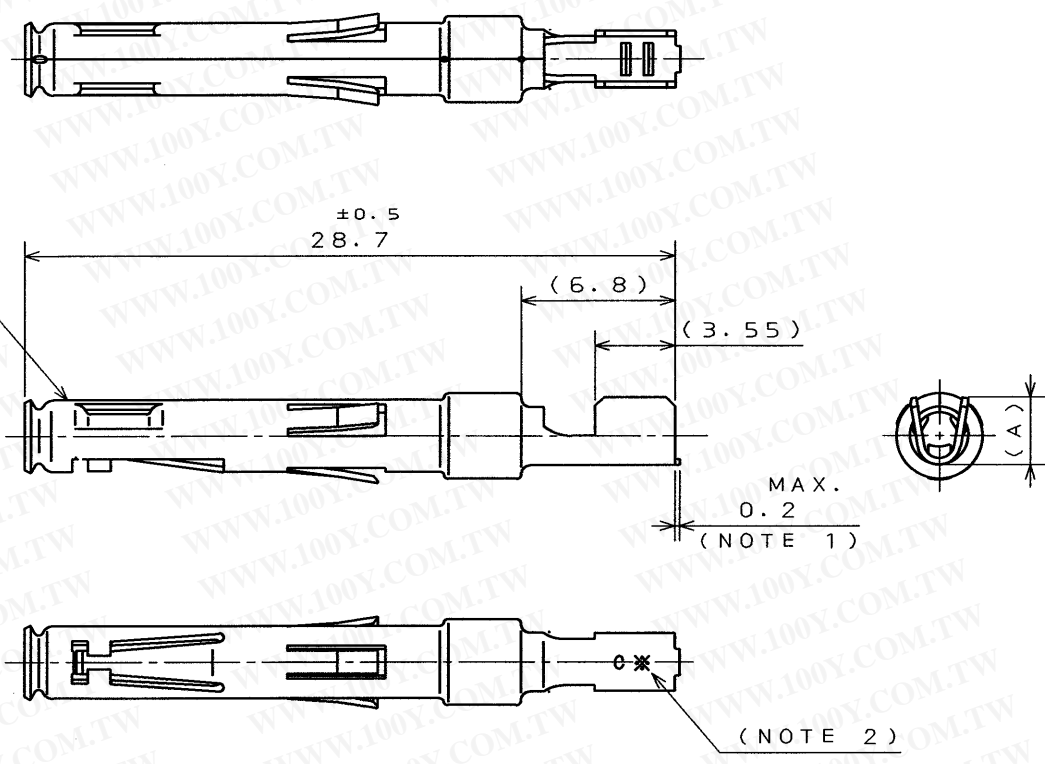


勝特力材料 886-3-5753170  
 勝特力电子(上海) 86-21-34970699  
 勝特力电子(深圳) 86-755-83298787  
 Http://www.100y.com.tw



NOTE 1. NO PLATING ON THE SHEARED EDGES OF CONTACT.  
 NOTE 2. CRIMP TYPE ARE MARKED AS INDICATED.  
 NOTE 3. APPLICABLE WIRE SIZE IS MENTIONED BELOW.

TABLE 1

CRIMP TYPE	APPLICABLE WIRE		DIMENSIONS
	WIRE SIZE	INSULATION OUTER DIA.	
C 1	AWG# 14~16 (1.25mm~2mm)	φ 3.8MAX.	3.7
C 2	AWG# 16~20 (1.25mm~0.5mm)	φ 3.8MAX.	3
C 3	AWG# 20~24 (0.5mm~0.2mm)	φ 3.8MAX.	2.2

1	#16 SOCKET CONTACT	1	COPPER ALLOY	SILVER PLATING	
ITEM	DESCRIPTION	Q'TY	MATERIAL	FINISH	REMARKS
UNLESS OTHERWISE SPECIFIED: T700142		DATE	TITLE		<b>JAE-CONNECTOR.COM</b> Reference Only JAPAN AVIATION ELECTRONICS INDUSTRY, LTD. MUSASHINO, AKISHIMA-SHI TOKYO, JAPAN DWG. NO. <b>SJ025425-E</b>
DIMENSIONS ARE IN MILLIMETERS		21. Apr. '95	ST-JL05-16S-C*		
		M. OOWA	(#16 SOCKET CONTACT) (INDIVIDUAL)		
TOLERANCES ON : (INCHES)		CHECKED			
		S. NANA O			
FRACTIONS	DECIMALS	ANGLES	APP'D	SERIES	SCALE
			T. MORITA	JL05	3/1
			M. Takagi		