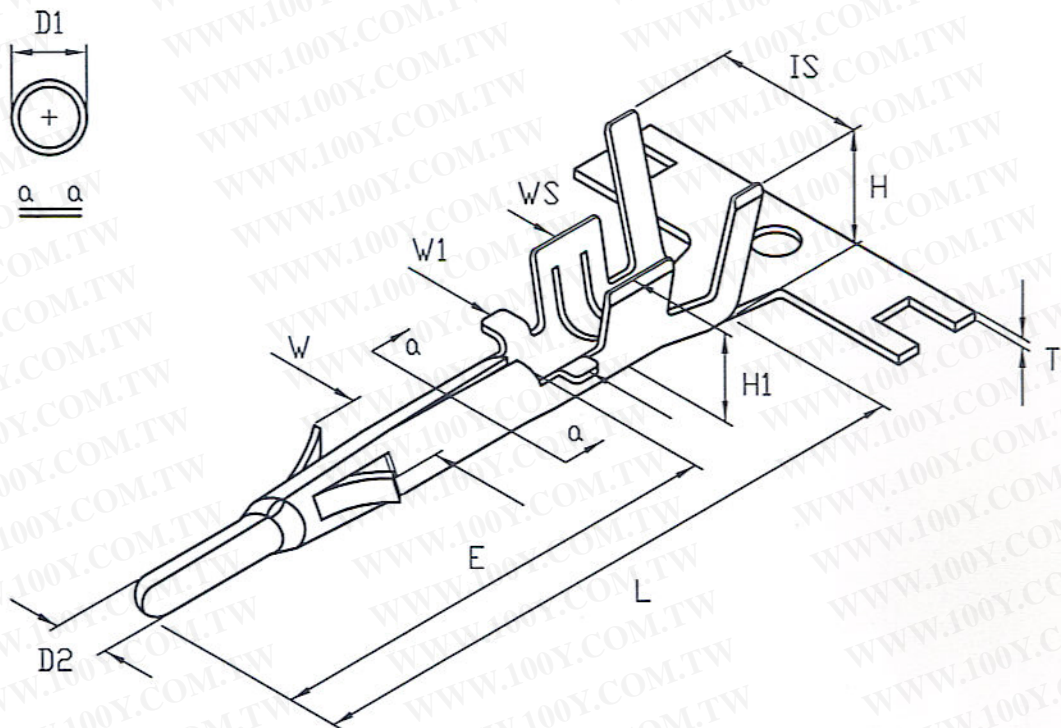




勝特力材料 886-3-5753170
 勝特力电子(上海) 86-21-34970699
 勝特力电子(深圳) 86-755-83298787
[Http://www.100y.com.tw](http://www.100y.com.tw)

DRAWING OF FINISHED PRODUCTS



ITEM NO: J1030BS-2EL

MATERIAL: BRASS

THICKNESS: 0.2

HARDNESS: SH

PLATING: TIN 40u' MIN

WIRE RANGE: (AWG) 18-24#

INSULATION D.D: 2.7

VOLTAGE RATING: AC, DC, 300V

CURRENT RATING: AC, DC, 5A

TEMPERATURE RANGE : -25°C TO +85°C

DIMENSION: (MM)

T: 0.2 ± 0.03

L: 18.1 ± 0.3

E: 11.6 ± 0.3

IS: 4.4 ± 0.3

WS: 2.7 ± 0.3

w: 3.15 ± 0.3

w1: 3.2 ± 0.25

H: 4.2 ± 0.25

H1: 2.6 ± 0.25

D1: $\phi 2.1 \pm 0.1$

D2: $\phi 1.3 \pm 0.05$

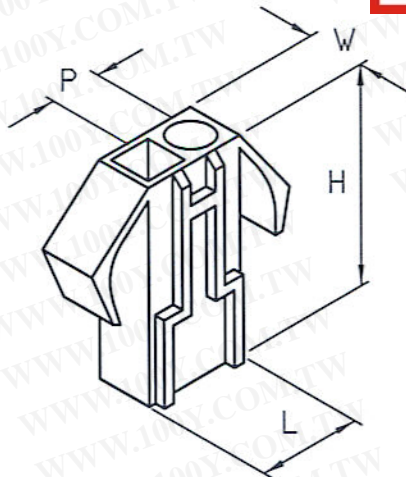
HANDLED BY

APPROVED BY



DRAWING OF FINISHED PRODUCTS

勝特力材料 886-3-5753170
勝特力电子(上海) 86-21-34970699
勝特力电子(深圳) 86-755-83298787
[Http://www.100y.com.tw](http://www.100y.com.tw)



ITEM NO:JP1030-2EL

MATE:J1030BS-2EL TERMINAL

MATERIAL:NYLON66 94V-0

RATED VOLTAGE:AC,DC,300V

VOLTAGE RATING:AC,DC,5A

INSULATION RESISTANCE:1.000M Ω MIN.

WITHSTAND VOLTAGE:1.500V AC/MINUTE

CONTACT RESISTANCE:10m Ω MAX.

TEMPERATURE RANG:-25°C TO +105°C

DIMENSION:(MM)

P:4.5 \pm 0.1

L:10.7 \pm 0.2

W:5.6 \pm 0.2

H:24.9 \pm 0.3

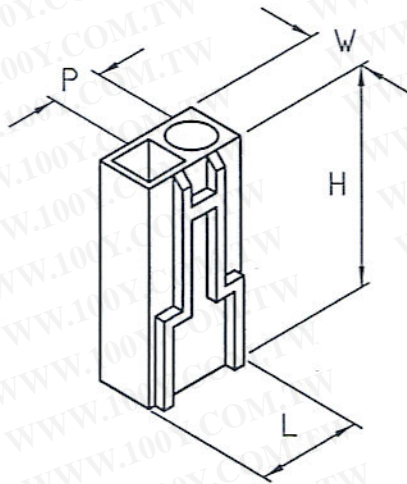
HANDLED BY

APPROVED BY



DRAWING OF FINISHED PRODUCTS

勝特力材料 886-3-5753170
勝特力电子(上海) 86-21-34970699
勝特力电子(深圳) 86-755-83298787
[Http://www.100y.com.tw](http://www.100y.com.tw)



ITEM NO:JP1030-2EL 無耳
MATE:J1030BS-2EL TERMINAL
MATERIAL:NYLON66 94V-0
RATED VOLTAGE:AC,DC,250V
VOLTAGE RATING:AC,DC,5A
INSULATION RESISTANCE:1.000M Ω MIN.
WITHSTAND VOLTAGE:1.500V AC/MINUTE
CONTACT RESISTANCE:10m Ω MAX.
TEMPERATURE RANG:-25°C TO +105°C

DIMENSION:(MM)

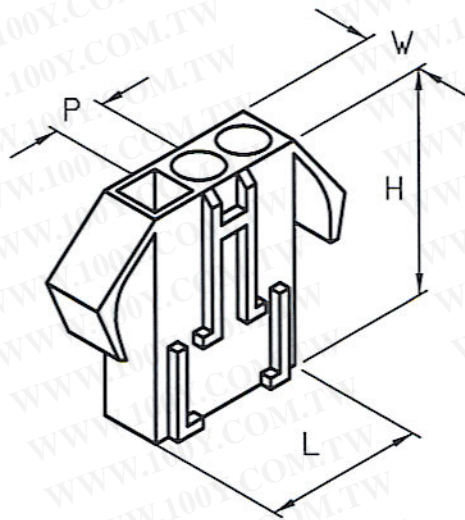
P:4.5 \pm 0.1
L:10.7 \pm 0.2
W:5.6 \pm 0.2
H:24.8 \pm 0.3

HANDLED BY

APPROVED BY

DRAWING OF FINISHED PRODUCTS

勝特力材料 886-3-5753170
 勝特力电子(上海) 86-21-34970699
 勝特力电子(深圳) 86-755-83298787
[Http://www.100y.com.tw](http://www.100y.com.tw)



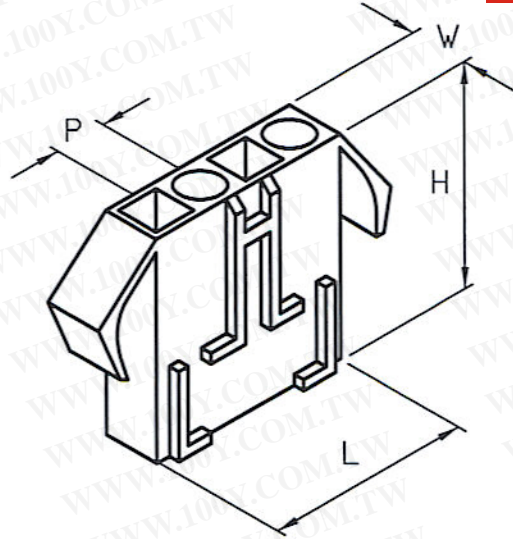
ITEM NO:JP1030-3EL
 MATE:J1030BS-2EL TERMINAL
 MATERIAL:NYLON66 94V-0
 RATED VOLTAGE:AC,DC,250V
 VOLTAGE RATING:AC,DC,5A
 INSULATION RESISTANCE:1.000M Ω MIN.
 WITHSTAND VOLTAGE:1.500V AC/MINUTE
 CONTACT RESISTANCE:10m Ω MAX.
 TEMPERATURE RANG:-25°C TO +105°C

DIMENSION:(MM)

P:4.5 \pm 0.1
 L:14.9 \pm 0.2
 W:5.6 \pm 0.2
 H:24.8 \pm 0.3

DRAWING OF FINISHED PRODUCTS

勝特力材料 886-3-5753170
 勝特力电子(上海) 86-21-34970699
 勝特力电子(深圳) 86-755-83298787
[Http://www.100y.com.tw](http://www.100y.com.tw)



ITEM NO:JP1030-4-1EL
 MATE:J1030BS-2EL TERMINAL
 MATERIAL:NYLON66 94V-0
 RATED VOLTAGE:AC,DC,250V
 VOLTAGE RATING:AC,DC,5A
 INSULATION RESISTANCE:1.000MΩMIN.
 WITHSTAND VOLTAGE:1.500V AC/MINUTE
 CONTACT RESISTANCE:10mΩ MAX.
 TEMPERATURE RANG:-25°C TO +105°C

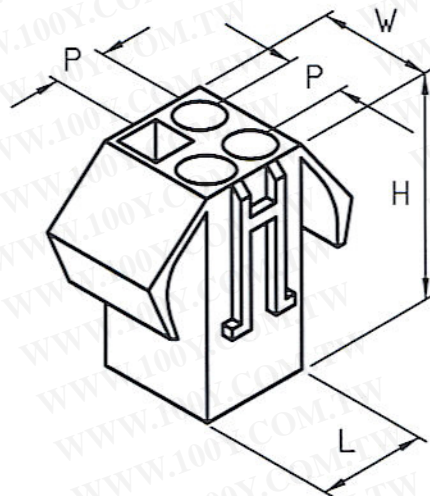
DIMENSION:(MM)

P:4.5±0.1
 L:19.4±0.2
 W:5.6±0.2
 H:24.6±0.3



DRAWING OF FINISHED PRODUCTS

勝特力材料 886-3-5753170
勝特力电子(上海) 86-21-34970699
勝特力电子(深圳) 86-755-83298787
[Http://www.100y.com.tw](http://www.100y.com.tw)



ITEM NO:JP1030-4EL

MATE:J1030BS-2EL TERMINAL

MATERIAL:NYLON66 94V-0

RATED VOLTAGE:AC,DC,250V

VOLTAGE RATING:AC,DC,5A

INSULATION RESISTANCE:1.000M Ω MIN.

WITHSTAND VOLTAGE:1.500V AC/MINUTE

CONTACT RESISTANCE:10m Ω MAX.

TEMPERATURE RANGE:-25°C TO +105°C

DIMENSION:(MM)

P:4.5 \pm 0.1

L:10.3 \pm 0.2

W:10.3 \pm 0.2

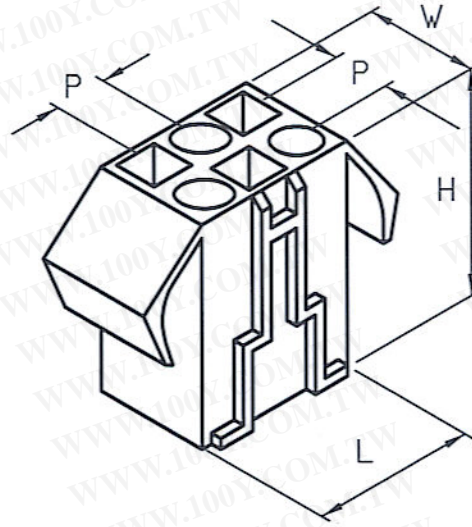
H:24.6 \pm 0.3

HANDLED BY

APPROVED BY

DRAWING OF FINISHED PRODUCTS

勝特力材料 886-3-5753170
 勝特力电子(上海) 86-21-34970699
 勝特力电子(深圳) 86-755-83298787
[Http://www.100y.com.tw](http://www.100y.com.tw)



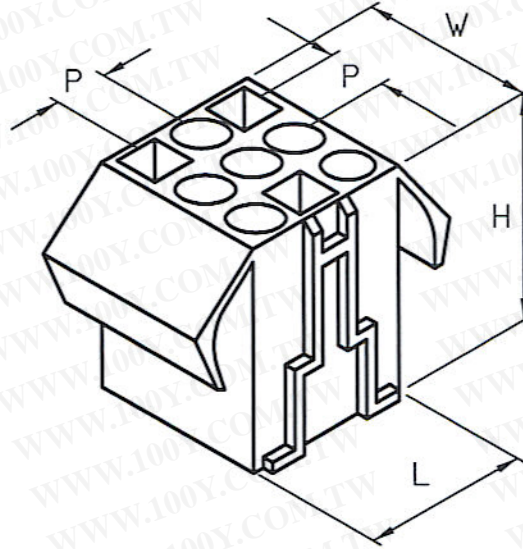
ITEM NO:JP1030-6EL
 MATE:J1030BS-2EL TERMINAL
 MATERIAL:NYLON66 94V-0
 RATED VOLTAGE:AC,DC,250V
 VOLTAGE RATING:AC,DC,5A
 INSULATION RESISTANCE:1.000M Ω MIN.
 WITHSTAND VOLTAGE:1.500V AC/MINUTE
 CONTACT RESISTANCE:10mΩ MAX.
 TEMPERATURE RANG:-25°C TO +105°C

DIMENSION:(MM)

P:4.5±0.1
 L:14.9±0.2
 W:10.3±0.2
 H:24.6±0.3

DRAWING OF FINISHED PRODUCTS

勝特力材料 886-3-5753170
 勝特力电子(上海) 86-21-34970699
 勝特力电子(深圳) 86-755-83298787
[Http://www.100y.com.tw](http://www.100y.com.tw)



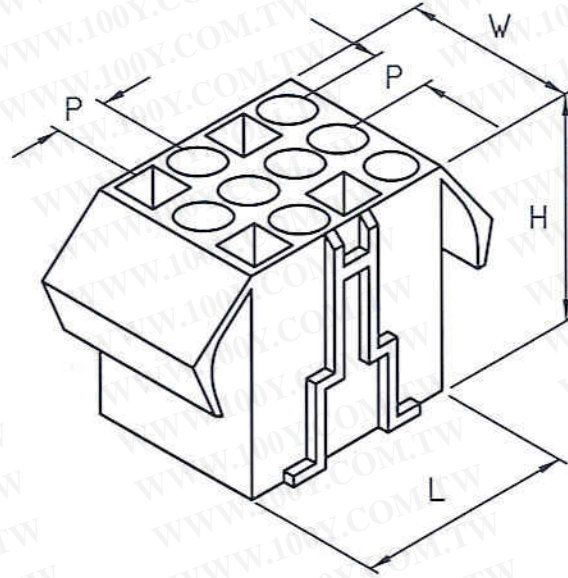
ITEM NO:JP1030-9EL
 MATE:J1030BS-2EL TERMINAL
 MATERIAL:NYLON66 94V-0
 RATED VOLTAGE:AC,DC,250V
 VOLTAGE RATING:AC,DC,5A
 INSULATION RESISTANCE:1.000MΩ MIN.
 WITHSTAND VOLTAGE:1.500V AC/MINUTE
 CONTACT RESISTANCE:10mΩ MAX.
 TEMPERATURE RANGE:-25°C TO +105°C

DIMENSION:(MM)

P:4.5±0.1
 L:15.2±0.2
 W:14.6±0.2
 H:24.8±0.3

DRAWING OF FINISHED PRODUCTS

勝特力材料 886-3-5753170
 勝特力电子(上海) 86-21-34970699
 勝特力电子(深圳) 86-755-83298787
[Http://www.100y.com.tw](http://www.100y.com.tw)



ITEM NO:JP1030-12EL
 MATE:J1030BS-2EL TERMINAL
 MATERIAL:NYLON66 94V-0
 RATED VOLTAGE:AC,DC,250V
 VOLTAGE RATING:AC,DC,5A
 INSULATION RESISTANCE:1.000M Ω MIN.
 WITHSTAND VOLTAGE:1.500V AC/MINUTE
 CONTACT RESISTANCE:10mΩ MAX.
 TEMPERATURE RANG:-25°C TO +105°C

DIMENSION:(MM)

P:4.5 ± 0.1

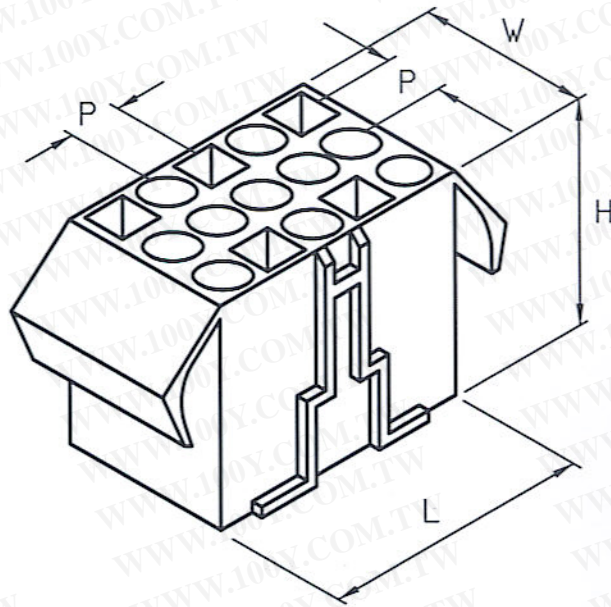
L:19.7 ± 0.2

W:14.7 ± 0.2

H:24.8 ± 0.3

DRAWING OF FINISHED PRODUCTS

勝特力材料 886-3-5753170
 勝特力电子(上海) 86-21-34970699
 勝特力电子(深圳) 86-755-83298787
[Http://www.100y.com.tw](http://www.100y.com.tw)



ITEM NO:JP1030-15EL
 MATE:J1030BS-2EL TERMINAL
 MATERIAL:NYLON66 94V-0
 RATED VOLTAGE:AC,DC,250V
 VOLTAGE RATING:AC,DC,5A
 INSULATION RESISTANCE:1.000MΩMIN.
 WITHSTAND VOLTAGE:1.500V AC/MINUTE
 CONTACT RESISTANCE:10mΩ MAX.
 TEMPERATURE RANG:-25°C TO +105°C

DIMENSION:(MM)
 P:4.5±0.1
 L:24.2±0.2
 W:14.7±0.2
 H:25.0±0.3