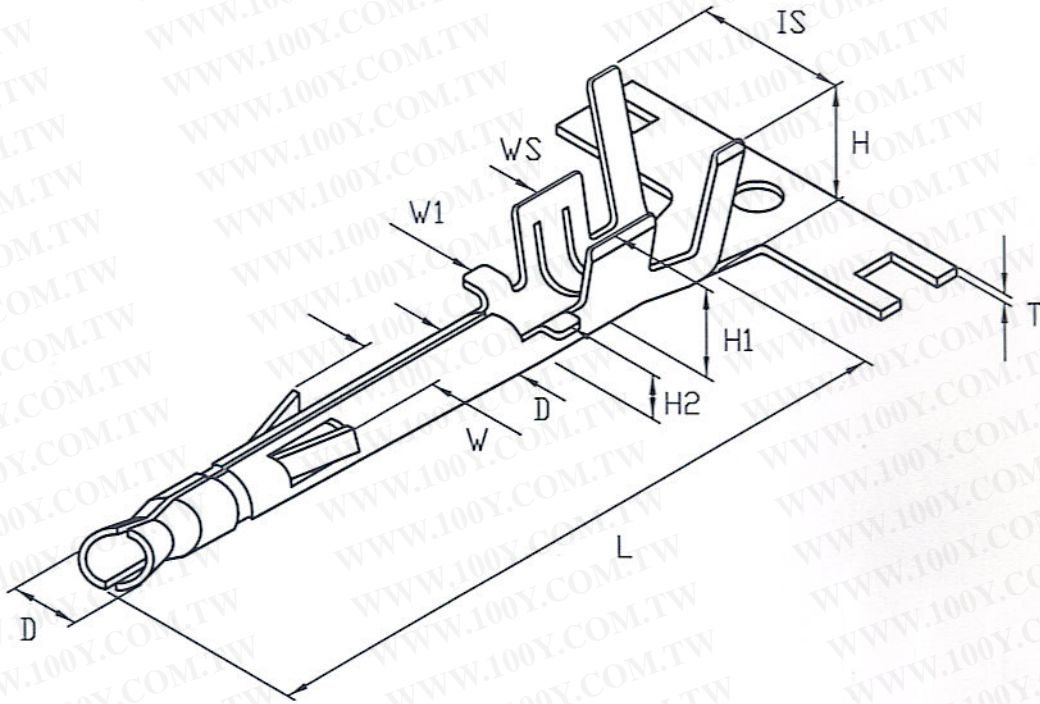




勝特力材料 886-3-5753170
勝特力电子(上海) 86-21-34970699
勝特力电子(深圳) 86-755-83298787
[Http://www.100y.com.tw](http://www.100y.com.tw)

DRAWING OF FINISHED PRODUCTS



ITEM NO:J1130BS-2EL

MATERIAL:BRASS

THICKNESS:0.2

HARDNESS:SH

PLATING:TIN 40 μ ' MIN

WIRE RANGE:(AWG)16-20 #

INSULATION O.D.:3.4 MAX.

VOLTAGE RATING:AC,DC,300V

CURRENT RATING:AC,DC,5A

TEMPERATURE RANG:-25°C TO +85°C

DIMENSION:(MM)

T:0.2 \pm 0.03

L:18.1 \pm 0.3

IS:4.6 \pm 0.35

WS:2.4 \pm 0.3

W1:3.0 \pm 0.25

W:3.7 \pm 0.25

H:4.25 \pm 0.25

H1:2.7 \pm 0.2

D: ϕ 2.1 \pm 0.15

D1: ϕ 1.95 \pm 0.15

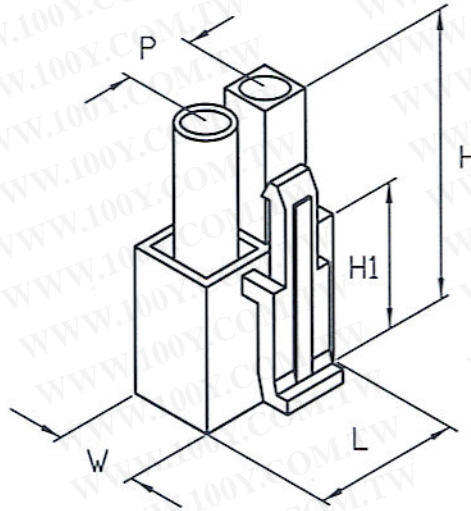
HANDLED BY

APPROVED BY



DRAWING OF FINISHED PRODUCTS

勝特力材料 886-3-5753170
勝特力电子(上海) 86-21-34970699
勝特力电子(深圳) 86-755-83298787
[Http://www.100y.com.tw](http://www.100y.com.tw)



ITEM NO:JP1130-2EL
MATE:J1130BS-2 TERMINAL
MATERIAL:NYLON66 94V-0
VOLTAGE RATING:AC,DC,300V
CURRENT RATING:AC,DC,5A
INSULATION RESISTANCE:1.000M Ω MIN.
WITHSTAND VOLTAGE:1.500V AC/MINUTE
CONTACT RESISTANCE:10m Ω MAX.
TEMPERATURE RANG:-25°C TO +105°C

DIMENSION:(MM)

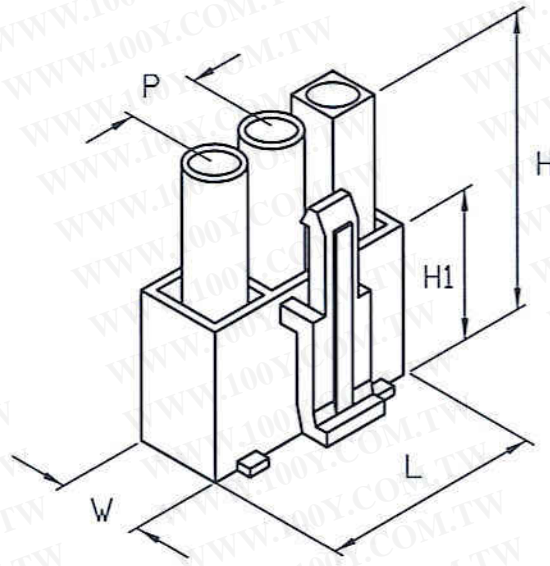
P:4.5 \pm 0.1
L:10.4 \pm 0.2
W:5.6 \pm 0.2
H:25.0 \pm 0.3
H1:15.0 \pm 0.3

HANDLED BY

APPROVED BY

DRAWING OF FINISHED PRODUCTS

勝特力材料 886-3-5753170
 勝特力电子(上海) 86-21-34970699
 勝特力电子(深圳) 86-755-83298787
[Http://www.100y.com.tw](http://www.100y.com.tw)

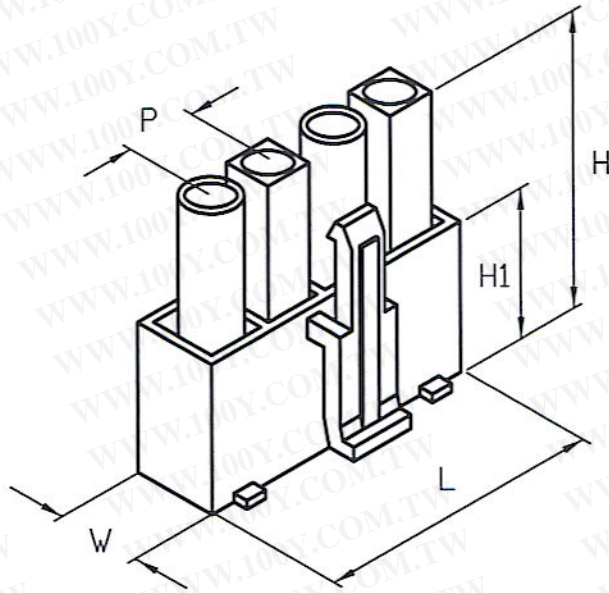


ITEM NO:JP1130-3EL
 MATE:J1130BS-2 TERMINAL
 MATERIAL:NYLON66 94V-0
 VOLTAGE RATING:AC,DC,250V
 CURRENT RATING:AC,DC,5A
 INSULATION RESISTANCE:1.000M Ω MIN.
 WITHSTAND VOLTAGE:1.500V AC/MINUTE
 CONTACT RESISTANCE:10mΩ MAX.
 TEMPERATURE RANG:-25°C TO +105°C

DIMENSION:(MM)
 P:4.5 ± 0.1
 L:15.0 ± 0.2
 W:5.8 ± 0.2
 H:25.0 ± 0.3
 H1:15.0 ± 0.3

DRAWING OF FINISHED PRODUCTS

勝特力材料 886-3-5753170
 勝特力电子(上海) 86-21-34970699
 勝特力电子(深圳) 86-755-83298787
[Http://www.100y.com.tw](http://www.100y.com.tw)



ITEM NO:JP1130-4-1EL
 MATE:J1130BS-2 TERMINAL
 MATERIAL:NYLON66 94V-0
 VOLTAGE RATING:AC,DC,250V
 CURRENT RATING:AC,DC,5A
 INSULATION RESISTANCE:1,000MΩ MIN.
 WITHSTAND VOLTAGE:1,500V AC/MINUTE
 CONTACT RESISTANCE:10mΩ MAX.
 TEMPERATURE RANG:-25°C TO +105°C

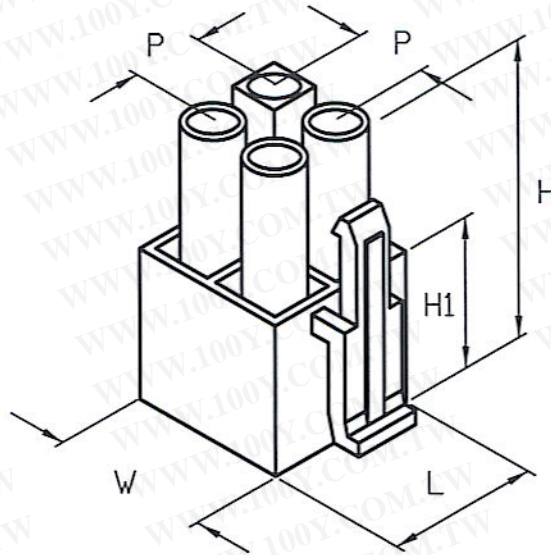
DIMENSION:(MM)

P:4.5 ± 0.1
 L:19.5 ± 0.2
 W:5.8 ± 0.2
 H:24.6 ± 0.3
 H1:14.6 ± 0.3



DRAWING OF FINISHED PRODUCTS

勝特力材料 886-3-5753170
勝特力电子(上海) 86-21-34970699
勝特力电子(深圳) 86-755-83298787
[Http://www.100y.com.tw](http://www.100y.com.tw)



ITEM NO:JP1130-4EL

MATE:J1130BS-2 TERMINAL

MATERIAL:NYLON66 94V-0

VOLTAGE RATING:AC,DC,250V

CURRENT RATING:AC,DC,5A

INSULATION RESISTANCE:1.000M Ω MIN.

WITHSTAND VOLTAGE:1.500V AC/MINUTE

CONTACT RESISTANCE:10m Ω MAX.

TEMPERATURE RANG:-25°C TO +105°C

DIMENSION:(MM)

P:4.5 \pm 0.1

L:10.4 \pm 0.2

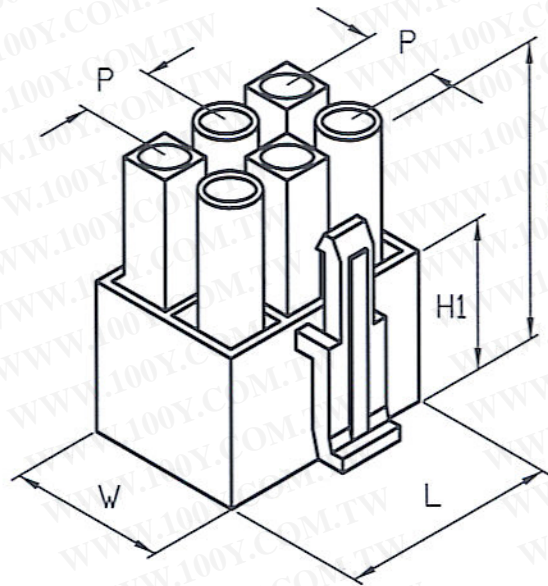
W:10.4 \pm 0.2

H:24.6 \pm 0.3

H1:14.6 \pm 0.3

DRAWING OF FINISHED PRODUCTS

勝特力材料 886-3-5753170
 勝特力电子(上海) 86-21-34970699
 勝特力电子(深圳) 86-755-83298787
[Http://www.100y.com.tw](http://www.100y.com.tw)



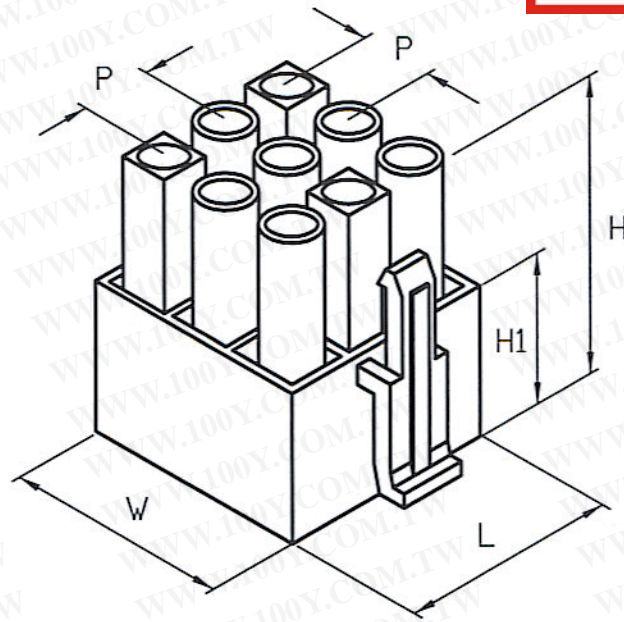
ITEM NO:JP1130-6EL
 MATE:J1130BS-2 TERMINAL
 MATERIAL:NYLON66 94V-0
 VOLTAGE RATING:AC,DC,250V
 CURRENT RATING:AC,DC,5A
 INSULATION RESISTANCE:1.000M Ω MIN.
 WITHSTAND VOLTAGE:1.500V AC/MINUTE
 CONTACT RESISTANCE:10m Ω MAX.
 TEMPERATURE RANG:-25°C TO +105°C

DIMENSION:(MM)

P:4.5 \pm 0.1
 L:14.9 \pm 0.2
 W:10.4 \pm 0.2
 H:24.6 \pm 0.3
 H1:14.6 \pm 0.3

DRAWING OF FINISHED PRODUCTS

勝特力材料 886-3-5753170
 勝特力电子(上海) 86-21-34970699
 勝特力电子(深圳) 86-755-83298787
[Http://www.100y.com.tw](http://www.100y.com.tw)



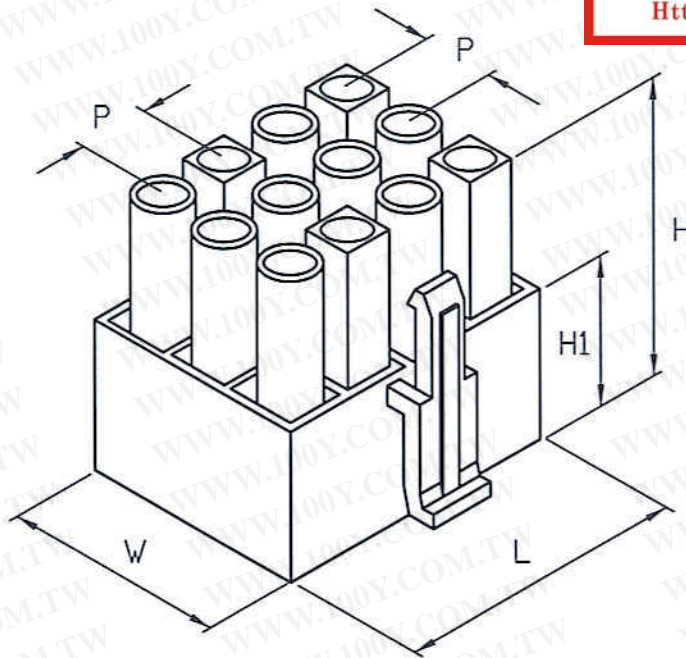
ITEM NO:JP1130-9EL
 MATE:J1130BS-2 TERMINAL
 MATERIAL:NYLON66 94V-0
 VOLTAGE RATING:AC,DC,250V
 CURRENT RATING:AC,DC,5A
 INSULATION RESISTANCE:1.000MΩMIN.
 WITHSTAND VOLTAGE:1.500V AC/MINUTE
 CONTACT RESISTANCE:10mΩ MAX.
 TEMPERATURE RANG:-25°C TO +105°C

DIMENSION:(MM)

P:4.5 ± 0.1
 L:14.9 ± 0.2
 W:14.9 ± 0.2
 H:24.6 ± 0.3
 H1:14.6 ± 0.3

DRAWING OF FINISHED PRODUCTS

勝特力材料 886-3-5753170
 勝特力电子(上海) 86-21-34970699
 勝特力电子(深圳) 86-755-83298787
[Http://www.100y.com.tw](http://www.100y.com.tw)



ITEM NO:JP1130-12EL

MATE:J1130BS-2 TERMINAL

MATERIAL:NYLON66 94V-0

VOLTAGE RATING:AC,DC,250V

CURRENT RATING:AC,DC,5A

INSULATION RESISTANCE:1.000M Ω MIN.

WITHSTAND VOLTAGE:1.500V AC/MINUTE

CONTACT RESISTANCE:10mΩ MAX.

TEMPERATURE RANG:-25°C TO +105°C

DIMENSION:(MM)

P:4.5 ± 0.1

L:19.5 ± 0.2

W:14.7 ± 0.2

H:25.0 ± 0.3

H1:15.0 ± 0.3

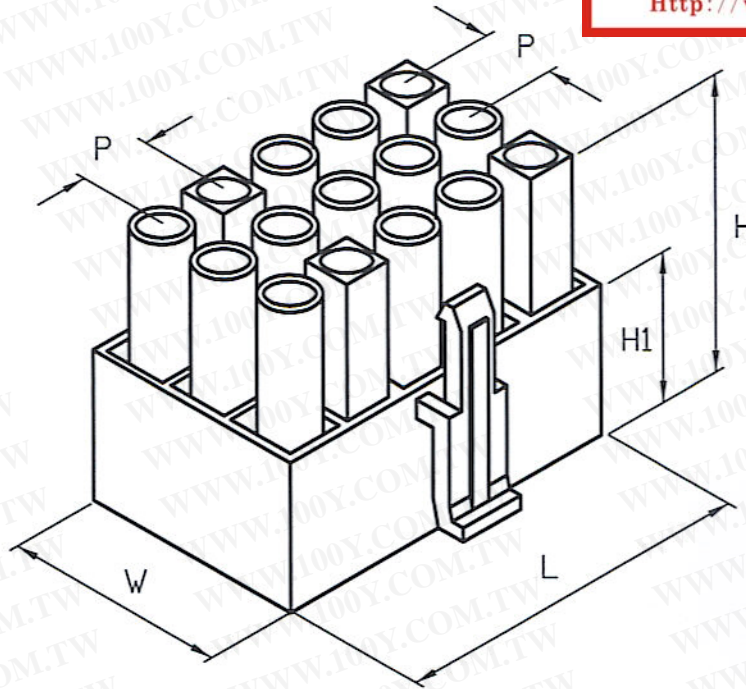
HANDLED BY

APPROVED BY



DRAWING OF FINISHED PRODUCTS

勝特力材料 886-3-5753170
勝特力电子(上海) 86-21-34970699
勝特力电子(深圳) 86-755-83298787
[Http://www.100y.com.tw](http://www.100y.com.tw)



ITEM NO:JP1130-15EL

MATE:J1130BS-2 TERMINAL

MATERIAL:NYLON66 94V-0

VOLTAGE RATING:AC,DC,250V

CURRENT RATING:AC,DC,5A

INSULATION RESISTANCE:1.000M Ω MIN.

WITHSTAND VOLTAGE:1.500V AC/MINUTE

CONTACT RESISTANCE:10m Ω MAX.

TEMPERATURE RANG:-25°C TO +105°C

DIMENSION:(MM)

P:4.5 \pm 0.1

L:24.2 \pm 0.2

W:14.7 \pm 0.2

H:25.0 \pm 0.3

H1:15.0 \pm 0.3