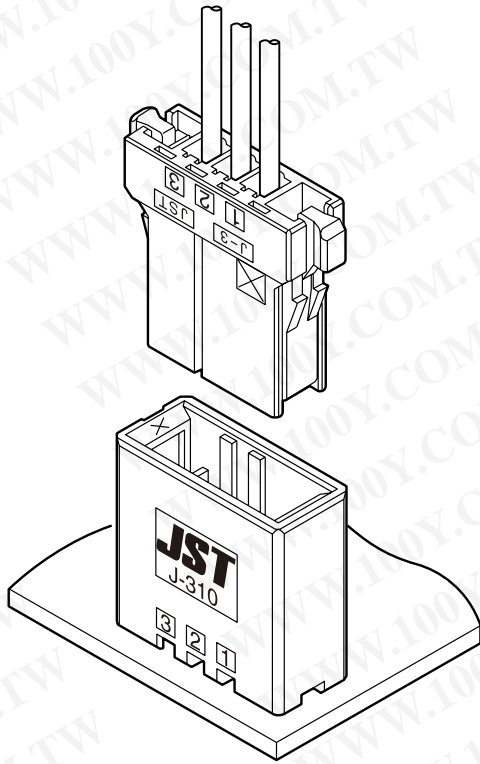


# JFA CONNECTOR J300 SERIES

3.81, 5.08mm pitch/Disconnectable Crimp style connectors(Wire-to-board/Wire-to-wire)



**Connectors for signal circuit or power supply circuit, applicable to the factory automation, heavy electric machinery, and other industrial equipment in general. In spite of the various kinds of housings available, their contacts are designed to be common. The applicable tooling can be standardized.**

- Double-spring construction
- Housing lances
- Secure locking method
- Recognition mark

## Specifications

- Current rating: 15A AC, DC (Single circuit/AWG #14)
- Voltage rating: 310, 340 series [3.81mm pitch] 250V AC, DC  
320, 350 series, 360T [5.08mm pitch] 600V AC, DC
- Temperature range: -55°C to +105°C  
(including temperature rise in applying electrical current)
- Contact resistance: Initial value/5mΩ max.  
After environmental testing/10mΩ max.
- Insulation resistance: 1,000MΩ min.
- Withstanding voltage:  
310, 340 series [3.81mm pitch] 1,500V AC/minute  
320, 350 series, 360T [5.08mm pitch] 2,200V AC/minute
- Applicable wire: AWG #28 to #14 (0.08 to 2.0mm<sup>2</sup>)
- Applicable PC board thickness: 1.6 to 2.4mm

\*Contact JST for details.

\*Compliant with RoHS.

## Current rating

Unit: A

Circuits	Wire size (AWG)							
	#14	#16	#18	#20	#22	#24	#26	#28
1	15.0	14.0	11.5	9.5	8.0	6.5	5.75	4.75
2	13.5	13.5	11.25	9.25	7.5	6.25	5.5	4.5
3	12.25	12.25	10.5	8.5	7.0	5.75	5.0	4.1
4	11.25	11.25	10.0	8.0	6.5	5.5	4.75	4.0
5	10.5	10.5	9.5	7.5	6.25	5.25	4.5	4.0
6	9.75	9.75	9.0	7.0	6.0	5.0	4.25	3.75
8	9.0	9.0	8.25	6.5	5.5	4.5	3.75	3.25
9	8.5	8.5	8.0	6.25	5.25	4.5	3.75	3.25
10	8.5	8.5	8.0	6.25	5.25	4.5	3.75	3.25
12	8.25	8.25	7.75	6.0	5.0	4.0	3.5	3.0
16	8.0	8.0	7.5	6.0	4.75	4.0	3.5	3.0
20	8.0	8.0	7.25	6.0	4.5	4.0	3.5	2.75

## Standards

Recognized E60389

Certified LR20812

R50133261

勝特力材料 886-3-5753170  
 勝特力电子(上海) 86-21-34970699  
 勝特力电子(深圳) 86-755-83298787  
[Http://www.100y.com.tw](http://www.100y.com.tw)

# JFA CONNECTOR/J300 SERIES

## List of J300 series products

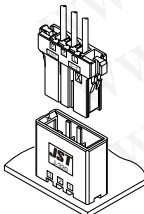
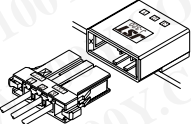
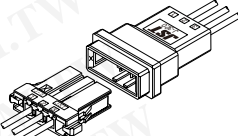
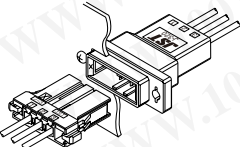
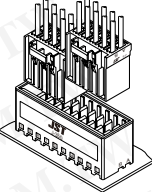
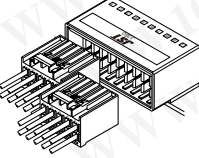
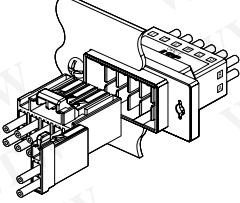
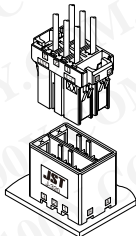
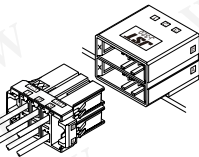
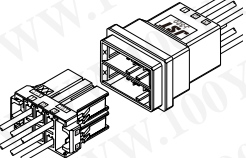
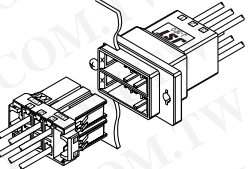
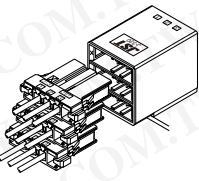
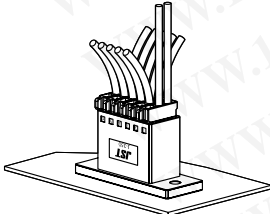
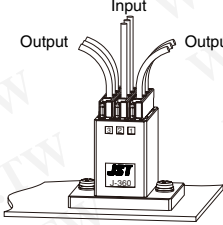
### 3.81mm pitch / Voltage rating 250V AC, DC

Type	Wire-to-board		Wire-to-wire	
	Top entry type	Side entry type	Free hanging type	Panel mounting type
<b>J310S</b> Single-row type				
Circuits	3, 4, 5, 6, 8, 10	3, 4, 5, 6, 8, 10	3, 5, 8, 10	3, 5, 8, 10
<b>J310D</b> Double-row type [line pitch 5.08mm]				
Circuits	6, 8, 10, 12, 16, 20	6, 8, 10, 12, 16, 20	6, 8, 10, 12, 16, 20	6, 8, 10, 12, 16, 20
<b>J310M</b> Double-row module type [line pitch 7.62mm]				
Circuits	6	6		
<b>J340F</b> Four-row type [line pitch 5.08mm]				
Circuits		12, 20		
—				
Circuits				

# JFA CONNECTOR/J300 SERIES

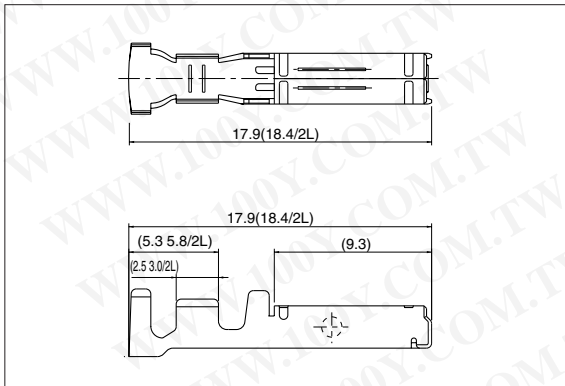
## List of J300 series products

5.08mm pitch / Voltage rating 600V AC, DC

Wire-to-board		Wire-to-wire		Type
Top entry type	Side entry type	Free hanging type	Panel mounting type	
				<b>J320S</b> Single-row type
2, 3, 4, 5, 6	2, 3, 4, 5, 6	1, 2, 3, 4	1, 2, 3, 4	
				<b>J350D</b> Double-row type [line pitch 5.08mm]
12, 20	12, 20		12	
				<b>J320M</b> Double-row module type [line pitch 7.62mm]
6, 10, 12	6, 8, 10, 12	6, 12	6, 12, 20	
				<b>J320T</b> Triple-row module type [line pitch 7.62mm]
	9			
Double-row common type (J350DC)		Triple-row common type (J360T)		<b>J350DC</b> <b>J360T</b> Common type
	(line pitch 5.08mm)		(line pitch 6.5mm)	
12		9, 18, 24		Circuits

# JFA CONNECTOR/J300 SERIES

## Receptacle contact



Model No.		Applicable wire			Insulation O.D.	Q'ty	
Strip contact	Loose piece	Nominal	mm <sup>2</sup>	AWG#	(mm)	reel	Box/Loose piece
SF3F-002 (*) -P2.0	BF3F-002 (*) -P2.0	S	0.08~0.20	28~24	0.8~1.4	3,700	1,000
SF3F-01 (*) -P2.0	BF3F-01 (*) -P2.0	M	0.20~0.50	24~20	1.2~2.6	3,700	1,000
SF3F-41 (*) -P2.0	LF3F-41 (*) -P2.0	L	0.50~1.25	20~16	1.8~2.8	3,200	1,000
*SF3F-71 (*) -P2.0	*BF3F-71 (*) -P2.0	2L	1.25~2.0	16~14	2.4~3.4	3,200	1,000

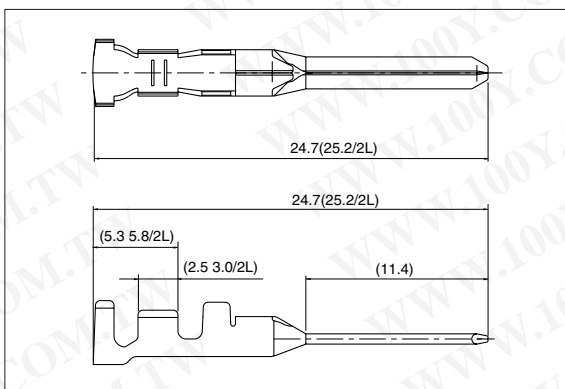
### Material and Finish

Copper alloy (superior conductivity), nickel-underplated, selective gold-plated tin-plated (reflow treatment)

### RoHS compliance

Note: 1. Finish (\*): GF...Nickel-undercoated, 0.38 μm selective gold-plated  
 Gl...Nickel-undercoated, 0.76 μm selective gold-plated  
 T.....Tin-plated  
 2. \*Marked products are not CSA/TÜV approved.

## Tab contact



Model No.		Applicable wire			Insulation O.D.	Q'ty	
Strip contact	Loose piece	Nominal	mm <sup>2</sup>	AWG#	(mm)	reel	Box/Loose piece
Under planning	Under planning	S	0.08~0.20	28~24	0.8~1.4	—	—
SF3M-01 (*) -M2.0N	BF3M-01 (*) -M2.0N	M	0.20~0.50	24~20	1.2~2.6	3,500	1,000
SF3M-41 (*) -M2.0N	LF3M-41 (*) -M2.0N	L	0.50~1.25	20~16	1.8~2.8	3,300	1,000
*SF3M-71 (*) -M2.0N	*BF3M-71 (*) -M2.0N	2L	1.25~2.0	16~14	2.4~3.4	3,200	1,000

### Material and Finish

Copper alloy (superior conductivity), nickel-underplated, selective gold-plated tin-plated (reflow treatment)

### RoHS compliance

Note: 1. Finish (\*): GF...Nickel-undercoated, 0.38 μm selective gold-plated  
 Gl...Nickel-undercoated, 0.76 μm selective gold-plated  
 T.....Tin-plated  
 2. \*Marked products are not CSA/TÜV approved.

## Crimping machine, Applicator

Strip contact Model No.	Crimping machine	Crimp applicator	Dies	Crimp applicator with dies	Hand crimp tools
SF3F-002 (*) -P2.0	AP-K2N	MKS-L	MK/SF3F-002-20	APLMK SF3F/M002-20	YRK-8821
SF3F-01 (*) -P2.0			MK/SF3F/M-01-20	APLMK SF3F/M01-20	YRK-8811
SF3F-41 (*) -P2.0			MK/SF3F/M-41-20	APLMK SF3F/M41-20	YRK-8801
SF3M-41 (*) -M2.0N			MK/SF3F/M-71-20	APLMK SF3F/M71-20	YRK-1071
SF3F-71 (*) -P2.0					
SF3M-71 (*) -M2.0N					

Note: Finish (\*): GF...Nickel-undercoated, 0.38 μm selective gold-plated  
 Gl...Nickel-undercoated, 0.76 μm selective gold-plated  
 T.....Tin-plated

Loose piece	Hand crimp tools
BF3F-002 (*) -P2.0	YRF-882
BF3F-01 (*) -P2.0	YRF-881
BF3M-01 (*) -M2.0N	
LF3F-41 (*) -P2.0	YRF-880
LF3M-41 (*) -M2.0N	
BF3F-71 (*) -P2.0	YRF-1070
BF3M-71 (*) -M2.0N	YRF-1071

Note: Finish (\*): GF...Nickel-undercoated, 0.38 μm selective gold-plated  
 Gl...Nickel-undercoated, 0.76 μm selective gold-plated  
 T.....Tin-plated

- Extraction tool for J300 series: EJ-JFAJ3
- Refer to page 15, 16 for details of YRK series hand crimping tools that uses a strip contact.

## Recognition mark

### Plating of the contact

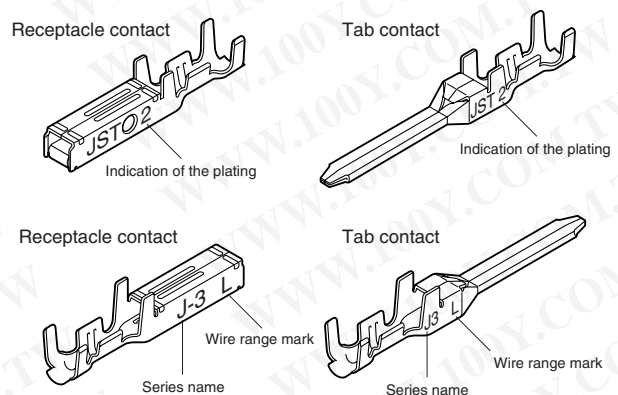
Each contact has a marking on its side so that the type or thickness of the plating is recognized.

- ex. 2 ... gold-plated 0.38 μm thickness  
 3 ... gold-plated 0.76 μm thickness  
 5 ... tin-plated

### Common marking on the contact and its application tools

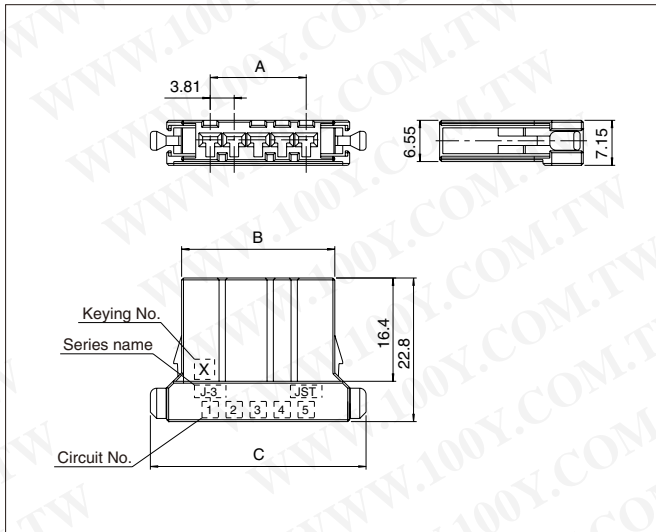
In order to avoid incorrect combination of the hand crimp tools or extraction tools and the contacts, the series name (for example J-3) and wire range mark (S, M, L, 2L) are shown on both the tools and the contacts.

- For example J-3 S..... AWG #28 ~ #24  
 M..... AWG #24 ~ #20  
 L..... AWG #20 ~ #16  
 2L.... AWG #16 ~ #14



# J300 SERIES/J310S

## Receptacle housing



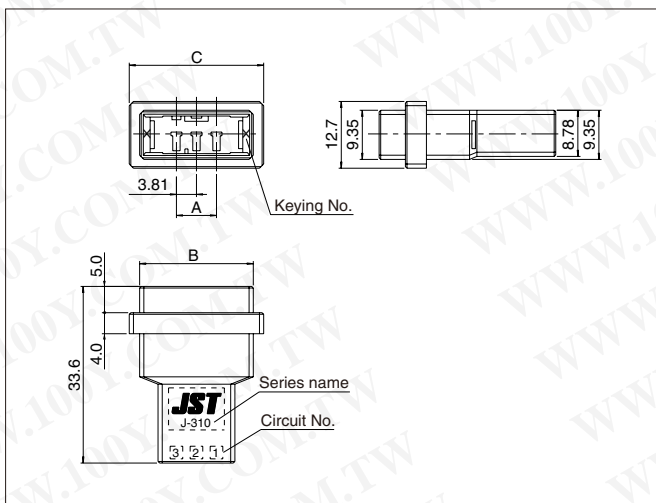
Circuits	Keying	Model No.	Dimensions (mm)			Q'ty / bag
			A	B	C	
3	X	F31FSS-03V-KX	7.62	16.70	26.62	200
	Y	F31FSS-03V-KY	7.62	16.70	26.62	200
4	X	F31FSS-04V-KX	11.43	20.51	30.43	200
	Y	F31FSS-04V-KY	11.43	20.51	30.43	200
5	X	F31FSS-05V-KX	15.24	24.32	34.24	200
	Y	F31FSS-05V-KY	15.24	24.32	34.24	200
6	X	F31FSS-06V-KX	19.05	28.13	38.05	200
	Y	F31FSS-06V-KY	19.05	28.13	38.05	200
8	X	F31FSS-08V-KX	26.67	35.75	45.67	100
	Y	F31FSS-08V-KY	26.67	35.75	45.67	100
10	X	F31FSS-10V-KX	34.29	43.37	53.29	100
	Y	F31FSS-10V-KY	34.29	43.37	53.29	100

### Material

Glass-filled PBT, UL94V-0, black

RoHS compliance

## Tab housing (Free hanging type)



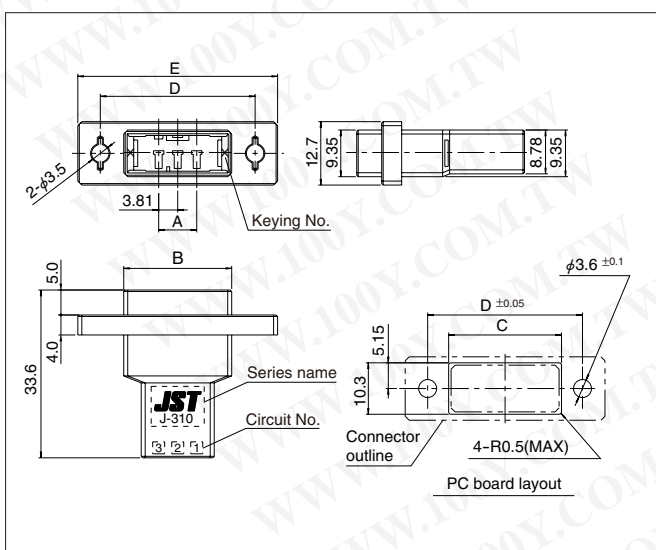
Circuits	Keying	Model No.	Dimensions (mm)			Q'ty / bag
			A	B	C	
3	X	F31MSF-03V-KX	7.62	21.62	25.57	200
	Y	F31MSF-03V-KY	7.62	21.62	25.57	200
5	X	F31MSF-05V-KX	15.24	29.24	33.19	200
	Y	F31MSF-05V-KY	15.24	29.24	33.19	200
8	X	F31MSF-08V-KX	26.67	40.67	44.62	100
	Y	F31MSF-08V-KY	26.67	40.67	44.62	100
10	X	F31MSF-10V-KX	34.29	48.29	52.24	100
	Y	F31MSF-10V-KY	34.29	48.29	52.24	100

### Material

Glass-filled PBT, UL94V-0, black

RoHS compliance

## Tab housing (Panel mounting type)



Circuits	Keying	Model No.	Dimensions (mm)					Q'ty / bag
			A	B	C	D	E	
3	X	F31MSP-03V-KX	7.62	21.62	22.60	31.00	40.00	200
	Y	F31MSP-03V-KY	7.62	21.62	22.60	31.00	40.00	200
5	X	F31MSP-05V-KX	15.24	29.24	30.20	38.00	47.00	200
	Y	F31MSP-05V-KY	15.24	29.24	30.20	38.00	47.00	200
8	X	F31MSP-08V-KX	26.67	40.67	41.60	50.00	59.00	100
	Y	F31MSP-08V-KY	26.67	40.67	41.60	50.00	59.00	100
10	X	F31MSP-10V-KX	34.29	48.29	49.20	58.00	67.00	100
	Y	F31MSP-10V-KY	34.29	48.29	49.20	58.00	67.00	100

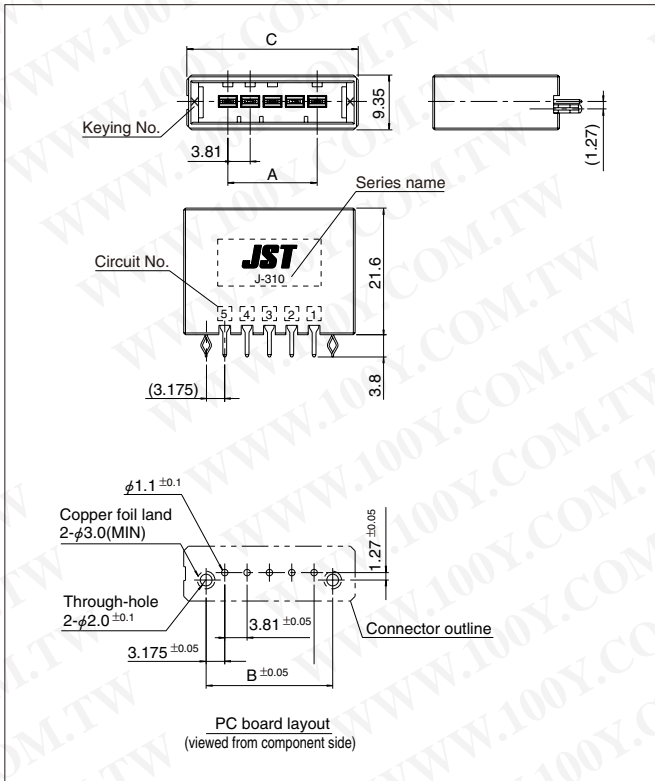
### Material

Glass-filled PBT, UL94V-0, black

RoHS compliance

# J300 SERIES/J310S

## Header (Top entry type)



Circuits	Keying	Model No.	Dimensions (mm)			Q'ty / box
			A	B	C	
3	X	<b>B03B-F31SK-GGXR</b>	7.62	13.97	21.62	220
	Y	<b>B03B-F31SK-GGYR</b>	7.62	13.97	21.62	220
4	X	<b>B04B-F31SK-GGXR</b>	11.43	17.78	25.43	180
	Y	<b>B04B-F31SK-GGYR</b>	11.43	17.78	25.43	180
5	X	<b>B05B-F31SK-GGXR</b>	15.24	21.59	29.24	160
	Y	<b>B05B-F31SK-GGYR</b>	15.24	21.59	29.24	160
6	X	<b>B06B-F31SK-GGXR</b>	19.05	25.40	33.05	140
	Y	<b>B06B-F31SK-GGYR</b>	19.05	25.40	33.05	140
8	X	<b>B08B-F31SK-GGXR</b>	26.67	33.02	40.67	120
	Y	<b>B08B-F31SK-GGYR</b>	26.67	33.02	40.67	120
10	X	<b>B10B-F31SK-GGXR</b>	34.29	40.64	48.29	100
	Y	<b>B10B-F31SK-GGYR</b>	34.29	40.64	48.29	100

### Material and Finish

Tab contact: Copper alloy, nickel-undercoated, selective gold-plated

Housing: Glass-filled PBT, UL94V-0, black

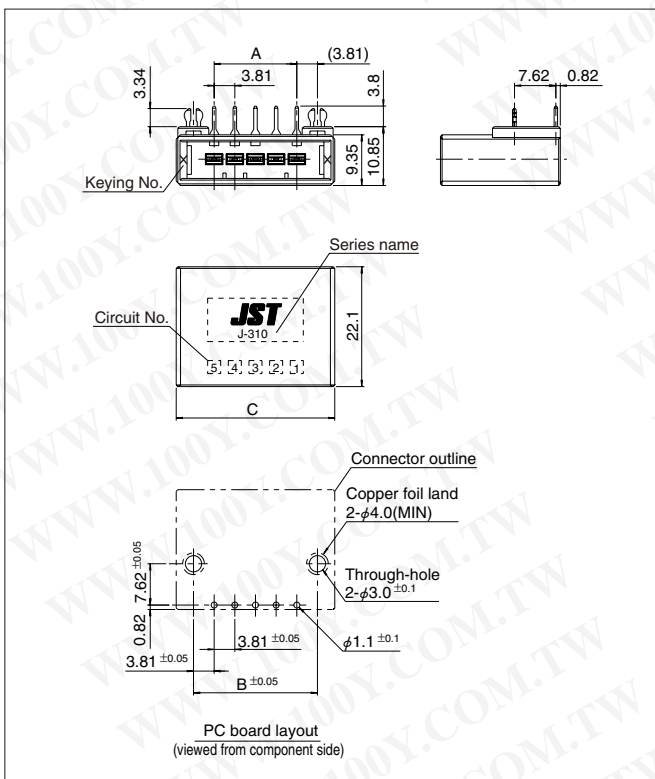
Reinforcing metal fixture: Copper alloy, nickel-undercoated, selective gold-plated

**RoHS compliance** This product displays (LF)(AU) on a label.

Note: 1. Contact JST for the headers supplied in magazine stick.

2. Contact JST for 0.76 μm gold-plated product and tin-plated product.

## Header (Side entry type)



Circuits	Keying	Model No.	Dimensions (mm)			Q'ty / box
			A	B	C	
3	X	<b>S03B-F31SK-GGXR</b>	7.62	15.24	21.62	165
	Y	<b>S03B-F31SK-GGYR</b>	7.62	15.24	21.62	165
4	X	<b>S04B-F31SK-GGXR</b>	11.43	19.05	25.43	135
	Y	<b>S04B-F31SK-GGYR</b>	11.43	19.05	25.43	135
5	X	<b>S05B-F31SK-GGXR</b>	15.24	22.86	29.24	120
	Y	<b>S05B-F31SK-GGYR</b>	15.24	22.86	29.24	120
6	X	<b>S06B-F31SK-GGXR</b>	19.05	26.67	33.05	105
	Y	<b>S06B-F31SK-GGYR</b>	19.05	26.67	33.05	105
8	X	<b>S08B-F31SK-GGXR</b>	26.67	34.29	40.67	90
	Y	<b>S08B-F31SK-GGYR</b>	26.67	34.29	40.67	90
10	X	<b>S10B-F31SK-GGXR</b>	34.29	41.91	48.29	75
	Y	<b>S10B-F31SK-GGYR</b>	34.29	41.91	48.29	75

### Material and Finish

Tab contact: Copper alloy, nickel-undercoated, selective gold-plated

Housing: Glass-filled PBT, UL94V-0, black

Reinforcing metal fixture: Copper alloy, nickel-undercoated, selective gold-plated

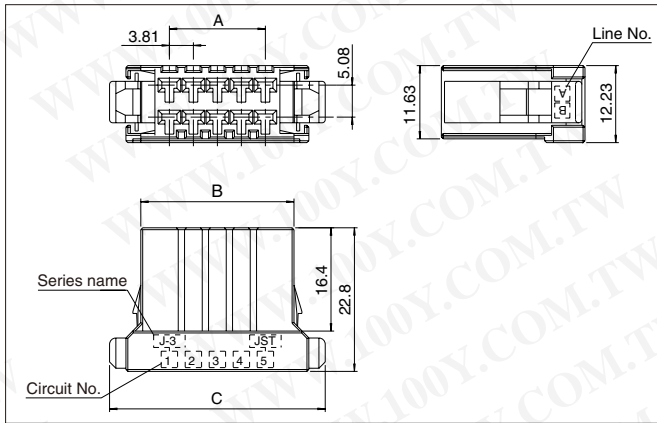
**RoHS compliance** This product displays (LF)(AU) on a label.

Note: 1. Contact JST for the headers supplied in magazine stick.

2. Contact JST for 0.76 μm gold-plated product and tin-plated product.

# J300 SERIES/J310D

## Receptacle housing



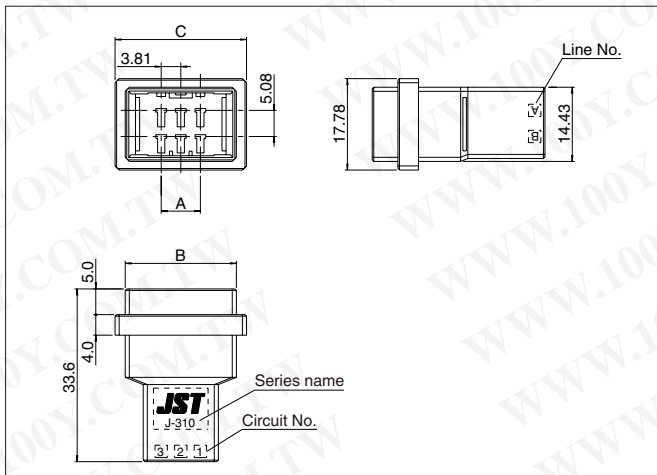
Circuits	Keying	Model No.	Dimensions (mm)			Q'ty / bag
			A	B	C	
6	—	<b>F31FDS-06V-K</b>	7.62	16.70	26.62	200
8	—	<b>F31FDS-08V-K</b>	11.43	20.51	30.43	100
10	—	<b>F31FDS-10V-K</b>	15.24	24.32	34.24	100
12	—	<b>F31FDS-12V-K</b>	19.05	28.13	38.05	100
16	—	<b>F31FDS-16V-K</b>	26.67	35.75	45.67	100
20	—	<b>F31FDS-20V-K</b>	34.29	43.37	53.29	100

### Material

Glass-filled PBT, UL94V-0, black

### RoHS compliance

## Tab housing (Free hanging type)



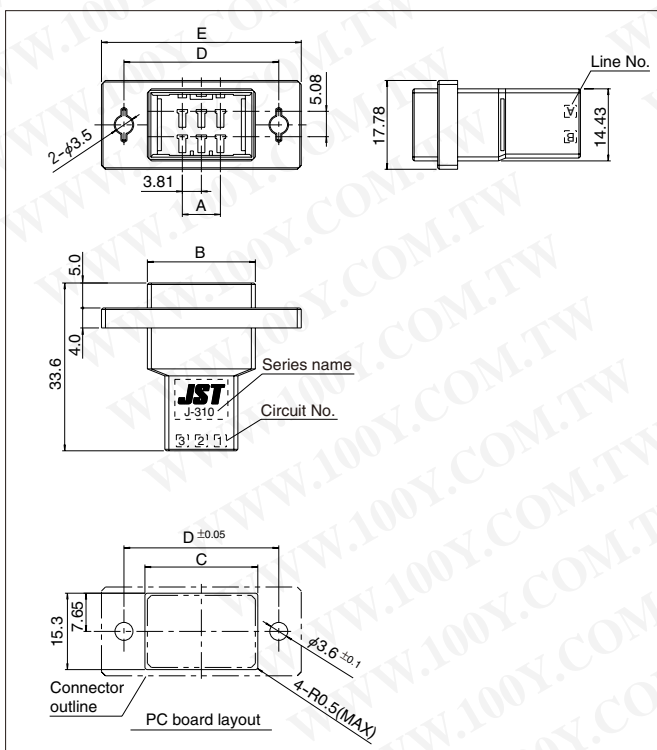
Circuits	Keying	Model No.	Dimensions (mm)			Q'ty / bag
			A	B	C	
6	—	<b>F31MDF-06V-K</b>	7.62	21.62	25.57	200
8	—	<b>F31MDF-08V-K</b>	11.43	25.43	29.38	100
10	—	<b>F31MDF-10V-K</b>	15.24	29.24	33.19	100
12	—	<b>F31MDF-12V-K</b>	19.05	33.05	37.00	100
16	—	<b>F31MDF-16V-K</b>	26.67	40.67	44.62	100
20	—	<b>F31MDF-20V-K</b>	34.29	48.29	52.24	100

### Material

Glass-filled PBT, UL94V-0, black

### RoHS compliance

## Tab housing (Panel mounting type)



Circuits	Keying	Model No.	Dimensions (mm)					Q'ty / bag
			A	B	C	D	E	
6	—	<b>F31MDP-06V-K</b>	7.62	21.62	22.60	31.00	40.00	200
8	—	<b>F31MDP-08V-K</b>	11.43	25.43	26.40	34.50	43.50	100
10	—	<b>F31MDP-10V-K</b>	15.24	29.24	30.20	38.00	47.00	100
12	—	<b>F31MDP-12V-K</b>	19.05	33.05	34.00	42.00	51.00	100
16	—	<b>F31MDP-16V-K</b>	26.67	40.67	41.60	50.00	59.00	100
20	—	<b>F31MDP-20V-K</b>	34.29	48.29	49.20	58.00	67.00	100

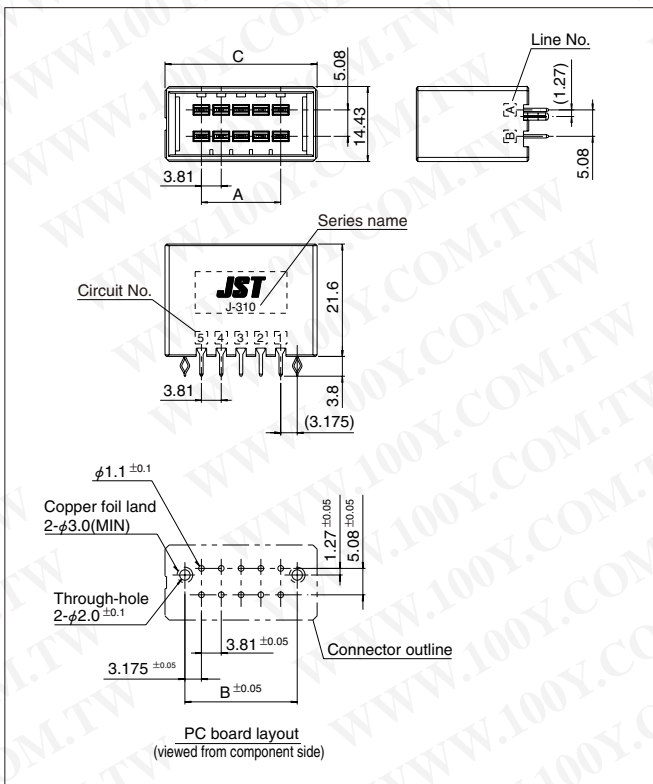
### Material

Glass-filled PBT, UL94V-0, black

### RoHS compliance

# J300 SERIES/J310D

## Header (Top entry type)



Circuits	Keying	Model No.	Dimensions (mm)			Q'ty / box
			A	B	C	
6	—	<b>B06B-F31DK-GGR</b>	7.62	13.97	21.62	132
8	—	<b>B08B-F31DK-GGR</b>	11.43	17.78	25.43	108
10	—	<b>B10B-F31DK-GGR</b>	15.24	21.59	29.24	96
12	—	<b>B12B-F31DK-GGR</b>	19.05	25.40	33.05	84
16	—	<b>B16B-F31DK-GGR</b>	26.67	33.02	40.67	72
20	—	<b>B20B-F31DK-GGR</b>	34.29	40.64	48.29	60

### Material and Finish

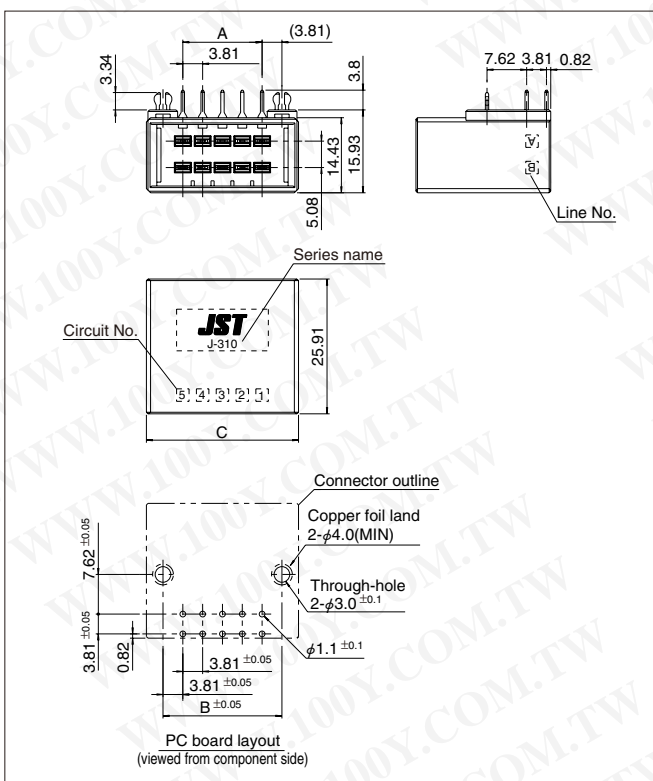
Tab contact: Copper alloy, nickel-undercoated, selective gold-plated  
Housing: Glass-filled PBT, UL94V-0, black  
Reinforcing metal fixture: Copper alloy, nickel-undercoated, selective gold-plated

**RoHS compliance** This product displays (LF) (AU) on a label.

Note: 1. Contact JST for the headers supplied in magazine stick.

2. Contact JST for 0.76 μm gold-plated product and tin-plated product.

## Header (Side entry type)



Circuits	Keying	Model No.	Dimensions (mm)			Q'ty / box
			A	B	C	
6	—	<b>S06B-F31DK-GGR</b>	7.62	15.24	21.62	88
8	—	<b>S08B-F31DK-GGR</b>	11.43	19.05	25.43	72
10	—	<b>S10B-F31DK-GGR</b>	15.24	22.86	29.24	64
12	—	<b>S12B-F31DK-GGR</b>	19.05	26.67	33.05	56
16	—	<b>S16B-F31DK-GGR</b>	26.67	34.29	40.67	48
20	—	<b>S20B-F31DK-GGR</b>	34.29	41.91	48.29	40

### Material and Finish

Tab contact: Copper alloy, nickel-undercoated, selective gold-plated  
Housing: Glass-filled PBT, UL94V-0, black  
Reinforcing metal fixture: Copper alloy, nickel-undercoated, selective gold-plated

**RoHS compliance** This product displays (LF) (AU) on a label.

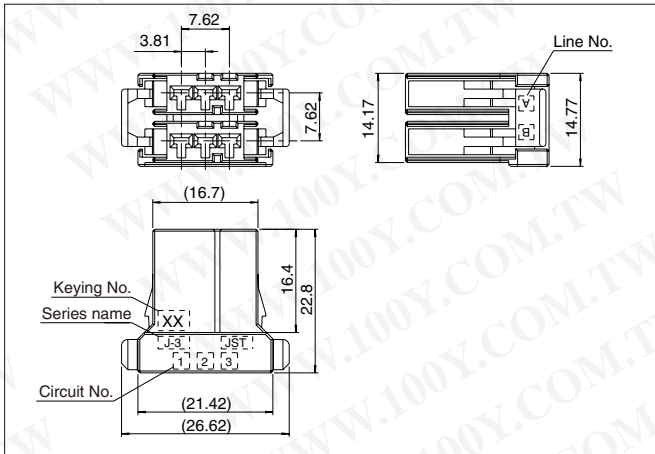
Note: 1. Contact JST for the headers supplied in magazine stick.

2. Contact JST for 0.76 μm gold-plated product and tin-plated product.



# J300 SERIES/J310M

## Receptacle housing



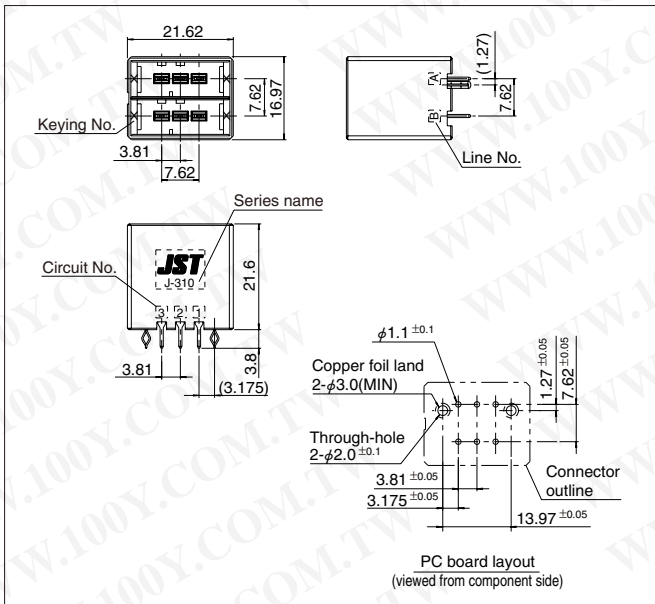
Circuits	Keying	Model No.	Q'ty / box
6	XX	<b>F31FMS-06V-KXX</b>	100
	YY	<b>F31FMS-06V-KYY</b>	100
	XY	<b>F31FMS-06V-KXY</b>	100

### Material

Glass-filled PBT, UL94V-0, black

### RoHS compliance

## Header (Top entry type)



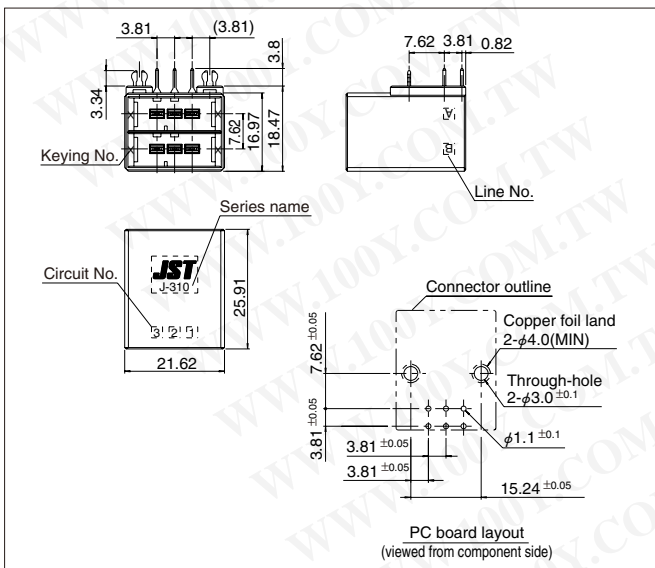
Circuits	Keying	Model No.	Q'ty / box
6	XX	<b>B06B-F31MK-GGXXR</b>	132
	YY	<b>B06B-F31MK-GGYR</b>	132
	XY	<b>B06B-F31MK-GGXYR</b>	132

### Material and Finish

Tab contact: Copper alloy, nickel-undercoated, selective gold-plated  
 Housing: Glass-filled PBT, UL94V-0, black  
 Reinforcing metal fixture: Copper alloy, nickel-undercoated, selective gold-plated

**RoHS compliance** This product displays (LF)(AU) on a label.  
 Note: 1. Contact JST for the headers supplied in magazine stick.  
 2. Contact JST for 0.76  $\mu$ m gold-plated product and tin-plated product.

## Header (Side entry type)



Circuits	Keying	Model No.	Q'ty / box
6	XX	<b>S06B-F31MK-GGXXR</b>	88
	YY	<b>S06B-F31MK-GGYR</b>	88
	XY	<b>S06B-F31MK-GGXYR</b>	88

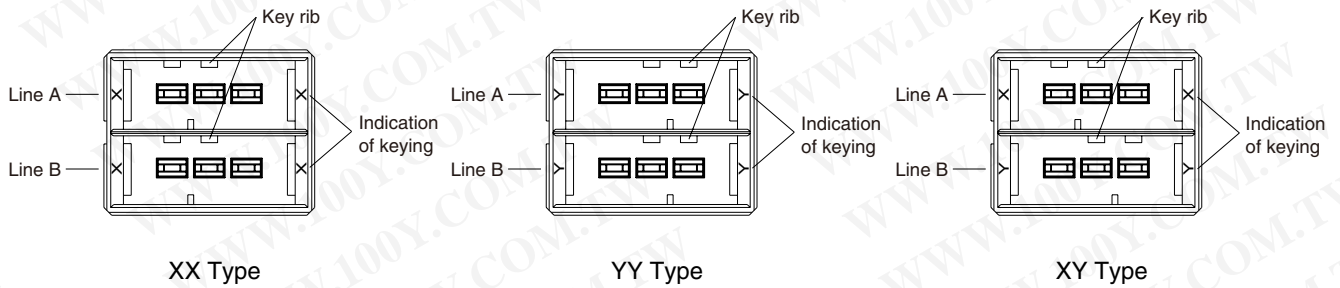
### Material and Finish

Tab contact: Copper alloy, nickel-undercoated, selective gold-plated  
 Housing: Glass-filled PBT, UL94V-0, black  
 Reinforcing metal fixture: Copper alloy, nickel-undercoated, selective gold-plated

**RoHS compliance** This product displays (LF)(AU) on a label.  
 Note: 1. Contact JST for the headers supplied in magazine stick.  
 2. Contact JST for 0.76  $\mu$ m gold-plated product and tin-plated product.

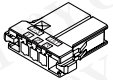
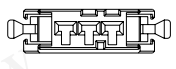

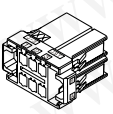
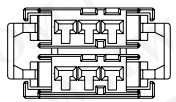
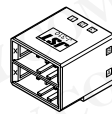
## Keying

J310M series have mis-insertion preventive keying.  
Available in 3 types — XX type, YY type and XY type.  
(Headers viewed from the mating side are shown below.)



## List of combinations

With the combination of the J310M headers and the J310M/J310S (3 circuits) receptacle housings, the following modular combinations are possible.

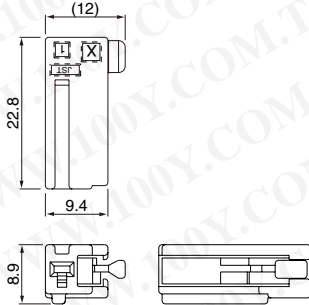
Receptacle housing		Header			
		Top entry type		Side entry type	
Single-row 3 circuits (J310S) 	X Type F31FSS-03V-KX		X Type B03B-F31SK-GGX■		X Type S03B-F31SK-GGX■
	Y Type F31FSS-03V-KY		Y Type B03B-F31SK-GGY■		Y Type S03B-F31SK-GGY■
Double-row 6 circuits (J310M) 	XX Type F31FMS-06V-KXX		XX Type B06B-F31MK-GGXX■		XX Type S06B-F31MK-GGXX■
	YY Type F31FMS-06V-KYY		YY Type B06B-F31MK-GGY■		YY Type S06B-F31MK-GGY■
	XY Type F31FMS-06V-KXY		XY Type B06B-F31MK-GGXY■		XY Type S06B-F31MK-GGXY■

Note: Packaging method is indicated in ■. (R=Tray)

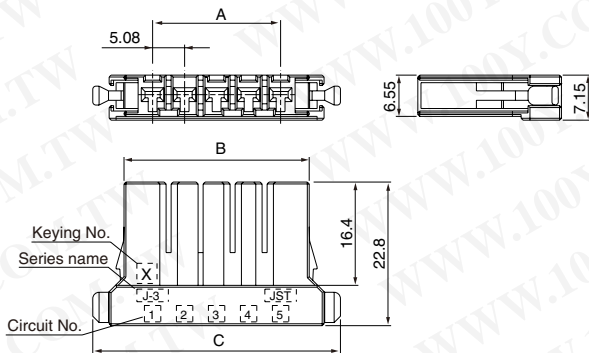
# J300 SERIES/J320S

## Receptacle housing

### • Single circuit



### • 2 to 6 circuits



Circuits	Keying	Model No.	Dimensions (mm)			Q'ty / bag
			A	B	C	
1	X	F32FSS-01V-KX	—	—	—	200
	Y	F32FSS-01V-KY	—	—	—	200
2	X	F32FSS-02V-KX	5.08	14.16	24.08	200
	Y	F32FSS-02V-KY	5.08	14.16	24.08	200
3	X	F32FSS-03V-KX	10.16	19.24	29.16	200
	Y	F32FSS-03V-KY	10.16	19.24	29.16	200
4	X	F32FSS-04V-KX	15.24	24.32	34.24	200
	Y	F32FSS-04V-KY	15.24	24.32	34.24	200
5	X	F32FSS-05V-KX	20.32	29.40	39.32	200
	Y	F32FSS-05V-KY	20.32	29.40	39.32	200
6	X	F32FSS-06V-KX	25.40	34.48	44.40	100
	Y	F32FSS-06V-KY	25.40	34.48	44.40	100

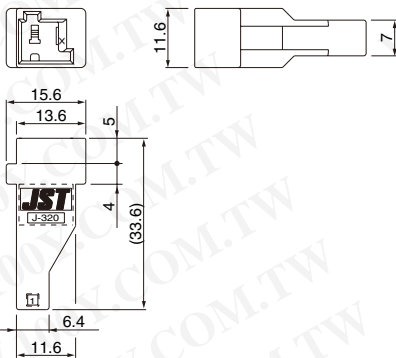
### Material

Glass-filled PBT, UL94V-0, black

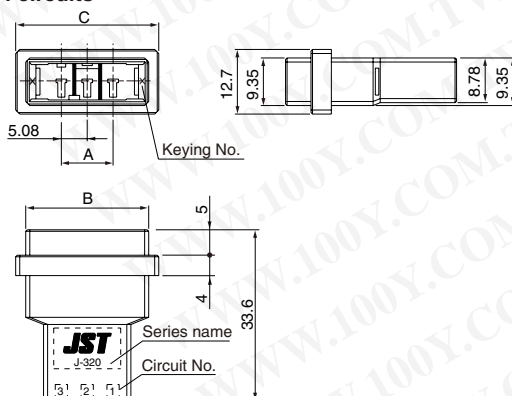
### RoHS compliance

## Tab housing (Free hanging type)

### • Single circuit



### • 2 to 4 circuits



Circuits	Keying	Model No.	Dimensions (mm)			Q'ty / bag
			A	B	C	
1	X	F32MSF-01V-KX	—	—	—	150
	Y	F32MSF-01V-KY	—	—	—	150
2	X	F32MSF-02V-KX	5.08	19.08	23.03	200
	Y	F32MSF-02V-KY	5.08	19.08	23.03	200
3	X	F32MSF-03V-KX	10.16	24.16	28.11	200
	Y	F32MSF-03V-KY	10.16	24.16	28.11	200
4	X	F32MSF-04V-KX	15.24	29.24	33.19	200
	Y	F32MSF-04V-KY	15.24	29.24	33.19	200

### Material

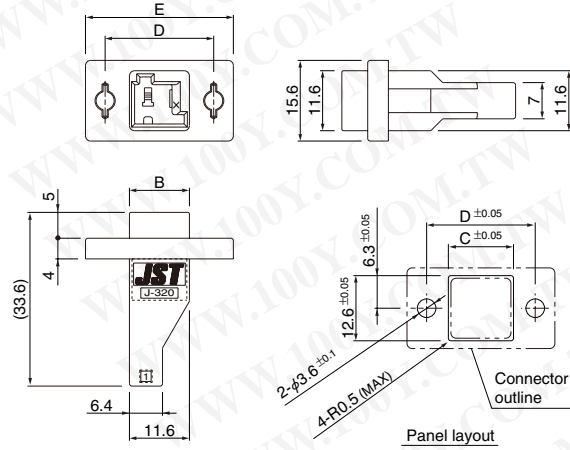
Glass-filled PBT, UL94V-0, black

### RoHS compliance

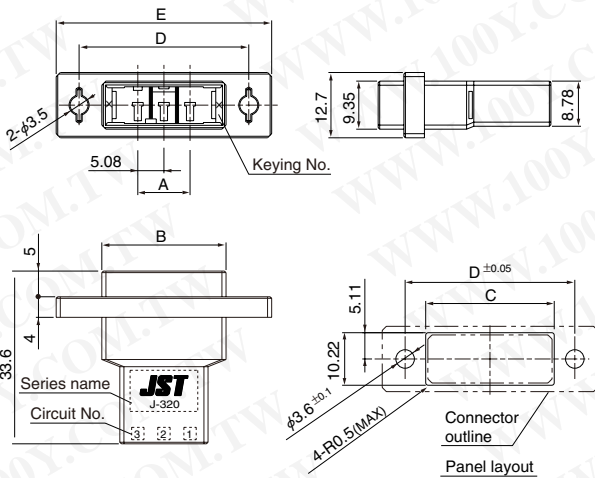
# J300 SERIES/J320S

## Tab housing (Panel mounting type)

### • Single circuit



### • 2 to 4 circuits



Circuits	Keying	Model No.	Dimensions (mm)					Q'ty / bag
			A	B	C	D	E	
1	X	F32MSP-01V-KX	—	11.60	12.60	21.00	28.60	150
	Y	F32MSP-01V-KY	—	11.60	12.60	21.00	28.60	150
2	X	F32MSP-02V-KX	5.08	19.08	20.00	28.00	36.83	200
	Y	F32MSP-02V-KY	5.08	19.08	20.00	28.00	36.83	200
3	X	F32MSP-03V-KX	10.16	24.16	25.00	33.00	41.91	200
	Y	F32MSP-03V-KY	10.16	24.16	25.00	33.00	41.91	200
4	X	F32MSP-04V-KX	15.24	29.24	30.00	38.00	46.99	200
	Y	F32MSP-04V-KY	15.24	29.24	30.00	38.00	46.99	200

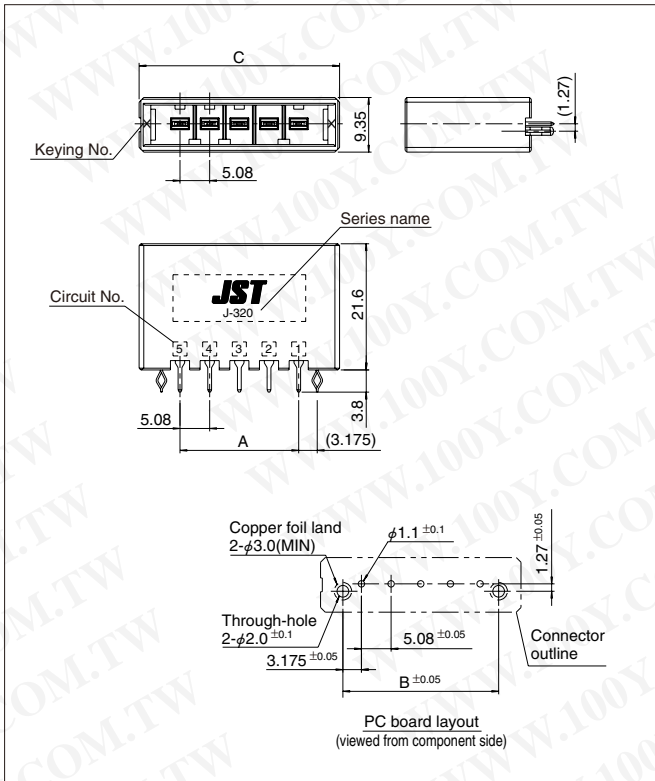
### Material

Glass-filled PBT, UL94V-0, black

RoHS compliance

# J300 SERIES/J320S

## Header (Top entry type)



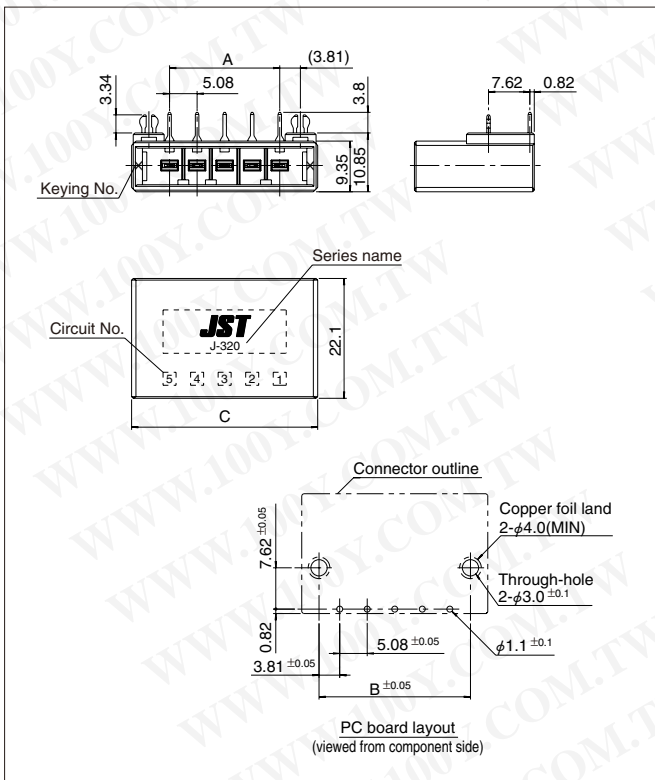
Circuits	Keying	Model No.	Dimensions (mm)			Q'ty / box
			A	B	C	
2	X	<b>B02B-F32SK-GGXR</b>	5.08	11.43	19.08	240
	Y	<b>B02B-F32SK-GGYR</b>	5.08	11.43	19.08	240
3	X	<b>B03B-F32SK-GGXR</b>	10.16	16.51	24.16	200
	Y	<b>B03B-F32SK-GGYR</b>	10.16	16.51	24.16	200
4	X	<b>B04B-F32SK-GGXR</b>	15.24	21.59	29.24	160
	Y	<b>B04B-F32SK-GGYR</b>	15.24	21.59	29.24	160
5	X	<b>B05B-F32SK-GGXR</b>	20.32	26.67	34.32	140
	Y	<b>B05B-F32SK-GGYR</b>	20.32	26.67	34.32	140
6	X	<b>B06B-F32SK-GGXR</b>	25.40	31.75	39.40	120
	Y	<b>B06B-F32SK-GGYR</b>	25.40	31.75	39.40	120

### Material and Finish

Tab contact: Copper alloy, nickel-undercoated, selective gold-plated  
Housing: Glass-filled PBT, UL94V-0, black  
Reinforcing metal fixture: Copper alloy, nickel-undercoated, selective gold-plated

**RoHS compliance** This product displays (LF)(AU) on a label.  
Note: 1. Contact JST for the headers supplied in magazine stick.  
2. Contact JST for 0.76 μm gold-plated product and tin-plated product.

## Header (Side entry type)



Circuits	Keying	Model No.	Dimensions (mm)			Q'ty / box
			A	B	C	
2	X	<b>S02B-F32SK-GGXR</b>	5.08	12.70	19.08	180
	Y	<b>S02B-F32SK-GGYR</b>	5.08	12.70	19.08	180
3	X	<b>S03B-F32SK-GGXR</b>	10.16	17.78	24.16	150
	Y	<b>S03B-F32SK-GGYR</b>	10.16	17.78	24.16	150
4	X	<b>S04B-F32SK-GGXR</b>	15.24	22.86	29.24	120
	Y	<b>S04B-F32SK-GGYR</b>	15.24	22.86	29.24	120
5	X	<b>S05B-F32SK-GGXR</b>	20.32	27.94	34.32	105
	Y	<b>S05B-F32SK-GGYR</b>	20.32	27.94	34.32	105
6	X	<b>S06B-F32SK-GGXR</b>	25.40	33.02	39.40	90
	Y	<b>S06B-F32SK-GGYR</b>	25.40	33.02	39.40	90

### Material and Finish

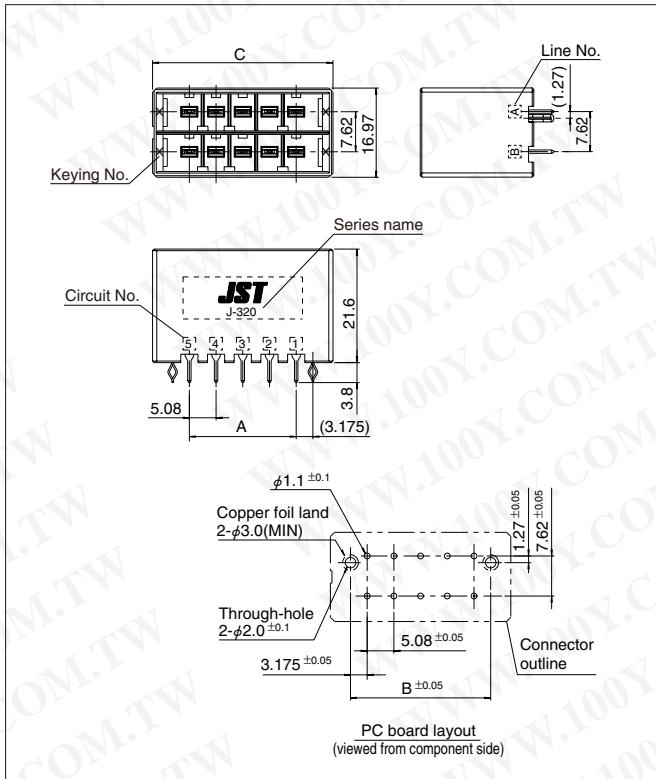
Tab contact: Copper alloy, nickel-undercoated, selective gold-plated  
Housing: Glass-filled PBT, UL94V-0, black  
Reinforcing metal fixture: Copper alloy, nickel-undercoated, selective gold-plated

**RoHS compliance** This product displays (LF)(AU) on a label.  
Note: 1. Contact JST for the headers supplied in magazine stick.  
2. Contact JST for 0.76 μm gold-plated product and tin-plated product.



# J300 SERIES/J320M

## Header (Top entry type)



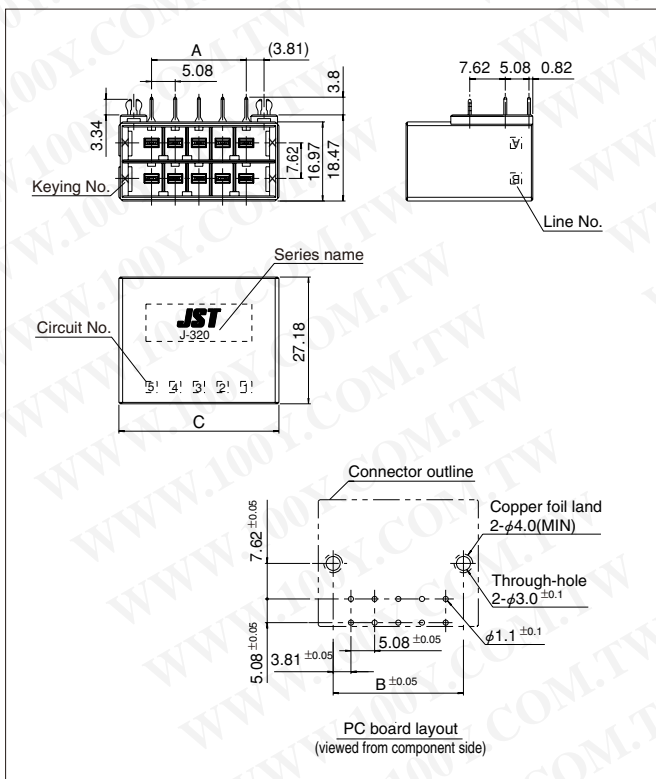
Circuits	Keying	Model No.	Dimensions (mm)			Q'ty / box
			A	B	C	
6	XX	B06B-F32MK-GGXXR	10.16	16.51	24.16	120
	YY	B06B-F32MK-GGYR	10.16	16.51	24.16	120
	XY	B06B-F32MK-GGXRYR	10.16	16.51	24.16	120
10	XX	B10B-F32MK-GGXXR	20.32	26.67	34.32	84
	YY	B10B-F32MK-GGYR	20.32	26.67	34.32	84
12	XX	B12B-F32MK-GGXXR	25.40	31.75	39.40	72
	YY	B12B-F32MK-GGYR	25.40	31.75	39.40	72
	XY	B12B-F32MK-GGXRYR	25.40	31.75	39.40	72

### Material and Finish

Tab contact: Copper alloy, nickel-undercoated, selective gold-plated  
Housing: Glass-filled PBT, UL94V-0, black  
Reinforcing metal fixture: Copper alloy, nickel-undercoated, selective gold-plated

**RoHS compliance** This product displays (LF)(AU) on a label.  
Note: 1. Contact JST for the headers supplied in magazine stick.  
2. Contact JST for 0.76 μm gold-plated product and tin-plated product.

## Header (Side entry type)



Circuits	Keying	Model No.	Dimensions (mm)			Q'ty / box
			A	B	C	
6	XX	S06B-F32MK-GGXXR	10.16	17.78	24.16	80
	YY	S06B-F32MK-GGYR	10.16	17.78	24.16	80
	XY	S06B-F32MK-GGXRYR	10.16	17.78	24.16	80
8	XY	S08B-F32MK-GGXRYR	15.24	22.86	29.24	64
10	XX	S10B-F32MK-GGXXR	20.32	27.94	34.32	56
	YY	S10B-F32MK-GGYR	20.32	27.94	34.32	56
12	XX	S12B-F32MK-GGXXR	25.40	33.02	39.40	48
	YY	S12B-F32MK-GGYR	25.40	33.02	39.40	48
	XY	S12B-F32MK-GGXRYR	25.40	33.02	39.40	48

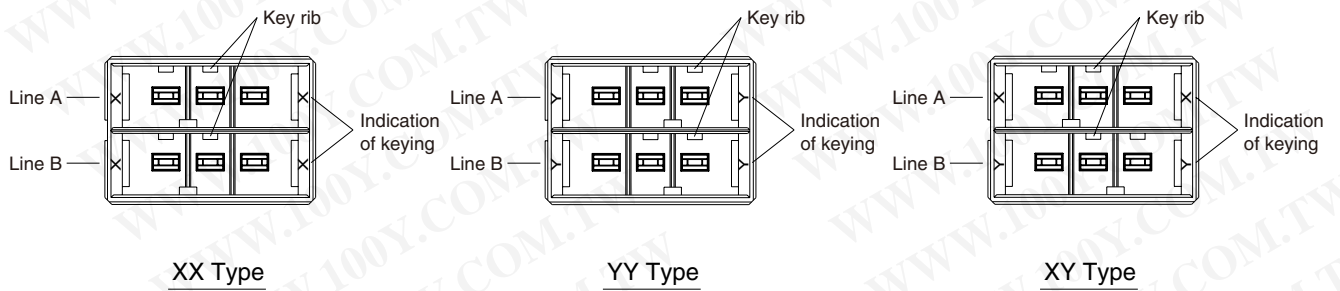
### Material and Finish

Tab contact: Copper alloy, nickel-undercoated, selective gold-plated  
Housing: Glass-filled PBT, UL94V-0, black  
Reinforcing metal fixture: Copper alloy, nickel-undercoated, selective gold-plated

**RoHS compliance** This product displays (LF)(AU) on a label.  
Note: 1. Contact JST for the headers supplied in magazine stick.  
2. Contact JST for 0.76 μm gold-plated product and tin-plated product.

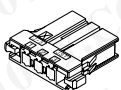


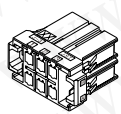
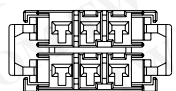

## Keying

J320M series have mis-insertion preventive keying. Available in 3 types – XX type, YY type and XY type. (Headers viewed from the mating side are shown below.)



## List of combinations

With the combination of the J320M headers and the J320M/J320S receptacle housings, the following modular combinations are possible.

Receptacle housing		Tab housing		Header	
Single-row 3, 5, 6 circuits (J320S)  	X type F32FSS-■V-KX		X type Free hanging type F32MSF-■V-KX Panel mounting type F32MSP-■V-KX	Single-row 3, 5, 6 circuits (J320S)  	X type Top entry type B■B-F32SK-GGX■ Side entry type S■B-F32SK-GGX■
	Y type F32FSS-■V-KY		Y type Free hanging type F32MSF-■V-KY Panel mounting type F32MSP-■V-KY		Y type Top entry type B■B-F32SK-GGY■ Side entry type S■B-F32SK-GGY■
Double-row 6, 10, 12, 20 circuits (J320M)  	XX type F32FMS-■V-KXX		XX type Free hanging type F32MDF-■V-KXX Panel mounting type F32MDP-■V-KXX	Double-row 6, 10, 12, 20 circuits (J320M)  	XX type Top entry type B■B-F32MK-GGXX■ Side entry type S■B-F32MK-GGXX■
	YY type F32FMS-■V-KYY		YY type Free hanging type F32MDF-■V-KYY Panel mounting type F32MDP-■V-KYY		YY type Top entry type B■B-F32MK-GGY■ Side entry type S■B-F32MK-GGY■
	XY type F32FMS-■V-KXY		XY type Free hanging type F32MDF-■V-KXY Panel mounting type F32MDP-■V-KXY		XY type Side entry type B■B-F32MK-GGXY■ Side entry type S■B-F32MK-GGXY■

Note: Number of circuits is indicated in ■■■.  
Packaging method is indicated in ■.

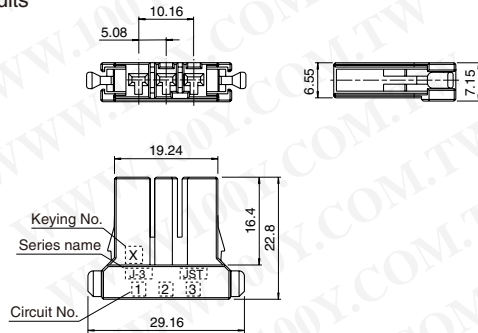


# J300 SERIES/J320T

## Receptacle housing

### Single-row type

• 3 circuits



Circuits	Keying	Model No.	Q'ty / bag
3	X	<b>F32FSS-03V-KX</b>	200
	Y	<b>F32FSS-03V-KY</b>	200

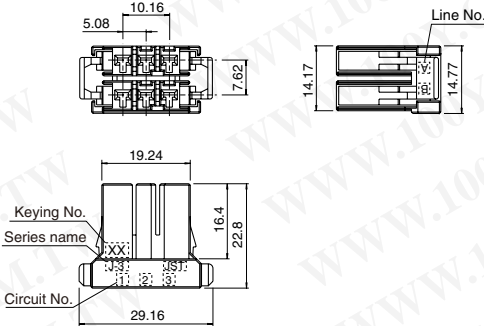
#### Material

Glass-filled PBT, UL94V-0, black

#### RoHS compliance

### Double-row type

• 6 circuits



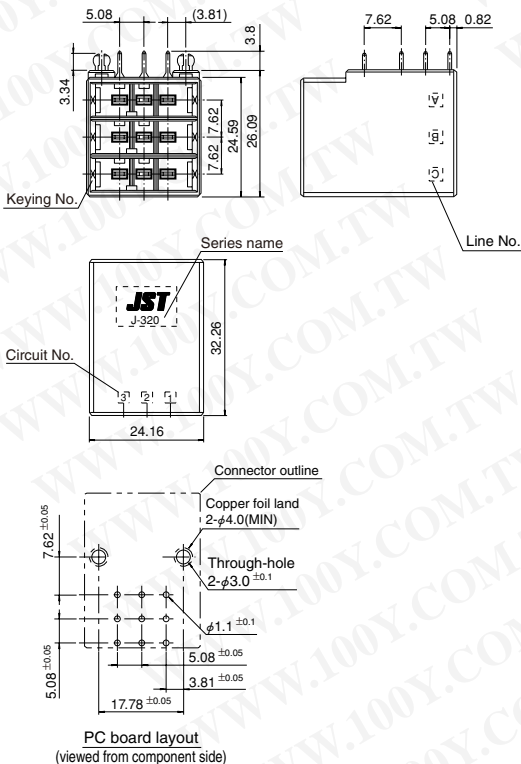
Circuits	Keying	Model No.	Q'ty / bag
6	XX	<b>F32FMS-06V-KXX</b>	100
	YY	<b>F32FMS-06V-KYY</b>	100
	XY	<b>F32FMS-06V-KXY</b>	100

#### Material

Glass-filled PBT, UL94V-0, black

#### RoHS compliance

## Header (Side entry type)



Circuits	Keying	Model No.	Q'ty / box
9	XXX	<b>S09B-F32TK-GGXAR</b>	42
	XXY	<b>S09B-F32TK-GGXBR</b>	42
	XYX	<b>S09B-F32TK-GGXCR</b>	42
	YYX	<b>S09B-F32TK-GGXDR</b>	42

#### Material and Finish

Tab contact: Copper alloy, nickel-undercoated, selective gold-plated

Housing: Glass-filled PBT, UL94V-0, black

Reinforcing metal fixture: Copper alloy, nickel-undercoated, selective gold-plated

#### RoHS compliance

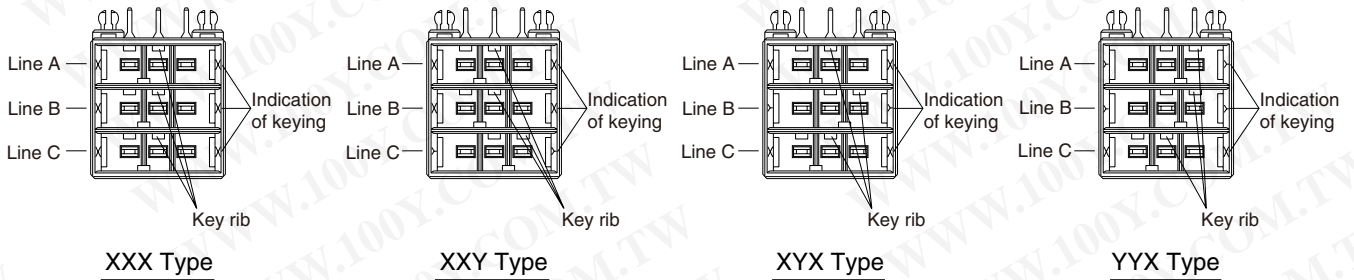
This product displays (LF)(AU) on a label.

Note: 1. Contact JST for tin-plated product.

2. Not CSA/TÜV approved

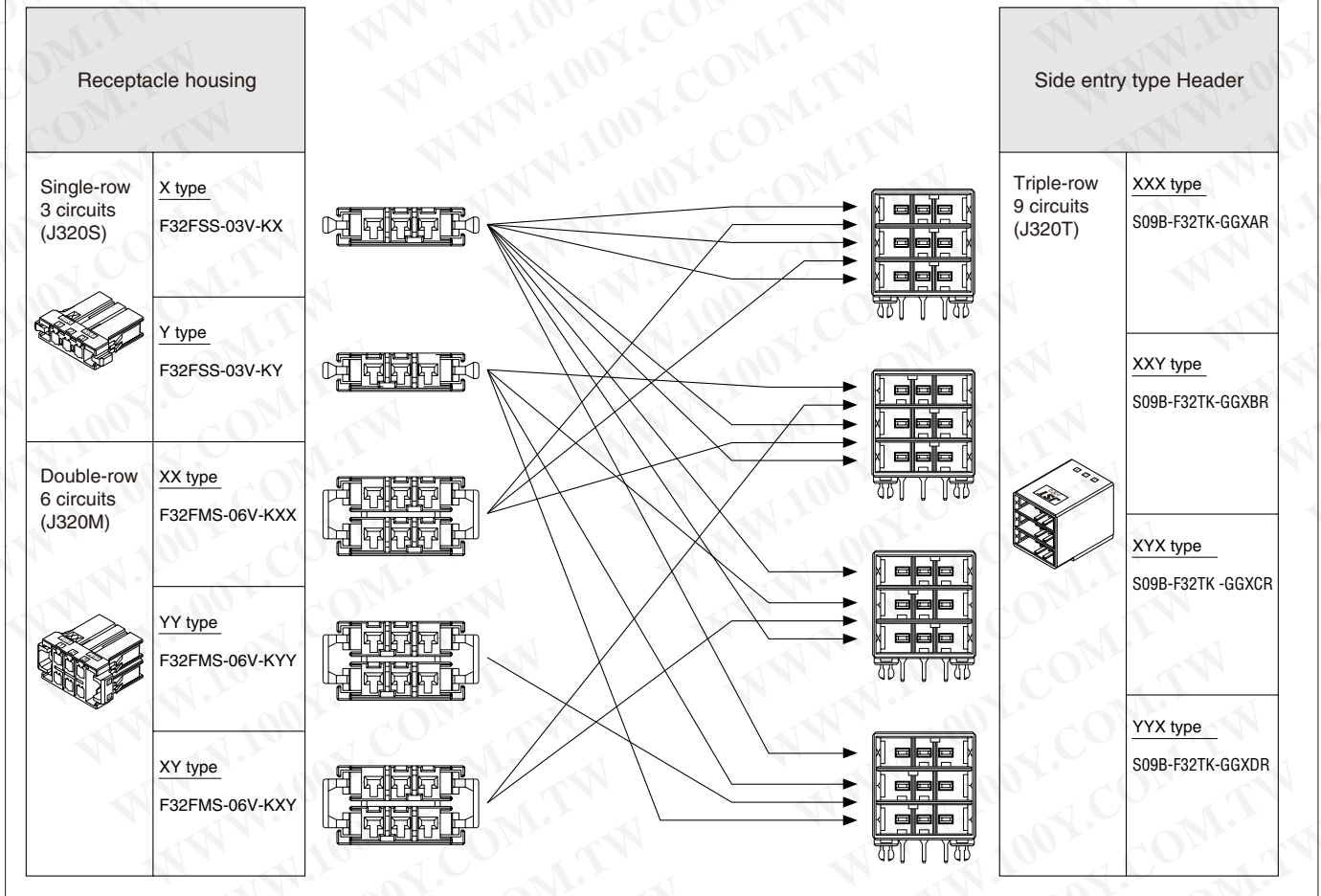
## Keying

J320T series have mis-insertion preventive keying.  
Available in 4 types – XXX type, XXY type, XYX type and YYX type.  
(Headers viewed from the mating side are shown below.)



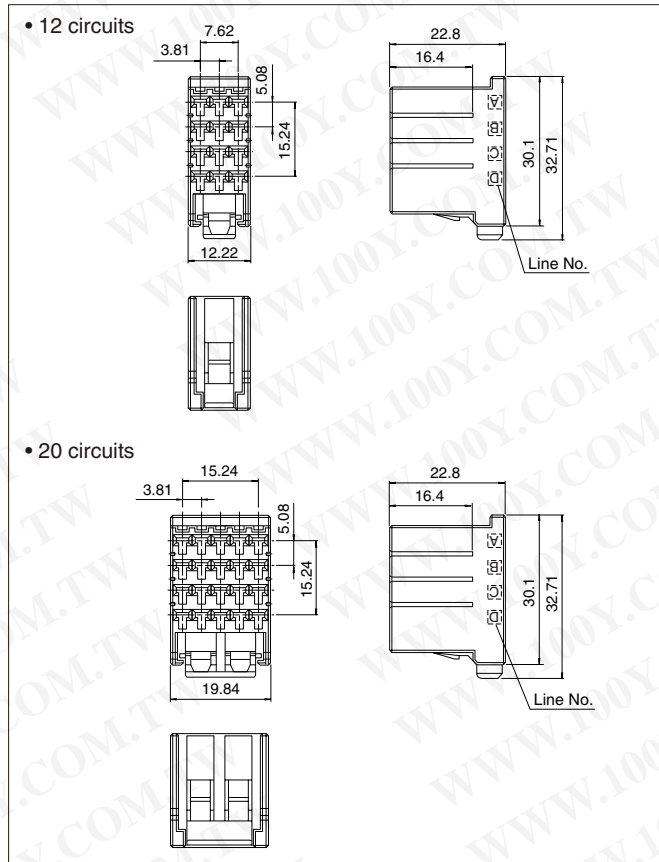
## List of combinations

With the combination of the J320T headers and the J320S/J320M receptacle housings, the following modular combinations are possible.



# J300 SERIES/J340F

## Receptacle housing



Circuits	Keying	Model No.	Q'ty / bag
12	—	<b>F34FFC-12V-K</b>	100
20	—	<b>F34FFC-20V-K</b>	100

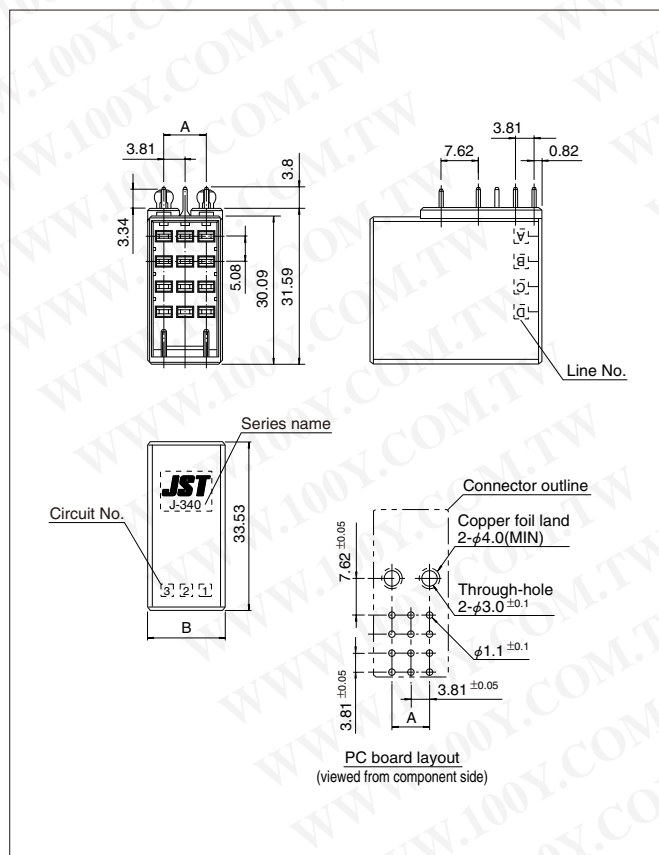
### Material

Glass-filled PBT, UL94V-0, black

### RoHS compliance

Note: Not CSA/TÜV approved.

## Header (Side entry type)



Circuits	Keying	Model No.	Dimensions (mm)		Q'ty / box
			A	B	
12	—	<b>SC12B-F34FK-GGR</b>	7.62	15.02	63
20	—	<b>SC20B-F34FK-GGR</b>	15.24	22.64	42

### Material and Finish

Tab contact: Copper alloy, nickel-undercoated, selective gold-plated

Housing: Glass-filled PBT, UL94V-0, black

Reinforcing metal fixture: Copper alloy, nickel-undercoated, selective gold-plated

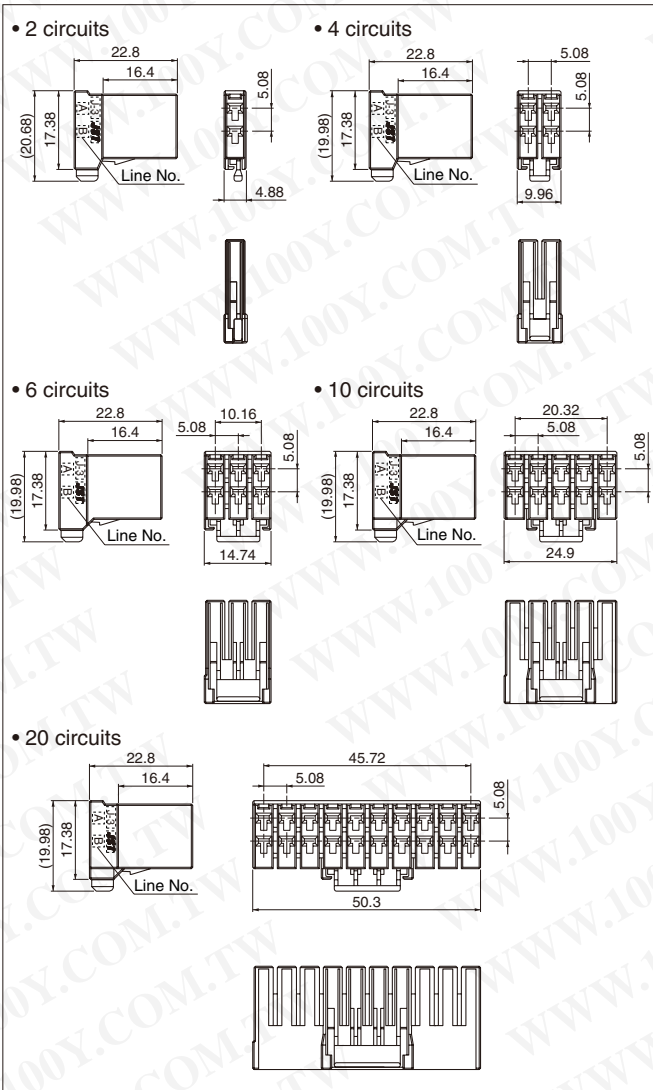
### RoHS compliance

Note: 1. Contact JST for tin-plated product.

2. Not CSA/TÜV approved.

# J300 SERIES/J350D

## Receptacle housing



Circuits	Keying	Model No.	Q'ty / bag
2	—	F35FDC-02V-K	200
4	—	F35FDC-04V-K	200
6	—	F35FDC-06V-K	200
10	—	F35FDC-10V-K	100
20	—	F35FDC-20V-K	100

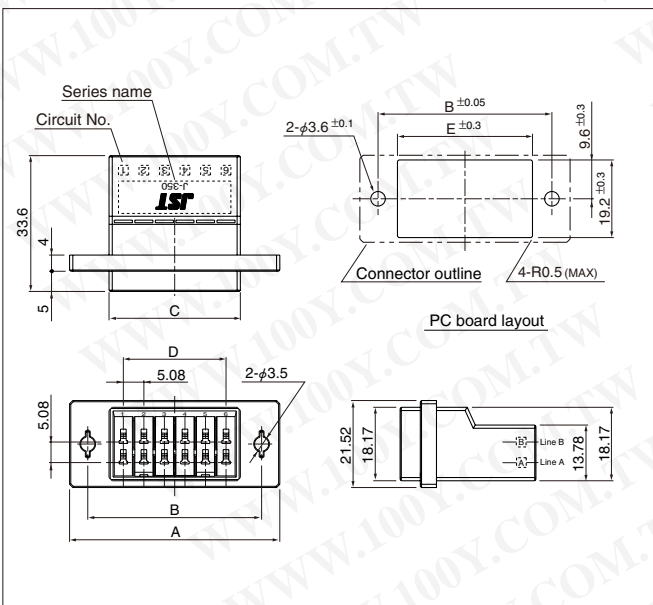
### Material

Glass-filled PBT, UL94V-0, black

### RoHS compliance

Note: Not CSA/TÜV approved.

## Tab housing (Panel mounting type)



Circuits	Keying	Model No.	Dimensions (mm)					Q'ty / box
			A	B	C	D	E	
12	—	F35MDP-12V-K	52.00	43.00	32.48	25.40	33.40	41

### Material

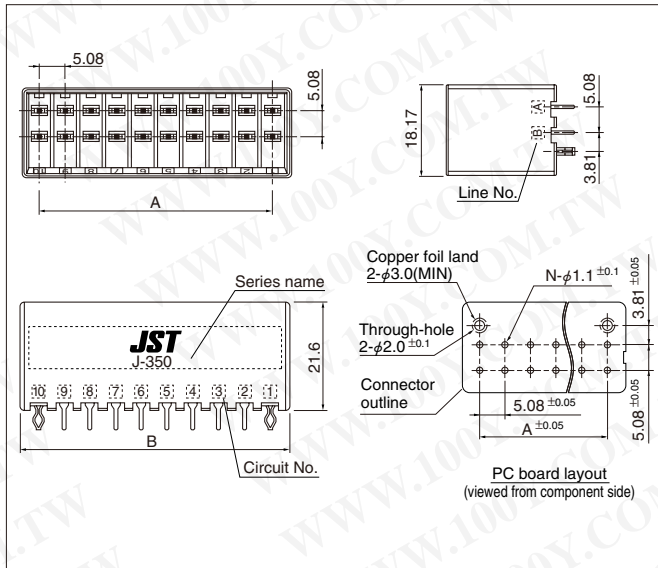
Glass-filled PBT, UL94V-0, black

### RoHS compliance

Note: Not CSA/UL/TÜV approved.

# J300 SERIES/J350D

## Header (Top entry type)



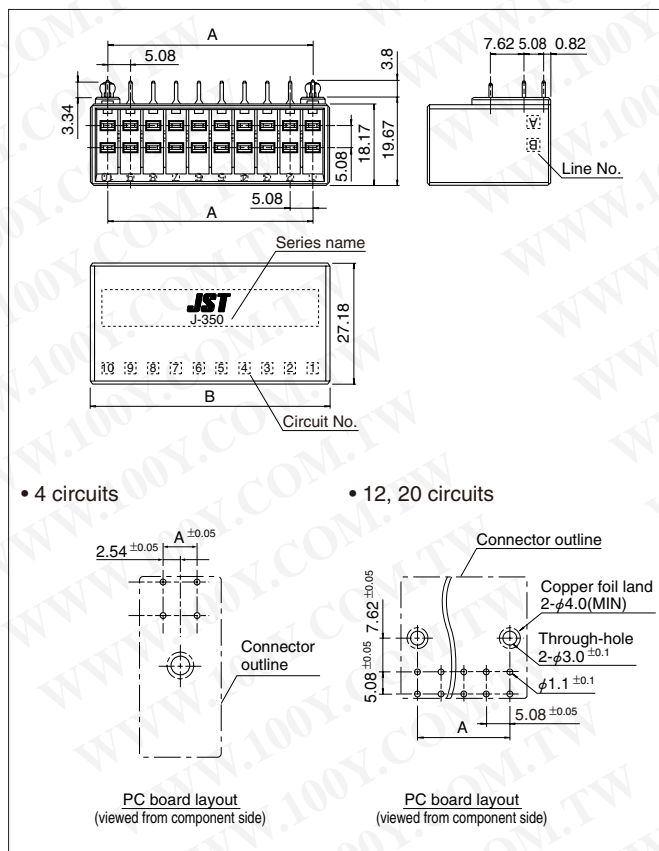
Circuits	Keying	Model No.	Dimensions (mm)		Q'ty / box
			A	B	
12	—	BC12B-F35DK-GGR	25.4	32.48	56
20	—	BC20B-F35DK-GGR	45.72	52.8	32

### Material and Finish

Tab contact: Copper alloy, nickel-undercoated, selective gold-plated  
Housing: Glass-filled PBT, UL94V-0, black  
Reinforcing metal fixture: Copper alloy, nickel-undercoated, selective gold-plated

**RoHS compliance** This product displays (LF)(AU) on a label.  
Note: 1. Contact JST for tin-plated product.  
2. Not CSA/TÜV approved.

## Header (Side entry type)



Circuits	Keying	Model No.	Dimensions (mm)		Q'ty / box
			A	B	
4	—	SC04B-F35DK-GGR	5.08	12.16	152
12	—	SC12B-F35DK-GGR	25.4	32.48	56
20	—	SC20B-F35DK-GGR	45.72	52.8	32

### Material and Finish

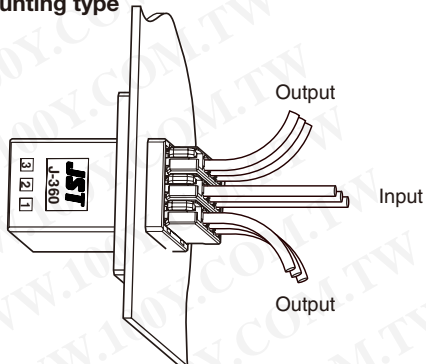
Tab contact: Copper alloy, nickel-undercoated, selective gold-plated  
Housing: Glass-filled PBT, UL94V-0, black  
Reinforcing metal fixture: Copper alloy, nickel-undercoated, selective gold-plated

**RoHS compliance** This product displays (LF)(AU) on a label.  
Note: 1. Contact JST for tin-plated product.  
2. Not CSA/TÜV approved.

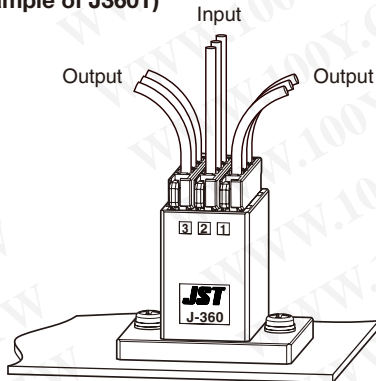


# J300 SERIES/COMMON TYPE CONNECTOR

## • Panel mounting type



## • Direct mounting type (Example of J360T)



- Receptacle terminal of JFA J300 series can be used.
- Between rows are commonly connected.
- Proposing rationalization of wiring.
- Mounting method of connector.

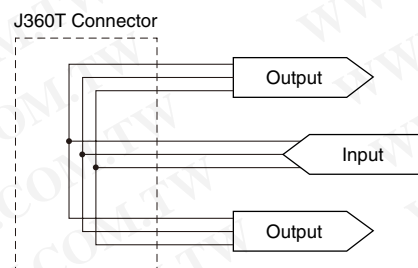
## Specifications

- Current rating: 18A AC, DC (18 circuits/AWG #14)
- Voltage rating: 600V AC, DC
- Temperature range: -55°C to +105°C  
(including temperature rise in applying electrical current)

\*Contact JST for details.

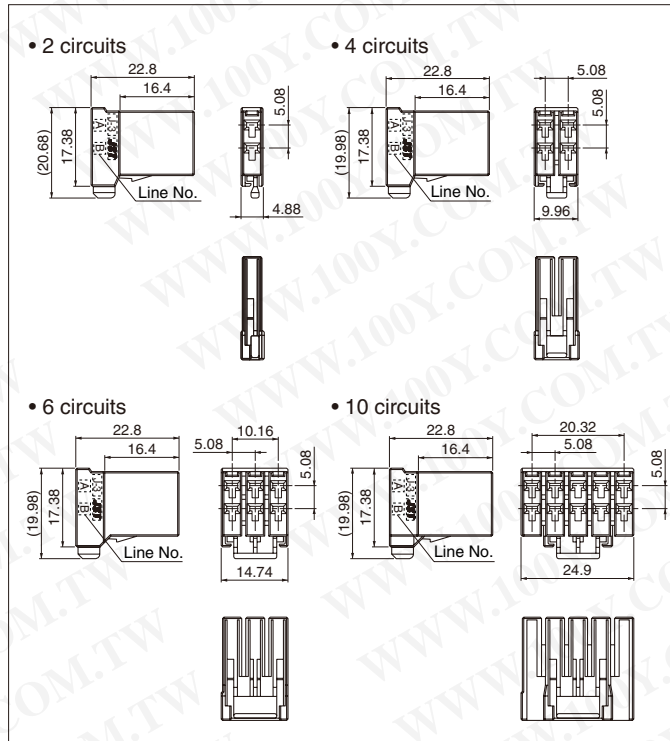
\*Compliant with RoHS.

## Circuit figure



# COMMON TYPE/J350DC

## Receptacle housing



Circuits	Keying	Model No.	Q'ty / bag
2	—	<b>F35FDC-02V-K</b>	200
4	—	<b>F35FDC-04V-K</b>	200
6	—	<b>F35FDC-06V-K</b>	200
10	—	<b>F35FDC-10V-K</b>	100

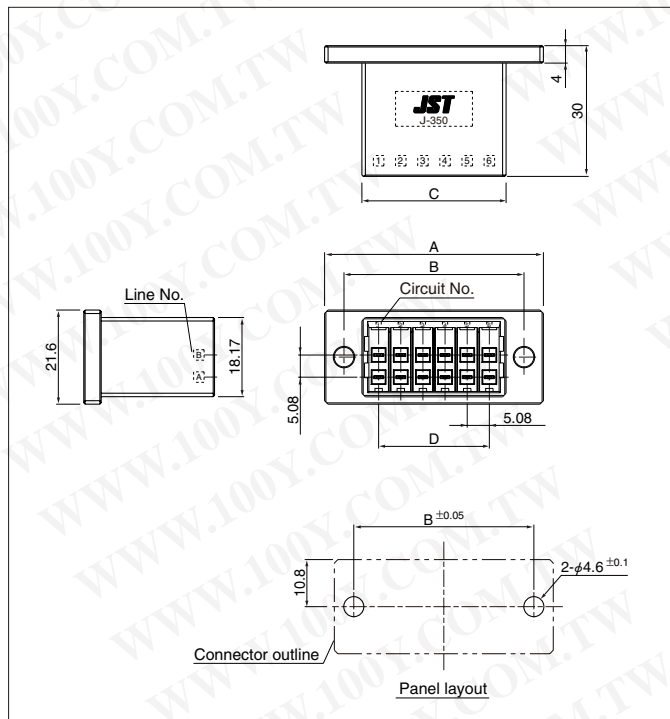
### Material

Glass-filled PBT, UL94V-0, black

### RoHS compliance

Note: Not CSA/TÜV approved.

## Tab housing assembly



Circuits	Keying	Model No.	Dimensions (mm)				Q'ty / box
			A	B	C	D	
12	—	<b>P12B-F35DK-GFAR</b>	57.0	44.6	33.08	25.4	196

### Material and Finish

Tab contact: Copper alloy, nickel-undercoated, selective gold-plated  
Housing: Glass-filled PBT, UL94V-0, black

### RoHS compliance

This product displays (LF)(AU) on a label.  
Note: 1. Tightening torque of M3 screw varies depending on screw and material to be tighten as follows.

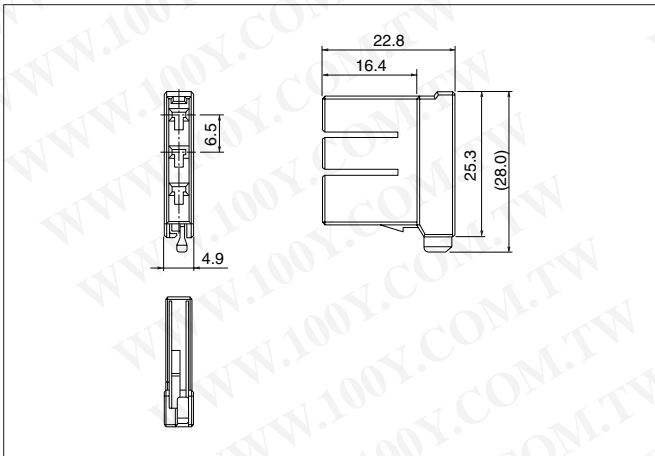
Steel: 50cN • m max.

Copper, aluminum and plastics: 30cN • m (reference target value)

2. Not CSA/TÜV approved.

# COMMON TYPE/J360T

## Receptacle housing



Circuits	Keying	Model No.	Q'ty / bag
3	—	<b>F36FTC-03V-K</b>	200

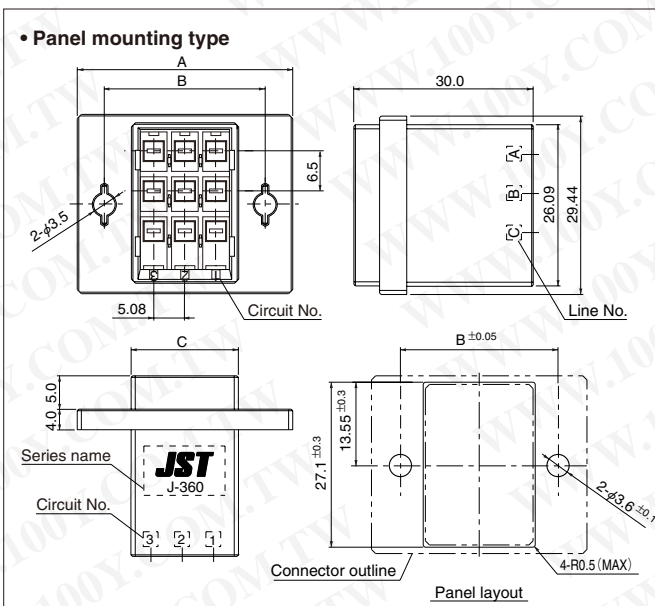
### Material

Glass-filled PBT, UL94V-0, black

### RoHS compliance

Note: Not CSA/TÜV approved.

## Tab housing assembly



Circuits	Keying	Model No.	Dimensions (mm)			Q'ty / box
			A	B	C	
9	—	<b>P09B-F36TK-GFR</b>	35.0	26.1	17.8	364
18	—	<b>P18B-F36TK-GFR</b>	50.2	41.3	33.1	224

### Material and Finish

Tab contact: Copper alloy, nickel-undercoated, selective gold-plated  
Housing: Glass-filled PBT, UL94V-0, black

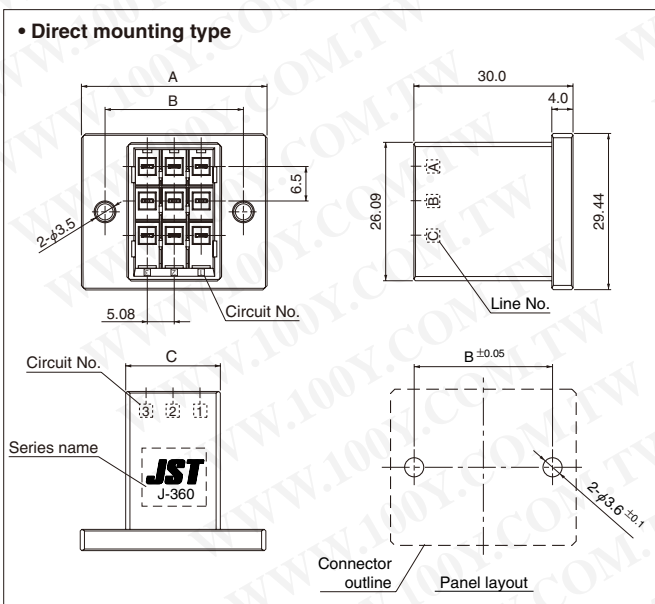
### RoHS compliance

Note: 1. Tightening torque of M3 screw varies depending on screw and material to be tighten as follows.

Steel: 50cN • m max.

Copper, aluminum and plastics: 30cN • m (reference target value)

2. Not CSA/TÜV approved.



Circuits	Keying	Model No.	Dimensions (mm)			Q'ty / box
			A	B	C	
9	—	<b>P09B-F36TK-GFAR</b>	35.0	26.1	17.8	364
18	—	<b>P18B-F36TK-GFAR</b>	50.2	41.3	33.1	224
24	—	<b>P24B-F36TK-GFANR</b>	60.4	51.5	43.2	168

### Material and Finish

Tab contact: Copper alloy, nickel-undercoated, selective gold-plated  
Housing: Glass-filled PBT, UL94V-0, black

### RoHS compliance

Note: 1. Tightening torque of M3 screw varies depending on screw and material to be tighten as follows.

Steel: 50cN • m max.

Copper, aluminum and plastics: 30cN • m (reference target value)

2. There is no cover of common tab side for 24 circuits.

P24B-F36TK-GFANR

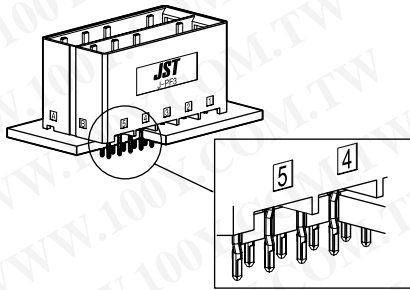
N means no cover.

3. The top and bottom for both the logo mark and the series name of 24 circuits reverse against display of 9 or 18 circuits.

4. Not CSA/TÜV approved.

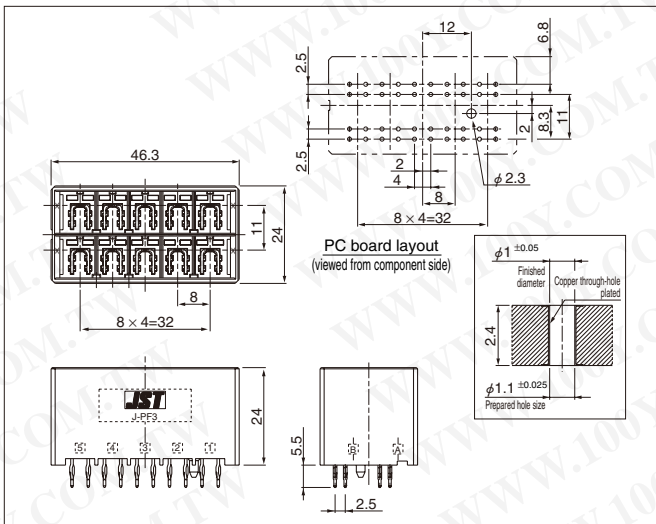


# J300 SERIES/J-PF3 PRESS FIT TYPE



- Press fit contact is adopted.
- Easy PC board layout
- Use the receptacle contact of J300 series

## Header Top entry type (Press fit type)



Circuits	Keying	Model No.	Q'ty / box
10	XX	<b>B10B-JPF3MK-GKXXR</b>	96
	YY	<b>B10B-JPF3MK-GKYXR</b>	96
	XY	<b>B10B-JPF3MK-GKXYR</b>	96
	YX	<b>B10B-JPF3MK-GKYXR</b>	96

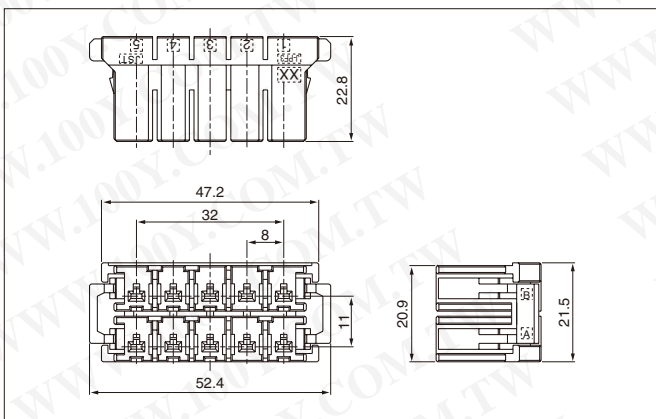
### Material and Finish

Post: Copper alloy, gold-plated  
Housing: Thermoplastic resin

### RoHS compliance

Note: 1. Contact JST for jig for press fit.  
2. Not CSA/UL/TÜV approved.

## Receptacle housing



Circuits	Keying	Model No.	Q'ty / bag
10	XX	<b>JPF3FMS-10V-KXX</b>	400
	YY	<b>JPF3FMS-10V-KYY</b>	400
	XY	<b>JPF3FMS-10V-KXY</b>	400
	YX	<b>JPF3FMS-10V-KYX</b>	400

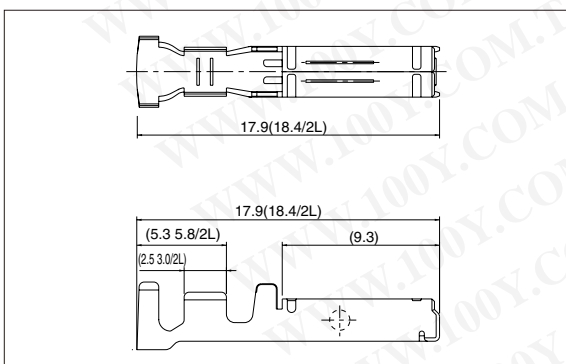
### Material

Housing: Thermoplastic resin

### RoHS compliance

Note: Not CSA/UL/TÜV approved.

## Receptacle contact



Model No.		Applicable wire			Insulation O.D.	Q'ty	
Strip contact	Loose piece	Nominal	mm <sup>2</sup>	AWG#	(mm)	reel	Box/Loose piece
<b>SF3F-002GF-P2.0</b>	<b>BF3F-002GF-P2.0</b>	S	0.08~0.20	28~24	0.8~1.4	3,700	1,000
<b>SF3F-01GF-P2.0</b>	<b>BF3F-01GF-P2.0</b>	M	0.20~0.50	24~20	1.2~2.6	3,700	1,000
<b>SF3F-41GF-P2.0</b>	<b>LF3F-41GF-P2.0</b>	L	0.50~1.25	20~16	1.8~2.8	3,200	1,000
<b>*SF3F-71GF-P2.0</b>	<b>*BF3F-71GF-P2.0</b>	2L	1.25~2.0	16~14	2.4~3.4	3,200	1,000

### Material and Finish

Copper alloy (superior conductivity), nickel-undercoated, selective gold-plated tin-plated (reflow treatment)

### RoHS compliance

Note: \*Marked products are not CSA/TÜV approved.

# JFA CONNECTOR/J300 SERIES

## Model number identification

### Receptacle contact

**S F3 F - 41 GF - P 2.0**

Form: S...Strip form, B...Loose piece  
L...Loose piece with curled barrels

Series name

Kind of terminal: F...Receptacle contact

Applicable wire: 002...AWG #28 ~ #24, 01...AWG #24 ~ #20  
41...AWG #20 ~ #16, 71...AWG #16 ~ #14

Surface finish: GF...Nickel-undercoated, 0.38 $\mu$ m selective gold-plated  
GL...Nickel-undercoated, 0.76 $\mu$ m selective gold-plated  
T...Tin-plated (Reflow treatment)

Material: P...Copper alloy

Terminal size

### Tab contact

**S F3 M - 41 GF - M 2.0 N**

Form: S...Strip form, B...Loose piece  
L...Loose piece with curled barrels

Series name

Kind of terminal: M...Tab contact

Applicable wire: 01...AWG #24 ~ #20, 41...AWG #20 ~ #16  
71...AWG #16 ~ #14

Surface finish: GF...Nickel-undercoated, 0.38 $\mu$ m selective gold-plated  
GL...Nickel-undercoated, 0.76 $\mu$ m selective gold-plated  
T...Tin-plated (Reflow treatment)

Material: M...Copper alloy

Terminal size

Sequential identification

### Receptacle housing

**F31 F S S - 03 V - K X**

Series name

Type of connector: F...Receptacle housing

Rows: S...Single-row  
D...Double-row with 5.08mm line pitch  
M...Double-row with 7.62mm line pitch  
F...Quadruple-row with 5.08mm line pitch

Configuration: S...Side locking, C...Center locking

No. of circuits: 1 ~ 6, 8, 10, 12, 16, 20

Flammability: V...UL94V-0

Color indication: K...Black, S...White, E...Blue

Keying: X...X-Keyping, Y...Y-Keyping, XX...XX-Keyping  
YY...YY-Keyping, XY...XY-Keyping, Blank...Without Keyping No.

### Tab housing

**F31 M S F - 03 V - K X**

Series name

Kind of terminal: M...Tab housing

Rows: S...Single-row, D...Double-row with 5.08mm line pitch  
M...Double-row with 7.62mm line pitch

Configuration: F...Free hanging, P...Panel mounting

No. of circuits: 1 ~ 6, 8, 10, 12, 16, 20

Flammability: V...UL94V-0

Color indication: K...Black, S...White, E...Blue

Keying: X...X-Keyping, Y...Y-Keyping, XX...XX-Keyping  
YY...YY-Keyping, XY...XY-Keyping, Blank...Without Keyping No.

### Header

**B 05 B - F31 S K - GG X R**

PC board mounting direction:  
B...Top entry type  
S...Side entry type  
BC...Top & center locking  
SC...Side & center locking

No. of circuits: 2 ~ 6, 8, 10, 12, 16, 20

Product name: Header

Series name

Rows: S...Single-row  
D...Double-row with 5.08mm line pitch  
M...Double-row with 7.62mm line pitch  
T...Triple-row with 7.62mm line pitch  
F...Quadruple-row with 5.08mm line pitch

Color indication: K...Black, S...White, E...Blue

Surface finish: GG...Nickel-undercoated, 0.38 $\mu$ m selective gold-plated  
GK...Nickel-undercoated, 0.76 $\mu$ m selective gold-plated  
T...Tin-plated (Reflow treatment)

Keying: X...X-Keyping, Y...Y-Keyping, XX...XX-Keyping, YY...YY-Keyping,  
XY...XY-Keyping, XA...XXX-Keyping, XB...XXY-Keyping,  
XC...XYX-Keyping, XD...YYX-Keyping, Blank...Without Keyping No.

Packaging form: R...Tray, M...Magazine stick

### Receptacle assembly

**03 JFAT - SA Y GF - I**

No. of circuits: 3 ~ 6

Series name

Mating type: SA...Normal type, SB...Reverse type

Keying: X...X-Keyping, Y...Y-Keyping

Surface finish: GF...Nickel-undercoated, 0.38 $\mu$ m selective gold-plated

Shape: I...I type

### Tab housing assembly

**P 18B-F36T K - GF A R**

PC board mounting direction: Panel mounting type

No. of circuits - Assembly: 9, 12, 18, 24

Series name: F36T...J360T, F35D...J350DC

Color indication: K...Black

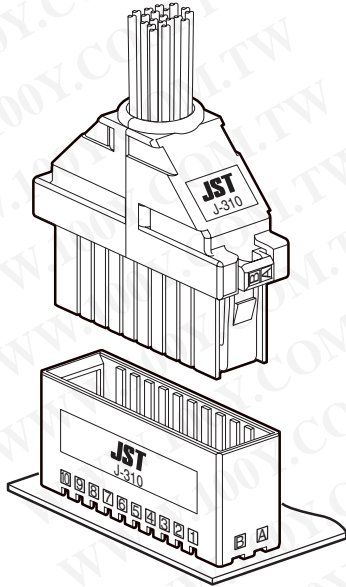
Surface finish: GF...Nickel-undercoated, 0.38 $\mu$ m selective gold-plated

Configuration: A...Direct mounting type, AF...Direct mounting without housing cover type,  
Blank...Panel mounting type

Packaging form: R...Tray



# JFA CONNECTOR/PROTECTOR

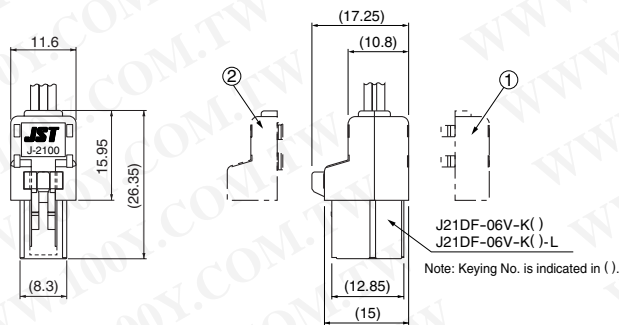


Note: Protector is not UL/CSA/TÜV approved

**When applying a current to the connector, the protector prevents foreign substances being inserted into mating part from the wiring side. However it has no function of holding the wire securely.**

## J2000 Series

### •J2100 series for 6 circuits



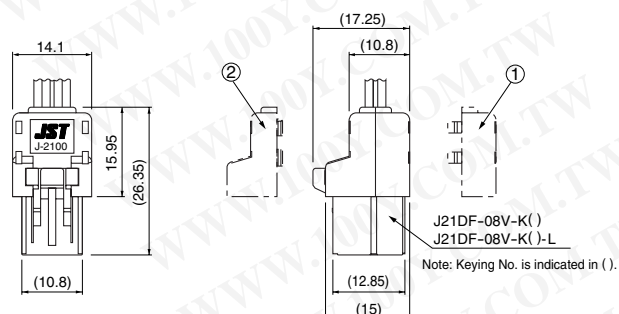
No.	Model No.	Color
①	<b>J21PF-06SCA</b>	Transparent
②	<b>J21PF-06SCB</b>	Transparent

Material

Polycarbonate

RoHS compliance

### •J2100 series for 8 circuits



No.	Model No.	Color
①	<b>J21PF-08SCA</b>	Transparent
②	<b>J21PF-08SCB</b>	Transparent

Material

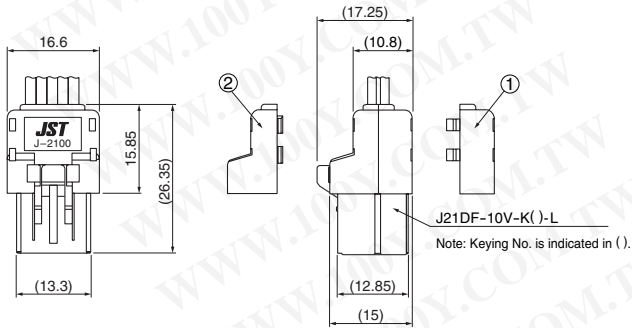
Polycarbonate

RoHS compliance

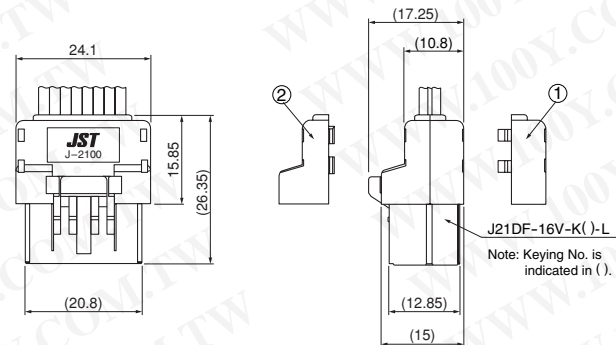
# JFA CONNECTOR/PROTECTOR

## J2000 Series

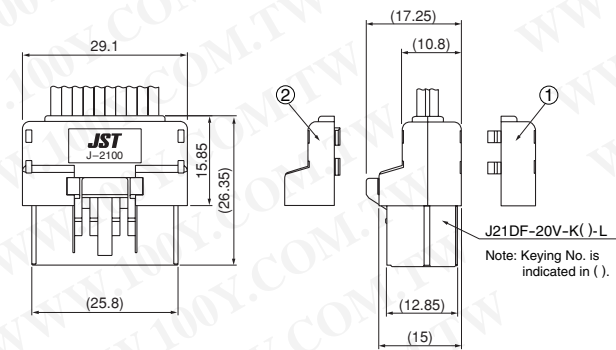
### •J2100 series for 10 circuits



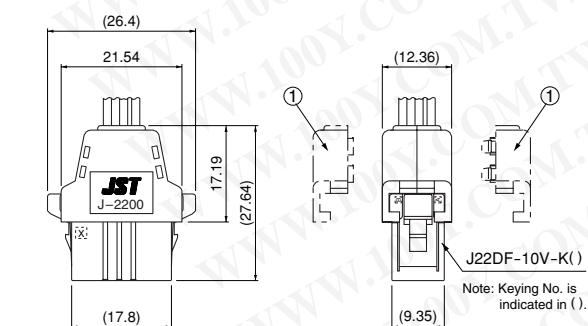
### •J2100 series for 16 circuits



### •J2100 series for 20 circuits



### •J2200 series for 10 circuits



No.	Model No.	Color
①	<b>J21PF-10SCA</b>	Transparent
②	<b>J21PF-10SCB</b>	Transparent
Material		
Polycarbonate		

**RoHS compliance**

No.	Model No.	Color
①	<b>J21PF-16SCA</b>	Transparent
②	<b>J21PF-16SCB</b>	Transparent
Material		
Polycarbonate		

**RoHS compliance**

No.	Model No.	Color
①	<b>J21PF-20SCA</b>	Transparent
②	<b>J21PF-20SCB</b>	Transparent
Material		
Polycarbonate		

**RoHS compliance**

No.	Model No.	Color
①	<b>J22PF-10VK</b>	Black
Material		
Glass-filled PBT		

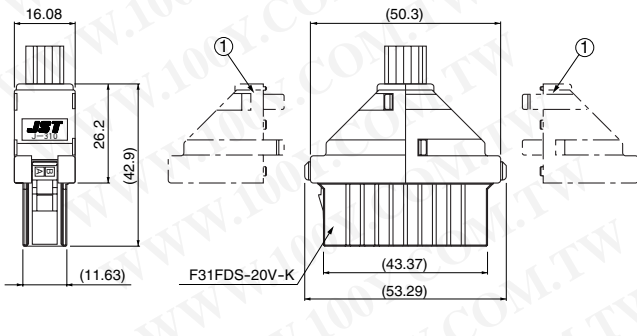
**RoHS compliance**

Note: Two protectors are used.

# JFA CONNECTOR/PROTECTOR

## J300 Series

### •J310D series for 20 circuits



No.	Model No.	Color
①	<b>F31PFD-20VK</b>	Black
①	<b>F31PFD-20SC</b>	Transparent

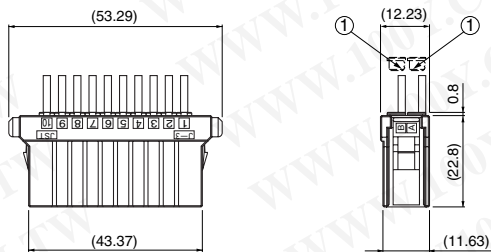
#### Material

Black: Glass-filled PBT  
Transparent: Polycarbonate

#### RoHS compliance

Note: Two protectors of the same color are used.

### •J310D series / Embedding-type protector for 8, 10 circuits



No.	Model No.	Color
①	<b>F31PFS-10KU</b>	Black

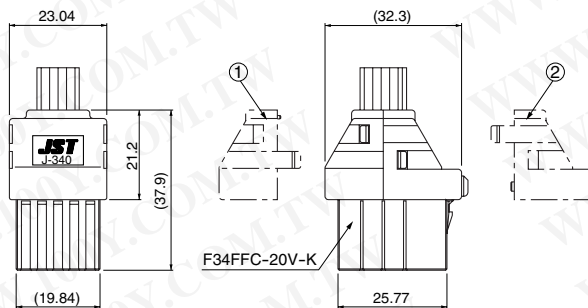
#### Material

Glass-filled PBT

#### RoHS compliance

Note: This protector is cut and used for each number of circuits.

### •J340F series for 20 circuits



No.	Model No.	Color
①	<b>F34PFF-20VKA</b>	Black
	<b>F34PFF-20SCA</b>	Transparent
②	<b>F34PFF-20VKB</b>	Black
	<b>F34PFF-20SCB</b>	Transparent

#### Material

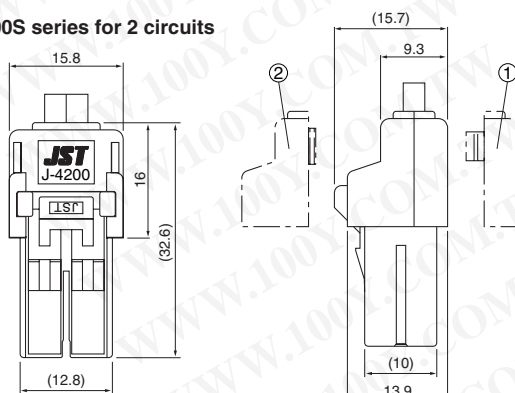
Black: Glass-filled PBT  
Transparent: Polycarbonate

#### RoHS compliance

Note: Both 1 and 2 protectors in the same color are used.

## J4000 Series

### •J4200S series for 2 circuits



No.	Model No.	Color
①	<b>J42PF-02SCA</b>	Transparent
②	<b>J42PF-02SCB</b>	Transparent

#### Material

Polycarbonate

#### RoHS compliance

(Patent pending)

When applying a current to the connector, the protector prevents foreign substances being inserted into mating part from the wiring side. However it has no function of holding the wire securely.