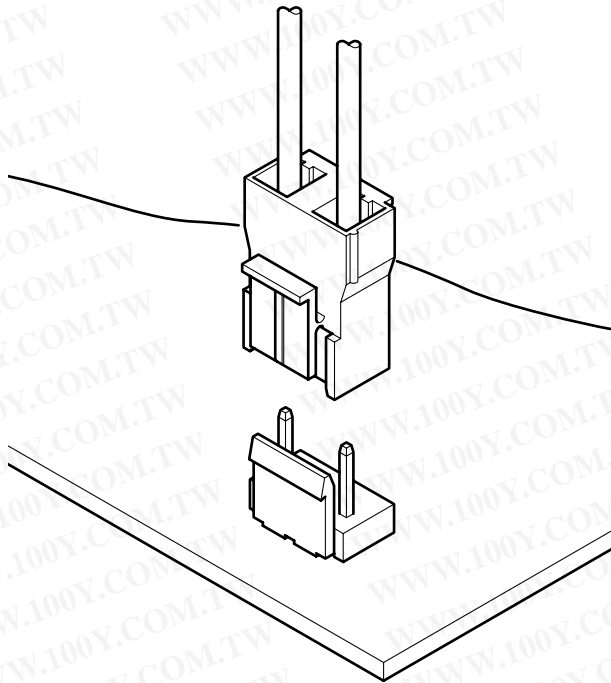


# NVA CONNECTOR

7.92mm pitch/Disconnectable Crimp style connectors



**7.92mm pitch crimp style, large current carrying capacity connector, that is best suited for various kinds of power supply circuits. Box-shaped contacts offer reliable connection.**

- Housing lances
- Box contact
- Secure contact and mounting
- Applicable up to 10A

勝特力材料 886-3-5753170  
 勝特力电子(上海) 86-21-34970699  
 勝特力电子(深圳) 86-755-83298787  
 Http://www.100y.com.tw

## Specifications

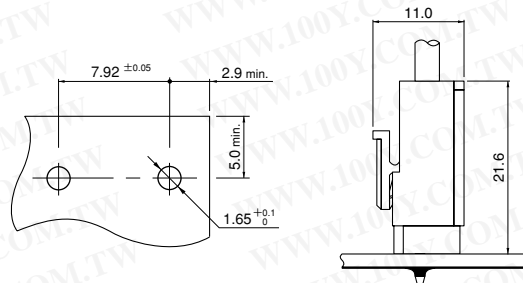
- Current rating: 10A AC, DC (AWG #16)
- Voltage rating: 250V AC, DC
- Temperature range: -25°C to +85°C  
 (including temperature rise in applying electrical current)
- Contact resistance: Initial value/10m Ω max.  
 After environmental testing/20m Ω max.
- Insulation resistance: 1,000M Ω min.
- Withstanding voltage: 1,500V AC/minute
- Applicable wire: AWG #20 to #16
- Applicable PC board thickness: 1.6mm
- \* Compliant with RoHS.
- \* Refer to "General Instruction and Notice when using Terminals and Connectors" at the end of this catalog.
- \* Contact JST for details.

## Standards

Recognized E60389

Certified LR20812

## PC board layout (viewed from component side) and Assembly layout



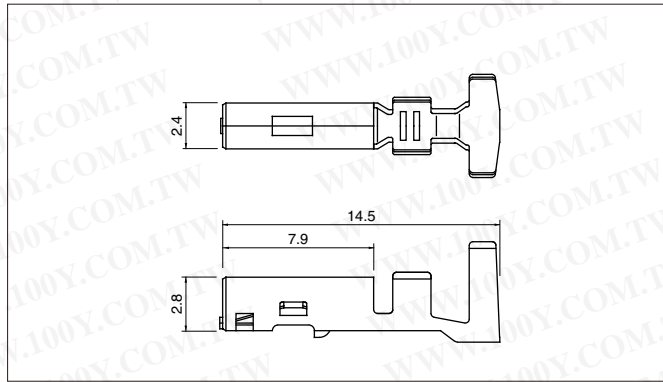
Note: 1. Tolerances are non-cumulative: ±0.05mm for all centers.

2. Hole dimensions differ according to the kind of PC board and piercing method. The dimensions above should serve as a guideline. Contact JST for details.

# NVA CONNECTOR

勝特力材料 886-3-5753170  
 胜特力电子(上海) 86-21-34970699  
 胜特力电子(深圳) 86-755-83298787  
[Http://www.100y.com.tw](http://www.100y.com.tw)

## Contact



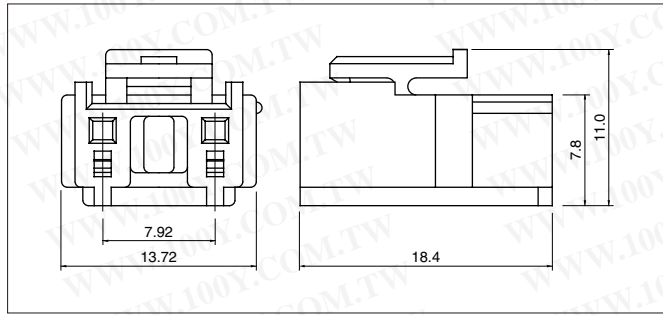
Model No.	AWG #	Insulation O.D.(mm)	Qty / reel
<b>SVT-41T-P1.1</b>	20~16	3.9~2.7	2,500

**Material and Finish**  
Alloy (phosphor bronze system), tin-plated (reflow treatment)

**RoHS compliance**

Contact	Crimping machine	Applicator		
		Crimp applicator	Dies	Crimp applicator with dies
<b>SVT-41T-P1.1</b>	AP-K2N	MKS-L	MK/SVT-41-11	APLMK SVT41-11

## Housing

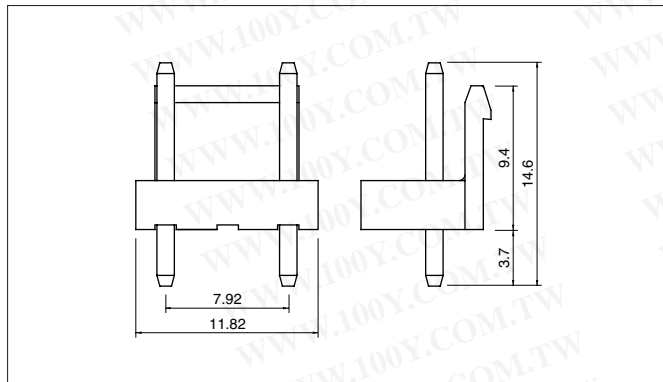


Circuit	Model No.	Qty / bag
2	<b>NVAR-02VS</b>	1,000

**Material**  
PA 66, UL94V-0, natural (white)

**RoHS compliance**

## Locking header



Circuit	Model No.	Qty / box
2	<b>B2P3-VH</b>	1,000

**Material and Finish**  
Post: Brass, copper-undercoated, tin-plated (reflow treatment)  
Wafer: PA 66, UL94V-0, natural (white)

**RoHS compliance** This product displays (LF)(SN) on a label.