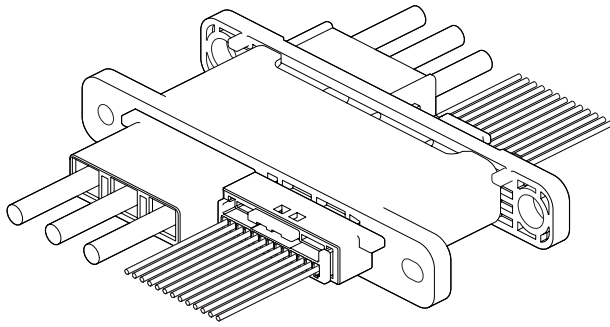


RIZ CONNECTOR L-Type

Disconnectable Crimp style Wire-to-wire connectors



This connector is a hybrid type single-row drawer connector combined signal and power supply circuits connector to connect the units, absorbs misalignment between units, and excels durability. RIZ connector with lever locking device is adopted as applicable socket to prevent incomplete mating.

- Space saving
- High durability
- Hybrid type
- Signal circuit 1.5 mm pitch lever-locking type

Specifications

- Current rating: Signal circuit/ 1.0 A AC, DC (AWG #26)
Power supply circuit/ 15 A AC, DC (AWG #14)
- Voltage rating: Signal circuit/ 50 V AC, DC
Power supply circuit/ 250 V AC, DC
- Temperature range: -25°C to +85°C
(including temperature rise in applying electrical current)
- Contact resistance: Signal circuit Initial value/ 40 mΩ max.
After environmental tests/ 60 mΩ max.
Power supply circuit Initial value/ 10 mΩ max.
After environmental tests/ 20 mΩ max.
- Insulation resistance: 500 MΩ min.
- Withstanding voltage: Signal circuit 500 VAC/minute
Power supply circuit 1,500 VAC/minute
- Applicable wire: Signal circuit Applicable socket/ RCZ connector
Power supply circuit Conductor size/ AWG #24 to #14
Insulation O.D./ 1.4 to 3.6 mm

* In using the products, refer to "Handling Precaution for Terminal and Connector" described on our website (Technical documents of Product information page).

* Contact JST for details.

* Compliant with RoHS.

Standards

- ✓ Recognized E 60389
- ✓ Certified LR 20812
- ✓ R50157902

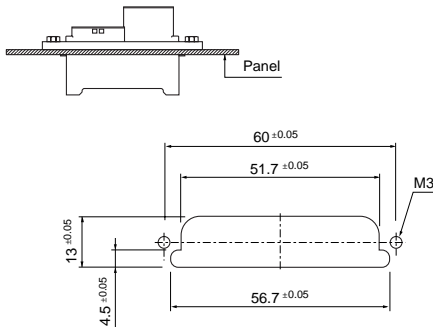
Panel layout and Assembly layout

Plug

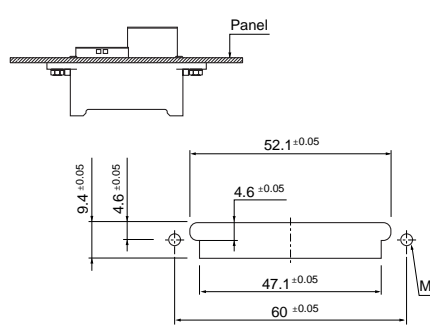
Hybrid type

Panel thickness: t0.8 to 2.0 mm

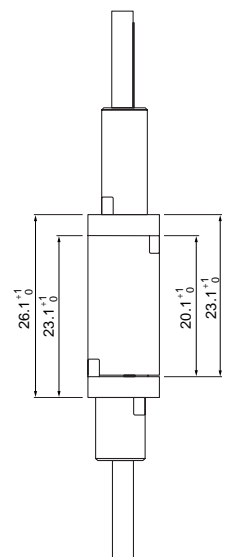
When mounting from mating side



When mounting from socket side



Hybrid type

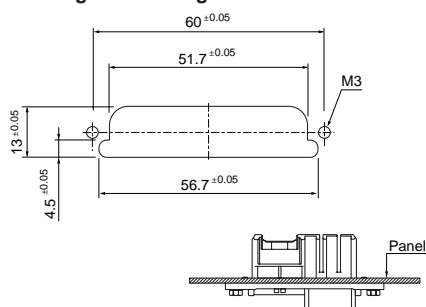


Receptacle

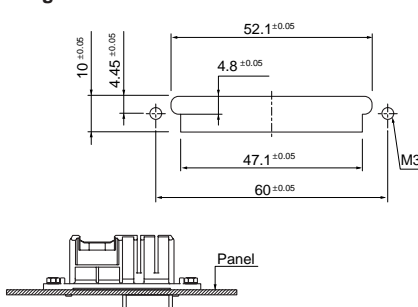
Hybrid type

Panel thickness: t0.8 to 2.0 mm

When mounting from mating side



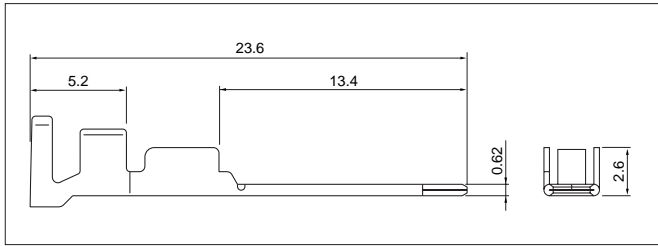
When mounting from socket side



- Note: 1. Punch holes in the panel according to the figures shown above. Burrs must be removed.
2. The strength of the panel must be considered when punching two or more holes.
3. The connector must be inserted from the same side as the hole is punched.

RIZ CONNECTOR L-Type

Plug contact for power supply circuit



Model No.	Applicable wire		Insulation O.D. (mm)	Q'ty/reel
	mm ²	AWG #		
SRWM-01GG-S0.6	0.2 ~0.5	24~20	1.4 ~1.9	4,000
SRWM-21GG-S0.6	0.3 ~0.75	22~18	1.55~3.1	3,000
SRWM-61GG-S0.6	0.75~2.0	18~14	2.0 ~3.6	3,000

Material and Finish

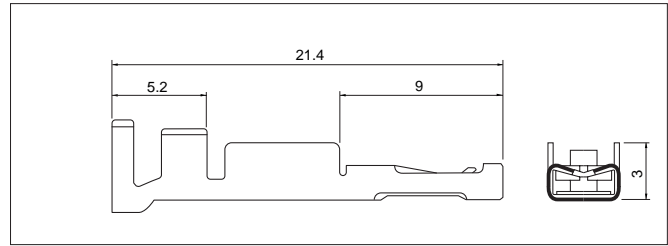
Copper alloy, nickel-undercoated, Contacting part; gold-plated
Crimping part; tin-plated (reflow treatment)

RoHS compliance This product displays (LF)(SN) on a label.

Contact	Crimping machine	Applicator		
		Crimp applicator	Dies	Crimp applicator with dies
SRWM-01GG-S0.6	AP-K2N	MKS-L	MK/SRPF/M-01-06	APLMK SRPF/M01-06
		-	-	-
SRWM-21GG-S0.6		MKS-L	MK/SRPF/M-21-06	APLMK SRPF/M21-06
		-	-	-
SRWM-61GG-S0.6		MKS-L	MK/SRPF/M-61-06	APLMK SRPF/M61-06
		-	-	-

Note: Contact JST for fully automatic crimping applicator.

Receptacle contact for power supply circuit



Model No.	Applicable wire		Insulation O.D. (mm)	Q'ty/reel
	mm ²	AWG #		
SRWF-01GG-M0.6	0.2 ~0.5	24~20	1.4 ~1.9	4,000
SRWF-21GG-M0.6	0.3 ~0.75	22~18	1.55~3.1	3,000
SRWF-61GG-M0.6	0.75~2.0	18~14	2.0 ~3.6	3,000

Material and Finish

Copper alloy, nickel-undercoated, Contacting part; gold-plated
Crimping part; tin-plated (reflow treatment)

RoHS compliance This product displays (LF)(SN) on a label.

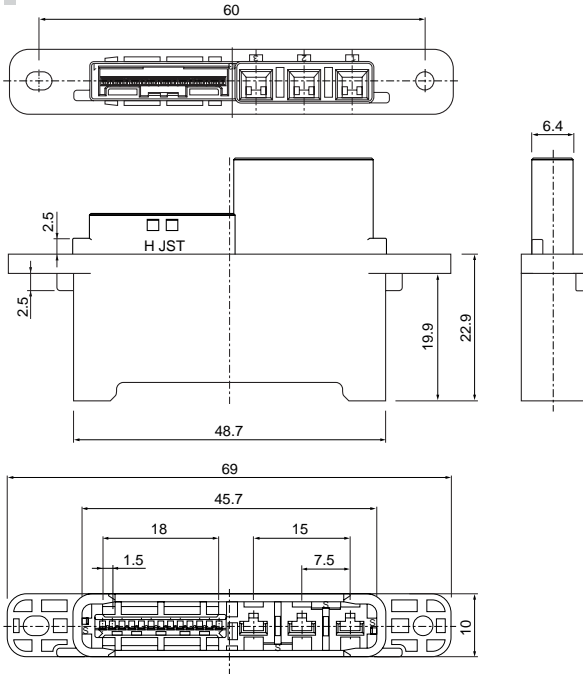
Contact	Crimping machine	Applicator		
		Crimp applicator	Dies	Crimp applicator with dies
SRWF-01GG-M0.6	AP-K2N	MKS-L	MK/SRPF/M-01-06	APLMK SRPF/M01-06
		-	-	-
SRWF-21GG-M0.6		MKS-L	MK/SRPF/M-21-06	APLMK SRPF/M21-06
		-	-	-
SRWF-61GG-M0.6		MKS-L	MK/SRPF/M-61-06	APLMK SRPF/M61-06
		-	-	-

Note: Contact JST for fully automatic crimping applicator.

RIZ CONNECTOR L-Type

Plug

Hybrid type
(Connector with integrated signal and power)



No. of circuits		Model No.	Q'ty/box
Power supply	Signal		
3	13	13LP-RIZ-K2GG-S3	45

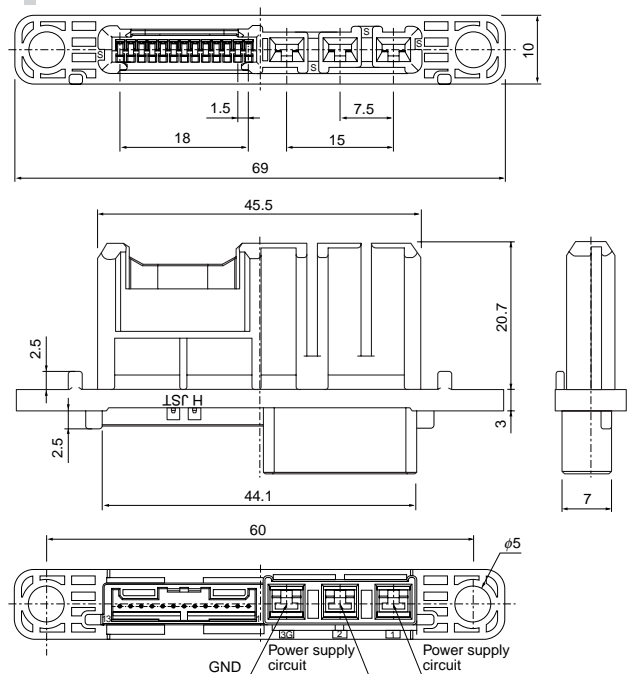
Material and Finish

Contact: Copper alloy, nickel-undercoated, selective gold-plated tin-plated (reflow-treatment)
Housing: PBT, UL94V-0, black

RoHS compliance This product displays (LF)(SN) on a label.

Receptacle

Hybrid type
(Connector with integrated signal and power)



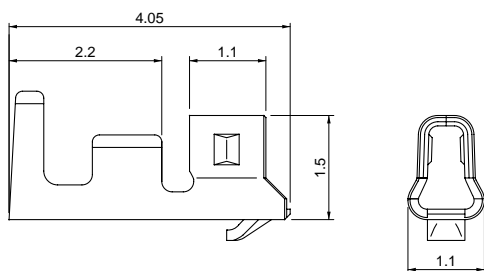
No. of circuits		Model No.	Q'ty/box
Power supply	Signal		
3	13	13LR-RIZ-K4GG-SR3	60

Material and Finish

Contact: Copper alloy, nickel-undercoated, selective gold-plated tin-plated (reflow-treatment)
Housing: PBT, UL94V-0, black

RoHS compliance This product displays (LF)(SN) on a label.

CZH connector contact (for RCZ connector)



Model No.	Applicable wire		Insulation O.D. (mm)	Q'ty/reel
	mm ²	AWG #		
SCZH-002T-P0.5	0.08~0.13	28~26	0.8~1.1	13,000

Material and Finish

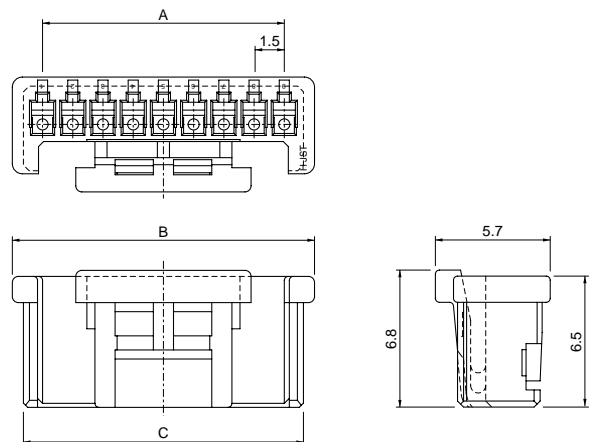
Copper alloy, tin-plated (reflow treatment)

RoHS compliance

Contact	Crimping machine	Applicator		
		Crimp applicator	Dies	Crimp applicator with dies
SCZH-002T-P0.5	AP-K2N	MKS-L	MK/SCZH-002-05	APLMK SCZH002-05

Note: Contact JST for fully automatic crimping applicator.

RCZ connector socket housing



No. of circuits	Model No.	Dimensions (mm)			Q'ty/bag
		A	B	C	
13	RCZR-13V-PS	18.0	21.0	19.9	1,000

Material

PA 66, UL94V-0

RoHS compliance This product displays (LF)(SN) on a label.