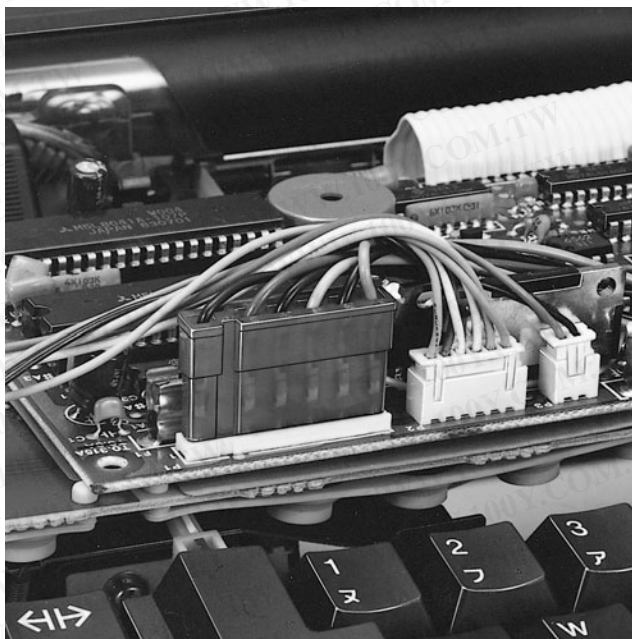


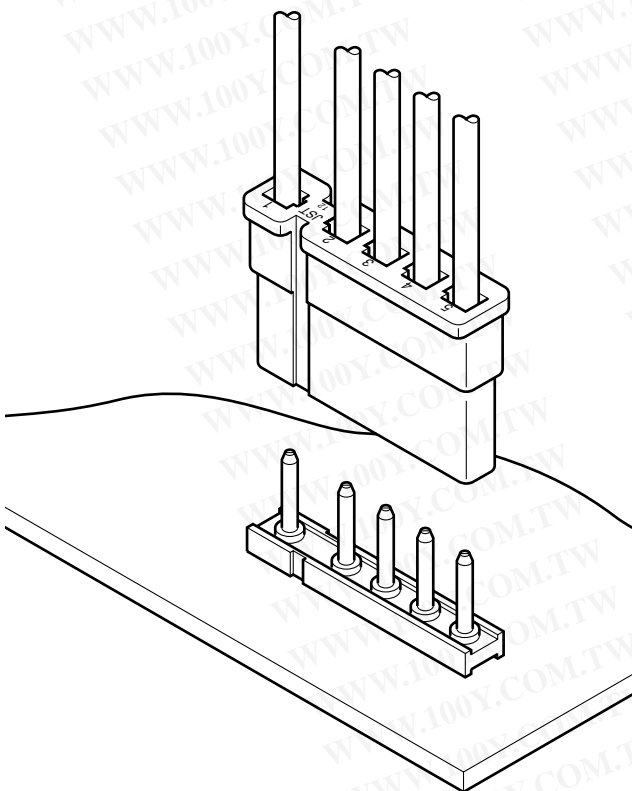
V CONNECTOR

Disconnectable Crimp style connectors

勝特力材料 886-3-5753170
 勝特力电子(上海) 86-21-34970699
 勝特力电子(深圳) 86-755-83298787
 Http://www.100y.com.tw



The V connector can have from two to six circuits. A single contact position is provided 7.5mm away from the adjacent position, while the pitch of other positions is 5.0mm. This prevents reverse connection of the receptacle and header.



Features

• Anti-misinsertion construction

One position has a different pitch than the others. This provides the connector with polarization and prevents misinsertion.

• Two-point contact

Each contact has two wiping areas which ensure stable and reliable connection.

Specifications

- Current rating: 5A AC, DC (AWG #20)
- Voltage rating: 250V AC, DC
- Temperature range: -25°C to +85°C
(including temperature rise in applying electrical current)
- Contact resistance: Initial value/10m Ω max.
After environmental testing/20m Ω max.
- Insulation resistance: 1,000M Ω min.
- Withstanding voltage: 1,500V AC/minute
- Applicable wire: AWG #26 to #20
- Applicable PC board thickness: 1.6mm
- * Compliant with RoHS.
- * Refer to "General Instruction and Notice when using Terminals and Connectors" at the end of this catalog.
- * Contact JST for details.

Standards

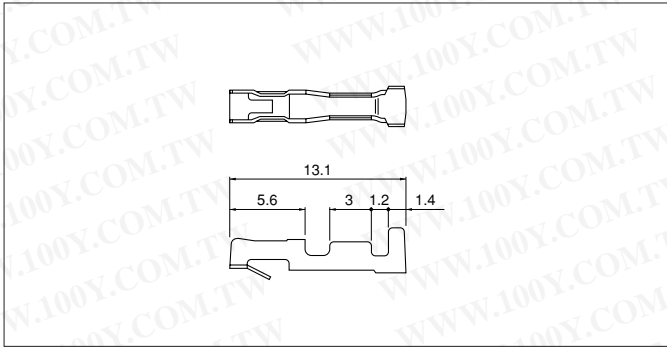
Recognized E60389

Certified LR20812

R75171

V CONNECTOR

Contact



Model No.	Applicable wire			Q'ty / reel
	mm ²	AWG #	Insulation O.D. (mm)	
SVF-01T-1.5A	0.13 to 0.5	26 to 20	1.3 to 2.7	15,000

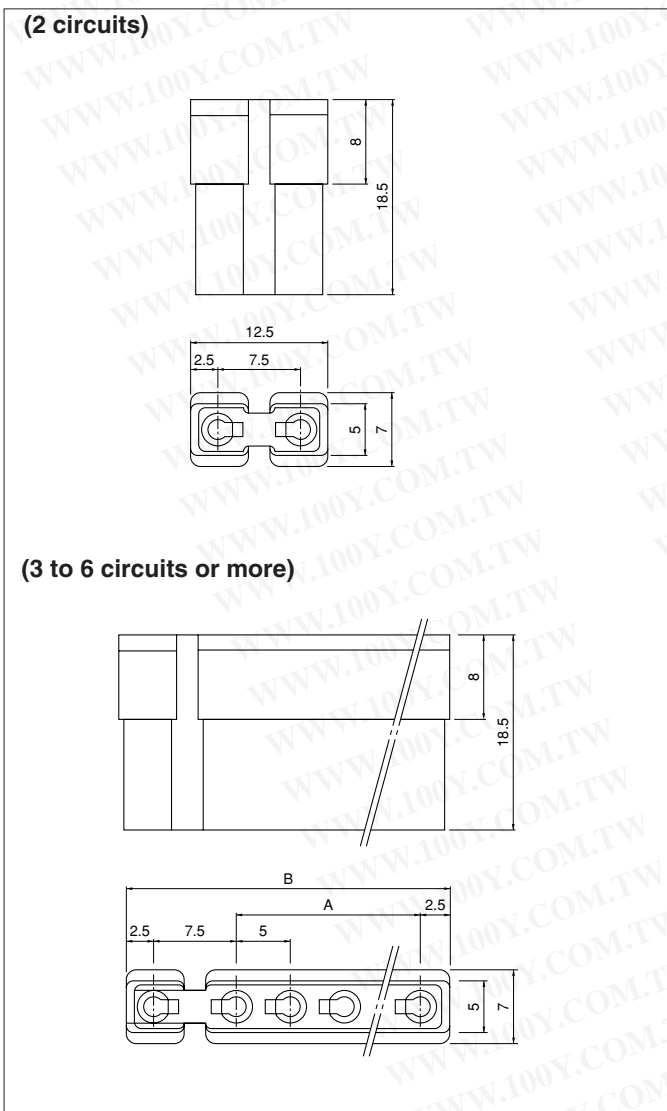
Material and Finish

Brass, tin-plated (reflow treatment)

RoHS compliance

Note: Contact JST for details if you require shielded wires, thin wires or other special wires, or if two wires must be crimped in one contact.

Housing



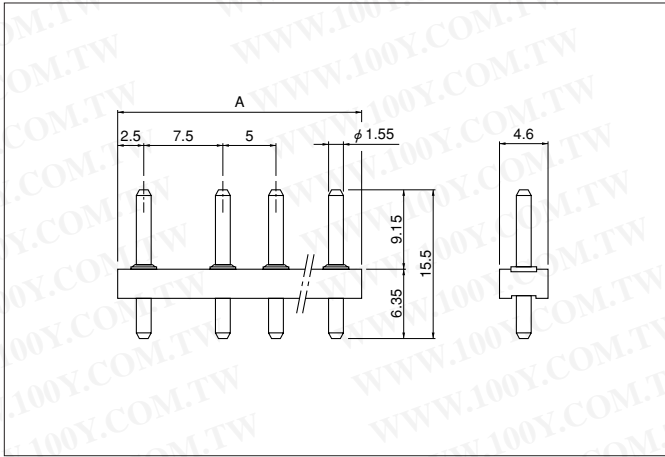
Circuits	Model No.		Dimensions (mm)		Q'ty / bag
			A	B	
2	2P-SVF	2P-SVF-V	-	-	1,000
3	3P-SVF	3P-SVF-V	5.0	17.5	1,000
4	4P-SVF	4P-SVF-V	10.0	22.5	500
5	5P-SVF	5P-SVF-V	15.0	27.5	500
6	6P-SVF	6P-SVF-V	20.0	32.5	500

Material

PA 6, ()P-SVF...UL94V-2, ()P-SVF-V...UL94V-0, natural (white)

RoHS compliance

Header



Circuits	Model No.	Dimension A (mm)	Q'ty / box
2	RTB-1.5-2P	12.5	1,000
3	RTB-1.5-3P	17.5	1,000
4	RTB-1.5-4P	22.5	500
5	RTB-1.5-5P	27.5	500
6	RTB-1.5-6P	32.5	250

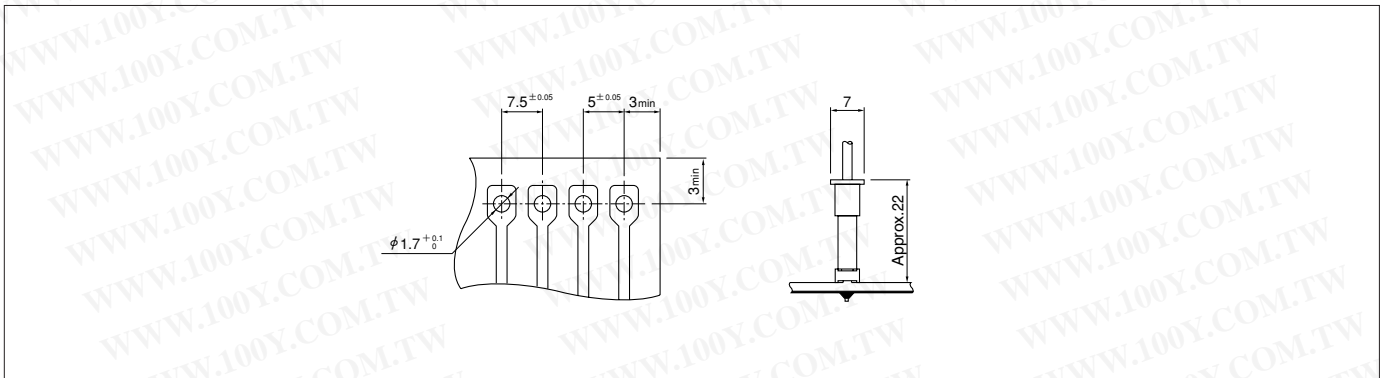
Material and Finish

Pin: Brass, nickel-undercoated, tin/copper alloy-plated
Wafer: Glass-filled PBT, UL94V-0, natural (white)

RoHS compliance This product displays (LF)(SN) on a label.

勝特力材料 886-3-5753170
 勝特力电子(上海) 86-21-34970699
 勝特力电子(深圳) 86-755-83298787
[Http://www.100y.com.tw](http://www.100y.com.tw)

PC board layout (viewed from soldering side) and Assembly layout



Note:

1. Tolerances are non-cumulative: $\pm 0.05\text{mm}$ for all centers.
2. Hole dimensions differ according to the kind of PC board and piercing method. The dimensions above should serve as a guideline. Contact JST for details.

Crimping machine, Applicator

Contact	Crimping machine	Crimp applicator	Dies	Crimp applicator with dies
SVF-01T-1.5A	AP-K2N	MK-L	MK/SVF-01-15A	APLMK SVF01-15A