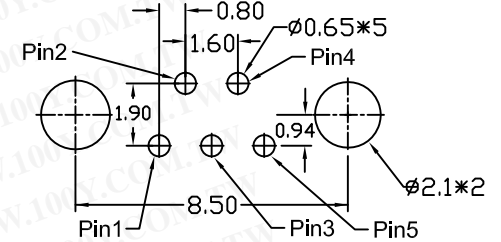
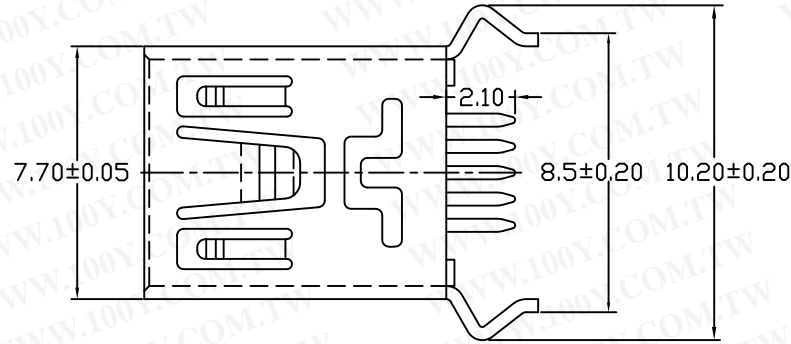




RoHS
Compliant
2002/95/EC

勝特力材料 886-3-5753170
勝特力电子(上海) 86-21-34970699
勝特力电子(深圳) 86-755-83298787
Http://www.100y.com.tw

REV	LTR	DESCRIPTION	DATE	REVISER	APPD



RECOMMENDED PCB LAYOUT

MNOTES:

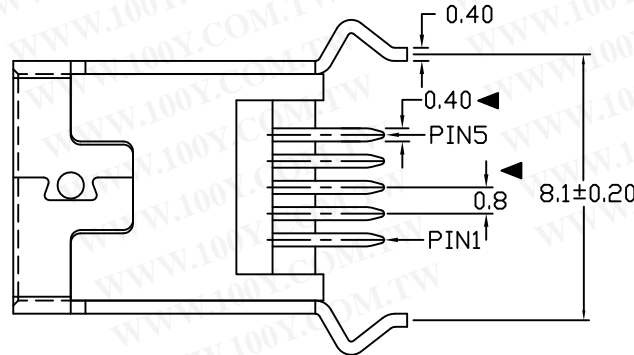
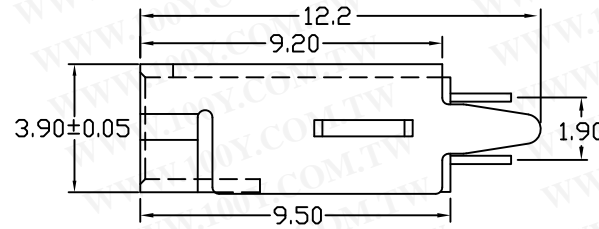
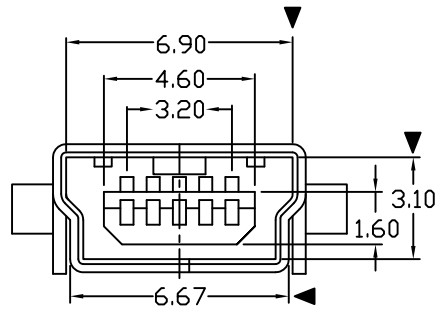
- ELECTRICAL CHARACTERISTIC:
 - VOLTAGE CURRENT RATING: 1AMP,30V DC;
 - INSULATION RESISTANCE: 100MΩ MIN;
 - CONTACT RESISTANCE: 50mΩ MAX;
 - WITHSTANDING VOLTAGE: 300V AC;
- Mechanical:
 - Mating Force: 35N MAX
 - Unmating Force: 10N MIN.
- DIMENSIONS MARKED "▼" TO BE CHECKED BY Q.C & IPQC.
- PART,NO

MUBF-05*N-4BP80

1:Au 1U"
6:Au 30U"

W:WHITE
B:BLACK

1:PBT
2:PA6T
3:PA9T
4:LCP



Bill of materials:

NO	PARTS	MATERIAL	QTY	FINISHING	X. ±0.3	X.* ±2'	UNITS	mm
3	HOUSING	LCP , BLACK, UL94 V-0	1	UL 94V-0	.X ±0.2	.X* ±1'	MAT'L	SEE NOTE
2	SHELL	COPPER ALLOY, C2680	1	PLATED Ni	.XX ±0.15	.XX*	FINISH	SEE NOTE
1	TERMINAL	COPPER ALLOY, C5191	5	GOLD/TIN PLATED	.XXX ±0.10	.XXX*	Q'TY	SEE NOTE
<small>THESE DRAWINGS AND SPECIFICATIONS ARE THE PROPERTY OF ACCURATE INNOTECH INC AND SHALL NOT BE REPRODUCED, COPIED OR USED IN ANY MANNER WITHOUT THE PRIOR WRITTEN CONSENT OF ACCURATE INNOTECH INC</small>								

TITLE: MINI USB 5P/F 180° DIP B型 (弯脚)	PART NO.: MUBF-05*N-4BP80
DR: Sandy 2009/8/17	DWG NO.: AII-P80
CHKD: Sandy 2009/8/18	SCALE SHEET REV. ENGINEERING 1:1 1/1 A DRAWING