

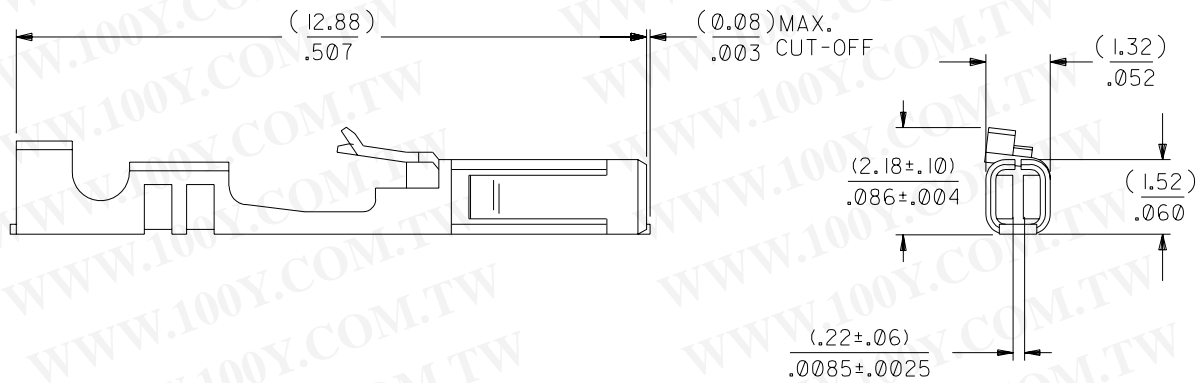
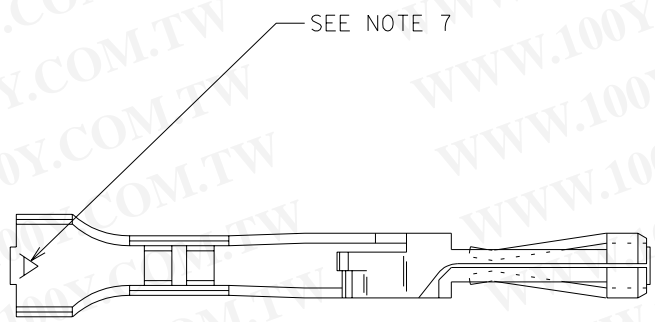
**NOTES:**

1. TERMINAL TO BE USED IN HOUSINGS 70066-\*\*\*\* AND 70450-\*\*\*\*
2. REFER TO PRODUCT SPECIFICATION PS-70058
3. REFER TO MOLEX OPERATIONS AND SERVICE MANUAL FOR CRIMP DETAILS
4. TERMINAL TO BE USED WITH (0.64)/.025 SQUARE PINS
5. TERMINAL TO BE USED WITH 24-30 AWG STRANDED WIRE WITH (1.52)/.060 MAX. DIA. INSULATION
6. TERMINALS SUPPLIED LOOSE PER DRAWING PK-70873-0822
7. CRIMP SIZE INDICATOR A=24-30 AWG

\*THE PRIMARY SHIPPING CARTON WILL BE LABELED "COMPLIANT TO RoHS DIRECTIVE 2002/95/EC AND ELV ANNEX II OF DIRECTIVE 2000/53/EC". CARTONS WITHOUT THIS LABEL MAY CONTAIN PRODUCT WITH LEAD.

**PLATING:**

.000015 MIN. GOLD PLATE IN SELECT AREA,  
 .000075 MIN. TIN PLATE IN SELECT AREA,  
 OVER NICKEL PLATE OVERALL.



勝特力材料 886-3-5753170  
 勝特力电子(上海) 86-21-34970699  
 勝特力电子(深圳) 86-755-83298787  
[Http://www.100y.com.tw](http://www.100y.com.tw)

D		C1	C3		C2		B		A	
LEAD FREE UCP2004-1769 RWHITE 04/03/11		REVISED PER ECR *U70928 MCGRATH 97/06/26	ADD CRP SIZE&NOTE 7 ECN UDT1998-0183 MQWANG 04/17/98		REVISED ECR *U80270 MCGRATH 97/07/31		REDRAWN & REVISED PER ECR *U81133 03/02/88 MJM/JAS		TITLE  TERMINAL - BOX/CRIMP	
LTR. REVISIONS		LTR. REVISIONS	LTR. REVISIONS		LTR. REVISIONS		LTR. REVISIONS		LTR. REVISIONS	

DIMENSIONS SHOWN (METRIC) INCH UNLESS OTHERWISE SPECIFIED TOLERANCES: ANGULAR ± 1/2°		REVISIONS		REVISIONS		REVISIONS		REVISIONS		REVISIONS	
3 PLACE ± .005 ---		2 PLACE ± .01 ± 0.13		1 PLACE --- ± 0.25		DRAWING BY: JAS		CHECKED BY:		SCALE 10:1	
DRAWING BY: JAS		CHECKED BY:		SCALE 10:1		MOLLEX INCORPORATED LISLE, ILL. 60532 U.S.A.		SHEET NO. 1 OF 1		DATE 03/02/88	
PART NO. 016-02-0097		DRWG. NO. SD-70058-0206		FILE NAME S70058A6 DGN		DIV. DA		SIZE B		THIS DRAWING CONTAINS INFORMATION THAT IS PROPRIETARY TO MOLEX INC. AND SHOULD NOT BE USED WITHOUT WRITTEN PERMISSION.	