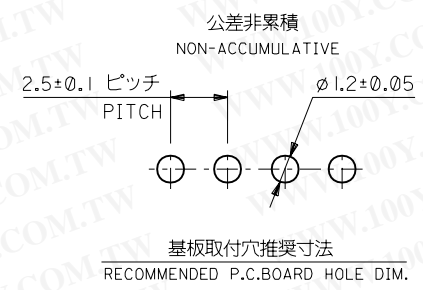
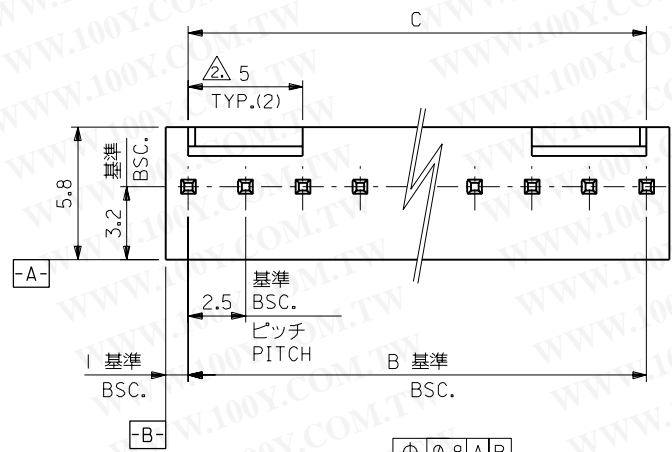


勝特力材料 886-3-5753170
 胜特力电子(上海) 86-21-34970699
 胜特力电子(深圳) 86-755-83298787
[Http://www.100y.com.tw](http://www.100y.com.tw)



注) NOTE.

1. 材料

MATERIAL

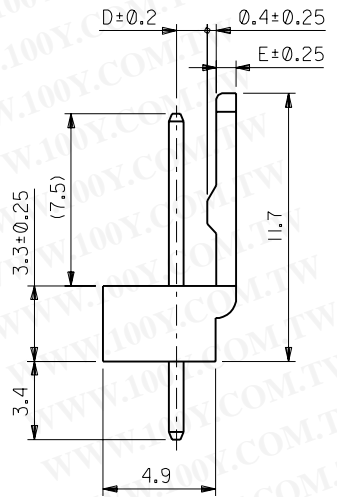
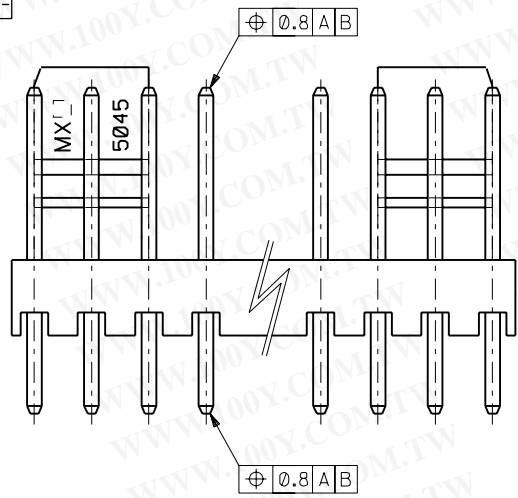
ピン : $\phi 0.635 \times 14.2$ 黄銅、銅下地錫メッキ
 PIN: 0.635×14.2 BRASS TIN OVER COPPER PLATING.
 ウエハー: ナイロン66, UL 94V-0
 WAFER: NYLON66, UL94V-0

2. 6極以上に適用

TO BE APPLIED FOR 6 CKT. AND MORE THEN 6 CKT.

3. 5極以下はロック部スリットなし

NO SLIT IS PROVIDED FOR 5 CKT. AND LESS THAN 5 CKT.



1.35	0.85	47.5 ^{+0.3} _{-0.45}	47.5	22-04-1201	5045-20A	20
↑	↑	45 ^{+0.3} _{-0.45}	45	-1191	-19A	19
		42.5 ^{+0.3} _{-0.45}	42.5	-1181	-18A	18
		40 ^{+0.3} _{-0.45}	40	-1171	-17A	17
		37.5 ^{+0.3} _{-0.45}	37.5	-1161	-16A	16
		35 ^{+0.3} _{-0.45}	35	-1151	-15A	15
		32.5 ^{+0.3} _{-0.45}	32.5	-1141	-14A	14
		30 ^{+0.3} _{-0.45}	30	-1131	-13A	13
		27.5 ^{+0.3} _{-0.45}	27.5	-1121	-12A	12
		25 ^{+0.3} _{-0.45}	25	-1111	-11A	11
		22.5 ^{+0.3} _{-0.45}	22.5	-1101	-10A	10
		20 ^{+0.3} _{-0.45}	20	-1091	-09A	9
		17.5 ^{+0.3} _{-0.45}	17.5	-1081	-08A	8
		15 ^{+0.3} _{-0.45}	15	-1071	-07A	7
		12.5 ^{+0.3} _{-0.45}	12.5	-1061	-06A	6
		10 ^{+0.3} _{-0.45}	10	-1051	-05A	5
1.35	0.85	7.5 ^{+0.3} _{-0.45}	7.5	-1041	-04A	4
↓	↓	5 ^{+0.3} _{-0.45}	5	-1031	-03A	3
1.2	1	2.5 ^{+0.3} _{-0.45}	2.5	22-04-1021	5045-02A	2
D	E	C	B	EDP.NO.	ENG.NO.	極数 CKT.

DWG. NO. SD-5045-NA

F

D

C

B

DO NOT SCALE DRAWING

DESIGN NO. DRAWN: CHK: APPR:	DESIGN NO. DRAWN: CHK: APPR:	DESIGN NO. DRAWN: CHK: APPR:	DESIGN NO. DRAWN: CHK: APPR:	DESIGN NO. DRAWN: CHK: APPR:	DESIGN NO. DRAWN: CHK: APPR:	DESIGN NO. DRAWN: CHK: APPR:	DESIGN NO. DRAWN: CHK: APPR:
REDRAWN	REDRAWN	REDRAWN	REDRAWN	REDRAWN	REDRAWN	REDRAWN	REDRAWN
DESIGN NO. JC2000-0629	DESIGN NO. JC2000-0629	DESIGN NO. JC2000-0629	DESIGN NO. JC2000-0629	DESIGN NO. JC2000-0629	DESIGN NO. JC2000-0629	DESIGN NO. JC2000-0629	DESIGN NO. JC2000-0629
DRAWN: K.KOHAMA	DRAWN: K.KOHAMA	DRAWN: K.KOHAMA	DRAWN: K.KOHAMA	DRAWN: K.KOHAMA	DRAWN: K.KOHAMA	DRAWN: K.KOHAMA	DRAWN: K.KOHAMA
CHK: T.YAMAGUCHI	CHK: T.YAMAGUCHI	CHK: T.YAMAGUCHI	CHK: T.YAMAGUCHI	CHK: T.YAMAGUCHI	CHK: T.YAMAGUCHI	CHK: T.YAMAGUCHI	CHK: T.YAMAGUCHI
APPR: M.FUKUSHIMA	APPR: M.FUKUSHIMA	APPR: M.FUKUSHIMA	APPR: M.FUKUSHIMA	APPR: M.FUKUSHIMA	APPR: M.FUKUSHIMA	APPR: M.FUKUSHIMA	APPR: M.FUKUSHIMA
REV	REV	REV	REV	REV	REV	REV	REV
DESCRIPTION	DESCRIPTION	DESCRIPTION	DESCRIPTION	DESCRIPTION	DESCRIPTION	DESCRIPTION	DESCRIPTION
INS. RANGE	INS. RANGE	INS. RANGE	INS. RANGE	INS. RANGE	INS. RANGE	INS. RANGE	INS. RANGE
WIRE RANGE	WIRE RANGE	WIRE RANGE	WIRE RANGE	WIRE RANGE	WIRE RANGE	WIRE RANGE	WIRE RANGE
FINISH	FINISH	FINISH	FINISH	FINISH	FINISH	FINISH	FINISH
MATERIAL	MATERIAL	MATERIAL	MATERIAL	MATERIAL	MATERIAL	MATERIAL	MATERIAL

注記参照
 SEE NOTES

GENERAL TOLERANCES:
 (UNLESS SPECIFIED)
 一般公差

SCALE 5:1
 DESIGN UNITS
 mm INCH

APPROVED BY & DATE
 M.FUKUSHIMA 007/3/30

TITLE:
 KK 2.5 WAFER ASS'Y
 WITH LOCK

MOLEX INCORPORATED

CAD FILENAME: S5045.S01
 MATERIAL NO.: 5045-***A
 DRAWING NO.: SD-5045-NA
 SHEET NO.: 1

THIS DRAWING CONTAINS INFORMATION THAT IS PROPRIETARY TO MOLEX INCORPORATED AND SHOULD NOT BE USED WITHOUT WRITTEN PERMISSION.