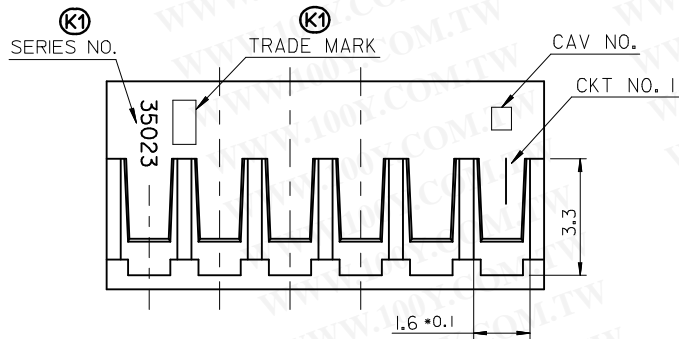
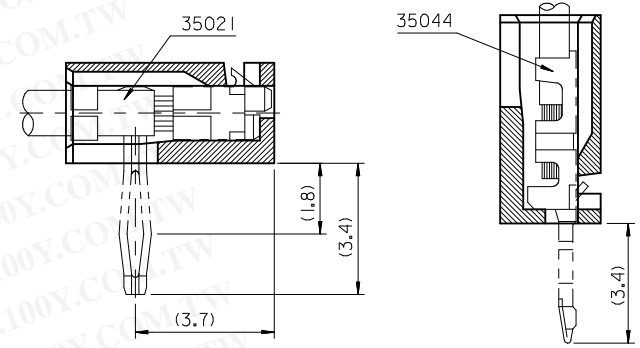
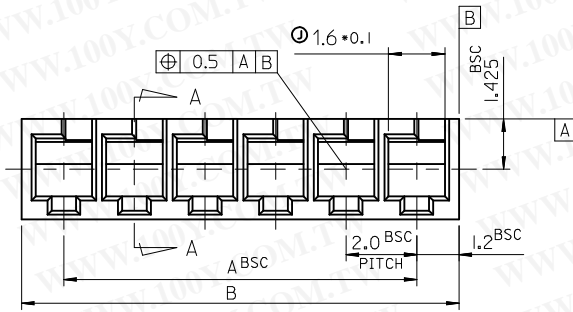
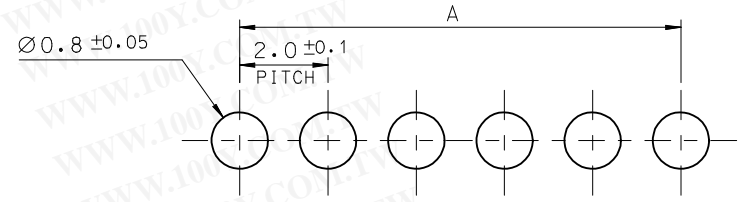


10 9 8 7 6 5 4 3 2 1



RIGHT ANGLE TYPE

STRAIGHT TYPE

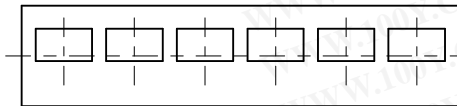


P.C. BOARD LAY OUT
(THK.: 1.6 ±)

(K1)* LEGEND

35023 - 00**

CKT NO.(02,03,04...)



勝特力材料 886-3-5753170
勝特力电子(上海) 86-21-34970699
勝特力电子(深圳) 86-755-83298787
[Http://www.100y.com.tw](http://www.100y.com.tw)

NOTE

1. MATERIAL : POLYAMIDE 66(PA66), UNFILLED, UL94V-0; COLOR: IVORY
2. PRODUCT SPECIFICATION : PS-35023-001
3. PACKAGING SPECIFICATION : PK-35023-001
4. APPLICABLE TERMINAL :

R/A: 35021-1201/1301/1310/1360
 ST.: 35044-9101/9102/9110/9210
 35044-9160/9260

B	A	ENG NO.	CKT NO.	B	A	ENG NO.	CKT NO.
32.4	30.0	35023- 00**	16	18.4	16.0	- 00**	9
30.4	28.0	- 00**	15	14.4	14.0	- 00**	8
28.4	26.0	- 00**	14	12.4	10.0	- 00**	7
26.4	24.0	- 00**	13	10.4	8.0	- 00**	6
24.4	22.0	- 00**	12	8.4	6.0	- 00**	5
22.4	20.0	- 00**	11	6.4	4.0	- 00**	4
20.4	18.0	- 00**	10	4.4	2.0	35023- 00**	3
B	A	ENG NO.	CKT NO.	B	A	ENG NO.	CKT NO.

A

REVISED EC NO: KOR2013-0030 DRWN:SKCHO CHKD: APPR:YSKI/02 2012/09/04 2012/09/17	QUALITY SYMBOLS ▽=0 ◻=0	GENERAL TOLERANCES (UNLESS SPECIFIED)		DIMENSION STYLE MM ONLY		SCALE 1/1	DESIGN UNITS METRIC	THIRD ANGLE PROJECTION	
		mm	INCH	DRAWN BY HS.SHIN	DATE 1993/10/26	TITLE 2.0 PITCH B-IN CONN. HOUSING(S/T)			
		4 PLACES ± --- ± ---	3 PLACES ± --- ± ---	CHECKED BY JK.OH	DATE 1993/10/26	molex SD-35023-001 SHEET NO. 1 OF 1			
		2 PLACES ± 0.2 ± ---	1 PLACE ± 0.3 ± ---	APPROVED BY CW.LEE	DATE 1993/10/26				
ANGULAR ± 1 °		MATERIAL NO.		DOCUMENT NO.					
DRAFT WHERE APPLICABLE MUST REMAIN WITHIN DIMENSIONS		SEE TABLE		THIS DRAWING CONTAINS INFORMATION THAT IS PROPRIETARY TO MOLEX INCORPORATED AND SHOULD NOT BE USED WITHOUT WRITTEN PERMISSION					

9 8 7 6 5 4 3 2 1