

**PLEASE CHECK WWW.MOLEX.COM FOR LATEST PART INFORMATION**

**Part Number:** [0353621050](#)  
**Status:** **Active**  
**Overview:** [Sherlock Wire-to-Board Connector System](#)  
**Description:** 2.00mm Pitch Sherlock Wire-to-Board Header, Vertical, with Positive Lock, 10 Circuits, with Kinked PC Tails, Natural

**Documents:**

[3D Model](#) [Packaging Specification PK-35362-001-001 \(PDF\)](#)  
[Drawing \(PDF\)](#) [RoHS Certificate of Compliance \(PDF\)](#)  
[Product Specification PS-35507-003-001 \(PDF\)](#)

**Agency Certification**

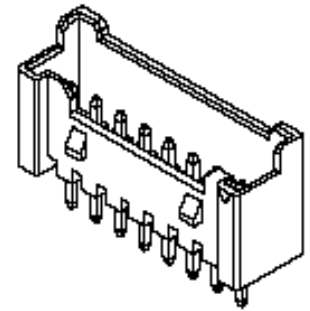
CSA LR19980  
UL E29179

**General**

Product Family PCB Headers  
Series [35362](#)  
Application Signal, Wire-to-Board  
CURRENT-MAX-NUMERIC 2.0  
Overview [Sherlock Wire-to-Board Connector System](#)  
PITCH-MATING-NUMERIC 2.00  
Product Name Sherlock  
UPC 822348259809

**Physical**

Breakaway No  
Circuits (Loaded) 10  
Circuits (maximum) 10  
Color - Resin Natural  
Durability (mating cycles max) 30  
First Mate / Last Break No  
Flammability 94V-0  
Glow-Wire Capable No  
Guide to Mating Part No  
Keying to Mating Part None  
Lock to Mating Part Yes  
Mated Height 8.50mm  
Material - Plating Mating Tin  
Material - Plating Termination Tin  
Material - Resin Nylon  
Net Weight 570.900/mg  
Number of Rows 1  
Orientation Vertical  
PC Tail Length 3.30mm  
PCB Locator No  
PCB Retention Yes  
PCB Thickness - Recommended 1.60mm  
Packaging Type Bag  
Pitch - Mating Interface 2.00mm  
Pitch - Termination Interface 2.00mm  
Polarized to Mating Part Yes  
Polarized to PCB No  
Shrouded Partial  
Stackable No  
Surface Mount Compatible (SMC) No  
Temperature Range - Operating -40° to +105°C



Series image - Reference only

**EU ELV**

**Not Relevant**

**EU RoHS**

**Compliant**

**REACH SVHC**

Not Contained Per  
-ED/88/2018 (15  
January 2019)

**Halogen-Free**

**Status**

**Low-Halogen**

For more information, please visit [Contact US](#)

China ROHS

ELV

RoHS Phthalates

**China RoHS**

Green Image

Not Relevant

Not Contained

**Search Parts in this Series**

[35362](#) Series

**Mates With**

[35507](#) Sherlock Wire-to-Board Housing

**Use With**

[502128000](#) Terminal

Termination Interface: Style

Through Hole

**Electrical**

Current - Maximum per Contact

2.0A

Voltage - Maximum

125V

**Material Info**

**Reference - Drawing Numbers**

Packaging Specification

PK-35362-001-001

Product Specification

PS-35507-003-001

Sales Drawing

SD-35362-002-001, SD-35362-002-002

This document was generated on 06/05/2019

**PLEASE CHECK [WWW.MOLEX.COM](http://WWW.MOLEX.COM) FOR LATEST PART INFORMATION**