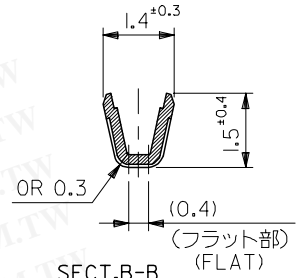
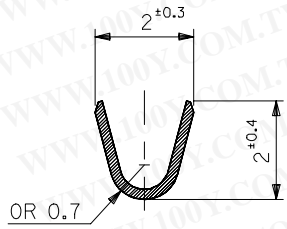
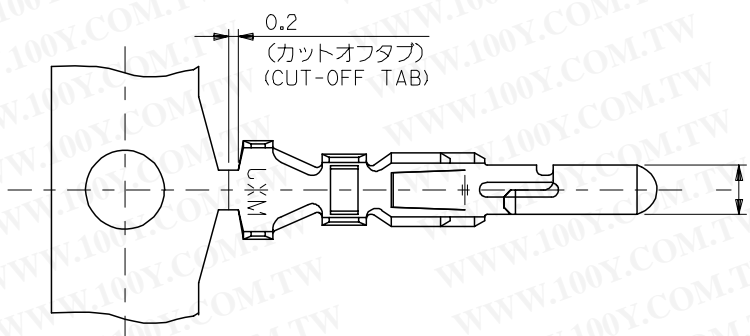
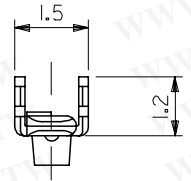
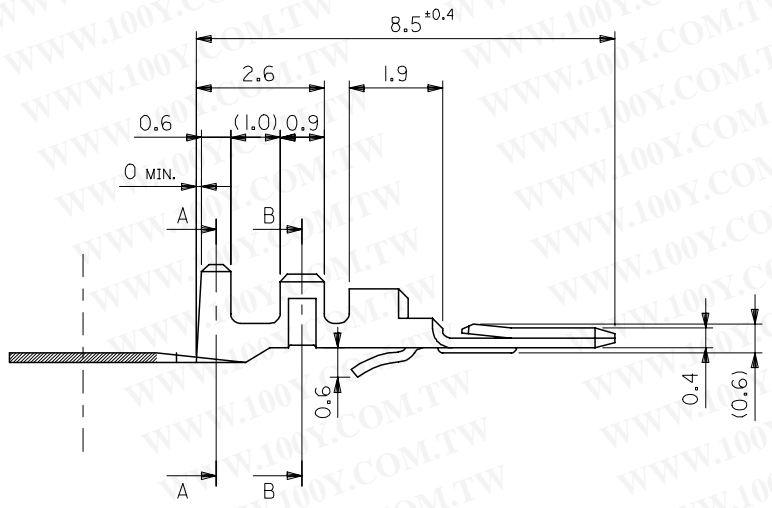


10 9 8 7 6 5 4 3 2 1



SECT.A-A

SECT.B-B



注記
NOTES

1. 適合ハウジング : 51006
APPLICABLE HOUSING : 51006
2. 嵌合相手 : 50013
MATE WITH : 50013
3. ELV 及び RoHS適合品
ELV AND RoHS COMPLIANT.

勝特力材料 886-3-5753170
胜特力电子(上海) 86-21-34970699
胜特力电子(深圳) 86-755-83298787
[Http://www.100y.com.tw](http://www.100y.com.tw)

材料 MATERIAL	リン青銅 錫メッキ (t=0.2) PHOS. BRO. PRE-TINNED (t=0.2)
仕上げ FINISH	—
適用電線範囲 WIRE RANGE	AWG#24 - #28
被覆外径 INS. RANGE	φ0.9 - φ1.15

REVISED	EC NO: J2008-0075	2007/07/16
DRW: MABEI	2007/07/17	
CHKD: THARUYAMA	2007/07/17	
APPR: NUKITA	2007/07/17	
DESCRIPTION		
REV	C	

GENERAL TOLERANCES (UNLESS SPECIFIED)	
10 UNDER	±0.2
10 OVER 30 UNDER	±0.25
30 OVER	±0.3
ANGULAR	±3 °
DRAFT WHERE APPLICABLE MUST REMAIN WITHIN DIMENSIONS	

DIMENSION STYLE MM ONLY	
DRAWN BY	DATE
T. YASUI	'95/08/21
CHECKED BY	DATE
H. HIRAMOTO	'95/08/22
APPROVED BY	DATE
M. FUKUSHIMA	'95/08/22
MATERIAL NO.	
SIZE	A3

SCALE	10:1
DESIGN UNITS	METRIC
THIRD ANGLE PROJECTION	
TITLE 2.0 WIRE TO WIRE CONN. CRIMP PIN	
MOLEX INCORPORATED	
DOCUMENT NO.	SD-50012-001
SHEET NO.	1 OF 1

50012-8100	バラ状 LOOSE
50012-8000	連鎖状 CHAIN
50012-8*00	端子形状 FORM
MODEL NO.	MATERIAL NO.