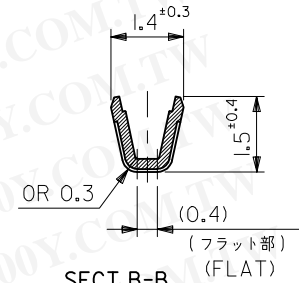
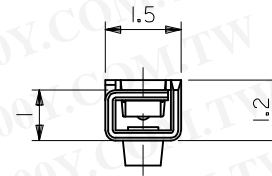
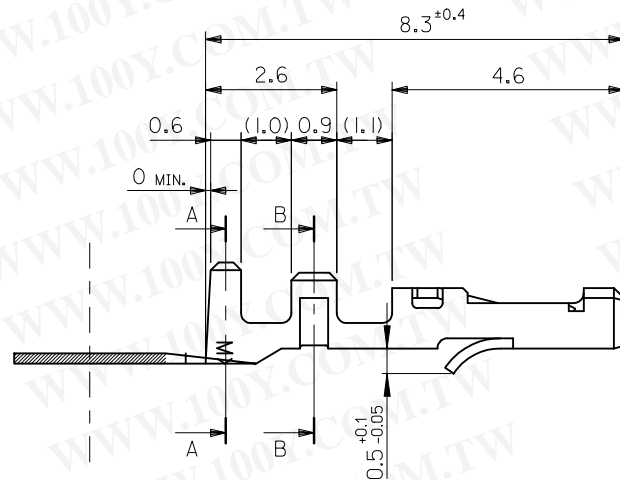


SECT.A-A



SECT.B-B



注記
NOTES

- 適合ハウジング : 51005
APPLICABLE HOUSING : 51005
- 嵌合相手 : 50012
MATE WITH : 50012
- ELV 及び RoHS 適合品
ELV AND RoHS COMPLIANT.

勝特力材料 886-3-5753170
胜特力电子(上海) 86-21-34970699
胜特力电子(深圳) 86-755-83298787
[Http://www.100y.com.tw](http://www.100y.com.tw)

材料 MATERIAL	リン青銅 錫メッキ (t=0.2) PHOS. BRO. PRE-TINNED (t=0.2)
仕上げ FINISH	#
適用電線範囲 WIRE RANGE	AWG#24 ~ #28
被覆外径 INS. RANGE	φ0.9 ~ φ1.15

REVISED	EC NO: J2010-0035
DRWN: TAKAGAWA01	2009/07/06
CHKD: MATSUMOTO	2009/07/06
APPR: NUKITA	2009/07/06

DESCRIPTION	GENERAL TOLERANCES (UNLESS SPECIFIED)
REV	10 UNDER ±0.2
	10 OVER 30 UNDER ±0.25
	30 OVER ±0.3
	ANGULAR ±3 °
	DRAFT WHERE APPLICABLE MUST REMAIN WITHIN DIMENSIONS

DRAWN BY	DATE	TITLE
T. YASUI	'95/08/21	2.0 WIRE TO WIRE CONN. CRIMP REC.
CHECKED BY	DATE	
H. HIRAMOTO	'95/08/22	
APPROVED BY	DATE	
M. FUKUSHIMA	'95/08/22	
MATERIAL NO.		

SCALE	10:1	DESIGN UNITS	METRIC	THIRD ANGLE PROJECTION
MODEL NO.	50013-8×00	MATERIAL NO.	50013-8100	バラ状 LOOSE
			50013-8000	連鎖状 CHAIN
				端子形状 FORM
SEE TABLE		DOCUMENT NO.	SD-50013-001	SHEET NO. 1 OF 1
THIS DRAWING CONTAINS INFORMATION THAT IS PROPRIETARY TO MOLEX INCORPORATED AND SHOULD NOT BE USED WITHOUT WRITTEN PERMISSION				