

This document was generated on 12/21/2021

PLEASE CHECK WWW.MOLEX.COM FOR LATEST PART INFORMATION

Part Number: **5017843008**
Status: **Active**
Overview: Easy-On FFC FPC Connectors
Description: 0.50mm Pitch FFC-to-Board Plug Jacket Cover, with Ground Type, 30 Circuits

Documents:

[3D Model](#) [Application Specification 5017832000-A00 \(PDF\)](#)
[Drawing \(PDF\)](#) [Packaging Specification SPK-501784-001-001 \(PDF\)](#)
[3D Model \(PDF\)](#) [RoHS Certificate of Compliance \(PDF\)](#)
[Product Specification PS-501864-004-001 \(PDF\)](#)

Agency Certification

UL E29179

General

Product Family Accessories
Series [501784](#)
Comments Requires a custom FFC with notches
Component Type Jacket Cover
Overview [Easy-On FFC FPC Connectors](#)
Product Name Easy-On
UPC 822350718608

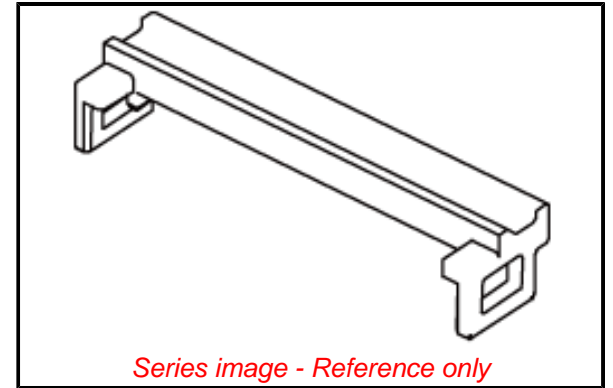
Physical

Breakaway No
Circuits (Loaded) 30
Circuits (maximum) 30
Color - Resin Black
Flammability 94V-0
Gender Plug
Material - Resin Polyester
Net Weight 149.500/mg
Packaging Type Bag
Polarized to Mating Part Yes
Temperature Range - Operating -40° to +105°C

Material Info

Reference - Drawing Numbers

Application Specification [5017832000-A00](#)
Packaging Specification [SPK-501784-001-001](#)
Product Specification [PS-501864-004-001](#)
Sales Drawing [SD-501784-005-001](#)



Series image - Reference only

EU ELV

Not Relevant

EU RoHS

Compliant

REACH SVHC

Not Contained Per -
D(2021)4569-DC (8
July 2021)

Halogen-Free

Status

Not Low-Halogen

For more information, please visit [Contact US](#)

China ROHS

ELV

RoHS Phthalates

China RoHS

Green Image

Not Relevant

Not Contained

Search Parts in this Series

[501784](#) Series

Use With

[501786](#) FFC-to-Board Connector, [501864](#)
FFC-to-Board Connector, [501783](#) Plug
Jacket

This document was generated on 12/21/2021

PLEASE CHECK WWW.MOLEX.COM FOR LATEST PART INFORMATION

Mouser Electronics

Authorized Distributor

Click to View Pricing, Inventory, Delivery & Lifecycle Information:

[Molex:](#)

[501784-3008](#)