

注) NOTES

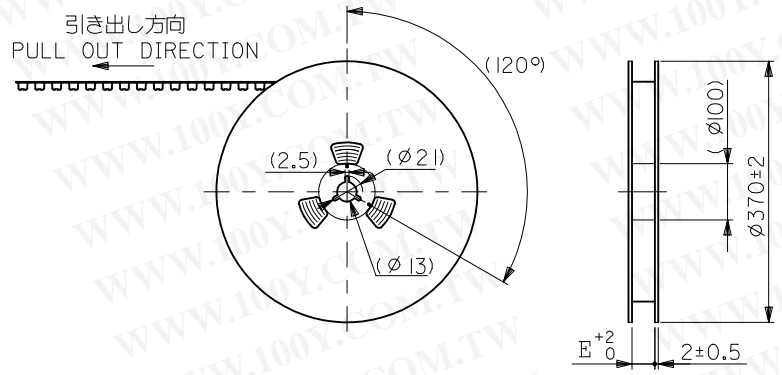
- 材質 MATERIAL
ハウジング: ガラス入りLCP、白色、UL 94V-0
HOUSING: G.F.LCP, WHITE, UL94V-0
ターミナル: 銅合金 (t=0.2)
TERMINAL: COPPER ALLOY
吸着カバー: ステンレス (t=0.2)
VACUUM COVER: STAINLESS STEEL
補強金具: 銅合金 (t=0.25)
FITTING NAIL: COPPER ALLOY
- メッキ仕様 PLATING
ターミナル: 接点部: 金メッキ 0.25µmMIN.
CONTACT AREA: GOLD 0.25µmMIN.
TERMINAL: 半田付け部: 錫メッキ 1µmMIN.
SOLDER TAIL AREA: TIN 1µmMIN.
下地メッキ: ニッケルメッキ 2µmMIN.
UNDER-PLATING: NICKEL 2µmMIN.
- テールのバラツキ寸法 TAIL COPLANARITY
テール平坦度は、0.1 MAX.とする。
TAILS COPLANARITY TO BE 0.1 MAX.
- エンボス対応済みの種別については、SD-52901-009を参照下さい。
FOR THE EMBOSSED PACKAGE PRODUCTS, SEE SD-52901-009.
- 本製品は 52901-**** の鉛フリー品である。
THIS PRODUCT IS LEAD FREE OF 52901-****.

勝特力材料 886-3-5753170
勝特力電子(上海) 86-21-34970699
勝特力電子(深圳) 86-755-83298787
[Http://www.100y.com.tw](http://www.100y.com.tw)

無し NO	55.07	53.47	50.165	58.67	52901-1674	160	
	48.72	47.12	43.815	52.32	-1474	140	
	42.37	40.77	37.465	45.97	-1274	120	
	36.02	34.42	31.115	39.62	-1074	100	
	32.85	31.25	27.94	36.45	-0974	90	
有り YES	29.67	28.07	24.765	33.27	-0874	80	
	26.5	24.9	21.59	30.1	-0774	70	
	23.32	21.72	18.415	26.92	-0674	60	
	16.97	15.37	12.065	20.57	-0474	40	
	13.8	12.2	8.89	17.4	-0374	30	
ハウジングロック HS'G LOCK	D	C	B	A	エンボス梱包 EMBOSSED PACKAGING	スティック梱包 STICK PACKAGING	種数 CKT. NO.
CONNECTORS SERIES No.						52901-**72	

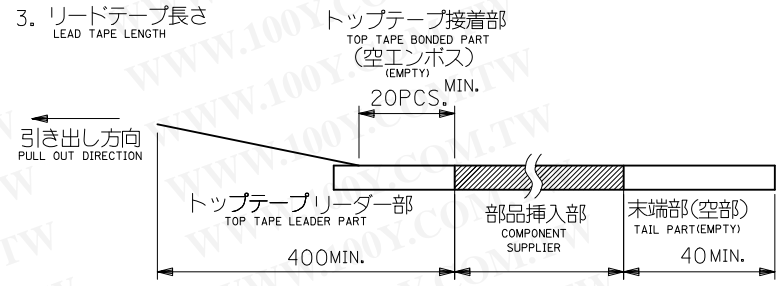
REVISED EC NO: J2012-1233 DRWN: KAIHO CHKD: TASAKAWA APPR: MSASAO	DESCRIPTION 2012/03/16 2012/03/16 2012/03/19	GENERAL TOLERANCES (UNLESS SPECIFIED)		DIMENSION STYLE MM ONLY		SCALE ---		DESIGN UNITS METRIC		THIRD ANGLE PROJECTION		
		10 UNDER	±0.2	DRAWN BY	DATE	TITLE						
		10 OVER 30 UNDER	±0.25	M. NINOMIYA	'04/03/04	0.635 PITCH B-TO-B CONN. REC. HS'G COVER ASS'Y -LEAD FREE-						
		30 OVER	±0.3	K. TOJO	'04/03/04	MOLEX INCORPORATED						
ANGULAR ±3 °		DRAFT WHERE APPLICABLE MUST REMAIN WITHIN DIMENSIONS		APPROVED BY M. SASAO		DATE '04/03/04		MATERIAL NO. SEE TABLE		DOCUMENT NO. SD-52901-008		
SIZE A3		THIS DRAWING CONTAINS INFORMATION THAT IS PROPRIETARY TO MOLEX INCORPORATED AND SHOULD NOT BE USED WITHOUT WRITTEN PERMISSION										

20~140P

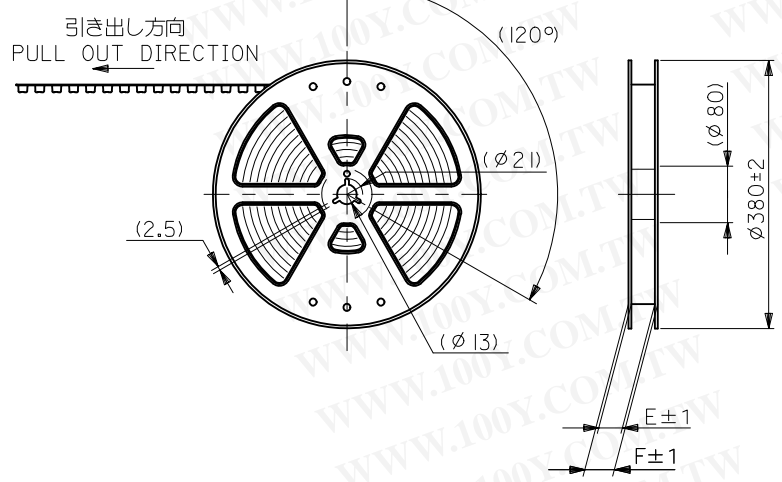


注)
NOTES

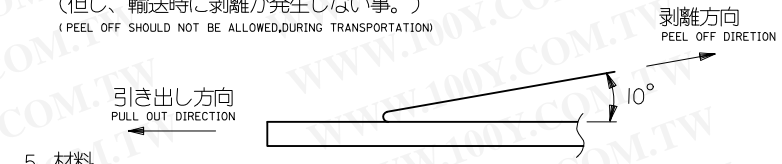
- 製品番号 52901-***72 の詳細寸法については、SD-52901-008 を参照下さい。
IN THE PACKAGE , PART NO.52901-***72 DETAILED DIMENSIONS , SEE SD-52901-008
- 梱包数量 : 440 個/リール
NUMBER OF CONNECTORS : 440 PCS/REEL
- リードテープ長さ
LEAD TAPE LENGTH



160P



- トップテープの剥離強度 (剥離方向は下図参照)
PEELING OFF FORCE OF TOP TAPE (PEELING DIRECTION AS SHOWN IN FOLLOWING FIG.)
0.1N~1.3N {10gf~130gf} : キャリアテープ幅24mm~72mm
CARRIER TAPE WIDTH 24mm~72mm
尚、本規格値は、出荷時に適用。
THIS REQUIREMENT SHOULD BE APPLIED AT SHIPMENT
(但し、輸送時に剥離が発生しない事。)
(PEEL OFF SHOULD NOT BE ALLOWED,DURING TRANSPORTATION)



- 材料
MATERIAL
キャリアテープ : ポリプロピレン (PP)
CARRIER TAPE : POLYPROPYLENE (PP)
トップテープ : PET, PE, PEF
TOP TAPE : PET , PE , PEF
リール : 紙 (20~140P)
ポリスチレン (160P)
REEL: CARD BOARD (20~140P)
POLYSTYRENE(160P)

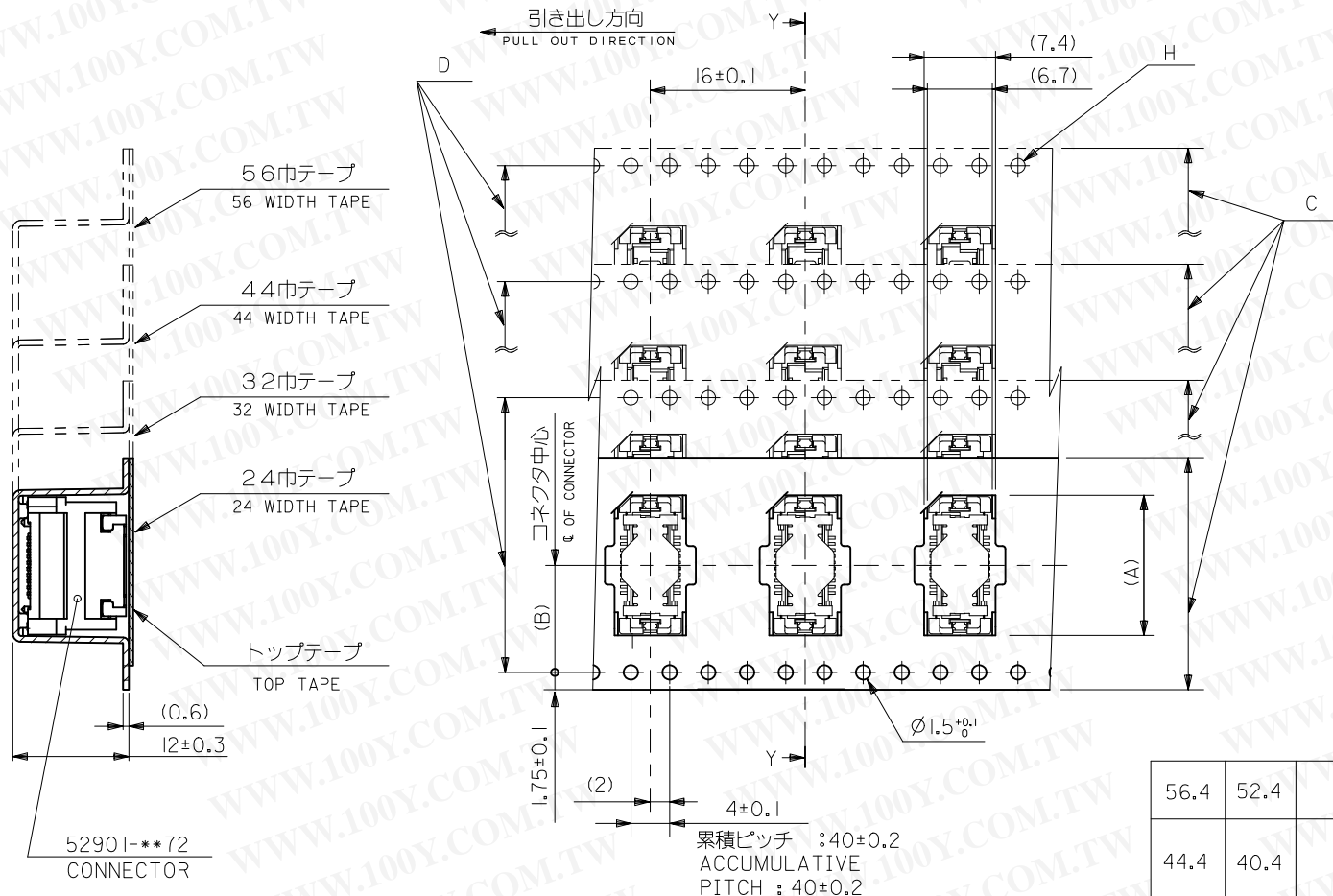
- 本製品は 52901-***4 の鉛フリー品である。
THIS PRODUCT IS LEAD FREE OF 52901-***4.

勝特力材料 886-3-5753170
 胜特力电子(上海) 86-21-34970699
 胜特力电子(深圳) 86-755-83298787
[Http://www.100y.com.tw](http://www.100y.com.tw)

REVISED EC NO: J2012-1233 DRWN:TKAIHO 2012/03/19 CHKD:TASAKAWA 2012/03/19 APPR:MSASAO 2012/03/19	DESCRIPTION	GENERAL TOLERANCES (UNLESS SPECIFIED)		DIMENSION STYLE MM ONLY		SCALE ---	DESIGN UNITS METRIC	THIRD ANGLE PROJECTION	
		10 UNDER	± ---	DRAWN BY M.NINOMIYA	DATE '04/03/04	TITLE EMBOSSED TAPE PACKAGE FOR 52901-***72 -LEAD FREE-			
		10 OVER 30 UNDER	± ---	CHECKED BY K.TOJO	DATE '04/03/04	MOLEX INCORPORATED			
		30 OVER	± ---	APPROVED BY M.SASAO	DATE '04/03/04	DOCUMENT NO. SD-52901-009			
REV	ANGULAR	± --- °	DRAFT WHERE APPLICABLE MUST REMAIN WITHIN DIMENSIONS		SIZE A3	THIS DRAWING CONTAINS INFORMATION THAT IS PROPRIETARY TO MOLEX INCORPORATED AND SHOULD NOT BE USED WITHOUT WRITTEN PERMISSION			

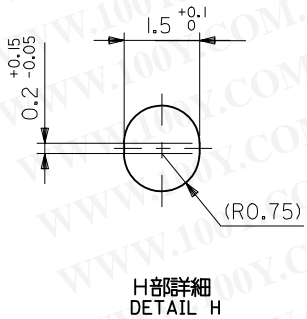
52901-***74
MODEL NO.

10 9 8 7 6 5 4 3 2 1



勝特力材料 886-3-5753170
 胜特力电子(上海) 86-21-34970699
 胜特力电子(深圳) 86-755-83298787
[Http://www.100y.com.tw](http://www.100y.com.tw)

断面 Y-Y
SECTION Y-Y



H部詳細
DETAIL H

REVISED
 EC NO: J2012-1233
 DRWN: KAIHO 2012/03/19
 CHKD: TASAKAWA 2012/03/19
 APPR: MSASAO 2012/03/19

GENERAL TOLERANCES
(UNLESS SPECIFIED)

10 UNDER	± ---
10 OVER 30 UNDER	± ---
30 OVER	± ---

ANGULAR ± --- °
 DRAFT WHERE APPLICABLE
 MUST REMAIN
 WITHIN DIMENSIONS

56.4	52.4	56 ^{+0.3}	26.2	39.9	52901-1074	100
				36.8	-0974	90
44.4	40.4	44 ^{+0.3}	20.2	33.6	-0874	80
				30.4	-0774	70
32.4	28.4	32 ^{+0.3}	14.2	27.2	-0674	60
				20.9	-0474	40
24.4	---	24 ^{+0.3}	11.5	17.7	-0374	30
				14.5	52901-0274	20
E	D	C	キャリアテープ幅 CARRIER TAPE WIDTH	B	A	MATERIAL NO.

DIMENSION STYLE: MM ONLY
 SCALE: ---
 DESIGN UNITS: METRIC
 THIRD ANGLE PROJECTION

DRAWN BY: M. NINOMIYA DATE: '04/03/04
 CHECKED BY: K. TOJO DATE: '04/03/04
 APPROVED BY: M. SASAO DATE: '04/03/04

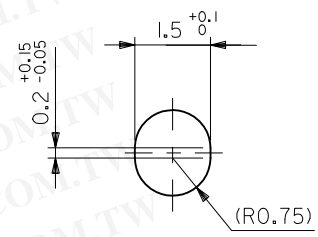
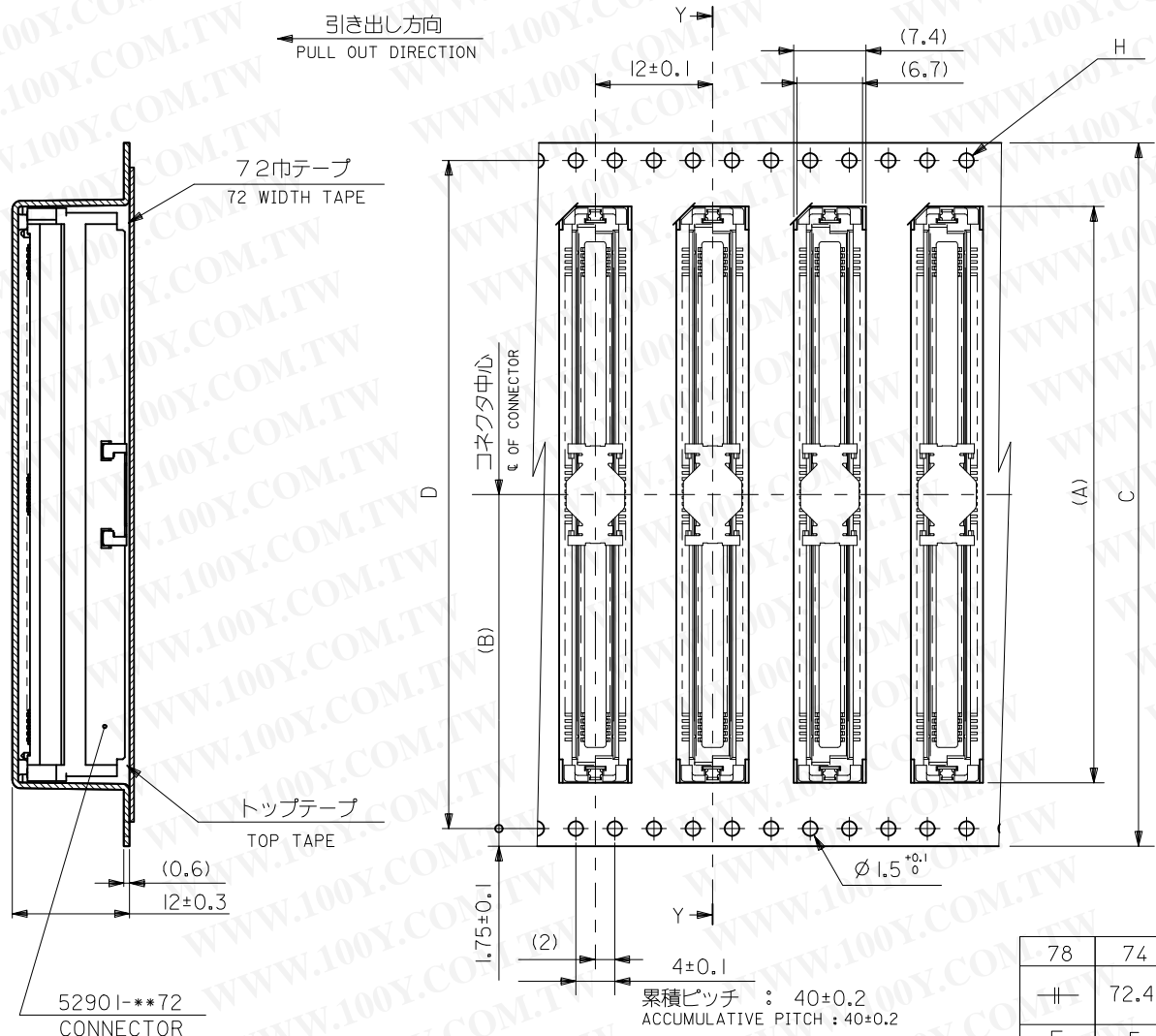
TITLE: EMBOSSED TAPE PACKAGE FOR 52901-**-72 -LEAD FREE-

MATERIAL NO.: SEE CHART
 DOCUMENT NO.: SD-52901-009
 SHEET NO.: 2 OF 3

SIZE: A3
 THIS DRAWING CONTAINS INFORMATION THAT IS PROPRIETARY TO MOLEX INCORPORATED AND SHOULD NOT BE USED WITHOUT WRITTEN PERMISSION

10 9 8 7 6 5 4 3 2 1

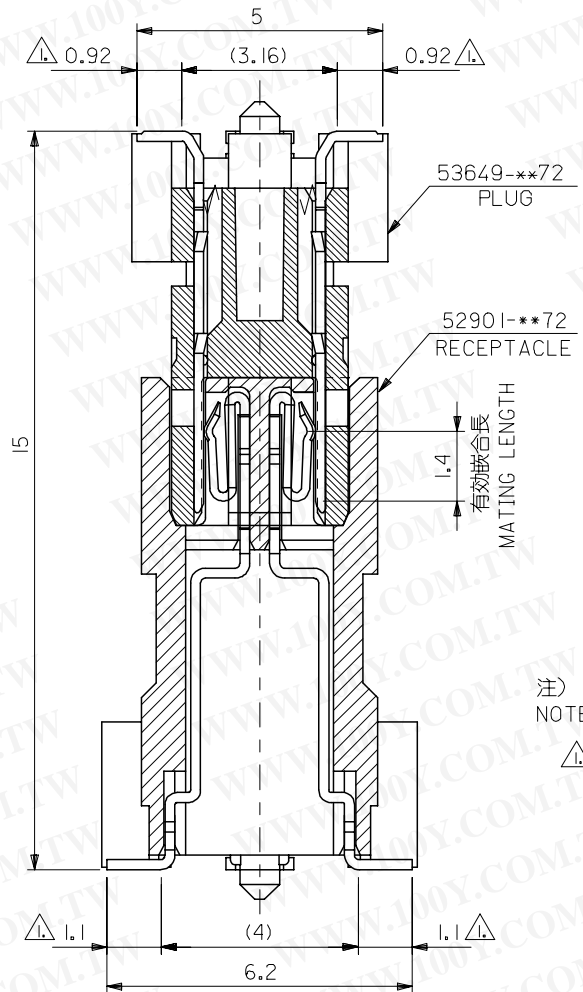
勝特力材料 886-3-5753170
胜特力电子(上海) 86-21-34970699
胜特力电子(深圳) 86-755-83298787
[Http://www.100y.com.tw](http://www.100y.com.tw)



断面 Y-Y
SECTION Y-Y

78	74	68.4	72±0.3	34.2	59.0	59201-1674	160
77	72.4				52.6	52901-1474	140
F	E				46.3	52901-1274	120
			キャリアテープ幅 CARRIER TAPE WIDTH		MATERIAL NO.		極致 CKT.NO.

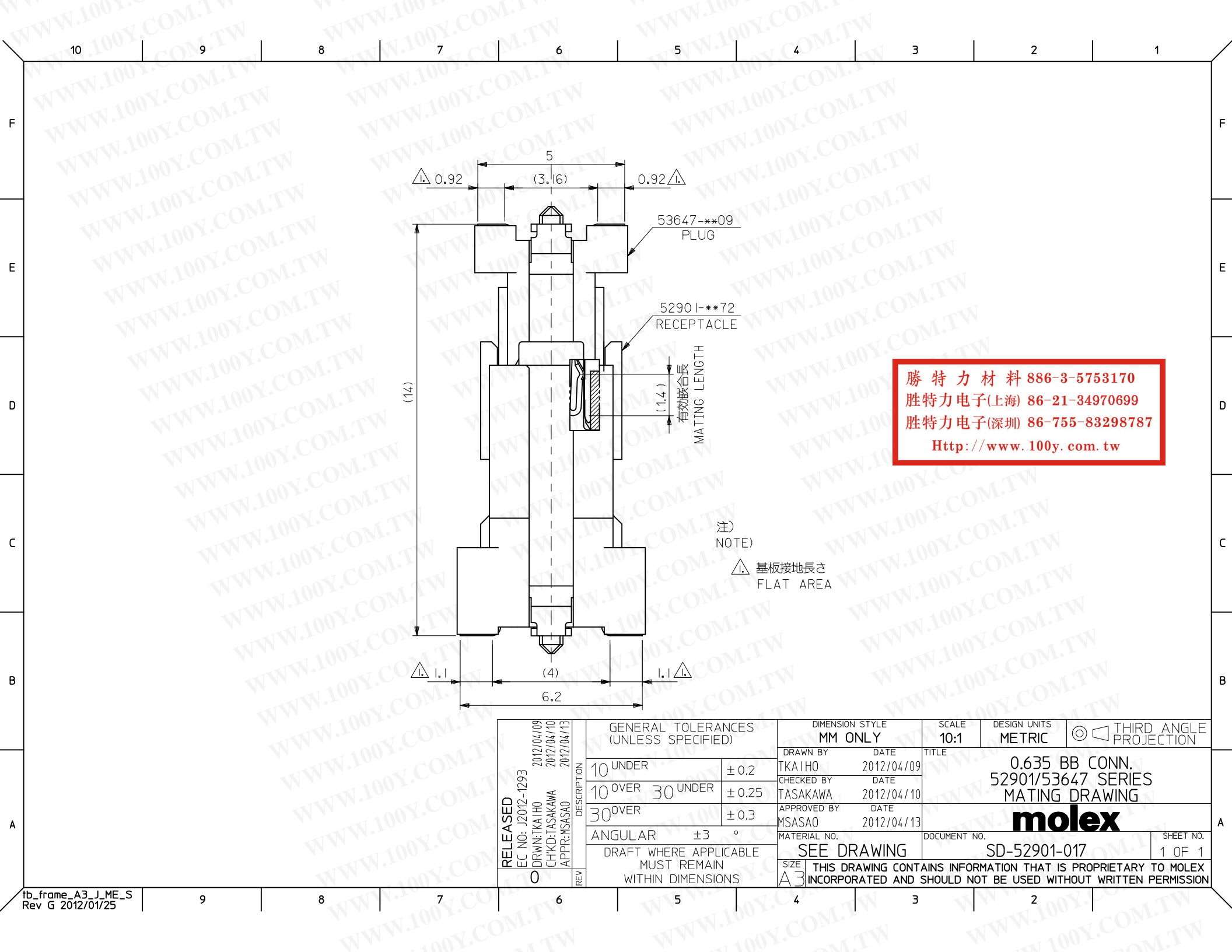
REVISED EC NO: J2012-1233 DRWN: KAIHO CHKD: TASAKAWA APPR: MSASAO	2012/03/19	GENERAL TOLERANCES (UNLESS SPECIFIED)		DIMENSION STYLE MM ONLY		SCALE ---	DESIGN UNITS METRIC	THIRD ANGLE PROJECTION
	2012/03/19	10 UNDER	± ---	DRAWN BY M. NINOMIYA	DATE '04/03/04	TITLE EMBOSSED TAPE PACKAGE FOR 52901-**72 -LEAD FREE-		
	2012/03/19	10 OVER 30 UNDER	± ---	CHECKED BY K. TOJO	DATE '04/03/04	MOLEX INCORPORATED		
		30 OVER	± ---	APPROVED BY M. SASAO	DATE '04/03/04	DOCUMENT NO. SD-52901-009		
		ANGULAR	± --- °	MATERIAL NO. SEE CHART		SHEET NO. 3 OF 3		
		DRAFT WHERE APPLICABLE MUST REMAIN WITHIN DIMENSIONS		THIS DRAWING CONTAINS INFORMATION THAT IS PROPRIETARY TO MOLEX INCORPORATED AND SHOULD NOT BE USED WITHOUT WRITTEN PERMISSION				



勝特力材料 886-3-5753170
 勝特力电子(上海) 86-21-34970699
 勝特力电子(深圳) 86-755-83298787
[Http://www.100y.com.tw](http://www.100y.com.tw)

注) NOTE)
 △ 基板接地長さ
 FLAT AREA

RELEASED EC NO: J2005-3798 DRW: KENSUZUKI 2005/06/20 CHK: D. NUKITA 2005/06/20 APPR: NUKITA 2005/06/23	GENERAL TOLERANCES (UNLESS SPECIFIED)		DIMENSION STYLE MM ONLY		SCALE 10:1	DESIGN UNITS METRIC	THIRD ANGLE PROJECTION	
	10 UNDER	±0.2	DRAWN BY KENSUZUKI	DATE 2005/06/20	TITLE 0.635 PITCH B TO B CONN. 52901/53649 SERIES MATING CROSS SECTION			
	10 OVER 30 UNDER	±0.25	CHECKED BY NUKITA	DATE 2005/06/20				
	30 OVER	±0.3	APPROVED BY NUKITA	DATE 2005/06/20	MOLEX INCORPORATED MATERIAL NO. SEE DRAWING DOCUMENT NO. SD-52901-015 SHEET NO. 1 OF 1			
	ANGULAR	±3 °	DRAFT WHERE APPLICABLE MUST REMAIN WITHIN DIMENSIONS					
0	SIZE A3		THIS DRAWING CONTAINS INFORMATION THAT IS PROPRIETARY TO MOLEX INCORPORATED AND SHOULD NOT BE USED WITHOUT WRITTEN PERMISSION					



勝特力材料 886-3-5753170
 胜特力电子(上海) 86-21-34970699
 胜特力电子(深圳) 86-755-83298787
[Http://www.100y.com.tw](http://www.100y.com.tw)

注) NOTE)
 △ 基板接地長さ
 FLAT AREA

RELEASED EC NO: J2012-1293 DRWN:TKAIHO 2012/04/09 CHKD:TASAKAWA 2012/04/10 APPR:MSASAO 2012/04/13	GENERAL TOLERANCES (UNLESS SPECIFIED)		DIMENSION STYLE MM ONLY	SCALE 10:1	DESIGN UNITS METRIC	THIRD ANGLE PROJECTION
	10 UNDER	±0.2	DRAWN BY TKAIHO	DATE 2012/04/09	TITLE 0.635 BB CONN. 52901/53647 SERIES MATING DRAWING	
	10 OVER 30 UNDER	±0.25	CHECKED BY TASAKAWA	DATE 2012/04/10	molex MATERIAL NO. SD-52901-017 DOCUMENT NO. SD-52901-017 SHEET NO. 1 OF 1	
	30 OVER	±0.3	APPROVED BY MSASAO	DATE 2012/04/13		
0	ANGULAR ±3 °	SEE DRAWING		THIS DRAWING CONTAINS INFORMATION THAT IS PROPRIETARY TO MOLEX INCORPORATED AND SHOULD NOT BE USED WITHOUT WRITTEN PERMISSION		
	DRAFT WHERE APPLICABLE MUST REMAIN WITHIN DIMENSIONS					