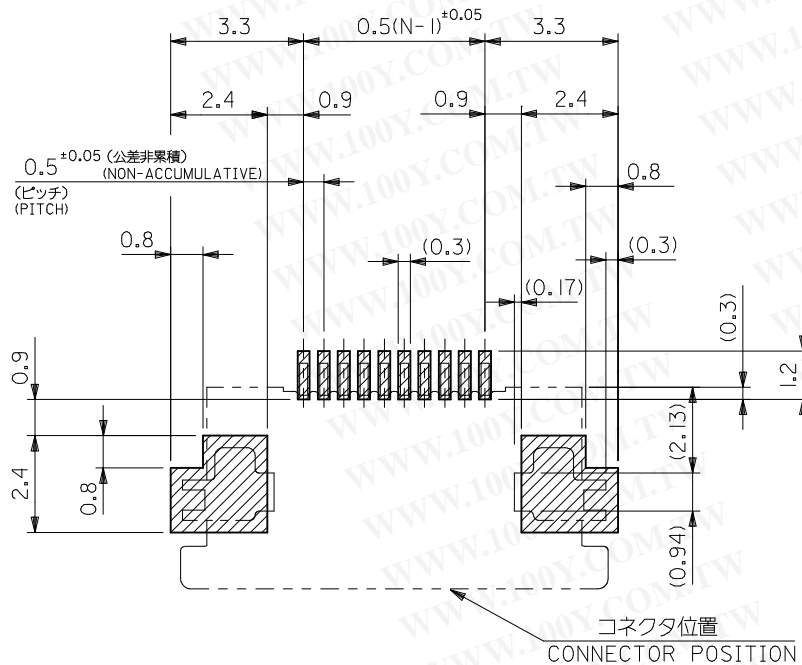


30.5	29.3	25.65	24.5	54132-5097	54132-5039	50
28.0	26.8	23.15	22.0	4-4597	4-4539	45
27.0	25.8	22.15	21.0	4-4397	4-4339	43
25.5	24.3	20.65	19.5	4-4097	4-4039	40
24.5	23.3	19.65	18.5	4-3897	4-3839	38
23.5	22.3	18.65	17.5	4-3697	4-3639	36
23.0	21.8	18.15	17.0	4-3597	4-3539	35
22.5	21.3	17.65	16.5	4-3497	4-3439	34
22.0	20.8	17.15	16.0	4-3397	4-3339	33
21.5	20.3	16.65	15.5	4-3297	4-3239	32
20.5	19.3	15.65	14.5	54132-3097	54132-3039	30
D	C	B	A	EMBOSSED TAPE ORDER No. オート番号	MATERIAL. NO.	CKT.

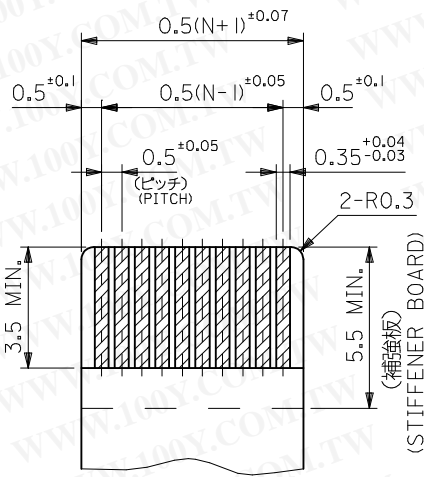
勝特力材料 886-3-5753170
 勝特力电子(上海) 86-21-34970699
 勝特力电子(深圳) 86-755-83298787
[Http://www.100y.com.tw](http://www.100y.com.tw)

REVISED EC NO: J2008-4308 DRWN: MABEI 2008/06/27 CHKD: THARUYAMA 2008/06/30 APPR: NUKITA 2008/06/30	DESCRIPTION 10 UNDER ±0.2 10 OVER 30 UNDER ±0.25 30 OVER ±0.3 ANGULAR ±3 ° DRAFT WHERE APPLICABLE MUST REMAIN WITHIN DIMENSIONS	GENERAL TOLERANCES (UNLESS SPECIFIED)	DIMENSION STYLE MM ONLY	SCALE ---	DESIGN UNITS METRIC	MODEL NO. 54132-***39	THIRD ANGLE PROJECTION		
		DRAWN BY: M. NABEI DATE: '03/12/15 CHECKED BY: M. SASAO DATE: '03/12/15 APPROVED BY: M. SASAO DATE: '03/12/15		TITLE 0.5 FPC CONN ZIF HOUSING ASSY FOR SMT -LEAD FREE-		MOLEX INCORPORATED SD-54132-060			SHEET NO. 1 OF 2
		MATERIAL NO. SEE TABLE		DOCUMENT NO. SD-54132-060					
		THIS DRAWING CONTAINS INFORMATION THAT IS PROPRIETARY TO MOLEX INCORPORATED AND SHOULD NOT BE USED WITHOUT WRITTEN PERMISSION							



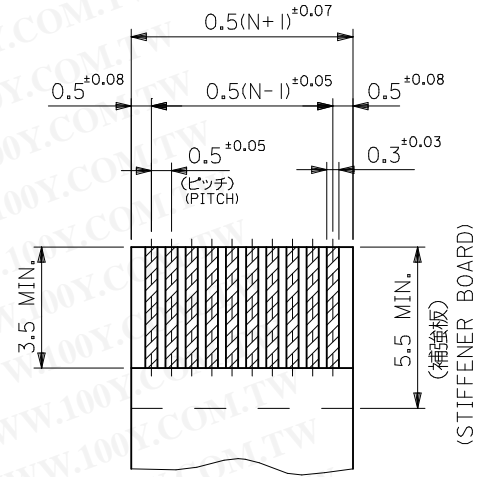
参考基板レイアウト
RECOMMENDED PC BOARD PATTERN DIMENSION(REF.)

(マウント面)
(MOUNTING SIDE)



適合FPC推奨寸法
APPLICABLE FPC RECOMMENDED DIMENSION

(仕上がり厚さ: 0.3^{+0.03})
(THICKNESS: 0.3^{+0.03})



適合FFC推奨寸法
APPLICABLE FFC RECOMMENDED DIMENSION

(仕上がり厚さ: 0.3^{+0.03})
(THICKNESS: 0.3^{+0.03})

注記
NOTES

1. 使用材料
MATERIAL : 46ナイロン, UL94V-0
HOUSING : 46NYLON
アクチュエーター
ACTUATOR : PPS, UL94V-0
ターミナル
TERMINAL : リン青銅 (t=0.2), 鍍・ピスマスメッキ 1.0~3.0 MICRO METER MIN.
ニッケル下地 1.0~3.0 MICRO METER MIN.
PHOS-BRO, TIN-BISMUTH-PLATE 1.0~3.0 MICRO METER MIN.
OVER NICKEL 1.0~3.0 MICRO METER MIN.
金具
FITTING NAIL : リン青銅 (t=0.2), 鍍メッキ 1.0~3.0 MICRO METER MIN.
ニッケル下地 1.0~3.0 MICRO METER MIN.
PHOS-BRO, TIN-PLATE 1.0~3.0 MICRO METER MIN.
OVER NICKEL 1.0~3.0 MICRO METER MIN.

2. インボステープ梱包時は、アクチュエーターがロックした状態とする。
IN THE PACKAGE, ACTUATOR OF PART NO.54132-**31 SHOULD BE LOCKED.
3. ソルダータール半田付け面のスレ量、及び金具半田付け面のスレ量は、基準面 田 に対し上方向0.1MAX、下方向0.15MAXとする。
MISALIGNMENT OF SOLDER TAILS AND FITTING NAIL FROM 田 UPPER DIRECTION:0.1MAX, LOWER DIRECTION:0.15MAX.
4. 偶数極に適用
APPLY FOR EVEN CIRCUIT.
5. パターンはくり止め用金具
FITTING NAIL FOR PREVENTION OF PEELING OF P.C.B. PATTERN.
6. 本製品は54132-**31の鉛フリー品である。
THIS PRODUCT IS LEAD FREE OF 54132-**31

FPC/FFCについて

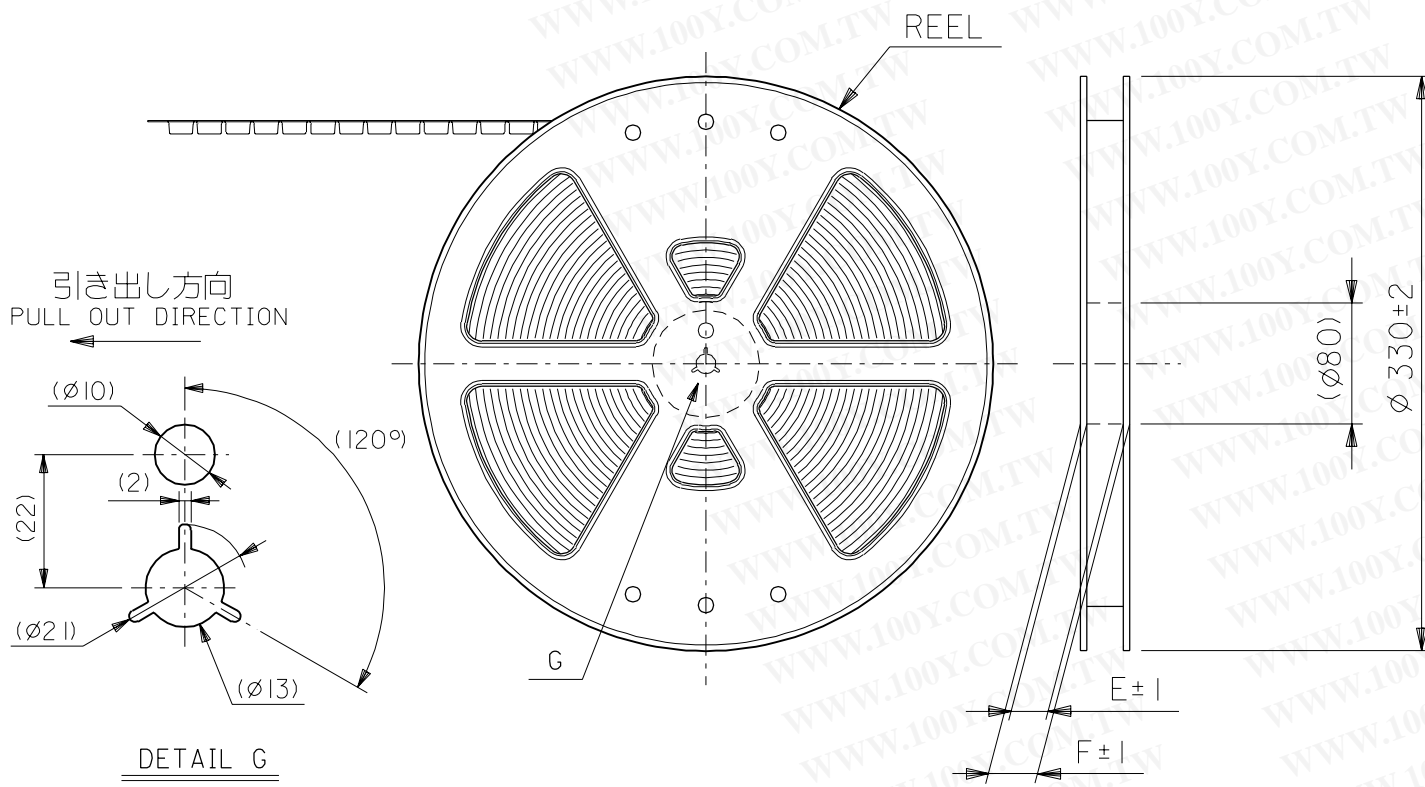
打抜き方向は導体側から補強板側を推奨いたします。
導体部については軟銅箔35マイクロメートルまたは50マイクロメートル
RECOMMENDED PUNCHER DIRECTION:
FROM CONDUCTOR SIDE TO STIFFENER BOARD SIDE.
RECOMMENDED CONDUCTOR SPEC.:
THICKNESS OF SOFT COPPER FOIL:
35 micrometer or 50 micrometer

勝特力材料 886-3-5753170
勝特力電子(上海) 86-21-34970699
勝特力電子(深圳) 86-755-83298787
Http://www.100y.com.tw

REVISED EC NO: J2008-4308 DRWN: MABEI 2008/06/27 CHKD: THARUYAMA 2008/06/30 APPR: NUKITA 2008/06/30	GENERAL TOLERANCES (UNLESS SPECIFIED)		DIMENSION STYLE MM ONLY	SCALE ---	DESIGN UNITS METRIC	54132-**39	MODEL NO.
	10 UNDER	±0.2	DRAWN BY M. NABEI	DATE '03/12/15	TITLE	0.5 FPC CONN ZIF HOUSING ASSY FOR SMT -LEAD FREE-	
	10 OVER 30 UNDER	±0.25	CHECKED BY M. SASAO	DATE '03/12/15		MOLEX INCORPORATED	
	30 OVER	±0.3	APPROVED BY M. SASAO	DATE '03/12/15		DOCUMENT NO. SD-54132-060	SHEET NO. 2 OF 2
REV B	ANGULAR ±3 °	DRAFT WHERE APPLICABLE MUST REMAIN WITHIN DIMENSIONS	MATERIAL NO. SEE SHEET 1	THIS DRAWING CONTAINS INFORMATION THAT IS PROPRIETARY TO MOLEX INCORPORATED AND SHOULD NOT BE USED WITHOUT WRITTEN PERMISSION			

DWG. NO. SD-54132-061

8 7 6 5 4 3 2 1



NOTES

- 梱包数量：1500個/リール
NUMBER OF CONNECTORS : 1500PCS/REEL
- リードテープ長さ LEAD TAPE LENGTH
20PCS. MIN. トップテープ接着部 (空エンボス)
TOP TAPE BONDED PART. (EMPTY)
部品挿入部
COMPONENT SUPPLIER
末端部 (空部)
TAIL PART (EMPTY)
40 MIN.
- トップテープの剥離強度： 0.1N ~ 1.3N (10gf ~ 130gf)
(剥離方向は下図参照)
尚、本規格値は出荷時に適用。(但し、輸送時に剥離が発生しないこと。)
PEELING OFF FORCE OF TOP TAPE : 0.1N ~ 1.3N (10gf ~ 130gf)
(PEELING DIRECTION AS SHOWN IN FOLLOWING FIG.)
THIS REQUIREMENT SHOULD BE APPLIED AT SHIPMENT.
PEEL OFF SHOULD NOT BE ALLOWED , DURING TRANSPORTATION.



- 材料
キャリアテープ：ポリプロピレン (PP)
トップテープ：PET, PE, PEF
リール：ポリスチレン (PS) <リサイクル材を含む>

MATERIAL CARRIER TAPE: POLYPROPYLENE
TOP TAPE: PET, PE, PEF
REEL: POLYSTYREN (PS)
<RECYCLE MATERIAL CONTAINED>

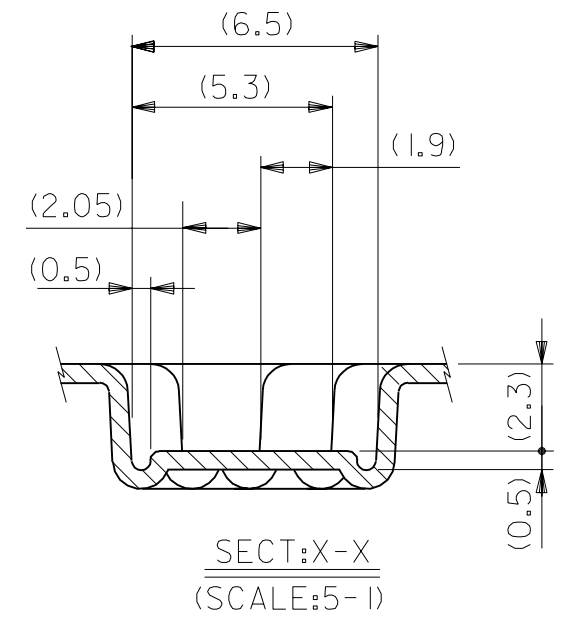
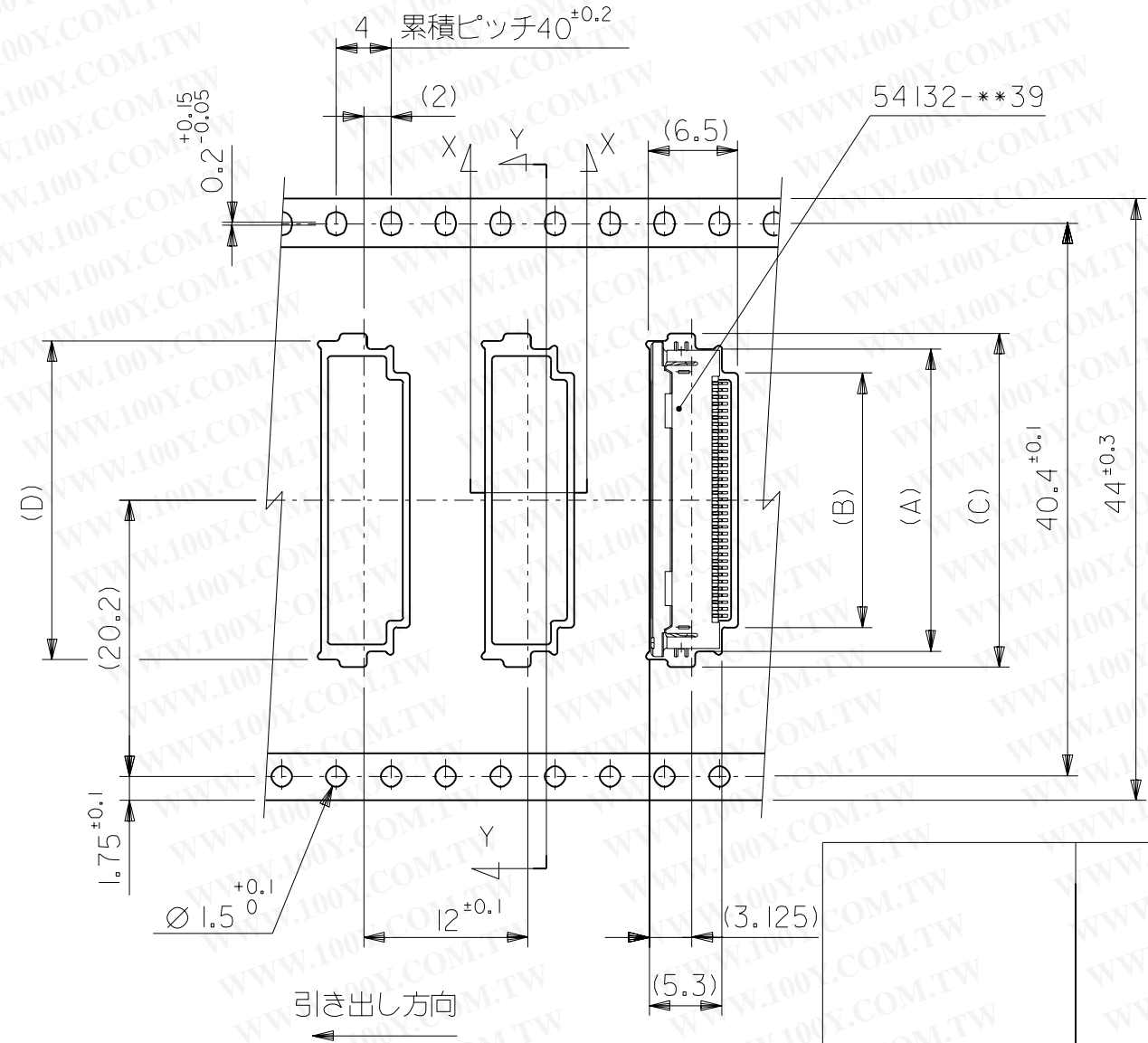
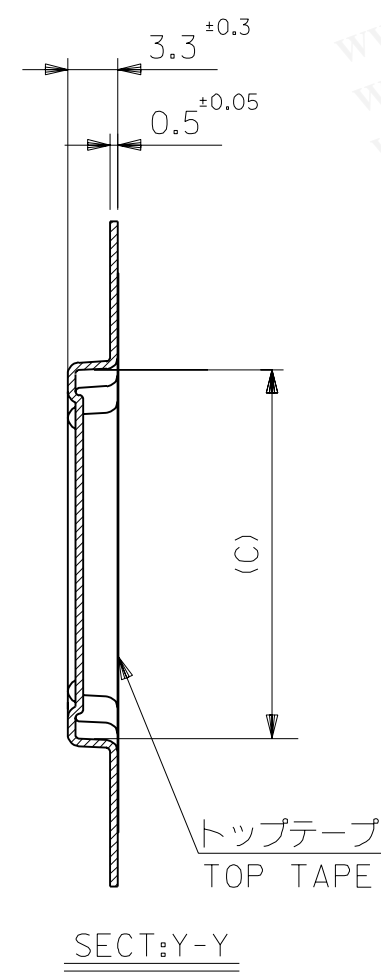
- 本製品は54132-* * 92の鉛フリー品である。
THIS PRODUCT IS LEAD FREE OF 54132-***92

勝特力材料 886-3-5753170
胜特力电子(上海) 86-21-34970699
胜特力电子(深圳) 86-755-83298787
[Http://www.100y.com.tw](http://www.100y.com.tw)

DO NOT SCALE DRAWING

EC NO. DRWN: CHK: APPR:	EC NO. DRWN: CHK: APPR:	EC NO. DRWN: CHK: APPR:	REVISED EC NO. J2004-2790 DRWN: H. SHIMABUKURO '04/3/2 CHK: K. TOJO '04/3/2 APPR: M. SASAO '04/3/2 RELEASED EC NO. J2004-1538 DRWN: M. NABEI '03/12/15 CHK: M. SASAO '03/12/15 APPR: M. SASAO '03/12/15	MATERIAL 材料 注記参照 SEE NOTES	GENERAL TOLERANCES: (UNLESS SPECIFIED) 一般公差	SCALE //	DESIGN UNITS <input checked="" type="checkbox"/> mm <input type="checkbox"/> INCH	THIRD ANGLE PROJECTION <input checked="" type="checkbox"/> <input type="checkbox"/>	54132-***97 MODEL NO.	DIMENSIONS: <input type="checkbox"/> mm <input type="checkbox"/> INCH <input type="checkbox"/> mm <input checked="" type="checkbox"/> ONLY	SHT REV	REVISE ON CAD ONLY
				FINISH 仕上げ //	10 UNDER 未満 ±0.2	DRAWN BY & DATE M. NABEI '03/12/15	TITLE: EMBOSSED TAPE PACKAGE FOR 0.5 FPC CONN. ZIF -LEAD FREE-					
				WIRE RANGE 適用電線範囲 //	10 OVER 以上 30 UNDER 未満 ±0.25	CHECKED BY & DATE M. SASAO '03/12/15	MOLEX INCORPORATED					
				INS. RANGE 被覆外径 //	30 OVER 以上 ±0.3	APPROVED BY & DATE M. SASAO '03/12/15	MATERIAL NO. SEE CHART		DRAWING NO. SD-54132-061		SHEET NO. 1 OF 2	
THIS DRAWING CONTAINS INFORMATION THAT IS PROPRIETARY TO MOLEX INCORPORATED AND SHOULD NOT BE USED WITHOUT WRITTEN PERMISSION.										SIZE B		

DWG. NO.
SD-54132-061



勝特力材料 886-3-5753170
 胜特力电子(上海) 86-21-34970699
 胜特力电子(深圳) 86-755-83298787
[Http://www.100y.com.tw](http://www.100y.com.tw)

44	49.4	45.4	30.8	31.6	26.1	29.6	54132-5097	50		
			28.3	29.4	23.6	27.1	-4597	45		
			27.3	28.4	22.6	26.1	-4397	43		
			25.8	26.9	21.1	24.6	-4097	40		
			24.8	25.9	20.1	23.6	-3897	38		
			23.8	24.9	19.1	22.6	-3697	36		
			23.3	24.4	18.6	22.1	-3597	35		
			22.8	23.9	18.1	21.6	-3497	34		
			22.3	23.4	17.6	21.1	-3397	33		
			21.8	22.9	17.1	20.6	-3297	32		
20.8	21.9	16.1	19.6	54132-3097	30					
キャリアテープ幅 CARRIER TAPE WIDTH			F	E	D	C	B	A	ENG. NO.	CKT.

DO NOT SCALE DRAWING

EC NO. DRWN: CHK: APPR:	EC NO. DRWN: CHK: APPR:	EC NO. DRWN: CHK: APPR:	REVISED EC NO. J2004-2790 DRWN: H. SHIMABUKURO '04/32 CHK: M. SASAO '04/32 APPR: M. SASAO '04/32	RELEASED EC NO. J2004-1538 DRWN: M. NABEI '03/12/15 CHK: M. SASAO '03/12/15 APPR: M. SASAO '03/12/15	MATERIAL 材料	FINISH 仕上げ	WIRE RANGE 適用電線範囲	INS. RANGE 被覆外径
			A	O	SHEET 1 OF 2 参照 REFER TO SHEET 1 OF 2	//	//	//

GENERAL TOLERANCES: (UNLESS SPECIFIED) 一般公差	SCALE —//—	DESIGN UNITS <input checked="" type="checkbox"/> mm <input type="checkbox"/> INCH	THIRD ANGLE PROJECTION <input checked="" type="checkbox"/> THIRD ANGLE	DIMENSIONS: <input type="checkbox"/> mm <input type="checkbox"/> INCH <input checked="" type="checkbox"/> mm ONLY	SHT REV
10 UNDER 未満 ±0.2					
10 OVER 以上 30 UNDER 未満 ±0.25					
30 OVER 以上 ±0.3					
ANGLE 角度 ±3°					

54132-***97		MODEL. NO.		DIMENSIONS:		SHT	REV
DRAWN BY & DATE M. NABEI '03/12/15		TITLE: EMBOSSSED TAPE PACKAGE FOR 0.5 FPC CONN. ZIF -LEAD FREE-		<input type="checkbox"/> mm <input type="checkbox"/> INCH <input checked="" type="checkbox"/> mm ONLY		REVISE ON CAD ONLY	
CHECKED BY & DATE M. SASAO '03/12/15		MATERIAL NO. SEE CHART		DRAWING NO. SD-54132-061		SHEET NO. 2 OF 2	
APPROVED BY & DATE M. SASAO '03/12/15		MATERIAL NO. SEE CHART		DRAWING NO. SD-54132-061		SHEET NO. 2 OF 2	
CAD FILENAME SD-54132-061.S02		MATERIAL NO. SEE CHART		DRAWING NO. SD-54132-061		SHEET NO. 2 OF 2	
THIS DRAWING CONTAINS INFORMATION THAT IS PROPRIETARY TO MOLEX INCORPORATED AND SHOULD NOT BE USED WITHOUT WRITTEN PERMISSION.							
SIZE B							

SD-54132-061.S02