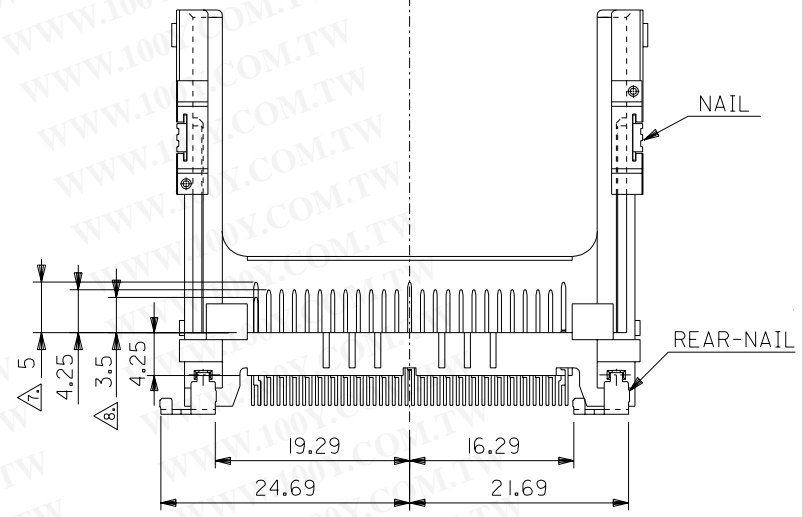
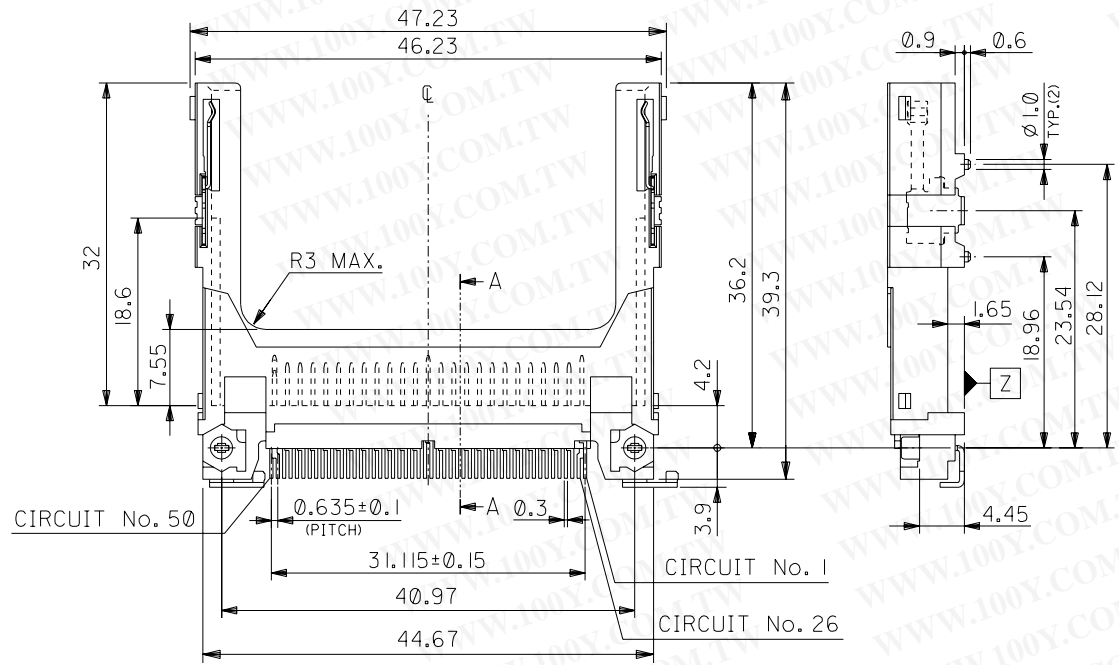
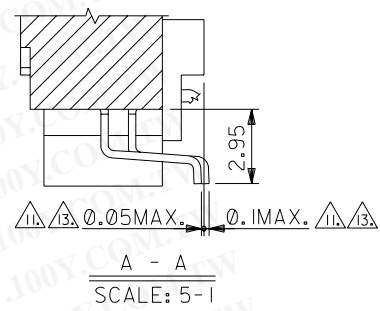
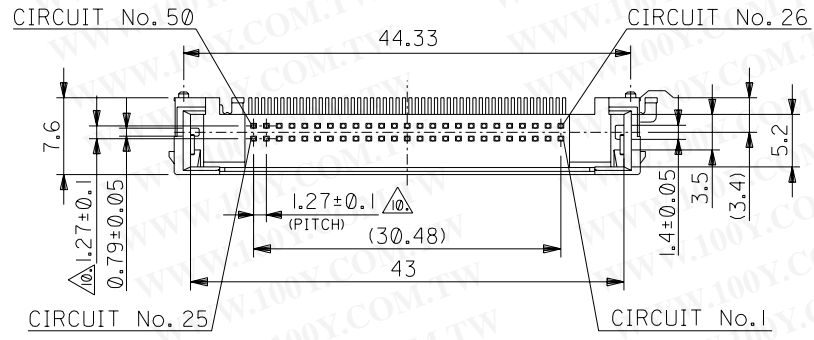


勝特力材料 886-3-5753170  
 勝特力电子(上海) 86-21-34970699  
 勝特力电子(深圳) 86-755-83298787  
 Http://www.100y.com.tw



DO NOT SCALE DRAWING

EC NO. DRWN: CHK: APPR:	EC NO. DRWN: CHK: APPR:	EC NO. DRWN: CHK: APPR:	EC NO. DRWN: CHK: APPR:	EC NO. DRWN: CHK: APPR:
RELEASED	RELEASED	RELEASED	RELEASED	RELEASED
EC NO. J2004-3952	EC NO. J2004-3952	EC NO. J2004-3952	EC NO. J2004-3952	EC NO. J2004-3952
DRWN: M.NABEI '04/04/22	DRWN: M.NABEI '04/04/22	DRWN: M.NABEI '04/04/22	DRWN: M.NABEI '04/04/22	DRWN: M.NABEI '04/04/22
CHK: K.TOJO '04/04/22	CHK: K.TOJO '04/04/22	CHK: K.TOJO '04/04/22	CHK: K.TOJO '04/04/22	CHK: K.TOJO '04/04/22
APPR: M.SASAO '04/04/22	APPR: M.SASAO '04/04/22	APPR: M.SASAO '04/04/22	APPR: M.SASAO '04/04/22	APPR: M.SASAO '04/04/22

MATERIAL 材料	SEE NOTES
FINISH 仕上り	SEE NOTES
WIRE RANGE 適用電線規格	#
INS. RANGE 被覆外径	#

GENERAL TOLERANCES: (UNLESS SPECIFIED) 一般公差	10 UNDER 未満	±0.2
	10 OVER 30 UNDER 以上 未満	±0.25
	30 OVER 以上	±0.3
ANGLE 角度		±3°

55358-5028		55358-5029		55358-50**	
HARD TRAY PACKAGE		MATERIAL No.		MODEL No.	
SCALE 2 - 1	DESIGN UNITS <input checked="" type="checkbox"/> mm <input type="checkbox"/> INCH	DIMENSIONS: <input type="checkbox"/> mm <input type="checkbox"/> INCH <input checked="" type="checkbox"/> mm ONLY		SHT	REV
DRAWN BY & DATE M.NABEI '04/04/22		TITLE: CF CARD CONN. 50P HEADER ASS'Y (TYPE I/II, NORMAL) -LEAD FREE-			
CHECKED BY & DATE K.TOJO '04/04/22		MOLEX INCORPORATED			
APPROVED BY & DATE M. Sasao '04/04/22		MATERIAL NO.	DRAWING NO.	SHEET NO.	
CAD FILENAME SD-55358-014.S01		SEE CHART	SD-55358-014	1 OF 2	
THIS DRAWING CONTAINS INFORMATION THAT IS PROPRIETARY TO MOLEX INCORPORATED AND SHOULD NOT BE USED WITHOUT WRITTEN PERMISSION.					SIZE B

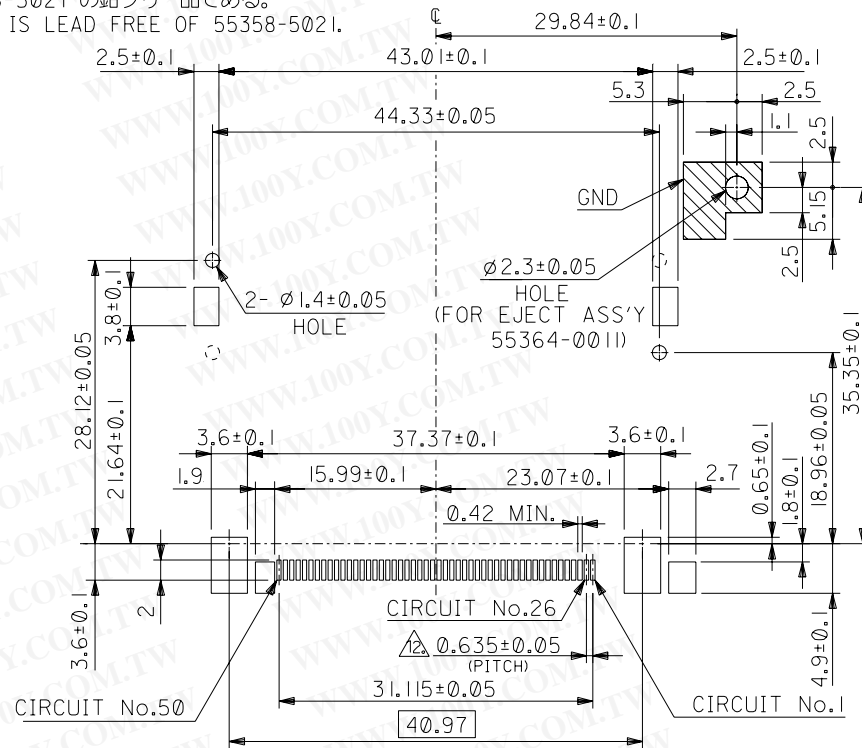
勝特力材料 886-3-5753170  
 勝特力电子(上海) 86-21-34970699  
 勝特力电子(深圳) 86-755-83298787  
 Http://www.100y.com.tw

注) 1. 材質 MATERIAL  
 ハウジング: ガラス入りLCP UL94V-0  
 HOUSING: LIQUID CRYSTAL POLYMER G.F. UL94V-0  
 ピン: リン青銅  
 PIN: PHOSPHOR BRONZE  
 ネール: リン青銅 (t0.3)  
 NAIL: PHOSPHOR BRONZE (t0.3)  
 リヤネール: リン青銅 (t0.48)  
 REAR-NAIL: PHOSPHOR BRONZE (t0.48)

2. メッキ仕様 PLATING  
 ピン PIN  
 接点部: パラジウムニッケル下地、金メッキ  
 CONTACT AREA: GOLD OVER PALLADIUM-NICKEL  
 半田付け部: 錫メッキ  
 SOLDER TAIL AREA: TIN  
 下地メッキ: ニッケルメッキ  
 UNDERPLATING: NICKEL OVER ALL  
 ネール NAIL  
 接点部: 金メッキ  
 CONTACT AREA: GOLD  
 半田付け部: 錫メッキ  
 SOLDER TAIL AREA: TIN  
 下地メッキ: ニッケルメッキ  
 UNDERPLATING: NICKEL OVER ALL  
 リヤネール REAR-NAIL  
 錫メッキ  
 TIN  
 下地メッキ: ニッケルメッキ  
 UNDERPLATING: NICKEL OVER ALL

3. 推奨基板厚: t=0.8 MIN.  
 RECOMMENDED P.C.B. THICKNESS: t=0.8 MIN.  
 4. 適合カード厚: 3.3±0.1 (TYPE I) AND 5 MAX. (TYPE II)  
 RECOMMENDED CARD THICKNESS: 3.3±0.1 (TYPE I) AND 5 MAX. (TYPE II)  
 5. 適合カード幅: 42.8±0.1  
 RECOMMENDED CARD WIDTH: 42.8±0.1  
 6. ハウジング色: 黒  
 HOUSING COLOR: BLACK  
 寸法適用極: 1,13,38,50  
 THIS DIMENSION APPLIES TO CIRCUIT NUMBERS 1,13,38 AND 50.  
 寸法適用極: 25,26  
 THIS DIMENSION APPLIES TO CIRCUIT NUMBERS 25 AND 26.  
 ピンの倒れは、ピン根元を基準に全方向へ0.1 MAX.とする。  
 PIN TIP LEAN TOWARD ANY DIRECTION NOT TO EXCEED 0.1 WHEN MEASURED FROM PIN BASE.  
 ピン根元に適用する。  
 THIS DIMENSION TO BE MEASURED AT PIN BASE.

11. ソルダテールは、Z面を基準とし上へ0.05下へ0.1の範囲にあり、且つソルダテールの平坦度は、0.1 MAX.とし、テール先端にて測定する。  
 SOLDER TAILS TO BE WITHIN 0.05 UPWARD AND 0.1 DOWNWARD FROM Z-DATUM PLACE, AND COPLANARITY OF SOLDER TAILS TO BE WITHIN 0.1. MEASUREMENT POINT IS SOLDER TAILS TIP.  
 12. 公差非累積 NON-CUMULATIVE  
 13. テールとネール、リヤネールを併せた平坦度は、0.1 MAX.とする。  
 TOTAL COPLANARITY OF SOLDER TAILS, NAILS AND REAR-NAILS TO BE 0.1 MAX.  
 14. 本製品は 55358-5021 の鉛フリー品である。  
 THIS PRODUCT IS LEAD FREE OF 55358-5021.



基板推奨寸法

RECOMMENDED P.C.B. LAYOUT

EC NO. DRWN: CHK: APPR:	EC NO. DRWN: CHK: APPR:	EC NO. DRWN: CHK: APPR:	EC NO. DRWN: CHK: APPR:	EC NO. DRWN: CHK: APPR:	EC NO. DRWN: CHK: APPR:
REV	0				

MATERIAL 材料	SEE NOTES
FINISH 仕上げ	SEE NOTES
WIRE RANGE 適用電線範囲	—
INS. RANGE 被覆外径	—

GENERAL TOLERANCES: (UNLESS SPECIFIED) 一般公差	10 UNDER 未満 ±0.2	30 UNDER 未満 ±0.25	30 OVER 以上 ±0.3
ANGLE 角度	±3°		

55358-50**	MODEL NO.	DIMENSIONS: <input type="checkbox"/> mm <input type="checkbox"/> INCH <input checked="" type="checkbox"/> mm ONLY		SHT	REV
SCALE 2-1	DESIGN UNITS <input checked="" type="checkbox"/> mm <input type="checkbox"/> INCH	THIRD ANGLE PROJECTION		REVISE ON CAD ONLY	
DRAWN BY & DATE M.NABEI '04/04/22	TITLE: CF CARD CONN. 50P HEADER ASS'Y (TYPE I/II, NORMAL) -LEAD FREE-				
CHECKED BY & DATE K.TOJO '04/04/22	MOLEX INCORPORATED				
APPROVED BY & DATE M. Sano '04/04/22	CAD FILENAME SD-55358-014.S02	MATERIAL NO. —	DRAWING NO. SD-55358-014	SHEET NO. 2	
THIS DRAWING CONTAINS INFORMATION THAT IS PROPRIETARY TO MOLEX INCORPORATED AND SHOULD NOT BE USED WITHOUT WRITTEN PERMISSION.					SIZE B

DO NOT SCALE DRAWING