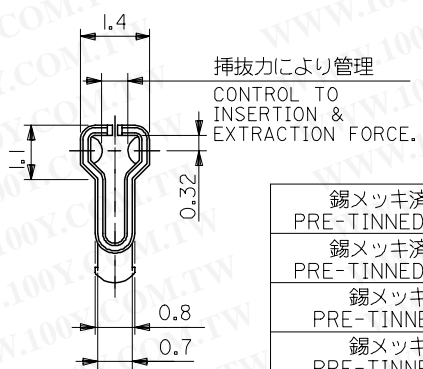
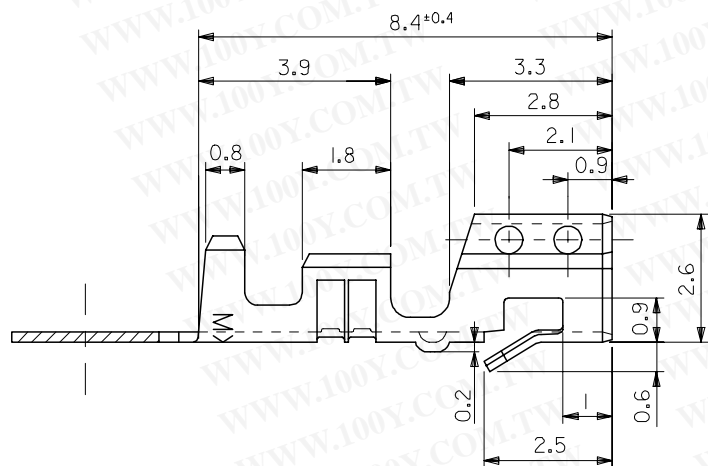
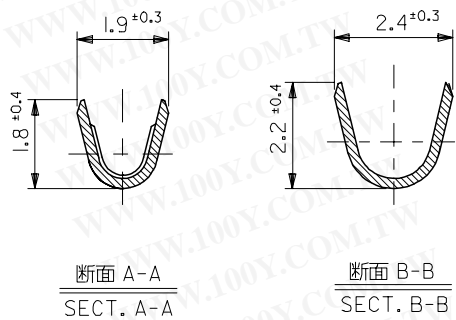
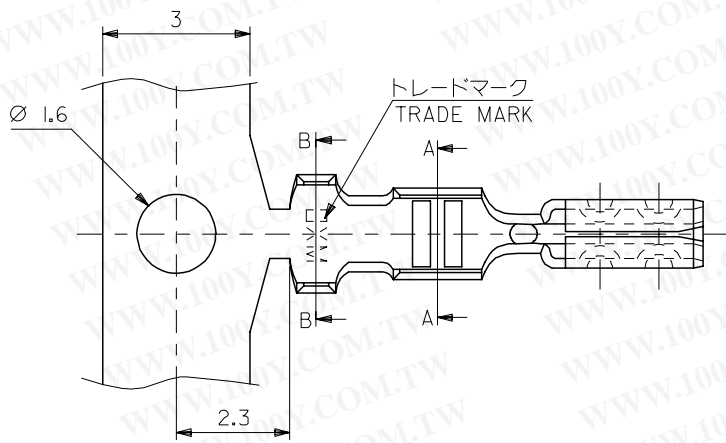


10 9 8 7 6 5 4 3 2 1



注記 NOTES:
 I. 適合ハウジング:
 APPLICABLE HOUSING:
 5102-N,5207-N,5208-N,5209-N

錫メッキ済リン青銅 PRE-TINNED PHOS-BRO.	08-70-0059	5103PBTL	バラ状 LOOSE
錫メッキ済リン青銅 PRE-TINNED PHOS-BRO.	08-70-0058	5103PBT	連鎖状 CHAIN
錫メッキ済黄銅 PRE-TINNED BRASS	08-70-0057	5103TL	バラ状 LOOSE
錫メッキ済黄銅 PRE-TINNED BRASS	08-70-0056	5103T	連鎖状 CHAIN
材料 MATERIAL	EDP NO.	ENG. NO.	端子形状 FORM

勝特力材料 886-3-5753170
 胜特力电子(上海) 86-21-34970699
 胜特力电子(深圳) 86-755-83298787
[Http://www.100y.com.tw](http://www.100y.com.tw)

材料 MATERIAL	表参照 (t=0.203) SEE TABLE
適用電線範囲 WIRE RANGE	AWG#22~28 0.33~0.08mm ²
被覆外径 INS. RANGE	∅1.5 ~ ∅1.9

REVISED	DESCRIPTION
EC NO: J2006-3417	2006/07/31
DRW:KSAI T001	2006/08/04
CHK:D:TANAKA	2006/08/07
APP:R:NUKITA	2006/08/07
N	

GENERAL TOLERANCES (UNLESS SPECIFIED)	
10 UNDER	±0.2
10 OVER 30 UNDER	±0.25
30 OVER	±0.3
ANGULAR	±3°
DRAFT WHERE APPLICABLE MUST REMAIN WITHIN DIMENSIONS	

DIMENSION STYLE MM ONLY	
DRAWN BY K.TOJO	DATE 1990/12/25
CHECKED BY H.HIRAMOTO	DATE 1996/03/04
APPROVED BY M.FUKUSHIMA	DATE 1996/03/04
MATERIAL NO. SEE CHART	
SIZE A3	

SCALE 10:1	DESIGN UNITS METRIC	THIRD ANGLE PROJECTION
TITLE MINI SPOX CRIMP REC		
MOLEX INCORPORATED		
MATERIAL NO. SEE CHART	DOCUMENT NO. SD-5103-002	SHEET NO. 1 OF 1
THIS DRAWING CONTAINS INFORMATION THAT IS PROPRIETARY TO MOLEX INCORPORATED AND SHOULD NOT BE USED WITHOUT WRITTEN PERMISSION		