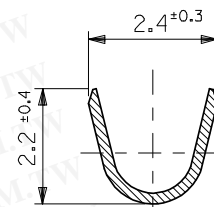
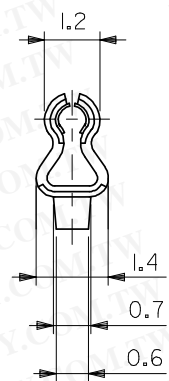
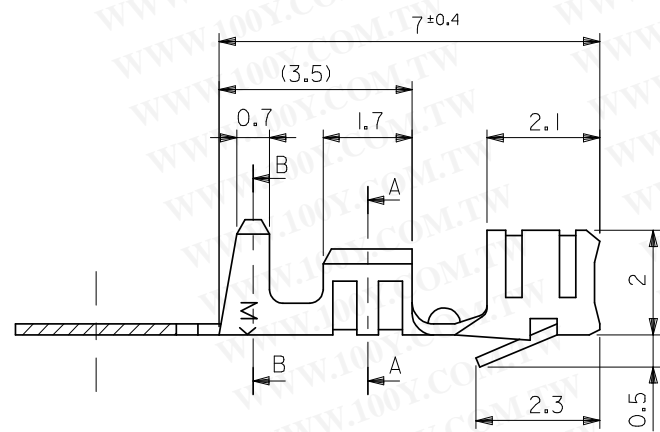


断面 A-A
SECT. A-A



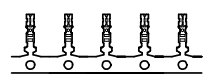
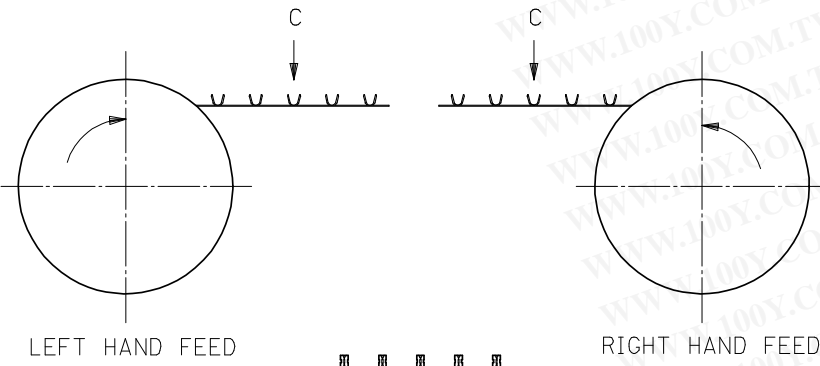
断面 B-B
SECT. B-B



注記
NOTE

- 材質：リン青銅 (t=0.203)
MATERIAL : PHOSPHOR BRONZE
- メッキ：前錫メッキ
FINISH : PRE TINNED
- 使用ハウジング：5264 シリーズ
SUITABLE HOUSING : 5264 SERIES
- 適用電線範囲：AWG#22-28 (0.33 ~ 0.08mm²)
WIRE RANGE : AWG #22-28(0.33 - 0.08mm²)
- 被覆外形：φ1.15 ~ φ1.9
INSULATION RANGE : φ 1.15 - φ1.9

RIGHT HAND	39-00-0159	5263PBTR	連鎖状 CHAIN
LEFT HAND	08-70-1040	5263PBTL	バラ状 LOOSE
	08-70-1039	5263PBT	連鎖状 CHAIN
FEED TYPE	EDP NO.	ENG. NO.	端子形状 FORM



VIEW C

勝特力材料 886-3-5753170
 胜特力电子(上海) 86-21-34970699
 胜特力电子(深圳) 86-755-83298787
[Http://www.100y.com.tw](http://www.100y.com.tw)

REVISED EC NO: J2008-4450 DRAWN: NABEI 2008/07/01 CHK: KIKUYODA 2008/07/02 APPR: NUKITA 2008/07/02	GENERAL TOLERANCES (UNLESS SPECIFIED)		DIMENSION STYLE	SCALE	DESIGN UNITS	THIRD ANGLE PROJECTION	MODEL NO.
	10 UNDER	±0.2	MM ONLY	10:1	METRIC	◎	5263PBT*
	10 OVER 30 UNDER	±0.25		DRAWN BY DATE	TITLE	2.5 LOW PROFILE CRIMP RECEPTACLE	
	30 OVER	±0.3		K. TOJO '91/07/19			
	ANGULAR	±3 °		CHECKED BY DATE			
	DRAFT WHERE APPLICABLE MUST REMAIN WITHIN DIMENSIONS		APPROVED BY DATE	DOCUMENT NO.	MOLEX INCORPORATED		SHEET NO.
			M. ENOMOTO '91/08/09	SEE TABLE	SD-5263-003	1 OF 1	
	THIS DRAWING CONTAINS INFORMATION THAT IS PROPRIETARY TO MOLEX INCORPORATED AND SHOULD NOT BE USED WITHOUT WRITTEN PERMISSION						