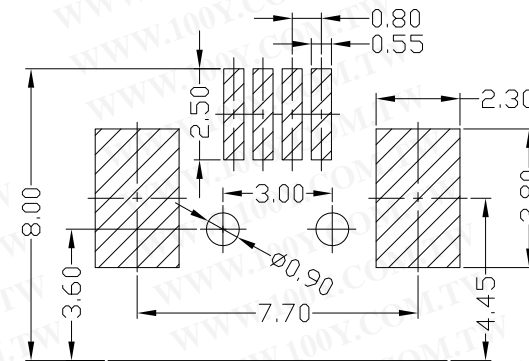
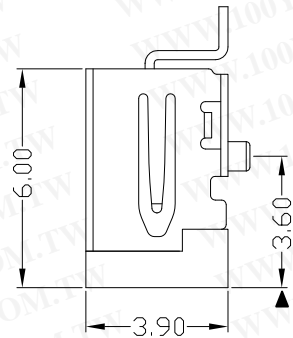
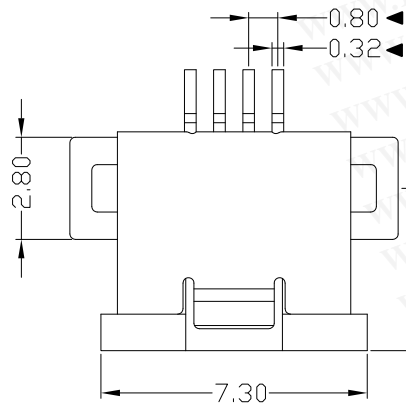




RoHS
Compliant
2002/95/EC

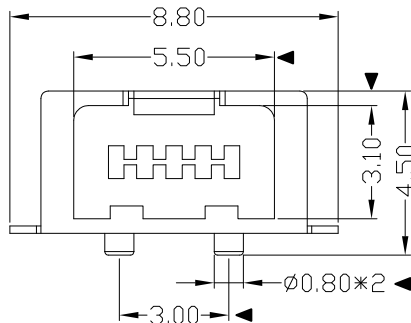
勝特力材料 886-3-5753170
勝特力电子(上海) 86-21-34970699
勝特力电子(深圳) 86-755-83298787
Http://www.100y.com.tw

REV.	ECN.	NO.	APPD.



RECOMMENDED PCB LAYOUT

双防



MNOTES:

- ELECTRICAL CHARACTERISTIC:
 - VOLTAGE CURRENT RATING: 1AMP,30V DC;
 - INSULATION RESISTANCE: 100MΩ MIN;
 - CONTACT RESISTANCE: 50mΩ MAX;
 - WITHSTANDING VOLTAGE: 300V AC;
- Mechanical:
 - Mating Force: 35N MAX
 - Unmating Force: 7N MIN.
- DIMENSIONS MARKED "▼" TO BE CHECKED BY Q.C & IPQC.

4.PART,NO

MUNF-04*N-4BH83

1: Au 1U"
6: Au 30U"

W: WHITE
B: BLACK
1: PBT
2: PA6T
3: PA9T
4: LCP

Bill of materials:

NO	PARTS	MATERIAL	QTY	FINISHING	UNITS	mm	TITLE:	PART NO.:		
3	HOUSING	LCP , BLACK, UL94 V-0	1	UL 94V-0	X. ±0.35	X.' ±2'	MINI USB 4P/F SMT (双防呆)	MUNF-04*N-4BH83		
2	SHELL	COPPER ALLOY, C2680	1	PLATED Ni	.X ±0.3	.X' ±1'	DR: Sandy 2009/8/17	DWG NO.:		
1	TERMINAL	COPPER ALLOY, C5191	4	GOLD/TIN PLATED	.XX ±0.25	.XX'	CHKD: Sandy 2009/8/18	AII-H83		
					.XXX ±0.15	.XXX'	APPD:	SCALE SHEET REV. ENGINEERING		
					THESE DRAWINGS AND SPECIFICATIONS ARE THE PROPERTY OF ACCURATE INNOTECH INC. AND SHALL NOT BE REPRODUCED, COPIED OR USED IN ANY MANNER WITHOUT THE PRIOR WRITTEN CONSENT OF ACCURATE INNOTECH INC.		1:1	1/1	A	DRAWING