



产品编号 : [03061062](#)

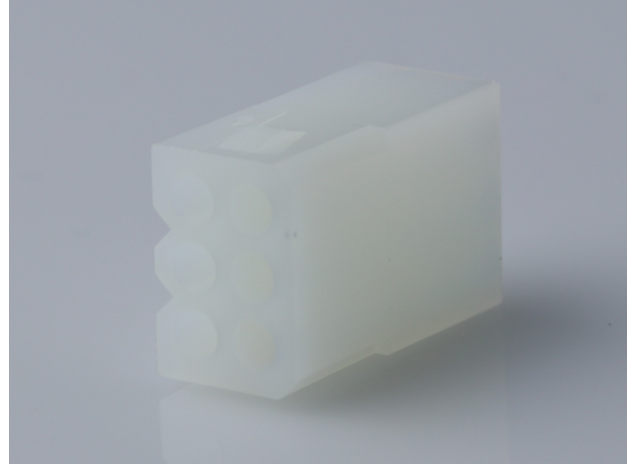
Product Description : 1.57mm Diameter Standard .062" Pin and Socket Receptacle Housing, 6 Circuits, without Mounting Ears, Natural

系列号 : 1625

状态 : Active

Product Category : Connector Housings

工程编号 : 1625-6R1



---

## 文件和资源

### 图纸

[图纸 003061062\\_sd.pdf](#)

### 3D 模型和设计文件

[3D模型 003061062\\_stp.zip](#)

### 规格

[包装规格 PK-1625-003-001.pdf](#)

[产品规格 PS-02-06-001.pdf](#)

---

## 产物环境合规

### 合规

GADSL/IMDS	Not Relevant
China RoHS	
EU ELV	Not Relevant
Low-Halogen Status	Low-Halogen per IEC 61249-2-21
REACH SVHC	Not Contained per D(2023)3788-DC (14 Jun 2023)
EU RoHS	Compliant per EU 2015/863

### 多部分产品合规性声明

- Eu RoHS
- REACH SVHC
- Low-Halogen

多部分行业合规性文件

- IPC 1752A Class C
- IPC 1752A Class D
- Molex Product Compliance Declaration
- IEC-62474
- chemSHERPA (xml)

欧盟 RoHS 合格证书

---

产品详情

常规

状态	活动
类别	Connector Housings
系列	1625
说明	1.57mm Diameter Standard .062" Pin and Socket Receptacle Housing, 6 Circuits, without Mounting Ears, Natural
应用	Power, Wire-to-Wire
个评论	Polarized to Mating Part
产品系列	Standard .062"+ and Standard .062" Pin and Socket Connector Systems
产品名称	Standard .062"
UPC	800753618718

机构

CSA	LR19980
UL	E29179

电气

每触点最大电流	5.0A
---------	------

物理

断开	否
电路详图	2x3
电路数 (最多)	6
颜色-树脂	Natural
阻燃性	94V-2

性别	Receptacle
符合灼热丝规范	否
插接极性	无
锁定插接部位	是
材料 - 树脂	Nylon
净重	1.519/g
行数	3
包装形式	Bag
面板安装式	否
间距 - 插配接口	3.68mm
间距 - 终端界面	3.68mm
有极性的插配件	是
可堆叠的	否
运行温度范围	-40° to +105° C

#### 进程

无铅	不适用
----	-----

---

#### 可配插/可连接使用的产品

##### 可配插部件

描述	产品编号
1.57mm Diameter Standard .062" Pin and Socket Plug Housing, 6 Circuits, without Mounting Ears, Natural	<u>0003062061</u>
1.57mm Diameter Standard .062" Pin and Socket Plug Housing, 6 Circuits, without Mounting Ears, Black	<u>0003067061</u>

##### 可连接使用部件

描述	产品编号
Standard .062" Pin and Socket Female Crimp Terminals	<u>1561</u>
Standard .062" Pin and Socket Female Crimp Terminals	<u>1855</u>
Standard .062" Pin and Socket Male Crimp Terminals	<u>1560</u>

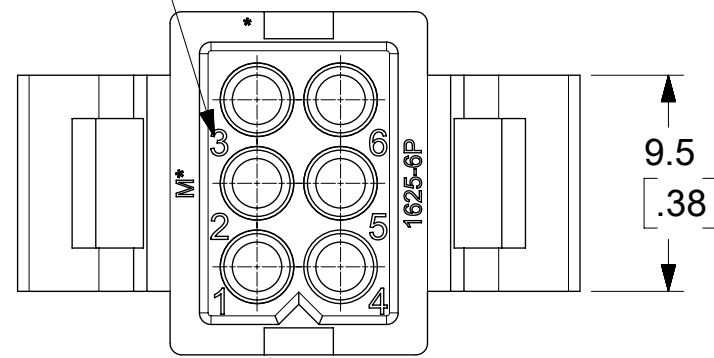
Standard .062" Pin and Socket Male Crimp Terminals	<u>1854</u>
Standard .062" Pin and Socket Male PC Tail Terminals	<u>1778</u>
Standard .062" Pin and Socket Female PC Tail Terminals	<u>1779</u>

---

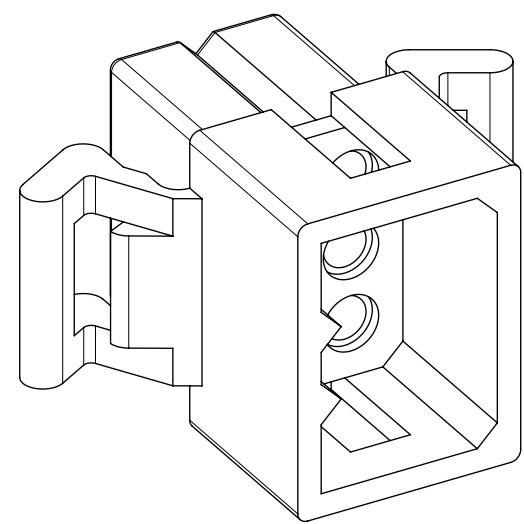
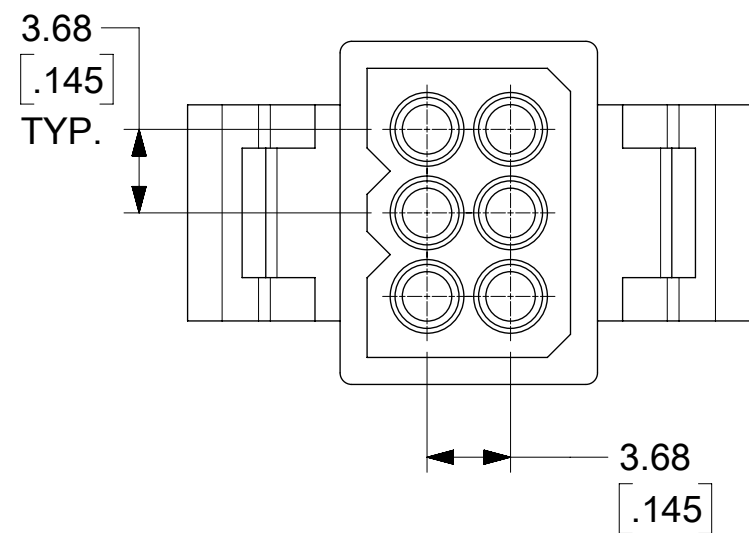
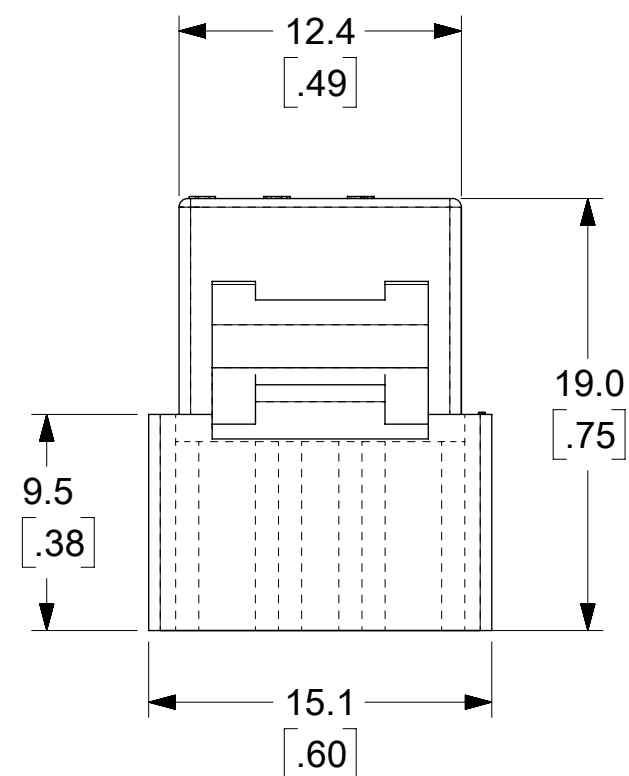
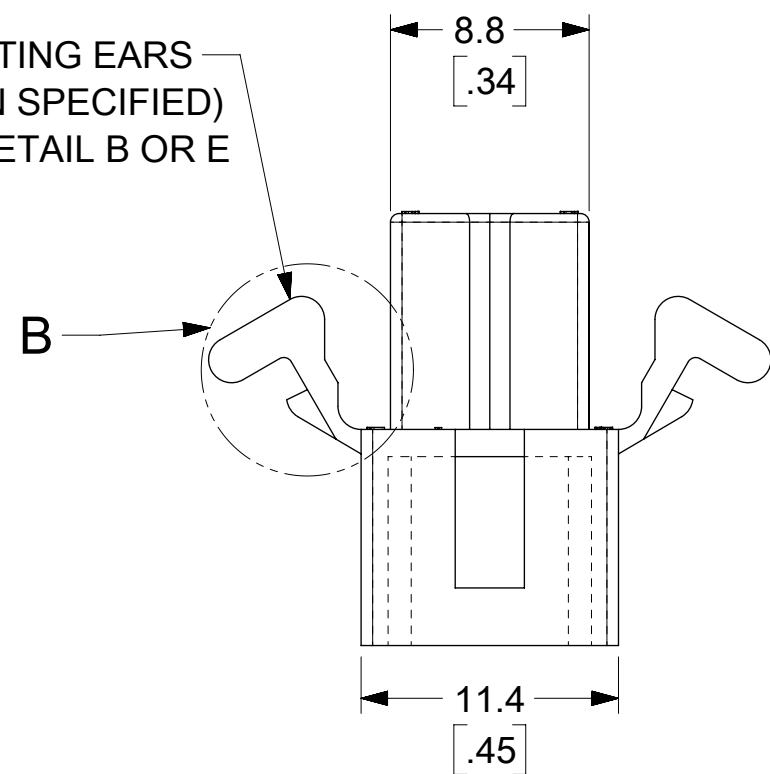
This document was generated on Jan 02, 2024

# PLUG

CIRCUIT NUMBERS  
(6 PL.)



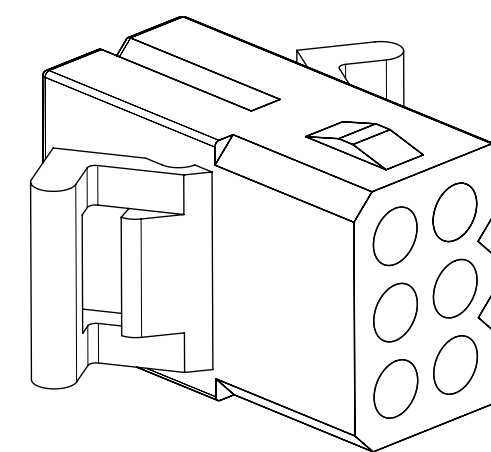
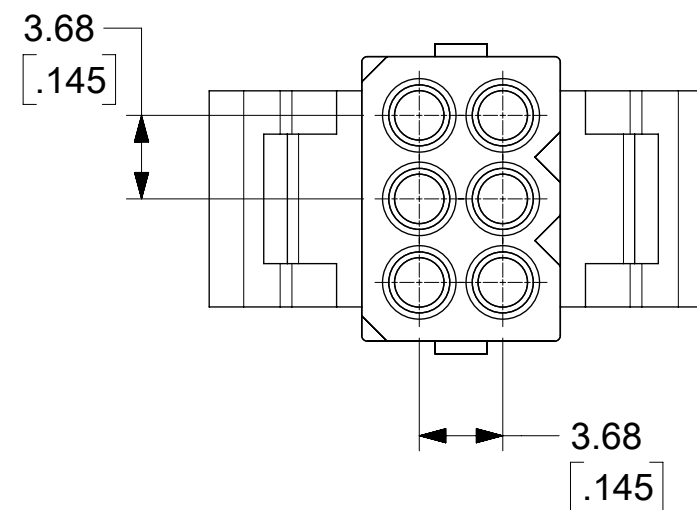
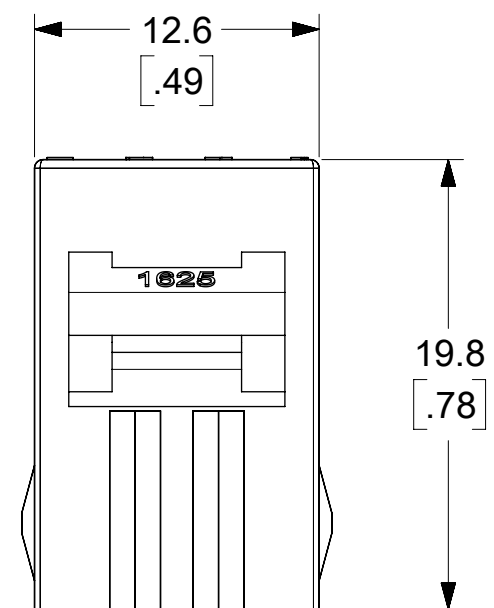
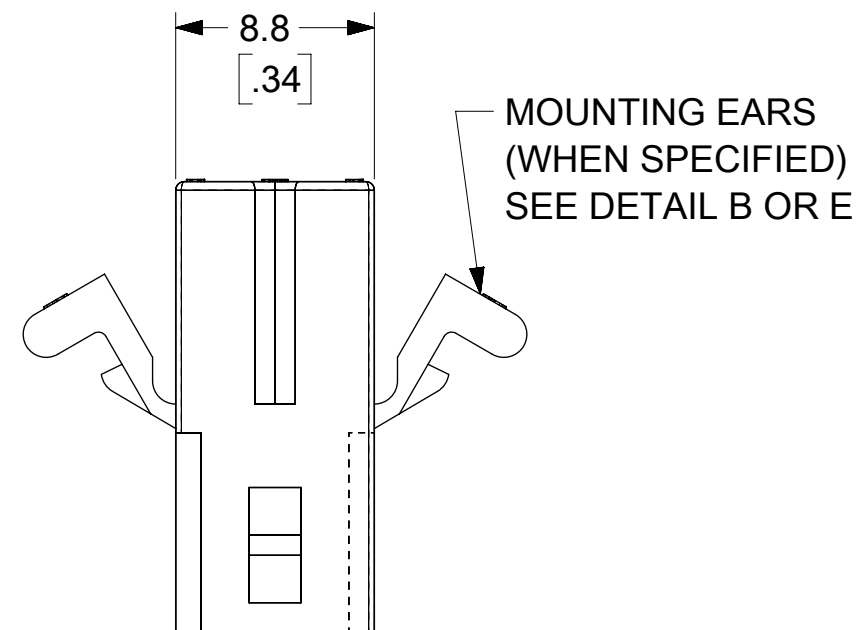
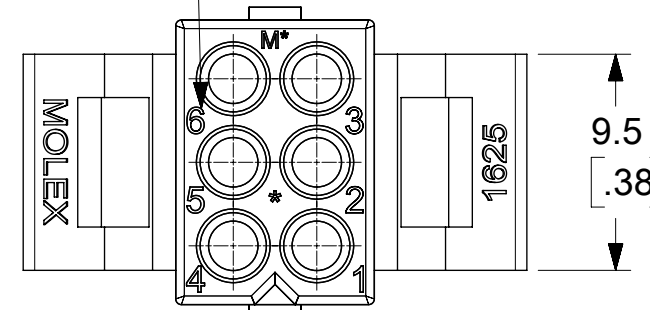
MOUNTING EARS  
(WHEN SPECIFIED)  
SEE DETAIL B OR E



PLUG  
SHOWN WITH PREBENT EAR

# RECEPTACLE

CIRCUIT NUMBERS  
(6 PL.)

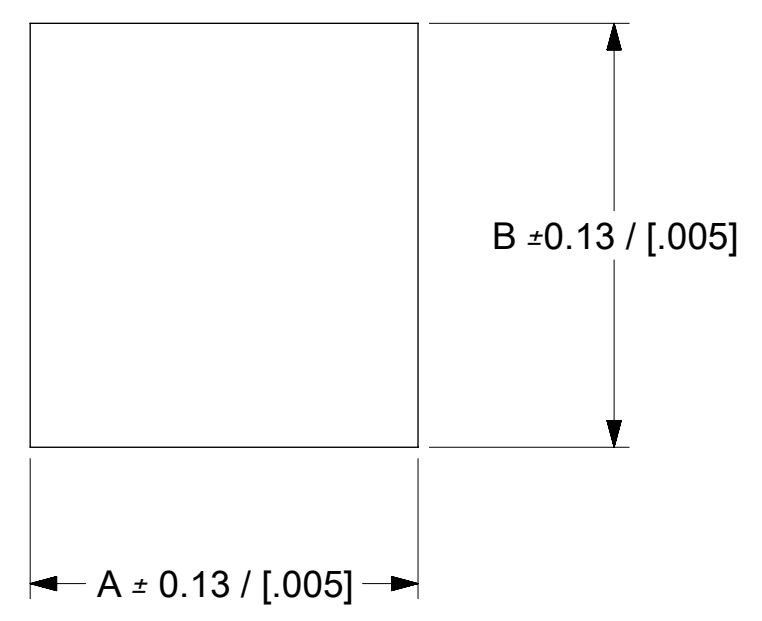
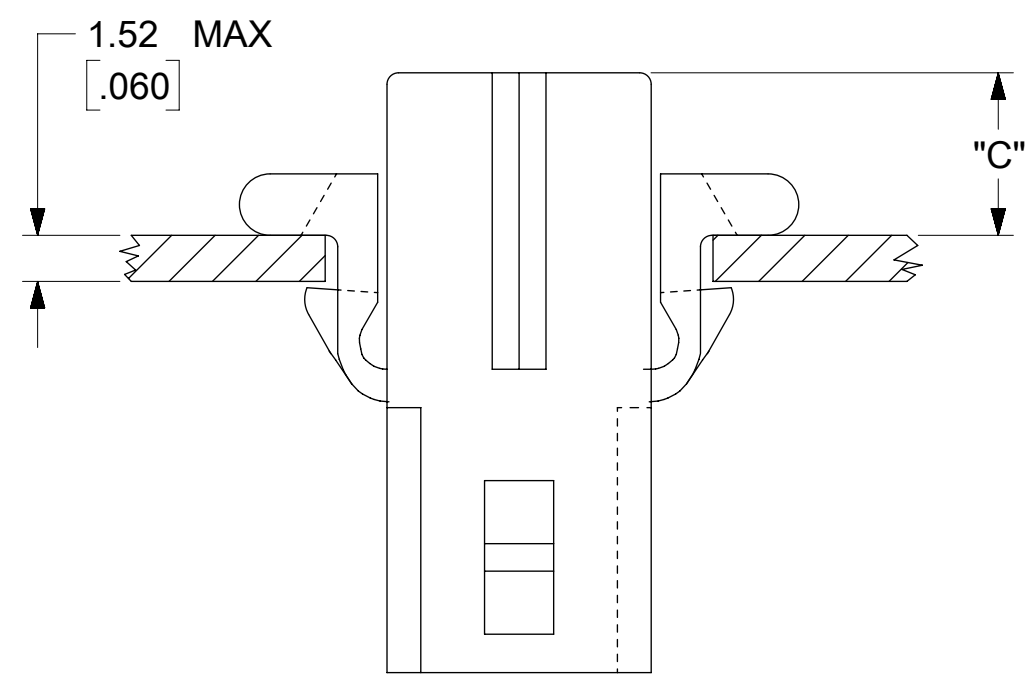


RECEPTACLE  
SHOWN WITH PREBENT EARS

THIS DRAWING CONTAINS INFORMATION THAT IS PROPRIETARY TO MOLEX ELECTRONIC TECHNOLOGIES, LLC AND SHOULD NOT BE USED WITHOUT WRITTEN PERMISSION										
QUALITY SYMBOLS	REMOVE STANDARD EAR EC NO: 167621 DRWN: MKIPPER CHKD: JBELL REV   APPR: FSMITH	GENERAL TOLERANCES (UNLESS SPECIFIED)		DIMENSION UNITS	SCALE					
		MM	INCH	MM/IN	3:1					
▽ = 0	2017/11/03 2018/01/17 2018/01/24	4 PLACES	±	±	DRWN BY	DATE	.062/(1.57) HSG PLUG & RECEPTACLE 6 CKT .145/(3.683) C.L.			
▽ = 0		3 PLACES	±	± 0.005	BAPPELDORN	2016/07/13				
▽ = 0		2 PLACES	± 0.13	± 0.01	CHK'D BY	DATE	PRODUCT CUSTOMER DRAWING			
▼ = 0		1 PLACES	± 0.25	±	MKIPPER	2016/07/13				
▽ = 0		0 PLACES	±	±	APPR BY	DATE	PRODUCT CUSTOMER DRAWING			
☒ = 0		ANGULAR TOL = 0.5	DRAFT WHERE APPLICABLE MUST REMAIN WITHIN DIMENSIONS		FSMITH	2016/07/13				
■ = 0				DRAWING SIZE	THIRD ANGLE PROJECTION	SERIES: 1625    MATERIAL NUMBER: SEE CHART    CUSTOMER: GENERAL MARKET				
▽ = 0				C						DOCUMENT NUMBER: 16250600-SD    DOC TYPE: PSD    DOC PART: 000    SHEET NUMBER: 1 OF 2

PLUG	
ORDER NO	ENG NO
03-06-2061	1625-6P1
03-06-7061	1625-6P1BK
46999-0804	1625-6P2

RECEPTACLE	
ORDER NO	ENG NO
03-06-1062	1625-6R1
03-06-6062	1625-6R1BK
46999-0805	1625-6R2



HOUSING	DIM. "A"	DIM. "B"	"C" PREBENT EAR	"C" STANDARD EAR
PLUG	15.42 / [.607]	15.62 / [.615]	5.6 / [.22]	4.6 / [.18]
RECEPTACLE	12.83 / [.505]	14.02 / [.552]	5.8 / [.23]	4.8 / [.19]

LEGEND:

1625-6\*\*\*\*

CIRCUIT SIZE

P = PLUG

R = RECEPTACLE

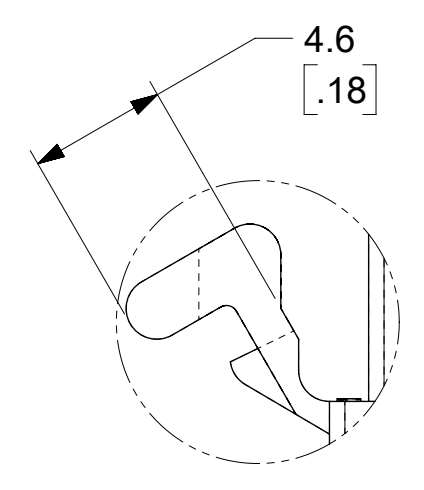
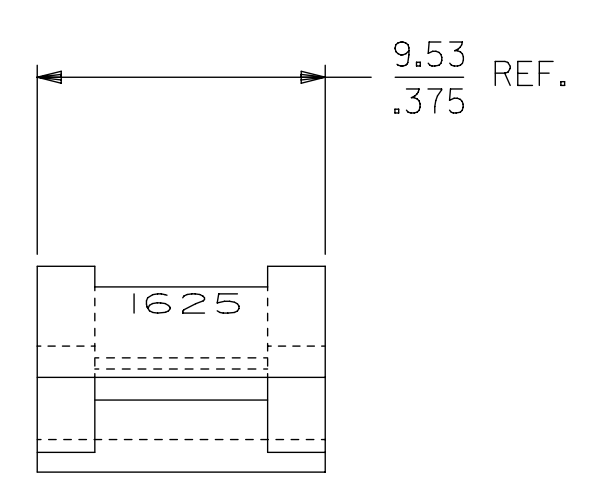
1 = WITHOUT EARS

2 = WITH PREBENT EARS

COLOR:

BLANK = NATURAL COLOR

BK = BLACK



DETAIL B  
SCALE 4:1

- NOTES:
1. MATERIAL NYLON TYPE 6/6, 94-2.
  2. FINISH: NONE.
  3. PRODUCT SPECS: MOLEX PRODUCT SPECS 02-06 APPLIES.
  4. PACKAGING SPECS: BULK PACK PK-1625-003.
  5. PARTS CONFORM TO CLASS B REQUIREMENTS OF COSMETIC SPECIFICATION PS-45499-002.

QUALITY SYMBOLS		THIS DRAWING CONTAINS INFORMATION THAT IS PROPRIETARY TO MOLEX ELECTRONIC TECHNOLOGIES, LLC AND SHOULD NOT BE USED WITHOUT WRITTEN PERMISSION				DIMENSION UNITS		SCALE		<b>molex</b>		
▽ = 0	▽ = 0	GENERAL TOLERANCES (UNLESS SPECIFIED)		MM/IN		1:1						
▽ = 0	▽ = 0	4 PLACES ± ±		DRWN BY		DATE		.062/(1.57) HSG PLUG & RECEPTACLE 6 CKT .145/(3.683) C.L.				
▽ = 0	▽ = 0	3 PLACES ± ± 0.005		BAPPELDORN		2016/07/13						
▽ = 0	▽ = 0	2 PLACES ± 0.13 ± 0.01		CHK'D BY		DATE		PRODUCT CUSTOMER DRAWING				
▽ = 0	▽ = 0	1 PLACES ± 0.25 ±		MKIPPER		2016/07/13						
▽ = 0	▽ = 0	0 PLACES ± ±		APPR BY		DATE		SERIES MATERIAL NUMBER CUSTOMER				
▽ = 0	▽ = 0	ANGULAR TOL = 0.5		FSMITH		2016/07/13					1625	SEE CHART
▽ = 0	▽ = 0	DRAFT WHERE APPLICABLE MUST REMAIN WITHIN DIMENSIONS		DRAWING SIZE		THIRD ANGLE PROJECTION		DOCUMENT NUMBER DOC TYPE DOC PART SHEET NUMBER				
▽ = 0	▽ = 0	C		C		C					16250600-SD	PSD