



产品编号：[03091092](#)

Product Description：2.36mm Diameter Standard .093" Pin and Socket Receptacle Housings, 9 Circuits, 3 Rows, with Panel Mount Ears, without Passive Lock Ramp

系列号：1292

状态：Active

Product Category：Connector Housings

工程编号：1292-R1



文件和资源

图纸

[图纸 003091092_sd.pdf](#)

[包装设计图 PK-1292-001-001.pdf](#)

3D 模型和设计文件

[3D模型 003091092_stp.zip](#)

规格

[产品规格 PS-1292-001-001.pdf](#)


[产品规格 PS-1292-002-001.pdf](#)

[产品规格 PS-02-09-001.pdf](#)

[产品规格 PS-43660-9999-001.pdf](#)

产物环境合规

合规

GADSL/IMDS	Not Relevant
China RoHS	
EU ELV	Not Relevant
Low-Halogen Status	Low-Halogen per IEC 61249-2-21
REACH SVHC	Not Contained per D(2023)3788-DC (14 Jun 2023)
EU RoHS	Compliant per EU 2015/863

[多部分产品合规性声明](#)

- Eu RoHS
- REACH SVHC
- Low-Halogen

多部分行业合规性文件

- IPC 1752A Class C
- IPC 1752A Class D
- Molex Product Compliance Declaration
- IEC-62474
- chemSHERPA (xml)

欧盟 RoHS 合格证书

产品详情

常规

状态	活动
类别	Connector Housings
系列	1292
说明	2.36mm Diameter Standard .093" Pin and Socket Receptacle Housings, 9 Circuits, 3 Rows, with Panel Mount Ears, without Passive Lock Ramp
应用	Power, Wire-to-Wire
个评论	14.0A max. can be achieved when housing is used with 42477 or 42478 terminals
产品系列	Standard .093" Pin and Socket Connectors
产品名称	Standard .093"
UPC	800753615137

机构

CSA	LR19980
UL	E29179

物理

电路数（最多）	9
颜色-树脂	Natural
阻燃性	94V-2
性别	Receptacle

符合灼热丝规范	否
锁定插接部位	无
材料 - 树脂	Nylon
净重	4.550/g
行数	3
包装形式	Bag
面板安装式	是
间距 - 插配接口	5.03mm
间距 - 终端界面	5.03mm
可堆叠的	否
运行温度范围	-40° to +105° C

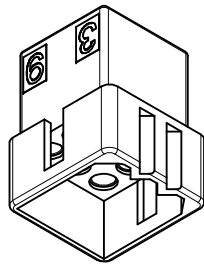
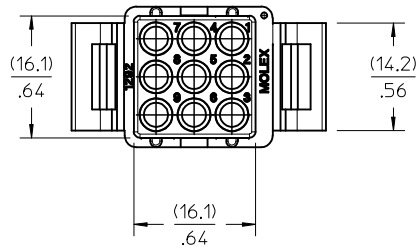
可配插/可连接使用的产品

可配插部件

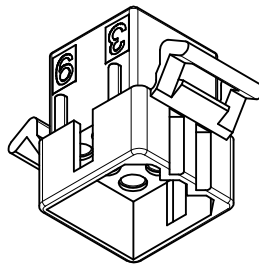
描述	产品编号
2.36mm Diameter Standard .093" Pin and Socket Plug Housings, 9 Circuits, 3 Rows	<u>0003092092</u>
Standard .093" Pin and Socket Vertical Headers	<u>3099</u>

可连接使用部件

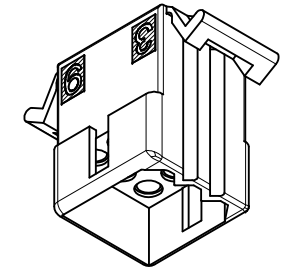
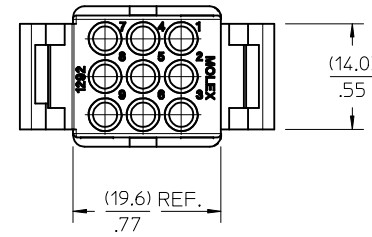
描述	产品编号
Standard .093" Pin and Socket Female Crimp Terminals	<u>1189</u>
Standard .093" Pin and Socket Male Crimp Terminals	<u>1190</u>
Standard .093" Pin and Socket Male Crimp Terminals	<u>1380</u>
Standard .093" Pin and Socket Female Crimp Terminals	<u>1381</u>
Standard .093" Pin and Socket Male Crimp Terminal	<u>1434</u>
Standard .093" Pin and Socket Male Crimp Grounding Terminals	<u>1973</u>



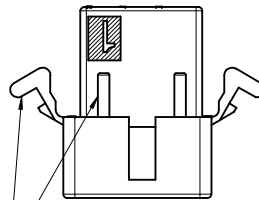
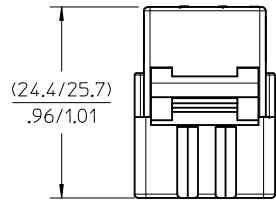
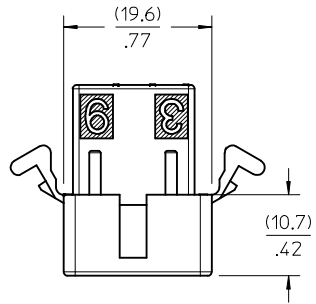
PLUG
1292-P1 SHOWN



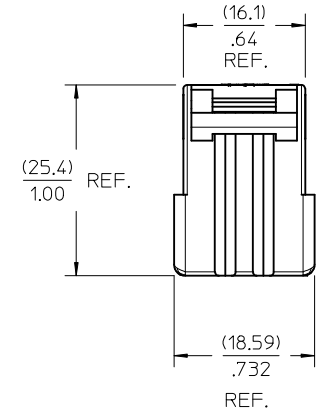
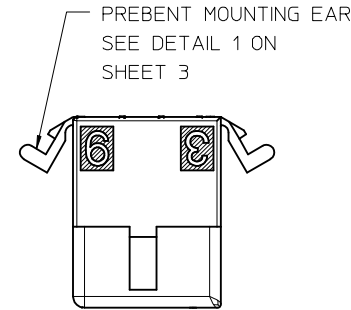
PLUG
1292-P2 SHOWN (WITH
RIBS & PREBENT EARS)



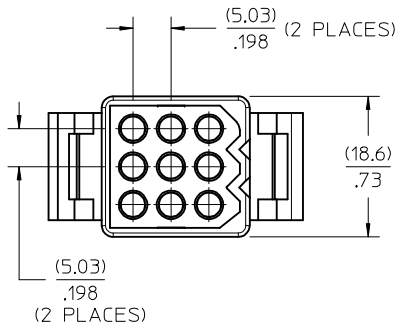
PLUG
1292-P SHOWN
(WITH BOTTOM MOUNT PREBENT EARS)



MOUNTING EARS AND
RIBS OPTION (SEE DETAIL 1 & NOTE 6
ON SHEET 3)



BOTTOM MOUNT PREBENT EAR OPTION

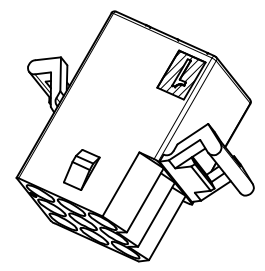
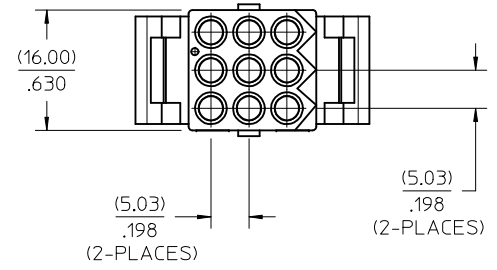
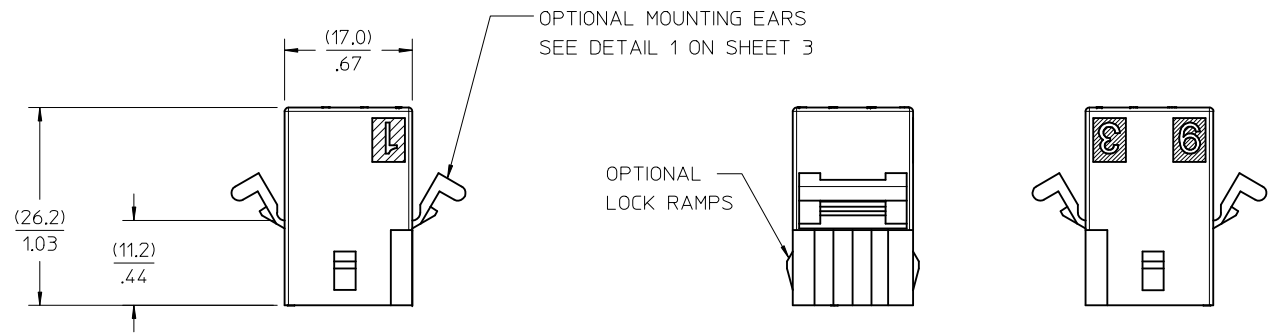
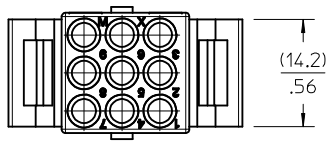


ADD SHEETS 2-3 EC NO: UCP2014-3075 DRW:WKIPPER 2014/01/27 CHKD:JBELL 2014/01/27 APPR:FSMITH 2014/02/14	DESCRIPTION	QUALITY SYMBOLS	GENERAL TOLERANCES (UNLESS SPECIFIED)	DIMENSION STYLE	SCALE	DESIGN UNITS	THIRD ANGLE PROJECTION
	REV			MM/IN	2:1	INCH	

4 PLACES	± .010	± .010
3 PLACES	± .014	± .014
2 PLACES	± 0.25	± .---
1 PLACE	± 0.35	± .---
ANGULAR ± 1/2°		
DRAFT WHERE APPLICABLE MUST REMAIN WITHIN DIMENSIONS		

DRAWN BY	DATE
CSTEWART	2011/07/21
CHECKED BY	DATE
APPROVED BY	DATE
FSMITH	2011/09/12
MATERIAL NO.	SEE CHART

TITLE	.093/(2.36) HOUSING, PLUG 9 CKT. .198/(5.03) CTRS
MOLEX INCORPORATED	SD-1292-0001
SHEET NO.	1 OF 3
THIS DRAWING CONTAINS INFORMATION THAT IS PROPRIETARY TO MOLEX INCORPORATED AND SHOULD NOT BE USED WITHOUT WRITTEN PERMISSION	



RECEPTACLE
1292-R SHOWN
(WITH PREBENT MOUNTING EARS & LOCK RAMPS)

SEE SHEET 1 EC NO: UCP2014-3075 DRWN:KIPPER 2014/01/27 CHKD:JBELL 2014/01/27 APPR:FSMITH 2014/02/14 W	QUALITY SYMBOLS ▽=0 ▽=0 ▽=0	GENERAL TOLERANCES (UNLESS SPECIFIED) mm INCH 4 PLACES ± --- ± .010 3 PLACES ± --- ± .014 2 PLACES ± 0.25 ± --- 1 PLACE ± 0.35 ± --- ANGULAR ± 1/2°	DIMENSION STYLE MM/IN DRAWN BY DATE C STEWART 2011/07/21 CHECKED BY DATE	SCALE 2:1 DESIGN UNITS INCH	THIRD ANGLE PROJECTION
	DRAFT WHERE APPLICABLE MUST REMAIN WITHIN DIMENSIONS		APPROVED BY DATE FSMITH 2011/09/12	TITLE .093/(2.36) HOUSING, PLUG 9 CKT. .198/(5.03) CTRS	
	MATERIAL NO. SEE CHART		MOLEX INCORPORATED		SHEET NO. 2 OF 3
	THIS DRAWING CONTAINS INFORMATION THAT IS PROPRIETARY TO MOLEX INCORPORATED AND SHOULD NOT BE USED WITHOUT WRITTEN PERMISSION				

PLUG	
PART NO.	ENG. NO.
03-09-2091	1292-P
03-09-2092	1292-P1
03-09-7091	1292-PBK
03-09-7092	1292-P1BK
NOT TOOLED	1292-P2
27-09-2092	1292-P1-A

RECEPTACLE	
PART NO.	ENG. NO.
03-09-1091	1292-R
03-09-1092	1292-R1
03-09-6091	1292-RBK
03-09-6092	1292-R1BK
03-09-1093	1292-R2
03-09-6093	1292-R2BK
03-09-1094	1292-R3
03-09-6094	1292-R3BK
27-09-1093	1292-R2-A

LEGEND: PLUG

1292-P * * * * *

P = PLUG

BLANK = WITH PREBENT BOTTOM MOUNT EARS

1 = WITHOUT EARS

2 = PLUG WITH PREBENT EARS & RIBS

COLOR: BLANK=NATURAL COLOR

AM=AMBER BK=BLACK BU=BLUE

BN=BROWN GY=GRAY GN=GREEN

OR=ORANGE RD=RED YW=YELLOW

MATERIAL: BLANK = NYLON 6/6, U.L. 94V-2

A = NYLON 6/6, U.L. 94V-0

LEGEND: RECEPTACLE

1292-R * * * * *

R = RECEPTACLE

BLANK = WITH PREBENT EARS, WITH LOCK RAMP

1 = WITH PREBENT EARS, WITHOUT LOCK RAMP

2 = WITHOUT EARS, WITHOUT LOCK RAMP

3 = WITHOUT EARS, WITH LOCK RAMP

COLOR: BLANK=NATURAL COLOR

AM=AMBER BK=BLACK BU=BLUE

BN=BROWN GY=GRAY GN=GREEN

OR=ORANGE RD=RED YW=YELLOW

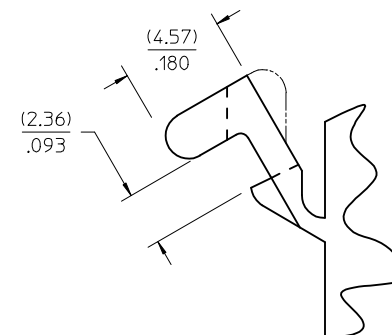
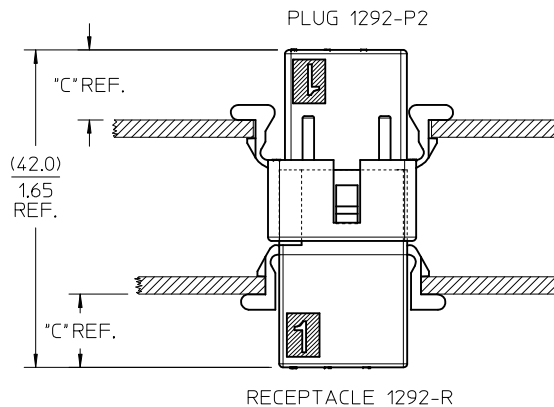
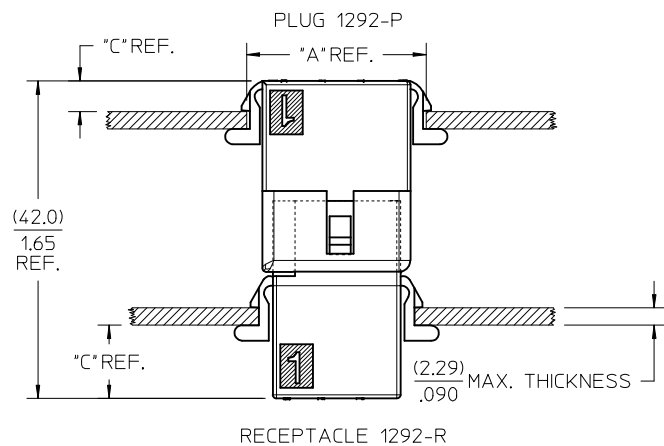
MATERIAL: BLANK = NYLON 6/6, U.L. 94V-2

A = NYLON 6/6, U.L. 94V-0

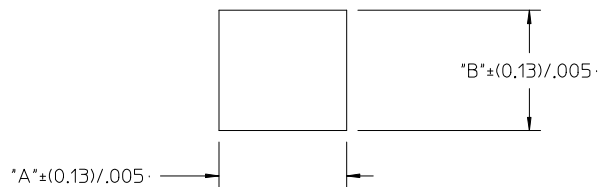
NOTES:

1. MATERIAL: SEE LEGEND
2. FINISH: N/A
3. THESE PARTS COMPLY WITH MOLEX PRODUCT SPEC. PS-02-09.
4. PACKAGING: PK-1292-001
5. HOUSINGS FOR USE WITH MOLEX .093/(2.36) PIN AND SOCKET TERMINALS.
6. RIBS ARE PRESENT ONLY ON PLUG 1292-P2.

HOUSING	DIM. "A"	DIM. "B"	DIM. "C"
STD. PLUG	(23.62)/.930	(19.30)/.760	(9.9)/.39
BOTTOM MOUNT PLUG	(23.80)/.937	(16.76)/.660	(4.1)/.16
RECEPTACLE	(21.03)/.828	(18.42)/.725	(10.4)/.41



DETAIL 1
.093/(2.36) PREBENT MOUNTING EAR



DETAIL 2
PANEL CUTOUT VIEW

SEE SHEET 1 EC NO: UCP2014-3075 DRW:WKIPPER 2014/01/27 CHKD:JBELL 2014/01/27 APPR:FSMITH 2014/02/14 W	QUALITY SYMBOLS ∇=0 ∇=0 ∇=0	GENERAL TOLERANCES (UNLESS SPECIFIED)		DIMENSION STYLE MM/IN		SCALE 2:1	DESIGN UNITS INCH	THIRD ANGLE PROJECTION
		4 PLACES ± --- ±.010 3 PLACES ± --- ±.014 2 PLACES ± 0.25 ± --- 1 PLACE ± 0.35 ± --- 0 PLACE ± ±	mm INCH ±.010 ±.014 ±.010 ±.014 ±.010 ±.014	DRAWN BY C STEWART	DATE 2011/07/21	TITLE .093/(2.36) HOUSING, PLUG 9 CKT. .198/(5.03) CTRS		
		DRAFT WHERE APPLICABLE MUST REMAIN WITHIN DIMENSIONS		APPROVED BY FSMITH	DATE 2011/09/12	molex		
		MATERIAL NO. SEE CHART		DOCUMENT NO. SD-1292-0001		SHEET NO. 3 OF 3		