



产品编号 : [03092061](#)

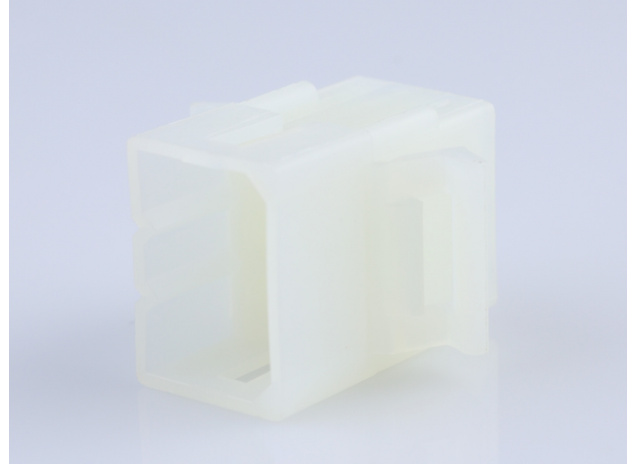
Product Description : 2.36mm Diameter Standard .093" Pin and Socket Plug Housing, 6 Circuits, Dual Row

系列号 : 1261

状态 : Active

Product Category : Connector Housings

工程编号 : 1261-P



文件和资源

图纸

[图纸 003092061_sd.pdf](#)

3D 模型和设计文件

[3D模型 003092061_stp.zip](#)

规格

[包装规格 PK-1261-001-001.pdf](#)

[产品规格 PS-02-09-001.pdf](#)

[产品规格 PS-43660-9999-001.pdf](#)

[产品规格 PS-42477-001.pdf](#)

产物环境合规

合规

GADSL/IMDS	Not Relevant
China RoHS	
EU ELV	Not Relevant
Low-Halogen Status	Low-Halogen per IEC 61249-2-21
REACH SVHC	Not Contained per D(2023)3788-DC (14 Jun 2023)
EU RoHS	Compliant per EU 2015/863

多部分产品合规性声明

- Eu RoHS

- REACH SVHC

- Low-Halogen

多部分行业合规性文件

- IPC 1752A Class C

- IPC 1752A Class D

- Molex Product Compliance Declaration

- IEC-62474

- chemSHERPA (xml)

欧盟 RoHS 合格证书

产品详情

常规

状态	活动
类别	Connector Housings
系列	1261
说明	2.36mm Diameter Standard .093" Pin and Socket Plug Housing, 6 Circuits, Dual Row
应用	Power, Wire-to-Wire
个评论	14.0A max. can be achieved when housing is used with 42477 or 42478 terminals
产品系列	Standard .093" Pin and Socket Connectors
产品名称	Standard .093"
UPC	800753614864

机构

CSA	LR19980
UL	E29179

物理

电路数（最多）	6
颜色-树脂	Natural
阻燃性	94V-2
性别	Plug
符合灼热丝规范	否

材料 - 树脂	Nylon
净重	3.581/g
行数	2
包装形式	Bag
面板安装式	是
间距 - 插配接口	5.03mm
间距 - 终端界面	5.03mm
可堆叠的	否
运行温度范围	-40° to +105° C

进程

无铅	不适用
----	-----

可配插/可连接使用的产品

可配插部件

描述	产品编号
2.36mm Diameter Standard .093" Pin and Socket Receptacle Housing, 6 Circuits, Dual Row, without Panel Mount Ears, without Friction Lock Ramp	<u>0003091063</u>
2.36mm Diameter Standard .093" Pin and Socket Receptacle Housing, 6 Circuits, Dual Row, Natural	<u>0003091064</u>

可连接使用部件

描述	产品编号
Standard .093" Pin and Socket Female Crimp Terminals	<u>1189</u>
Standard .093" Pin and Socket Male Crimp Terminals	<u>1190</u>
Standard .093" Pin and Socket Male Crimp Terminals	<u>1380</u>
Standard .093" Pin and Socket Female Crimp Terminals	<u>1381</u>
Standard .093" Pin and Socket Male Crimp Terminal	<u>1434</u>
Standard .093" Pin and Socket Male Crimp Grounding Terminals	<u>1973</u>

Standard .093" Pin and Socket Female Crimp Terminal	<u>4550</u>
--	-------------

This document was generated on Dec 29, 2023

PLUG	
PART NO.	ENG. NO.
03-09-2061	1261-P
03-09-2062	1261-P1

RECEPTACLE	
PART NO.	ENG. NO.
03-09-1061	1261-R
03-09-1062	1261-R1
03-09-1063	1261-R2
03-09-1064	1261-R3
46999-0809	1261-R4
46999-0810	1261-R5

LEGEND: PLUG

1261 - P * * * - * * *

P = PLUG

BLANK = PLUG WITH PREBENT MOUNTING EARS
1 = PLUG WITHOUT MOUNTING EARS

COLOR: BLANK = NATURAL COLOR
AM= AMBER BK= BLACK BU= BLUE
BN= BROWN GY= GRAY GN= GREEN
OR= ORANGE RD= RED YW= YELLOW

MATERIAL: BLANK = NYLON 6/6, UL94V-2

LEGEND: RECEPTACLE

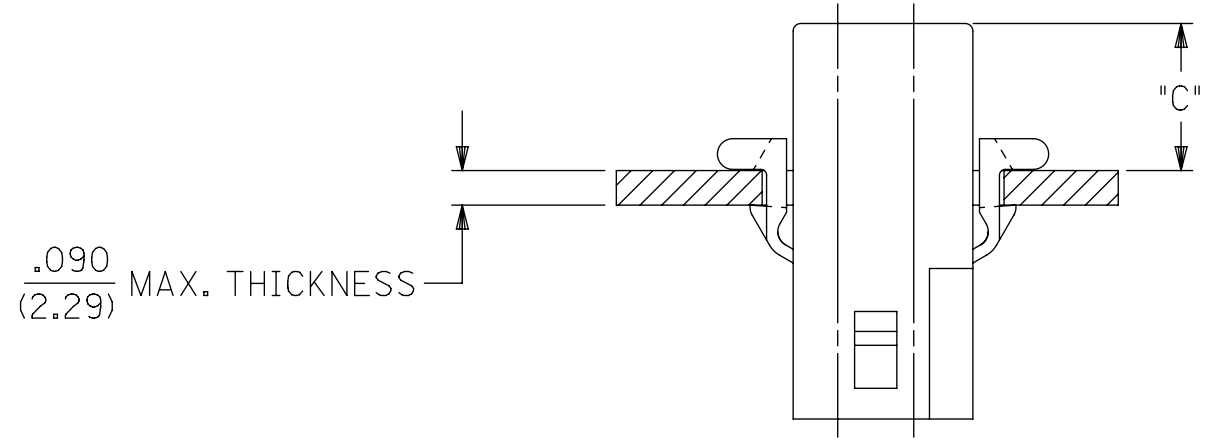
1261 - R * * * - * * *

R = RECEPTACLE

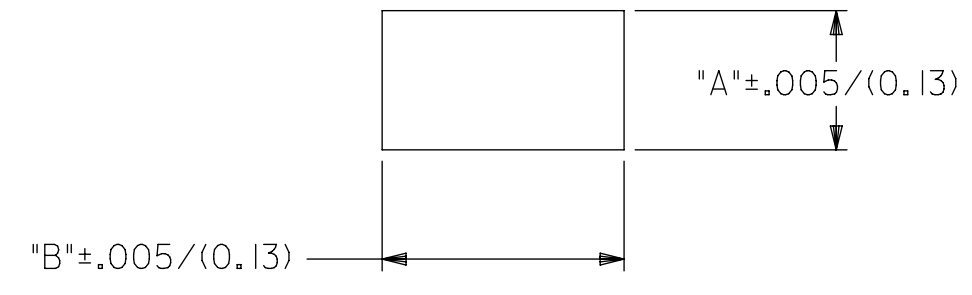
BLANK = WITH STD. MOUNTING EARS, WITH LOCK RAMP
1 = WITH STD. MOUNTING EARS, WITHOUT LOCK RAMP
2 = WITHOUT MOUNTING EARS, WITHOUT LOCK RAMP
3 = WITHOUT MOUNTING EARS, WITH LOCK RAMP
4 = WITH PREBENT MOUNTING EARS, WITH LOCK RAMP
5 = WITH PREBENT MOUNTING EARS, WITHOUT LOCK RAMP

COLOR: BLANK = NATURAL COLOR
AM= AMBER BK= BLACK BU= BLUE
BN= BROWN GY= GRAY GN= GREEN
OR= ORANGE RD= RED YW= YELLOW

MATERIAL: BLANK = NYLON 6/6, UL94V-2



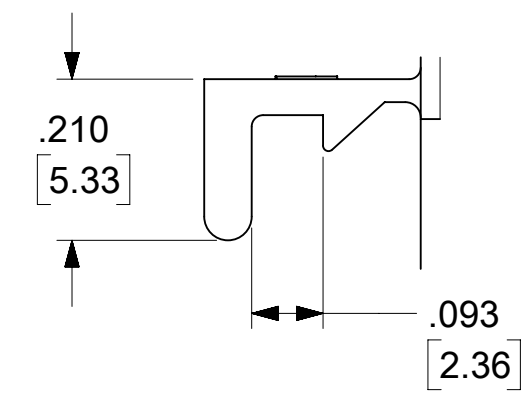
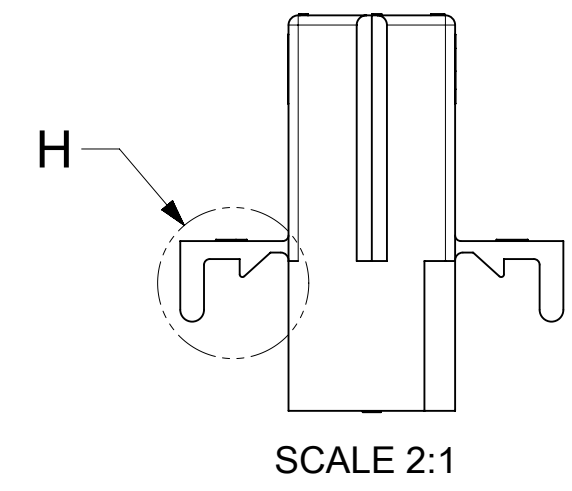
$\frac{.090}{(2.29)}$ MAX. THICKNESS



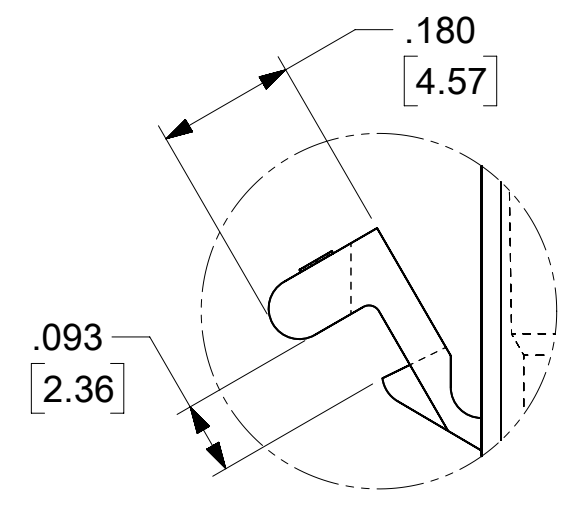
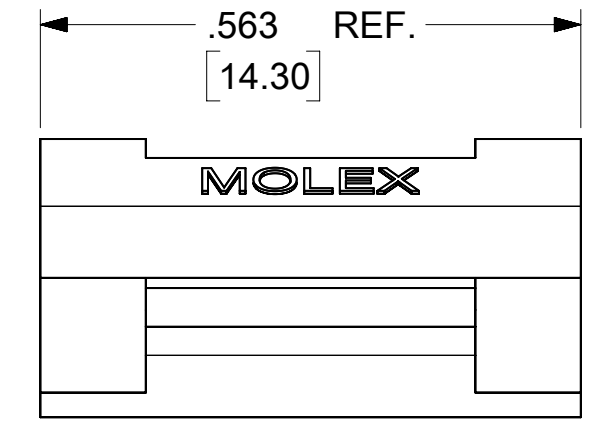
MOUNTING HOLE CUTOUT

HOUSING	DIM. "A"	DIM. "B"	DIM. "C" (STD. EAR)	DIM. C (PREBENT)
PLUG	.750/(19.05)	.695/(17.65)	.39/(9.9)	.40/(10.1)
RECEPTACLE	.718/(18.24)	.600/(15.24)	.40/(10.1)	.41/(10.3)

- NOTES:
- MATERIAL: SEE LEGEND
 - FINISH: NONE
 - PRODUCT SPECIFICATION: PS-43660-9999
 - PACKAGING INFORMATION: PK-1261-001
 - HOUSINGS FOR USE WITH MOLEX .093/(2.36) PIN AND SOCKET TERMINALS.
 - CIRCUIT I.D. NUMBERS ON SIDE OF HOUSING APPEAR ON PARTS FROM TOOLS BUILT AFTER 9/3/91.
 - WHERE DENOTED IN CHART, TOOLS ARE BUILT WITH PREBENT MOUNTING EARS PER DETAIL E AND SUPERSEDE ALL TOOLS PREVIOUSLY BUILT WITH THE STANDARD MOUNTING EARS.
 - TEXT AND CIRCUIT IDENTIFIERS ARE SHOWN IN APPROXIMATE LOCATION BUT MAY VARY TO ACCOMODATE TOOLING.
 - THIS PART CONFORMS TO CLASS B REQUIREMENTS OF COSMETIC SPECIFICATION PS-45499-002.
 - THIS DRAWING REPLACES SD-1261-*



DETAIL H
SCALE 4:1
.093/(2.36) STANDARD MOUNTING EAR



DETAIL E
SCALE 4:1
.093/(2.36) PREBENT MOUNTING EAR

QUALITY SYMBOLS		THIS DRAWING CONTAINS INFORMATION THAT IS PROPRIETARY TO MOLEX ELECTRONIC TECHNOLOGIES, LLC AND SHOULD NOT BE USED WITHOUT WRITTEN PERMISSION				DIMENSION UNITS		SCALE				
	= 0	GENERAL TOLERANCES (UNLESS SPECIFIED)		IN/MM		1:1		.093/2.36 PLUG AND RECEPTACLE HOUSING				
	= 0			MM							PRODUCT CUSTOMER DRAWING	
	= 0			INCH				SERIES: 1261 MATERIAL NUMBER: SEE CHART CUSTOMER: GENERAL MARKET				
	= 0			4 PLACES \pm		BAPPELDORN					DATE: 2017/01/11	
	= 0			3 PLACES \pm		CHK'D BY: MKIPPER		DATE: 2017/01/11				
	= 0			2 PLACES \pm		APPR BY: FSMITH		DATE: 2017/01/18				
	= 0			1 PLACES \pm		DRAWING SIZE: C		THIRD ANGLE PROJECTION				
	= 0			0 PLACES \pm		ANGULAR TOL =						
	= 0			DRAFT WHERE APPLICABLE MUST REMAIN WITHIN DIMENSIONS								