



产品编号 : [03092062](#)

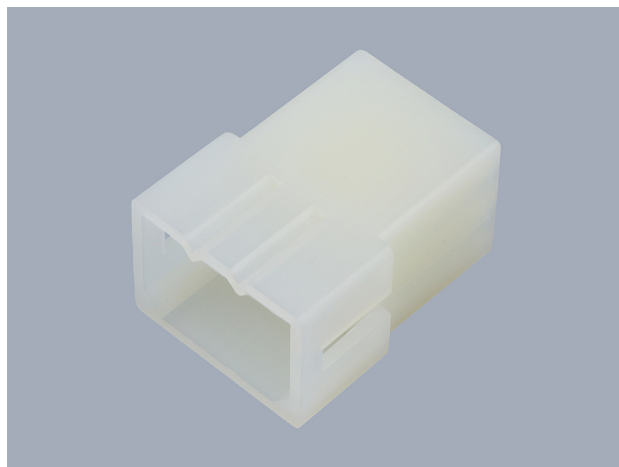
Product Description : 2.36mm Diameter Standard .093" Pin and Socket Plug Housing, 6 Circuits, Dual Row

系列号 : 1261

状态 : Active

Product Category : Connector Housings

工程编号 : 1261-P1



文件和资源

图纸

[图纸 003092062_sd.pdf](#)

3D 模型和设计文件

[3D模型 003092062_stp.zip](#)

规格


[包装规格 PK-1261-001-001.pdf](#)

[产品规格 PS-02-09-001.pdf](#)

[产品规格 PS-43660-9999-001.pdf](#)

产物环境合规

合规

GADSL/IMDS	Not Relevant
China RoHS	
EU ELV	Not Relevant
Low-Halogen Status	Low-Halogen per IEC 61249-2-21
REACH SVHC	Not Contained per D(2023)3788-DC (14 Jun 2023)
EU RoHS	Compliant per EU 2015/863

多部分产品合规性声明

- Eu RoHS

- REACH SVHC

- Low-Halogen

多部分行业合规性文件

- IPC 1752A Class C

- IPC 1752A Class D

- Molex Product Compliance Declaration

- IEC-62474

- chemSHERPA (xml)

欧盟 RoHS 合格证书

产品详情

常规

状态	活动
类别	Connector Housings
系列	1261
说明	2.36mm Diameter Standard .093" Pin and Socket Plug Housing, 6 Circuits, Dual Row
应用	Power, Wire-to-Wire
个评论	14.0A max. can be achieved when housing is used with 42477 or 42478 terminals
产品系列	Standard .093" Pin and Socket Connectors
产品名称	Standard .093"
UPC	800753618879

机构

CSA	LR19980
UL	E29179

物理

电路数（最多）	6
颜色-树脂	Natural
阻燃性	94V-2
性别	Plug
符合灼热丝规范	否
材料 - 树脂	Nylon

净重	3.160/g
行数	2
包装形式	Bag
面板安装式	否
间距 - 插配接口	5.03mm
间距 - 终端界面	5.03mm
可堆叠的	否
运行温度范围	-40° to +105° C

进程

无铅	不适用
----	-----

可配插/可连接使用的产品

可配插部件

描述	产品编号
2.36mm Diameter Standard .093" Pin and Socket Receptacle Housing, 6 Circuits, Dual Row, Natural	<u>0003091061</u>
2.36mm Diameter Standard .093" Pin and Socket Receptacle Housing, 6 Circuits, Dual Row, Natural	<u>0003091062</u>
2.36mm Diameter Standard .093" Pin and Socket Receptacle Housing, 6 Circuits, Dual Row, without Panel Mount Ears, without Friction Lock Ramp	<u>0003091063</u>
2.36mm Diameter Standard .093" Pin and Socket Receptacle Housing, 6 Circuits, Dual Row, Natural	<u>0003091064</u>

可连接使用部件

描述	产品编号
Standard .093" Pin and Socket Female Crimp Terminals	<u>1189</u>
Standard .093" Pin and Socket Male Crimp Terminals	<u>1190</u>
Standard .093" Pin and Socket Male Crimp Terminals	<u>1380</u>

Standard .093" Pin and Socket Female Crimp Terminals	<u>1381</u>
Standard .093" Pin and Socket Male Crimp Terminal	<u>1434</u>
Standard .093" Pin and Socket Male Crimp Grounding Terminals	<u>1973</u>
Standard .093" Pin and Socket Female Crimp Terminal	<u>4550</u>

This document was generated on Jan 02, 2024

PLUG	
PART NO.	ENG. NO.
03-09-2061	1261-P
03-09-2062	1261-P1

RECEPTACLE	
PART NO.	ENG. NO.
03-09-1061	1261-R
03-09-1062	1261-R1
03-09-1063	1261-R2
03-09-1064	1261-R3
46999-0809	1261-R4
46999-0810	1261-R5

LEGEND: PLUG

1261 - P * * * - * * *

P = PLUG

BLANK = PLUG WITH PREBENT MOUNTING EARS
1 = PLUG WITHOUT MOUNTING EARS

COLOR: BLANK = NATURAL COLOR
AM= AMBER BK= BLACK BU= BLUE
BN= BROWN GY= GRAY GN= GREEN
OR= ORANGE RD= RED YW= YELLOW

MATERIAL: BLANK = NYLON 6/6, UL94V-2

LEGEND: RECEPTACLE

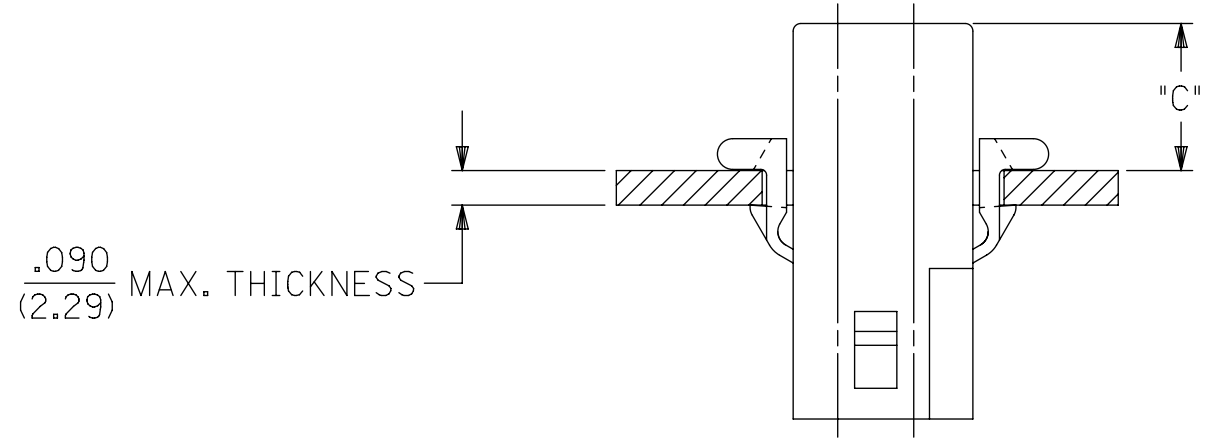
1261 - R * * * - * * *

R = RECEPTACLE

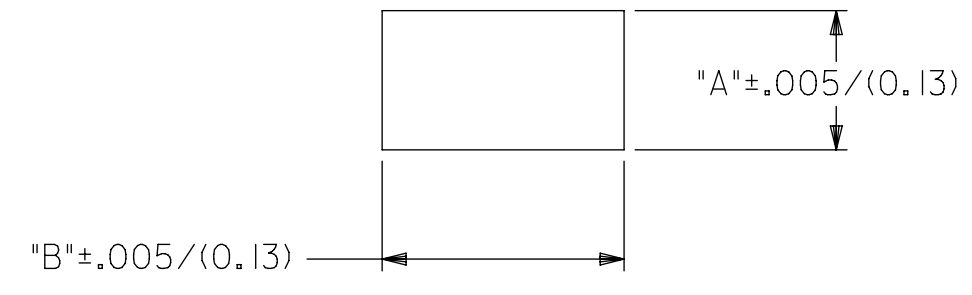
BLANK = WITH STD. MOUNTING EARS, WITH LOCK RAMP
1 = WITH STD. MOUNTING EARS, WITHOUT LOCK RAMP
2 = WITHOUT MOUNTING EARS, WITHOUT LOCK RAMP
3 = WITHOUT MOUNTING EARS, WITH LOCK RAMP
4 = WITH PREBENT MOUNTING EARS, WITH LOCK RAMP
5 = WITH PREBENT MOUNTING EARS, WITHOUT LOCK RAMP

COLOR: BLANK = NATURAL COLOR
AM= AMBER BK= BLACK BU= BLUE
BN= BROWN GY= GRAY GN= GREEN
OR= ORANGE RD= RED YW= YELLOW

MATERIAL: BLANK = NYLON 6/6, UL94V-2



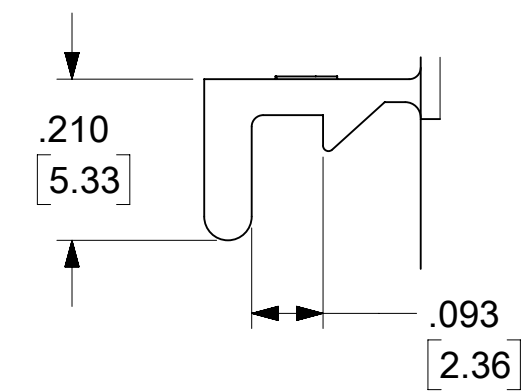
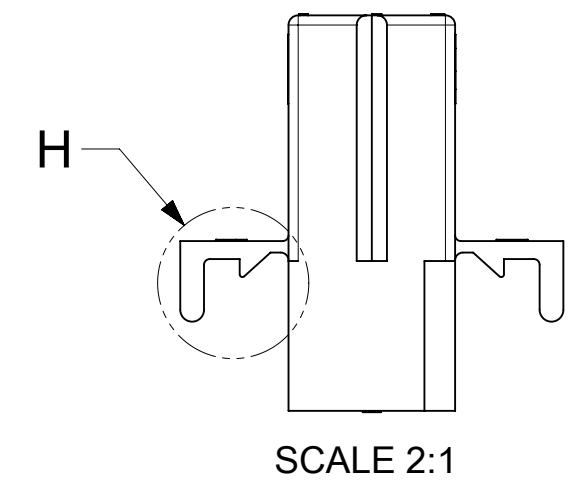
.090
(2.29) MAX. THICKNESS



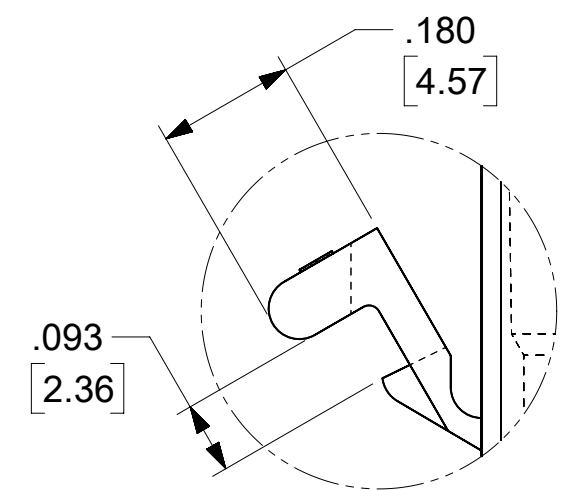
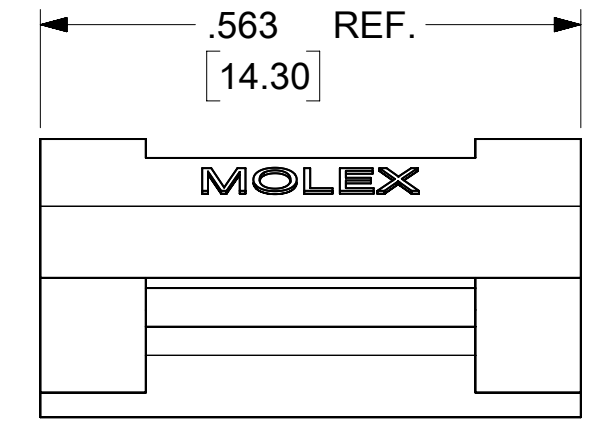
MOUNTING HOLE CUTOUT

HOUSING	DIM. "A"	DIM. "B"	DIM. "C" (STD. EAR)	DIM. C (PREBENT)
PLUG	.750/(19.05)	.695/(17.65)	.39/(9.9)	.40/(10.1)
RECEPTACLE	.718/(18.24)	.600/(15.24)	.40/(10.1)	.41/(10.3)

- NOTES:
- MATERIAL: SEE LEGEND
 - FINISH: NONE
 - PRODUCT SPECIFICATION: PS-43660-9999
 - PACKAGING INFORMATION: PK-1261-001
 - HOUSINGS FOR USE WITH MOLEX .093/(2.36) PIN AND SOCKET TERMINALS.
 - CIRCUIT I.D. NUMBERS ON SIDE OF HOUSING APPEAR ON PARTS FROM TOOLS BUILT AFTER 9/3/91.
 - WHERE DENOTED IN CHART, TOOLS ARE BUILT WITH PREBENT MOUNTING EARS PER DETAIL E AND SUPERSEDE ALL TOOLS PREVIOUSLY BUILT WITH THE STANDARD MOUNTING EARS.
 - TEXT AND CIRCUIT IDENTIFIERS ARE SHOWN IN APPROXIMATE LOCATION BUT MAY VARY TO ACCOMODATE TOOLING.
 - THIS PART CONFORMS TO CLASS B REQUIREMENTS OF COSMETIC SPECIFICATION PS-45499-002.
 - THIS DRAWING REPLACES SD-1261-*



DETAIL H
SCALE 4:1
.093/(2.36) STANDARD MOUNTING EAR



DETAIL E
SCALE 4:1
.093/(2.36) PREBENT MOUNTING EAR

QUALITY SYMBOLS	THIS DRAWING CONTAINS INFORMATION THAT IS PROPRIETARY TO MOLEX ELECTRONIC TECHNOLOGIES, LLC AND SHOULD NOT BE USED WITHOUT WRITTEN PERMISSION			
	GENERAL TOLERANCES (UNLESS SPECIFIED)		DIMENSION UNITS	SCALE
	0	MM	INCH	1:1
	0	4 PLACES ±		DRWN BY DATE
	0	3 PLACES ± ± 0.007		BAPPELDORN 2017/01/11
	0	2 PLACES ± 0.18 ± 0.01		CHK'D BY DATE
	0	1 PLACES ± 0.25 ±		MKIPPER 2017/01/11
	0	0 PLACES ± ±		APPR BY DATE
	0	ANGULAR TOL ±		FSMITH 2017/01/18
	0	DRAFT WHERE APPLICABLE MUST REMAIN WITHIN DIMENSIONS	DRAWING SIZE	THIRD ANGLE PROJECTION
	0		C	
UPDATE VIEWS		SERIES		MATERIAL NUMBER
EC NO: 114311	2017/03/09	1261	SEE CHART	
DRWN: MKIPPER	2017/04/06	CUSTOMER		GENERAL MARKET
CHKD: JDFOX	2017/04/07	DOCUMENT NUMBER	DOC TYPE	DOC PART
REV APPR: FSMITH		12610000-SD	PSD	000
RELEASE STATUS		SHEET NUMBER		
P1	2 OF 2			
RELEASE DATE	07.04.2017			
21:41:04				