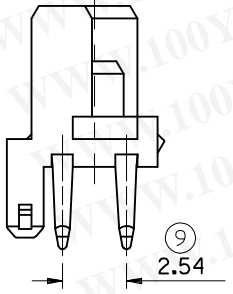
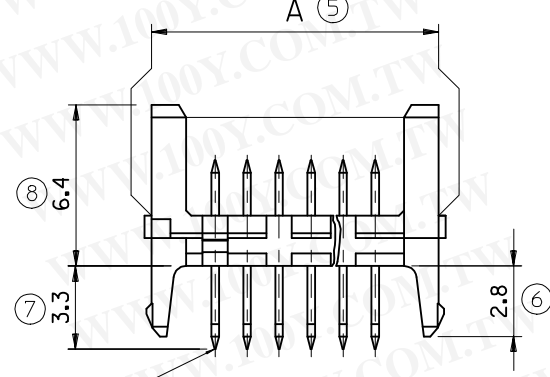


勝特力材料 886-3-5753170  
 勝特力电子(上海) 86-21-34970699  
 勝特力电子(深圳) 86-755-83298787  
[Http://www.100y.com.tw](http://www.100y.com.tw)



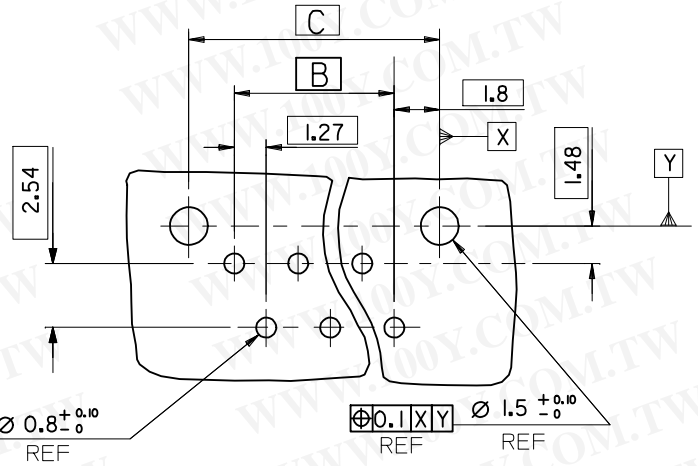
90325 - **26	26	36.80	31.75	35.35	37.26
↑ - **24	24	34.26	29.21	32.81	34.72
- **22	22	31.72	26.67	30.27	32.18
- **20	20	29.18	24.13	27.73	29.64
- **18	18	26.64	21.59	25.19	27.10
- **16	16	24.10	19.05	22.65	24.56
- **14	14	21.56	16.51	20.11	22.02
- **12	12	19.02	13.97	17.57	19.48
- **10	10	16.48	11.43	15.03	16.94
- **08	8	13.94	8.89	12.49	14.40
↓ - **06	6	11.40	6.35	9.95	11.86
90325 - **04	4	8.86	3.81	7.41	9.32
PART NO.	NO. OF CKTS	DIM. A	DIM. B	DIM. C	DIM. D

CIRCUIT No. 1 90325- \* \* \* \*

- CIRCUIT SIZE 04 CKT TO 26 CKT
- 0 = HOUSING : COLOUR BLACK
- 9 = HOUSING : CUSTOMER SPECIFIC (COLOUR BLACK)

0= 3-5um TIN ASSY  
 3= 0.6um PALLADIUM NICKEL ASSY  
 5= NON STANDARD VOIDED OPTION SEE SHEET 2 TUBED  
 6= ROUND PEG WITH KINKS OPTION SEE SHEET 3  
 7= 0.6um PALLADIUM NICKEL, TUBED  
 9= 3-5um TIN ASSY TUBED

PCB LAYOUT VIEWED FROM SOLDER SIDE.  
 BOARD 1.60±0.14 THK



INSPECTION NUMBERS USED ON SHEET 1: 1-20  
 LAST INSPECTION NUMBER USED: 9

**NOTES:**

- HOUSING MATL. POLYESTER PBT 15% GLASS FILLED TO UL94V-0.
- TER. MATL. BRASS 0.28 THK  
 PLATING. TIN: 1.27um MIN NICKEL  
 UNDER 3-5um TIN  
 PLATING PALLADIUM NICKEL (PdNi): 1.27um MIN. NICKEL  
 UNDER 3-5um SELECTIVE TIN AND  
 0.6um PdNi UNDER 0.05um GOLD FLASH
- CONFORMS TO PRODUCT SPECIFICATION PS-99020-0011
- PACKAGING SPECIFICATION: PK-90325-001

REMOVED GOLD OPTION ADDED NOTE 4 EC NO: IPG2012-0576 DRWING BY: RINES 2011/10/27 CHK'D BY: SMC GREVY 2012/03/29 APPR: EFOLAN 2012/07/17	DESCRIPTION AR
--	-------------------

QUALITY SYMBOLS ▽=0 ◻=0	GENERAL TOLERANCES (UNLESS SPECIFIED)	DIMENSION STYLE MM ONLY	SCALE 5:1	DESIGN UNITS METRIC	THIRD ANGLE PROJECTION															
	<table border="1"> <tr> <th></th> <th>mm</th> <th>INCH</th> </tr> <tr> <td>4 PLACES</td> <td>± ---</td> <td>± ---</td> </tr> <tr> <td>3 PLACES</td> <td>± ---</td> <td>± ---</td> </tr> <tr> <td>2 PLACES</td> <td>± 0.20</td> <td>± ---</td> </tr> <tr> <td>1 PLACE</td> <td>± 0.20</td> <td>± ---</td> </tr> </table> ANGULAR ±1/2°		mm	INCH	4 PLACES	± ---	± ---	3 PLACES	± ---	± ---	2 PLACES	± 0.20	± ---	1 PLACE	± 0.20	± ---	DRAWN BY: DMCN CHECKED BY: ROCONNOR APPROVED BY: MWILHITE DATE: 2001/05/29 DATE: 2001/05/29 DATE: 2001/05/29	TITLE HEADER ASSEMBLY	MOLEX INCORPORATED DOCUMENT NO. SDA-90325 SHEET NO. 1 OF 3	
	mm	INCH																		
4 PLACES	± ---	± ---																		
3 PLACES	± ---	± ---																		
2 PLACES	± 0.20	± ---																		
1 PLACE	± 0.20	± ---																		
DRAFT WHERE APPLICABLE MUST REMAIN WITHIN DIMENSIONS		THIS DRAWING CONTAINS INFORMATION THAT IS PROPRIETARY TO MOLEX INCORPORATED AND SHOULD NOT BE USED WITHOUT WRITTEN PERMISSION																		