



产品编号 : [1053081212](#)

Product Description : Nano-Fit Receptacle Housing, TPA Capable, 2.50mm Pitch, Dual Row, 12 Circuits, Black, Glow-Wire Capable

系列号 : 105308

状态 : Active

Product Category : Connector Housings



文件和资源

图纸

[图纸 1053081212_sd.pdf](#)

[包装设计图 PK-105308-100-000.pdf](#)

3D 模型和设计文件

[3D模型 1053081212_stp.zip](#)

规格

[应用规格 AS-105300-100-001.pdf](#)

[产品规格 1053001000-PS-CH-000.pdf](#)

[产品规格 1053001000-PS-ES-000.pdf](#)

[产品规格 1053001000-PS-JP-000.pdf](#)

[产品规格 1053001000-PS-SK-000.pdf](#)

[产品规格 PS-105300-100-001.pdf](#)

[测试摘要 1053000000-TS-000.pdf](#)

[测试摘要 1053001000-TS-000.pdf](#)

产物环境合规

合规

GADSL/IMDS	Not Relevant
China RoHS	
EU ELV	Compliant per 2000/53/EC
Low-Halogen Status	Low-Halogen per IEC 61249-2-21
REACH SVHC	Not Contained per D(2023)3788-DC (14 Jun 2023)
EU RoHS	Compliant per EU 2015/863

多部分产品合规性声明

- Eu RoHS

- REACH SVHC

- Low-Halogen

多部分行业合规性文件

- IPC 1752A Class C

- IPC 1752A Class D

- Molex Product Compliance Declaration

- IEC-62474

- chemSHERPA (xml)

欧盟 RoHS 合格证书

产品详情

常规

状态	活动
类别	Connector Housings
系列	105308
说明	Nano-Fit Receptacle Housing, TPA Capable, 2.50mm Pitch, Dual Row, 12 Circuits, Black, Glow-Wire Capable
应用	Power, Wire-to-Board
个评论	Operating temperature is -40° to +105° for tin and -40° to +115° for gold
产品系列	Nano-Fit Power Connectors
产品名称	Nano-Fit
UPC	889056023757

机构

CSA	LR19980
UL	E29179

电气

每触点最大电流	6.5A
---------	------

物理

电路数 (最多)	12
颜色-树脂	黑色

阻燃性	94V-0
性别	Receptacle
符合灼热丝规范	是
插接极性	是
锁定插接部位	是
材料 - 树脂	Nylon
净重	1.050/g
行数	2
包装形式	Bag
面板安装式	否
间距 - 插配接口	2.50mm
间距 - 终端界面	2.50mm
有极性的插配件	是
运行温度范围	-40° to +105° C, -40° to +115° C

可配插/可连接使用的产品

可配插部件

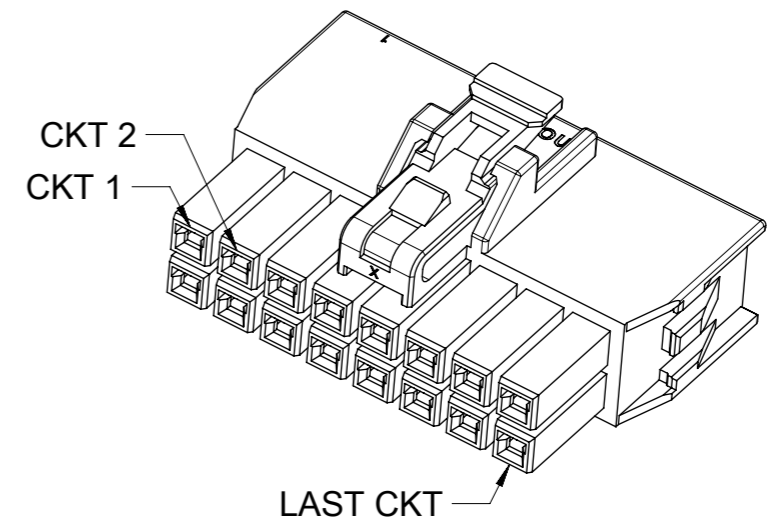
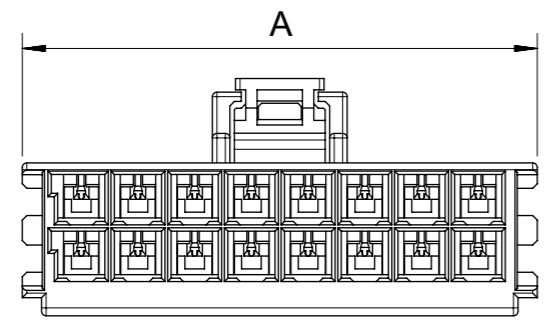
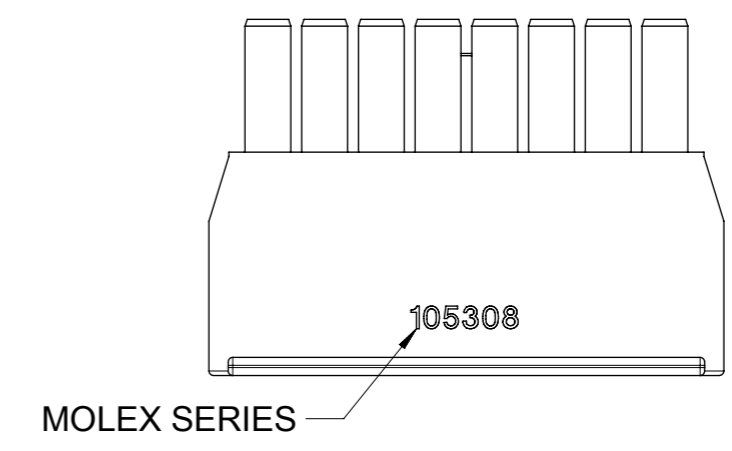
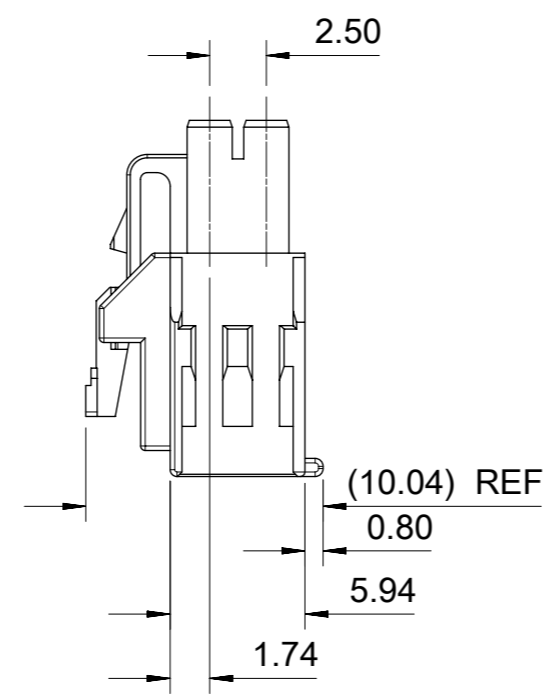
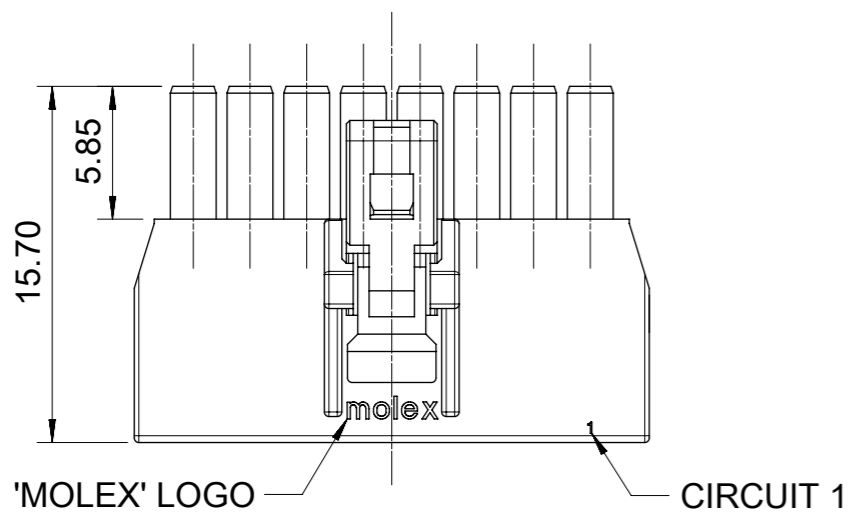
描述	产品编号
Nano-Fit Vertical Header, Through Hole, 2.50mm Pitch, Dual Row, 12 Circuits, with Kinked Pins, Tin (Sn) Plating, Black, Glow-Wire Capable, Tray	<u>1053101112</u>
Nano-Fit Vertical Header, Through Hole, 2.50mm Pitch, Dual Row, 12 Circuits, with Kinked Pins, 0.38µm Gold (Au) Plating, Black, Glow-Wire Capable, Tray	<u>1053101212</u>
Nano-Fit Vertical Header, Through Hole, 2.50mm Pitch, Dual Row, 12 Circuits, with Kinked Pins, 0.76µm Gold (Au) Plating, Black, Glow-Wire Capable, Tray	<u>1053101312</u>
Nano-Fit Vertical Header, Through Hole, 2.50mm Pitch, Dual Row, 12 Circuits, with Solder Clips, Tin (Sn) Plating, Black, Glow-Wire Capable, Tray	<u>1053121112</u>

Nano-Fit Vertical Header, Through Hole, 2.50mm Pitch, Dual Row, 12 Circuits, with Solder Clips, 0.38 μ m Gold (Au) Plating, Black, Glow-Wire Capable, Tray	<u>1053121212</u>
Nano-Fit Vertical Header, Through Hole, 2.50mm Pitch, Dual Row, 12 Circuits, with Solder Clips, 0.76 μ m Gold (Au) Plating, Black, Glow-Wire Capable, Tray	<u>1053121312</u>
Nano-Fit Right-Angle Header, Through Hole, 2.50mm Pitch, Dual Row, 12 Circuits, Tin (Sn) Plating, Black, Glow-Wire Capable, Tray	<u>1053141112</u>
Nano-Fit Right-Angle Header, Through Hole, 2.50mm Pitch, Dual Row, 12 Circuits, 0.38 μ m Gold (Au) Plating, Black, Glow-Wire Capable, Tray	<u>1053141212</u>
Nano-Fit Right-Angle Header, Through Hole, 2.50mm Pitch, Dual Row, 12 Circuits, 0.76 μ m Gold (Au) Plating, Black, Glow-Wire Capable, Tray	<u>1053141312</u>
Nano-Fit Vertical Header, Surface Mount, 2.50mm Pitch, Dual Row, 12 Circuits, 0.76 μ m Tin (Sn) Plating, Black, Glow-Wire Capable	<u>1054291112</u>
Nano-Fit Vertical Header, Surface Mount, 2.50mm Pitch, Dual Row, 12 Circuits, 0.38 μ m Gold (Au) Plating, Black, Glow-Wire Capable	<u>1054291212</u>
Nano-Fit Vertical Header, Surface Mount, 2.50mm Pitch, Dual Row, 12 Circuits, 0.76 μ m Gold (Au) Plating, Black, Glow-Wire Capable	<u>1054291312</u>
Nano-Fit Vertical Header, Surface Mount, 2.50mm Pitch, Dual Row, 12 Circuits, 0.76 μ m Gold (Au) Plating, Lubricated, Black, Glow-Wire Capable	<u>1054291412</u>
Nano-Fit Right-Angle Header, Surface Mount, 2.50mm Pitch, Dual Row, 12 Circuits, 0.76 μ m Tin (Sn) Plating, Black, Glow-Wire Capable	<u>1054051112</u>
Nano-Fit Right-Angle Header, Surface Mount, 2.50mm Pitch, Dual Row, 12 Circuits, 0.38 μ m Gold (Au) Plating, Black, Glow-Wire Capable	<u>1054051212</u>

Nano-Fit Right-Angle Header, Surface Mount, 2.50mm Pitch, Dual Row, 12 Circuits, 0.76µm Gold (Au) Plating, Black, Glow-Wire Capable	<u>1054051312</u>
Nano-Fit Plug Housing, TPA Capable, 2.50mm Pitch, Dual Row, 12 Circuits, Black, Glow-Wire Capable	<u>2014441112</u>
Nano-Fit Plug Housing, TPA Capable, 2.50mm Pitch, Dual Row, 12 Circuits, Black, Panel Mount, Glow-Wire Capable	<u>2014441212</u>

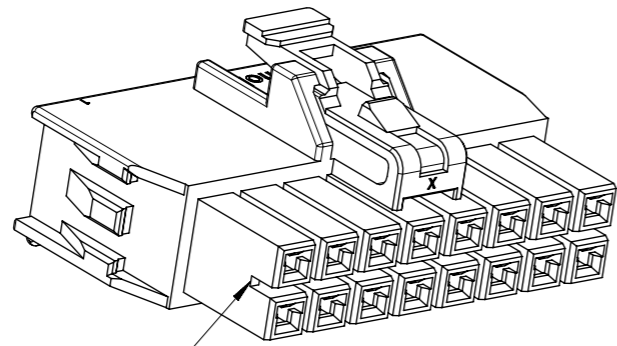
可连接使用部件

描述	产品编号
Pre-Crimped Lead Nano-Fit Female-to-Nano-Fit Female, Gold (Au) Plating, 150.00mm Length, 20 AWG, Black	<u>/content/molex/molex-dot-com/cn/zh/products/product-page.html/797582129.html</u>
Pre-Crimped Lead Nano-Fit Female-to-Nano-Fit Female, Gold (Au) Plating, 300.00mm Length, 20 AWG, Black	<u>/content/molex/molex-dot-com/cn/zh/products/product-page.html/797582130.html</u>
Pre-Crimped Lead Nano-Fit Female-to-Nano-Fit Female, Matte Tin (Sn) Plating, 150.00mm Length, 20 AWG, Black	<u>/content/molex/molex-dot-com/cn/zh/products/product-page.html/797582139.html</u>
Pre-Crimped Lead Nano-Fit Female-to-Nano-Fit Female, Matte Tin (Sn) Plating, 300.00mm Length, 20 AWG, Black	<u>/content/molex/molex-dot-com/cn/zh/products/product-page.html/797582140.html</u>
Nano-Fit Female Crimp Terminals	<u>105300</u>
Nano-Fit Terminal Position Assurance (TPA) Retainers	<u>105325</u>

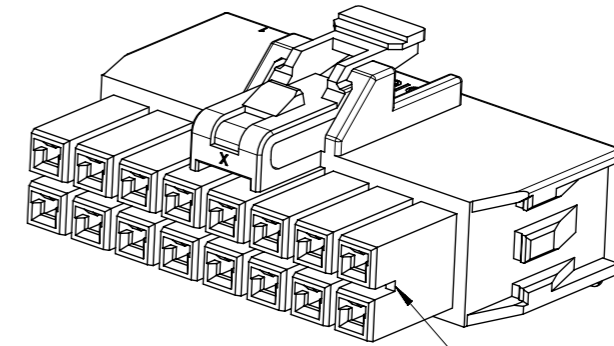


- NOTES:
- MATERIAL:
 OPTION 1: PA4T, 30% GLASS FILLED, 94V-0, BLACK
 OPTION 2: PA4T, 30 GLASS FILLED, 94V-0, NATUAL.
 - PRODUCT SPECIFICATION: PS-105300-100.
 - PACKAGE SPECIFICATION: PK-105308-100.
 - THE COMPONENT COMPLIANT TO RoHS DIRECTIVE 2011/65/EU AND ELV DIRECTIVE 2000/53/EC.
 - TO MATE WITH TERMINAL OF 105310-****.
 TO MATE WITH TPA OF 105325-****.
 TO MATE WITH HEADER OF 105310-****, 105312-**** AND 105314-****.
 - PARTS CONFORM TO CLASS 'B' REQUIREMENTS OF COSMETIC SPECIFICATION PS-45499-002.
 - APPLICATION SPECIFICATION: AS-105300-100.

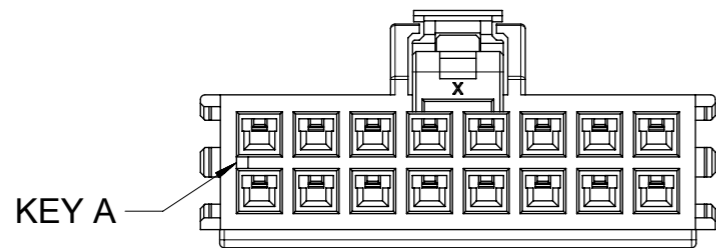
THIS DRAWING CONTAINS INFORMATION THAT IS PROPRIETARY TO MOLEX ELECTRONIC TECHNOLOGIES, LLC AND SHOULD NOT BE USED WITHOUT WRITTEN PERMISSION												
QUALITY SYMBOLS	EC NO: 664659 DRWN: GLLI CHK'D: YXZHENG APPR: YXZHENG	GENERAL TOLERANCES (UNLESS SPECIFIED)		DIMENSION UNITS	SCALE							
		ANGULAR TOL ± 3.0 °		mm	3:1							
▽A = 0	E1 REV	4 PLACES ±	DRWN BY GLLI		DATE 2014/08/13		RECEPTACLE OF NANO-FIT, D/R, TPA POWER CONNECTOR					
▽E = 0		3 PLACES ±	CHK'D BY		DATE							
▽B = 0		2 PLACES ± 0.2	APPR BY AYIN		DATE 2015/04/08		PRODUCT CUSTOMER DRAWING					
▼ = 0		1 PLACE ± 0.3	DRAWING SIZE		THIRD ANGLE PROJECTION		SERIES	MATERIAL NUMBER	CUSTOMER			
▽C = 0		0 PLACES ±	A3				105308	SEE SHEET 4	GENERAL MARKET			
⊗ = 0		DRAFT WHERE APPLICABLE MUST REMAIN WITHIN DIMENSIONS						DOCUMENT NUMBER		DOC TYPE	DOC PART	SHEET NUMBER
■ = 0								SD-105308-100		PSD	000	1 OF 4
▽ = 0												



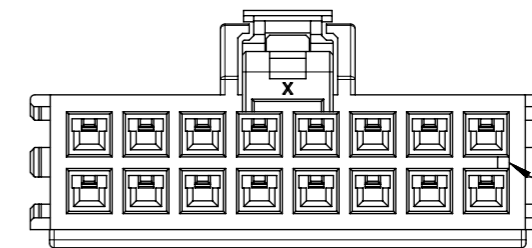
KEY A



KEY B



KEY A



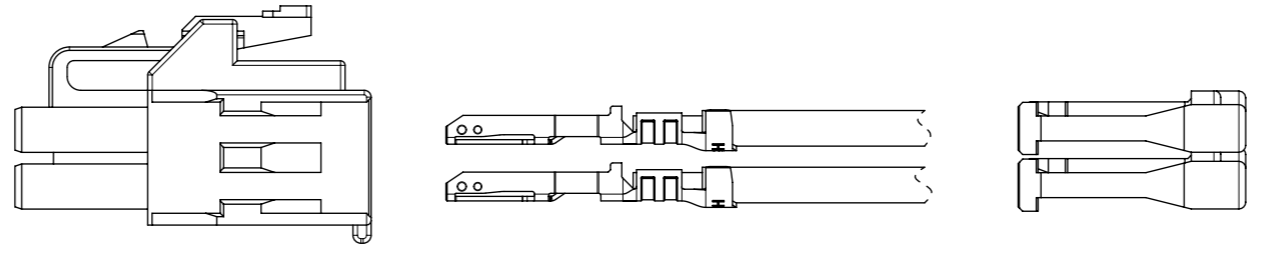
KEY B

BLACK

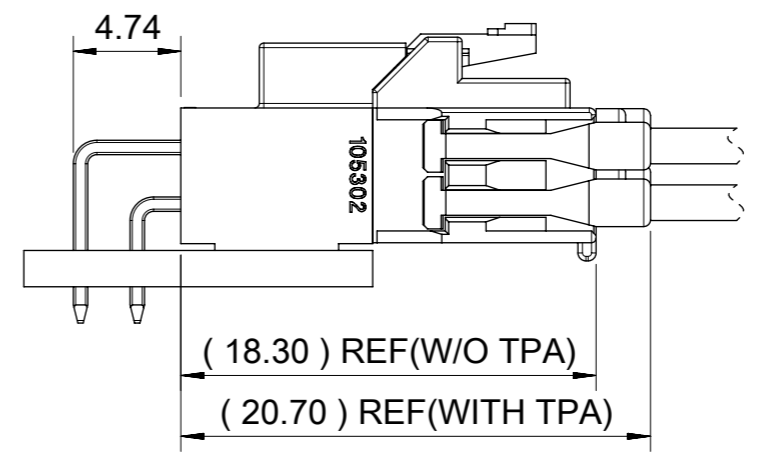
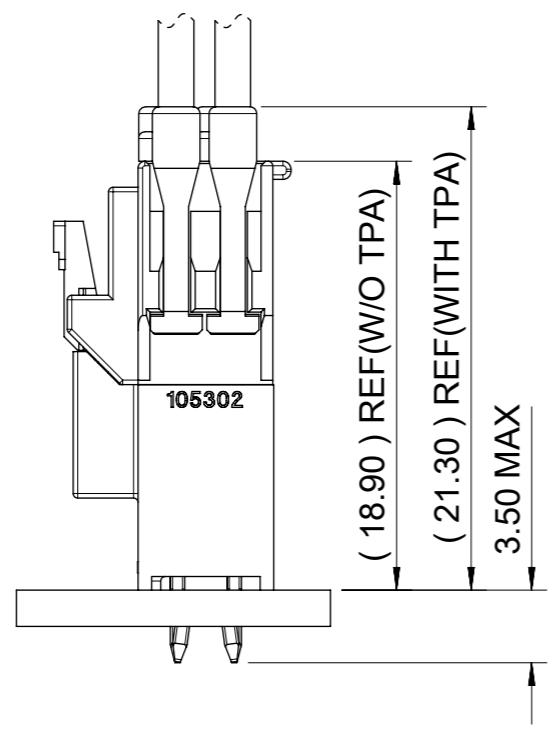
NATURAL

COLOR OPTION

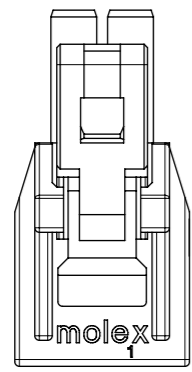
QUALITY SYMBOLS 	THIS DRAWING CONTAINS INFORMATION THAT IS PROPRIETARY TO MOLEX ELECTRONIC TECHNOLOGIES, LLC AND SHOULD NOT BE USED WITHOUT WRITTEN PERMISSION											
	EC NO: 664659 DRWN: GLLI CHK'D: YXZHENG APPR: YXZHENG	2021/05/20	2021/05/21	GENERAL TOLERANCES (UNLESS SPECIFIED)		DIMENSION UNITS	SCALE					
				ANGULAR TOL ± 3.0 °		mm	3:1					
				4 PLACES ±	DRWN BY		DATE		RECEPTACLE OF NANO-FIT, D/R, TPA POWER CONNECTOR			
				3 PLACES ±	GLLI		2014/08/13					
				2 PLACES ± 0.2	CHK'D BY		DATE					
			1 PLACE ± 0.3	APPR BY		DATE		PRODUCT CUSTOMER DRAWING				
			0 PLACES ±	AYIN		2015/04/08		SERIES	MATERIAL NUMBER	CUSTOMER		
			DRAFT WHERE APPLICABLE MUST REMAIN WITHIN DIMENSIONS	A3		THIRD ANGLE PROJECTION		105308	SEE SHEET 4	GENERAL MARKET		
				E1				DOCUMENT NUMBER		DOC TYPE	DOC PART	SHEET NUMBER
							SD-105308-100		PSD	000	2 OF 4	



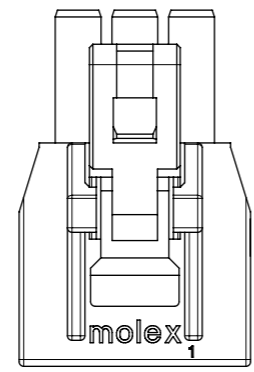
TERMINAL AND TPA ORIENTATION



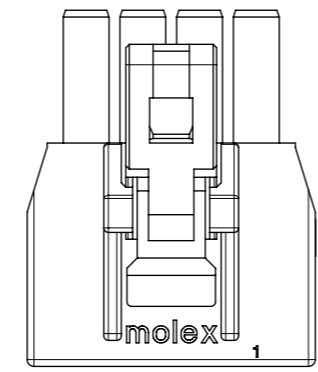
THIS DRAWING CONTAINS INFORMATION THAT IS PROPRIETARY TO MOLEX ELECTRONIC TECHNOLOGIES, LLC AND SHOULD NOT BE USED WITHOUT WRITTEN PERMISSION											
QUALITY SYMBOLS ▽ _A = 0 ▽ _E = 0 ▽ _F = 0 ▼ = 0 ▽ _C = 0 ⊗ = 0 ■ = 0 ▽ = 0	EC NO:	664659	GENERAL TOLERANCES (UNLESS SPECIFIED)		DIMENSION UNITS	SCALE					
	DRWN:	GLLI	ANGULAR TOL ± 3.0 °		mm	3:1					
	CHK'D:	YXZHENG	4 PLACES	±	DRWN BY	DATE	RECEPTACLE OF NANO-FIT, D/R, TPA POWER CONNECTOR				
	APPR:	YXZHENG	3 PLACES	±	GLLI	2014/08/13					
	DRAFT WHERE APPLICABLE MUST REMAIN WITHIN DIMENSIONS			2 PLACES	± 0.2	CHK'D BY	DATE	PRODUCT CUSTOMER DRAWING			
				1 PLACE	± 0.3	AYIN	2015/04/08				
				0 PLACES	±	APPR BY	DATE	SERIES	MATERIAL NUMBER	CUSTOMER	
				DRAFT WHERE APPLICABLE MUST REMAIN WITHIN DIMENSIONS		DRAWING SIZE	THIRD ANGLE PROJECTION	105308	SEE SHEET 4	GENERAL MARKET	
						A3		DOCUMENT NUMBER	DOC TYPE	DOC PART	SHEET NUMBER
								SD-105308-100	PSD	000	3 OF 4



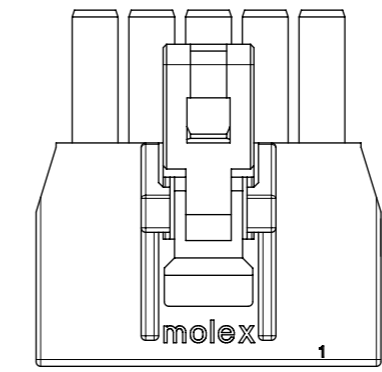
4 CKT



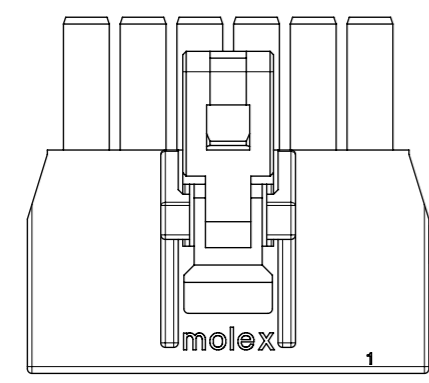
6 CKT



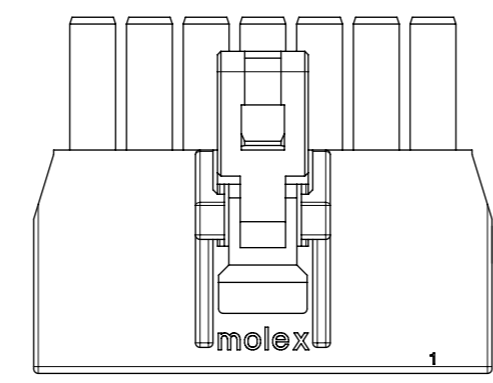
8 CKT



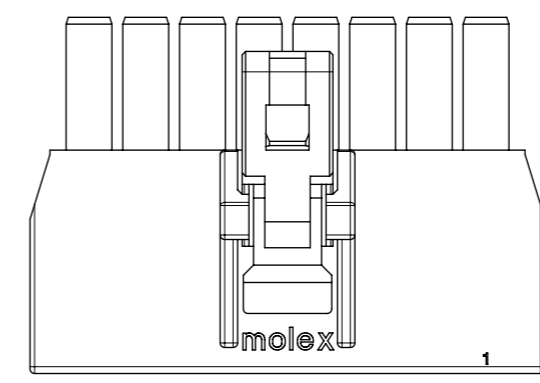
10 CKT



12 CKT



14 CKT



16 CKT

WITH TPA FEATURE			
PART No	DIM 'A'	CKT SIZE	COLOR
105308-1204	7.7	4	BLACK (KEY A)
105308-1206	10.2	6	
105308-1208	12.7	8	
105308-1210	15.2	10	
105308-1212	17.7	12	
105308-1214	20.2	14	
105308-2204	7.7	4	NATURAL (KEY B)
105308-2206	10.2	6	
105308-2208	12.7	8	
105308-2210	15.2	10	
105308-2212	17.7	12	
105308-2214	20.2	14	
105308-2216	22.7	16	

105308- * * * *

CIRCUIT SIZE

TPA OPTION: 1 - STANDARD
2 - WITH TPA

COLOR OPTION: 1 - BLACK
2 - NATURAL

THIS DRAWING CONTAINS INFORMATION THAT IS PROPRIETARY TO MOLEX ELECTRONIC TECHNOLOGIES, LLC AND SHOULD NOT BE USED WITHOUT WRITTEN PERMISSION									
QUALITY SYMBOLS ▽A = 0 ▽E = 0 ▽F = 0 ▼ = 0 ▽C = 0 ⊗ = 0 ■ = 0 ▽ = 0	EC NO: 664659 DRWN: GLLI CHK'D: YXZHENG APPR: YXZHENG	GENERAL TOLERANCES (UNLESS SPECIFIED) ANGULAR TOL ± 3.0 °		DIMENSION UNITS mm	SCALE 3:1				
		4 PLACES ± 3 PLACES ± 2 PLACES ± 0.2 1 PLACE ± 0.3 0 PLACES ±	DRWN BY GLLI		DATE 2014/08/13				
DRAFT WHERE APPLICABLE MUST REMAIN WITHIN DIMENSIONS		APPR BY AYIN		DATE 2015/04/08	PRODUCT CUSTOMER DRAWING				
E1		DRAWING SIZE A3	THIRD ANGLE PROJECTION 		SERIES 105308	MATERIAL NUMBER SEE CHART	CUSTOMER GENERAL MARKET		
RELEASE STATUS P1 RELEASE DATE 2021/05/21 12:48:12					DOCUMENT NUMBER SD-105308-100		DOC TYPE PSD	DOC PART 000	SHEET NUMBER 4 OF 4