



产品编号 : 1501811016

Product Description : Standard .062"+  
Female Terminal, 16-18 AWG, Tin (Sn)  
Plated, Reel

系列号 : 150181

状态 : Active

Product Category : Crimp Terminals



## 文件和资源

### 图纸

图纸 [1501811016\\_sd.pdf](#)

包装设计图 [PK-150180-001-000.pdf](#)

### 规格

应用规格 [1501760001-AS-000.pdf](#)

产品规格 [1501760001-PS-000.pdf](#)

测试摘要 [1501760001-TS-000.pdf](#)

## 产物环境合规

### 合规

GADSL/IMDS	Not Relevant
China RoHS	
EU ELV	Not Relevant
Low-Halogen Status	Low-Halogen per IEC 61249-2-21
REACH SVHC	Not Contained per D(2023)3788-DC (14 Jun 2023)
EU RoHS	Compliant per EU 2015/863

### 多部分产品合规性声明

- Eu RoHS
- REACH SVHC
- Low-Halogen

### 多部分行业合规性文件

- IPC 1752A Class C
- IPC 1752A Class D
- Molex Product Compliance Declaration

- IEC-62474

- chemSHERPA (xml)

欧盟 RoHS 合格证书

## 产品详情

### 常规

状态	活动
类别	Crimp Terminals
系列	150181
说明	Standard .062"+ Female Terminal, 16-18 AWG, Tin (Sn) Plated, Reel
应用	Power, Wire-to-Wire
产品系列	Standard .062"+ and Standard .062" Pin and Socket Connector Systems
产品名称	Standard .062"+
UPC	889056491112

### 电气

每触点最大电流	11.5A
电压 - 最大	400V

### 物理

耐用性(插拔次数) - 最多次数	25
性别	女
材料 - 金属	Brass
材料 - 接合部位电镀	Tin
材料 - 终端电镀	Tin
净重	0.145/g
包装形式	Reel
最薄镀层 - 接合部位	0.508µm
最薄镀层 - 端接	0.508µm
终端界面类型	Crimp or Compression
导线绝缘直径	1.70-2.10mm
线径规格 (AWG)	16, 18
线缆尺寸mm <sup>2</sup>	不适用

---

## 可连接使用部件

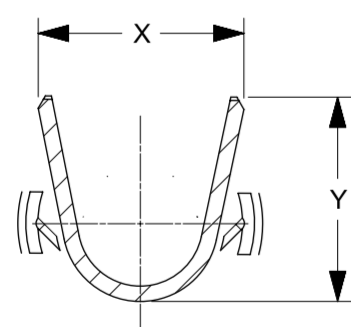
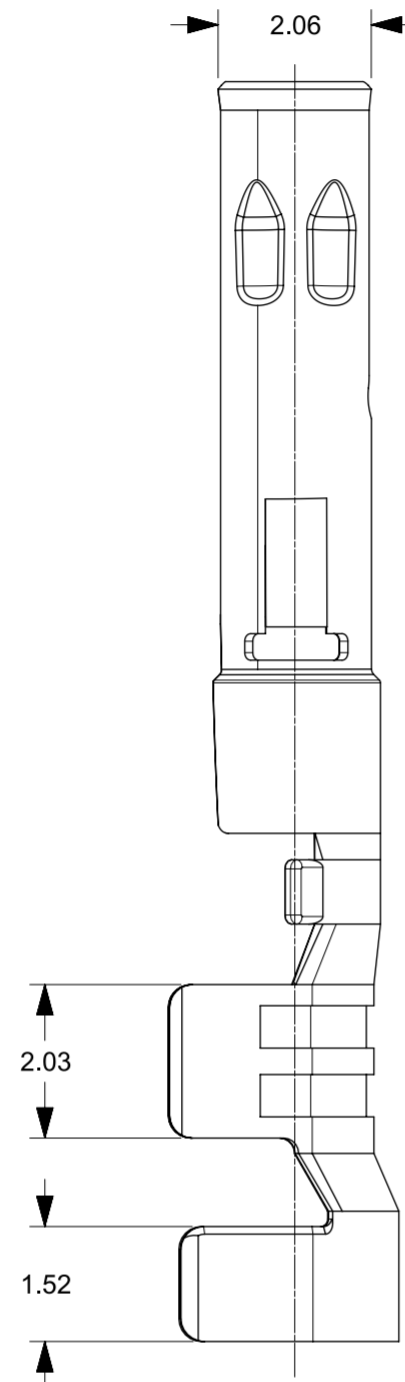
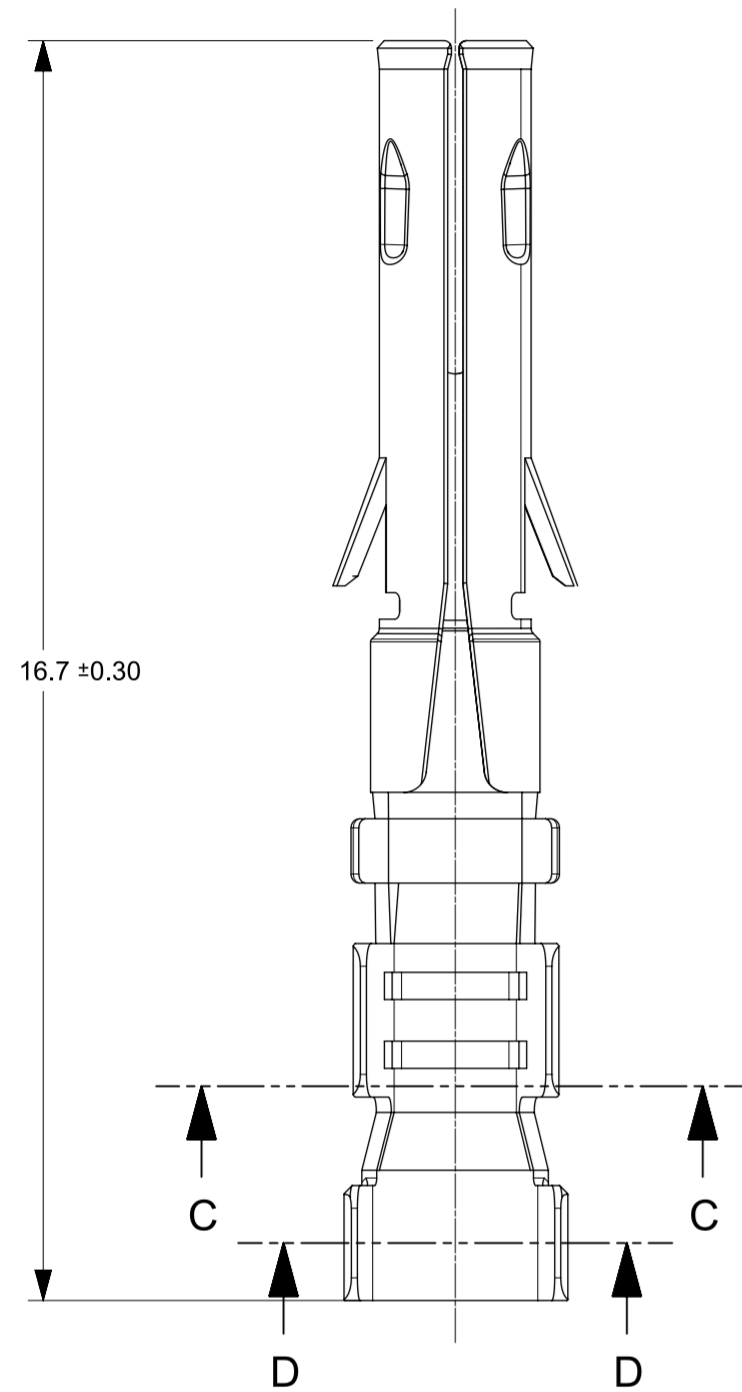
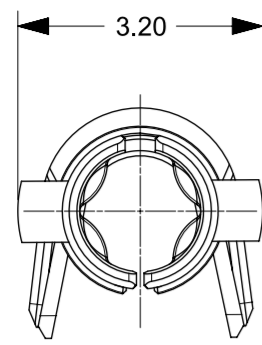
描述	产品编号
Standard .062"+ Single Row Receptacle Housings	<u>150178</u>
Standard .062"+ Dual Row Receptacle Housings	<u>150179</u>

---

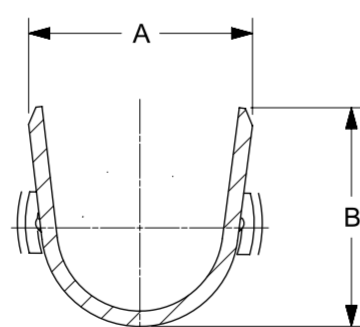
## 施工工具

### 全局

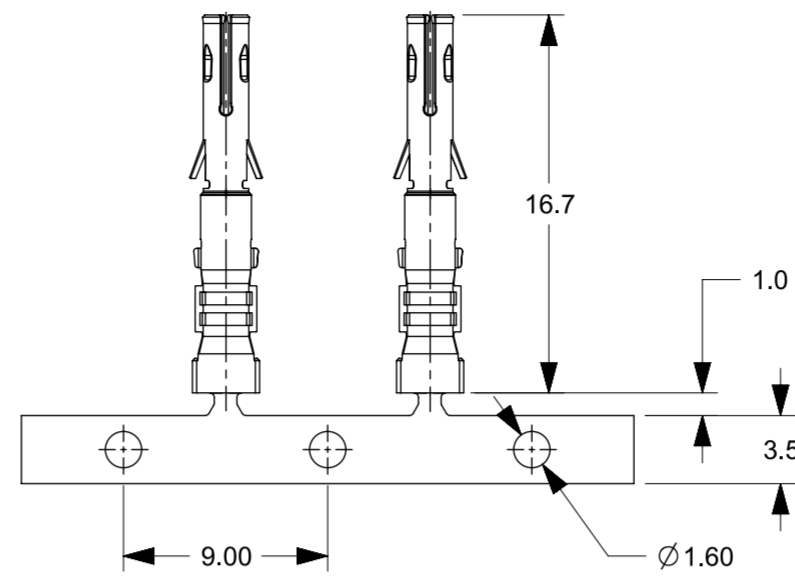
描述	产品编号
Extraction Tool for Standard .062" and Standard .062"+ Pin and Socket Terminals	<u>0011030002</u>
Hand Crimp Tool for EconoLatch Male and Female Terminals, 16-18 AWG UL1061 and 18 AWG UL1007 wires	<u>0638280600</u>
FineAdjust Applicator for EconoLatch Crimp Terminals, 16-18 AWG	<u>0639036100</u>
FineAdjust Applicator for EconoLatch Crimp Terminals, 18 AWG	<u>0639036200</u>



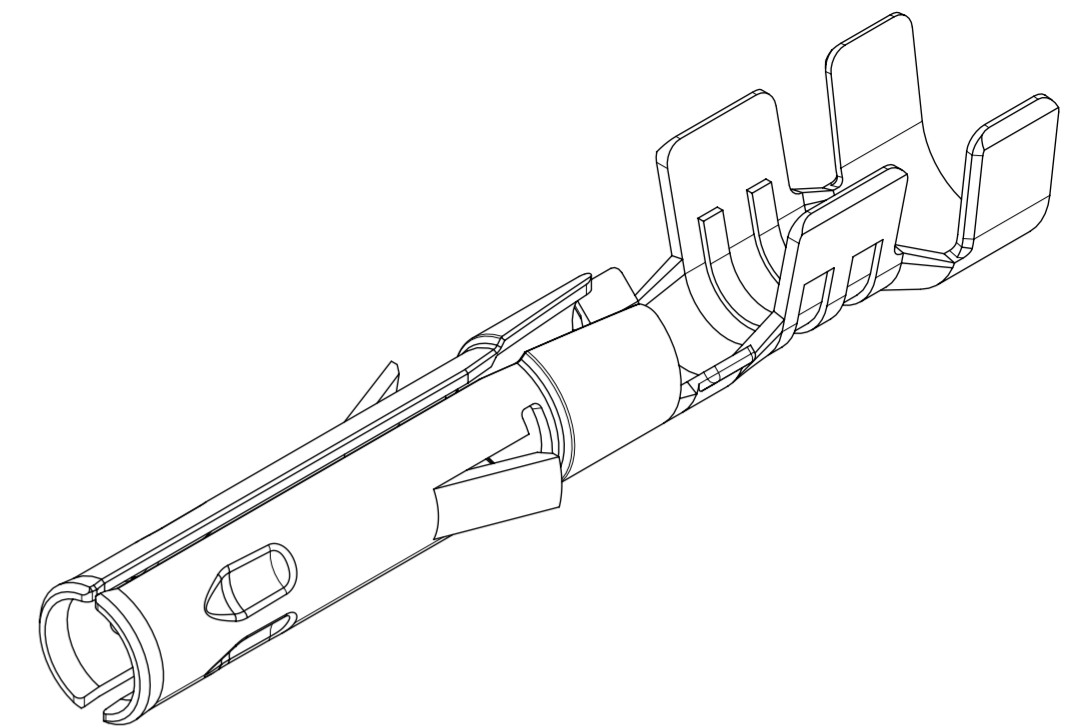
SECTION C-C



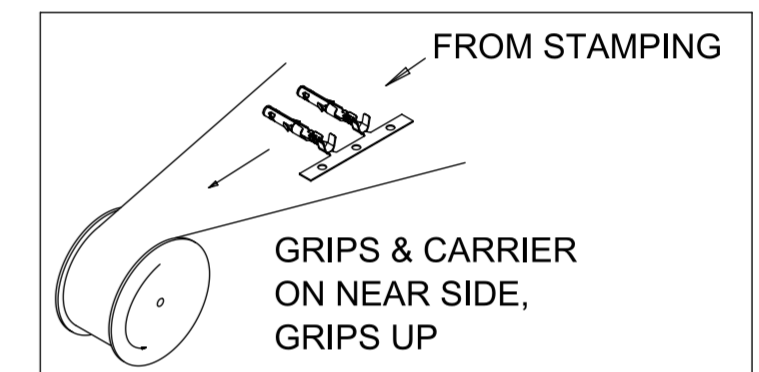
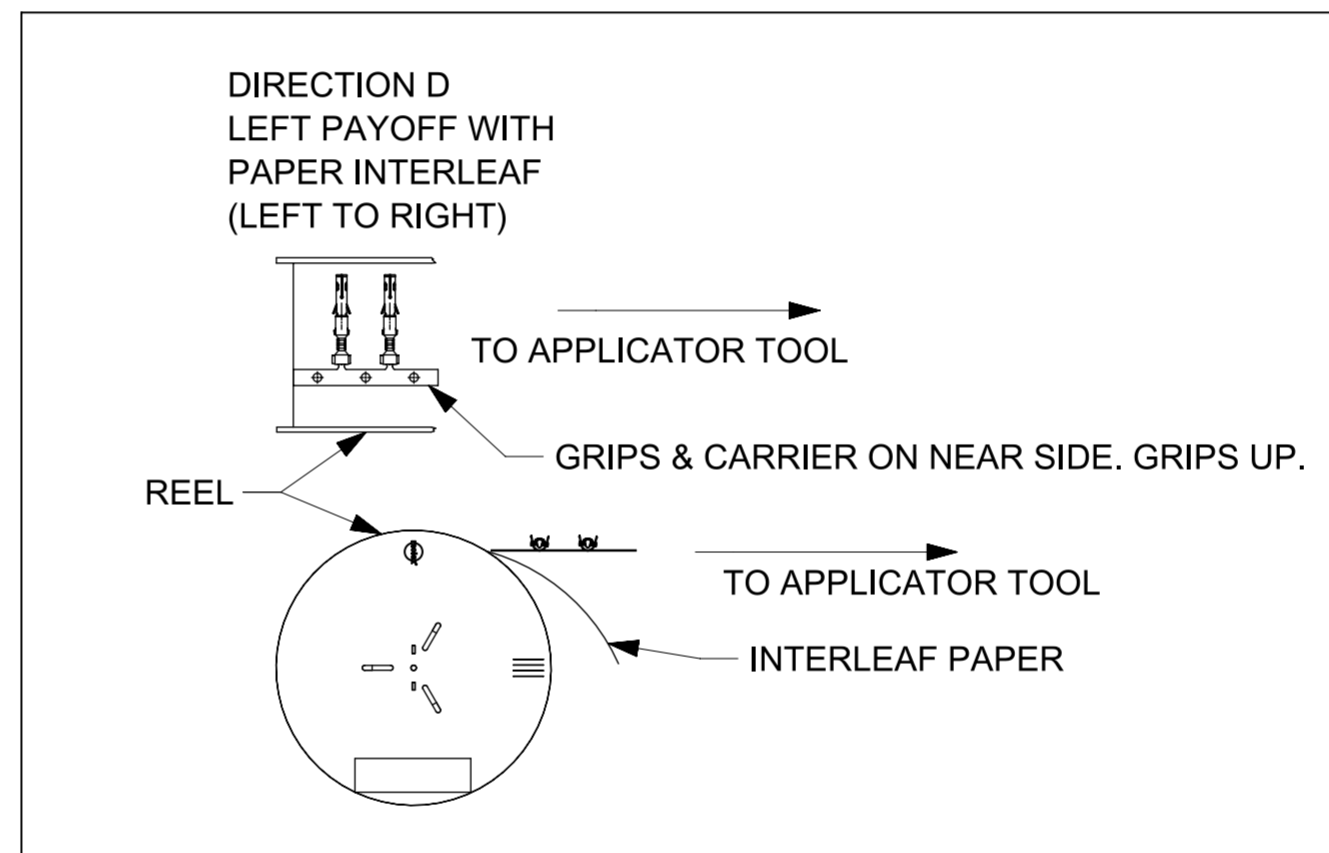
SECTION D-D



STRIP LAYOUT



REELING DIRECTIONS



SI. NO	PART NUMBER	WIRE RANGE	WIRE STYLE	DIM A	DIM B	DIM X	DIM Y
1	1501811016	16-18 AWG	16 AWG, UL1061	2.96	2.90	2.72	2.71
			18 AWG, UL1007	2.96	2.90	2.72	2.71
			18 AWG, UL1061	2.96	2.90	2.72	2.71
2	1501811020	20-22 AWG	20 AWG, UL1007	2.58	2.40	2.44	2.03
			20 AWG, UL1061	2.58	2.40	2.44	2.03
			22 AWG, UL1007	2.58	2.40	2.44	2.03
			22 AWG, UL1061	2.58	2.40	2.44	2.03

- NOTES:
1. MATERIAL: CARTRIDGE BRASS ALLOY.
  2. FINISH: PREPLATED OVERALL TIN ONLY- BRIGHT FINISH AND MIN THICKNESS 1.5µm.
  3. PRODUCT SPECIFICATION: 1501760001-PS.
  4. PACKAGING SPEC. REFER PK-150180-001.
  5. THIS PART CONFORMS TO CLASS B REQUIREMENTS OF COSMETIC SPEC PS-45499-002.
  6. TERMINAL TO BE USED WITH SERIES 150178 AND 150179.
  7. TERMINAL MATES WITH THE SERIES 150180.

FUNCTIONAL SYMBOLS	THIS DRAWING CONTAINS INFORMATION THAT IS PROPRIETARY TO MOLEX ELECTRONIC TECHNOLOGIES, LLC AND SHOULD NOT BE USED WITHOUT WRITTEN PERMISSION	CURRENT REV DESC: DESCRIPTION UPDATED	
	$\frac{F}{A} = 0$ $\frac{F}{C} = 0$ $\frac{F}{P} = 0$	DIMENSION UNITS: 10:1 SCALE: 10:1 GENERAL TOLERANCES (UNLESS SPECIFIED) ANGULAR TOL ± 0.5° 4 PLACES ± 3 PLACES ± 2 PLACES ± 0.25 1 PLACE ± 0.35 0 PLACES ±	EC NO: 647195 DRWN: PRADEA CHK'D: NCSR APPR: NCSR INITIAL REVISION: DRWN: SS06 APPR: KPRASAD
DIVISIONAL SYMBOLS	THIRD ANGLE PROJECTION		
DRAFT WHERE APPLICABLE MUST REMAIN WITHIN DIMENSIONS		DRAWING: A2-SIZE	SERIES: 150181
DOCUMENT STATUS: P1	RELEASE DATE: 2020/10/19 14:19:14	MATERIAL NUMBER: SEE CHART	CUSTOMER: GENERAL MARKET
SD-150181-0001		DOC TYPE: PSD	DOC PART: 000
SD-150181-0001		REVISION: B1	SHEET NUMBER: 1 OF 1

**molex**

STANDARD .062"+  
FEMALE CRIMP TERMINAL

PRODUCT CUSTOMER DRAWING