



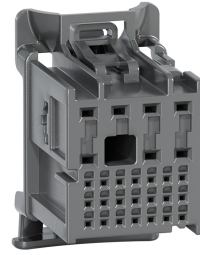
产品编号 : [1600140011](#)

Product Description : stAK50h Hybrid Receptacle, 28 Circuits, Key 1, Dark Gray, Bag

系列号 : 160014

状态 : Active

Product Category : Connector Housings



文件和资源

图纸

[图纸 1600140011_sd.pdf](#)

3D 模型和设计文件

[3D模型 1600140011_stp.zip](#)

规格


[应用规格 AS-160014-001-001.pdf](#)

[应用规格 1600140001-AS-CH-000.pdf](#)

[测试摘要 1600140000-TS-000.pdf](#)

产物环境合规

合规

GADSL/IMDS	Compliant
China RoHS	
EU ELV	Compliant per 2000/53/EC
Low-Halogen Status	Low-Halogen per IEC 61249-2-21
REACH SVHC	Not Contained per D(2023)3788-DC (14 Jun 2023)
EU RoHS	Compliant per EU 2015/863

多部分产品合规性声明

- Eu RoHS
- REACH SVHC
- Low-Halogen

多部分行业合规性文件

- IPC 1752A Class C

- IPC 1752A Class D
- Molex Product Compliance Declaration
- IEC-62474
- chemSHERPA (xml)

欧盟 RoHS 合格证书

产品详情

常规

状态	活动
类别	Connector Housings
系列	160014
说明	stAK50h Hybrid Receptacle, 28 Circuits, Key 1, Dark Gray, Bag
应用	Automotive, Power, Signal, Wire-to-Board
产品系列	stAK50h Connection System
产品名称	stAK50h
UPC	193264067145

物理

电路数（最多）	28
颜色-树脂	Gray (Dark)
性别	Receptacle
符合灼热丝规范	否
插接极性	是
锁定插接部位	是
材料 - 树脂	SPS
净重	4.919/g
行数	5
包装形式	Bag
面板安装式	否
间距 - 插配接口	2.00mm, 4.00mm
间距 - 终端界面	2.00mm, 4.00mm
有极性的插配件	是
端口	1
可堆叠的	否

运行温度范围	-40° to +105° C LV-214, -40° to +85° C GMW3191 June2012
--------	---

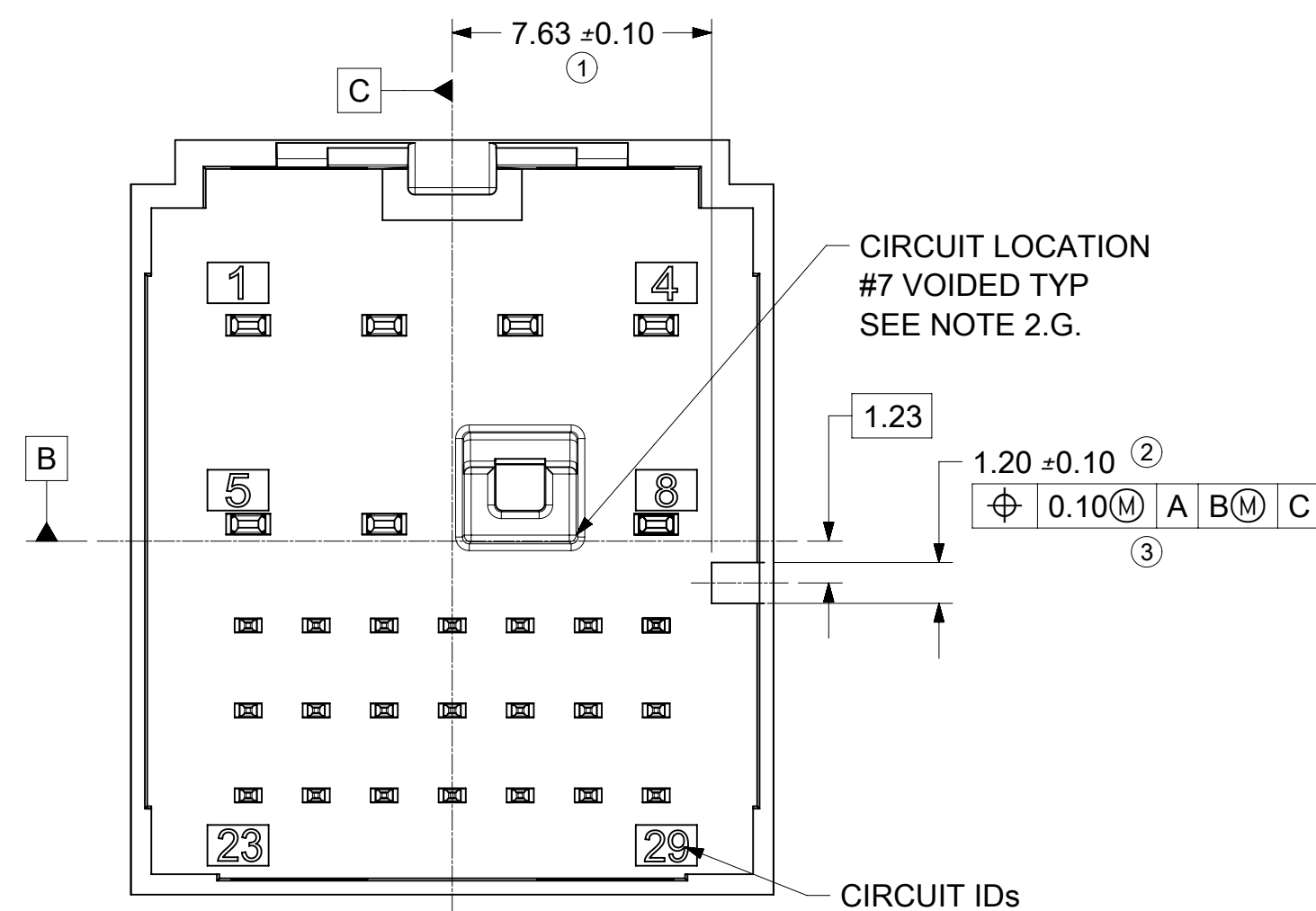
可配插/可连接使用的产品

可配插部件

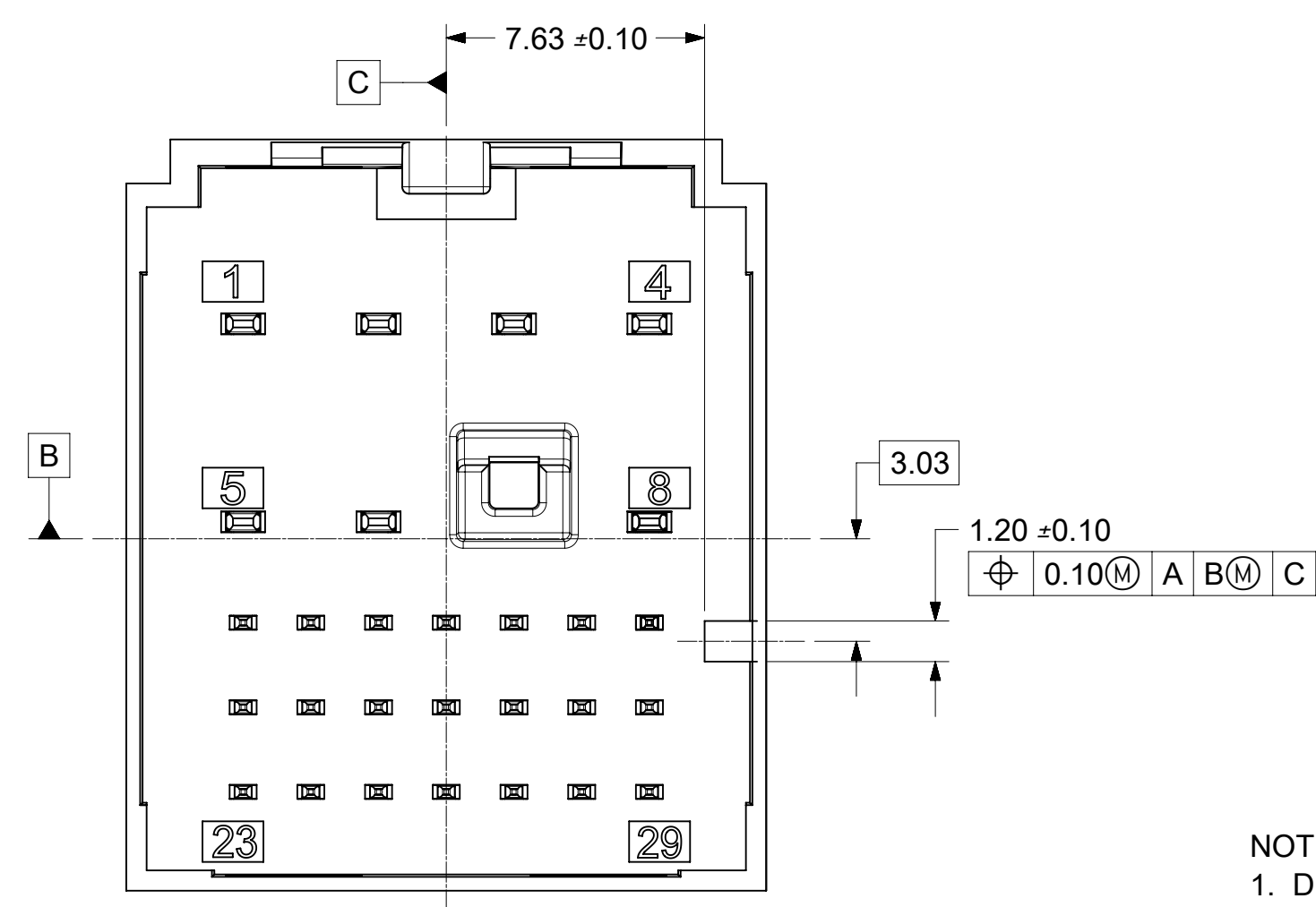
描述	产品编号
stAK50h Single Bay Infotainment Hybrid Header, 28 Circuits, Key 1, 2.50mm PC Tail Length, Gray, Tube	<u>1600136601</u>

可连接使用部件

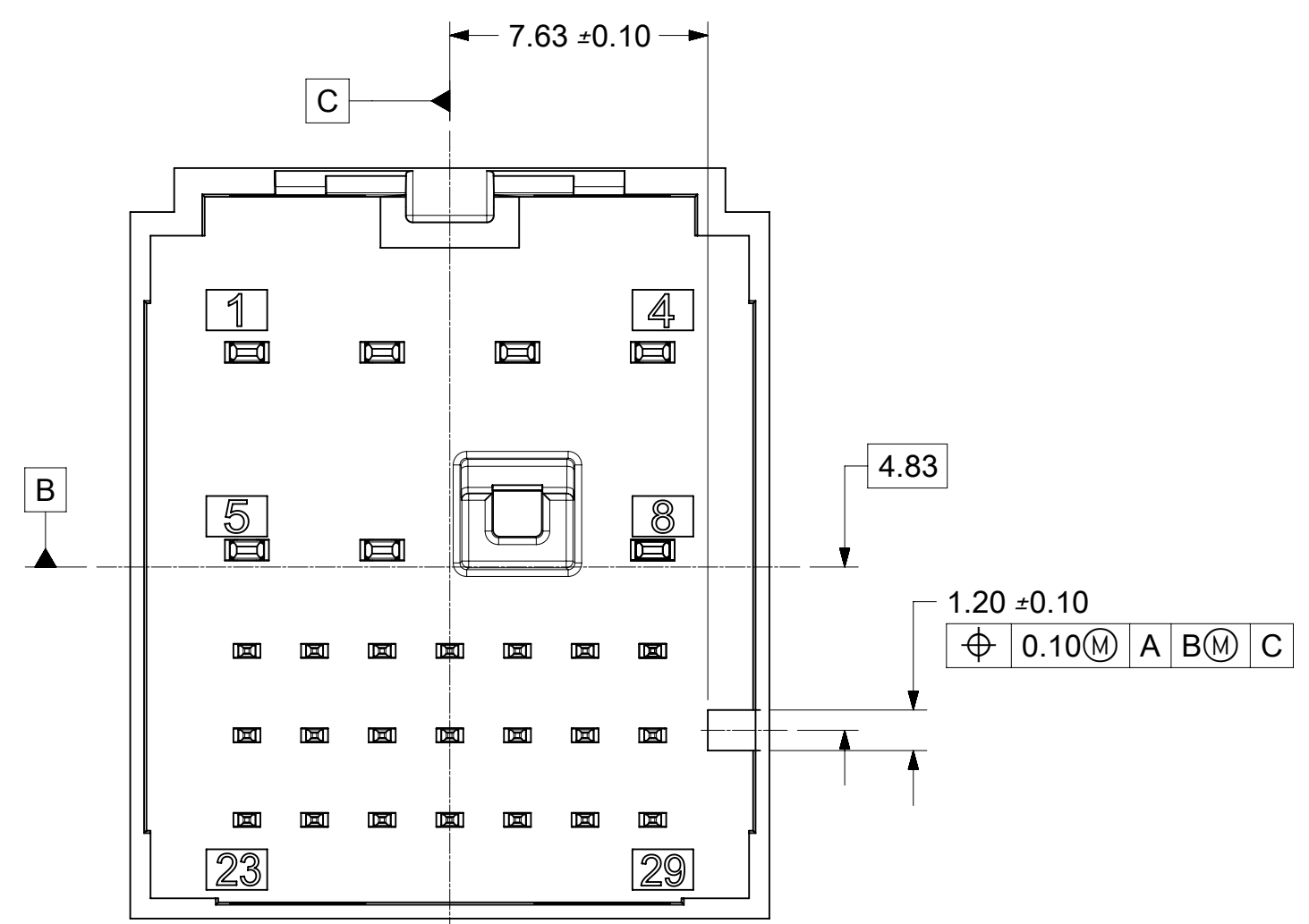
描述	产品编号
TAK50 Unsealed Receptacle Terminals	<u>200096</u>
可装的端子等部件	Aptiv OCS 1.20mm Terminal
可装的端子等部件	JST MSA 1.20mm Terminal



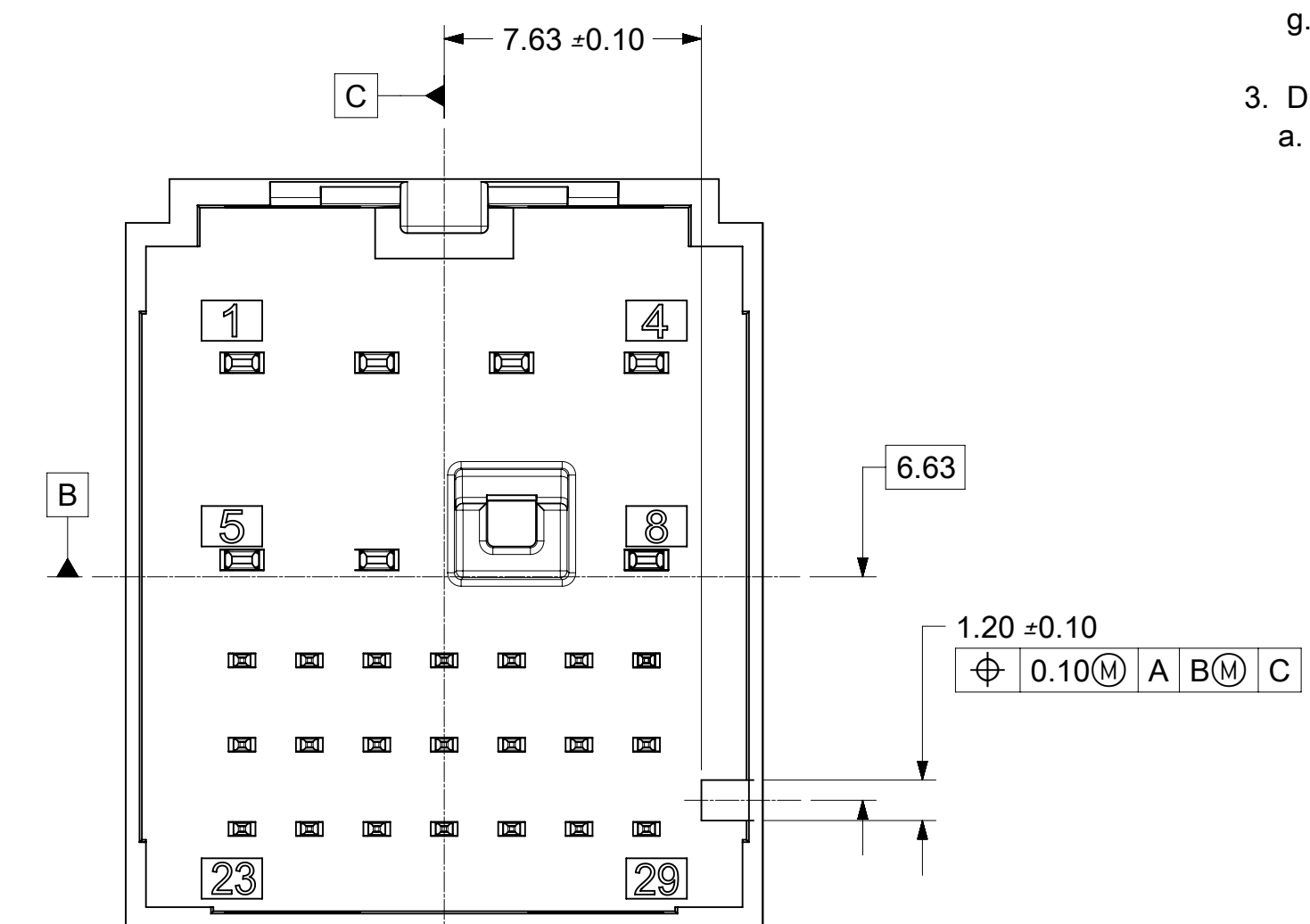
INTERFACE KEY #1
MATING CONNECTOR COLOR; DARK GRAY



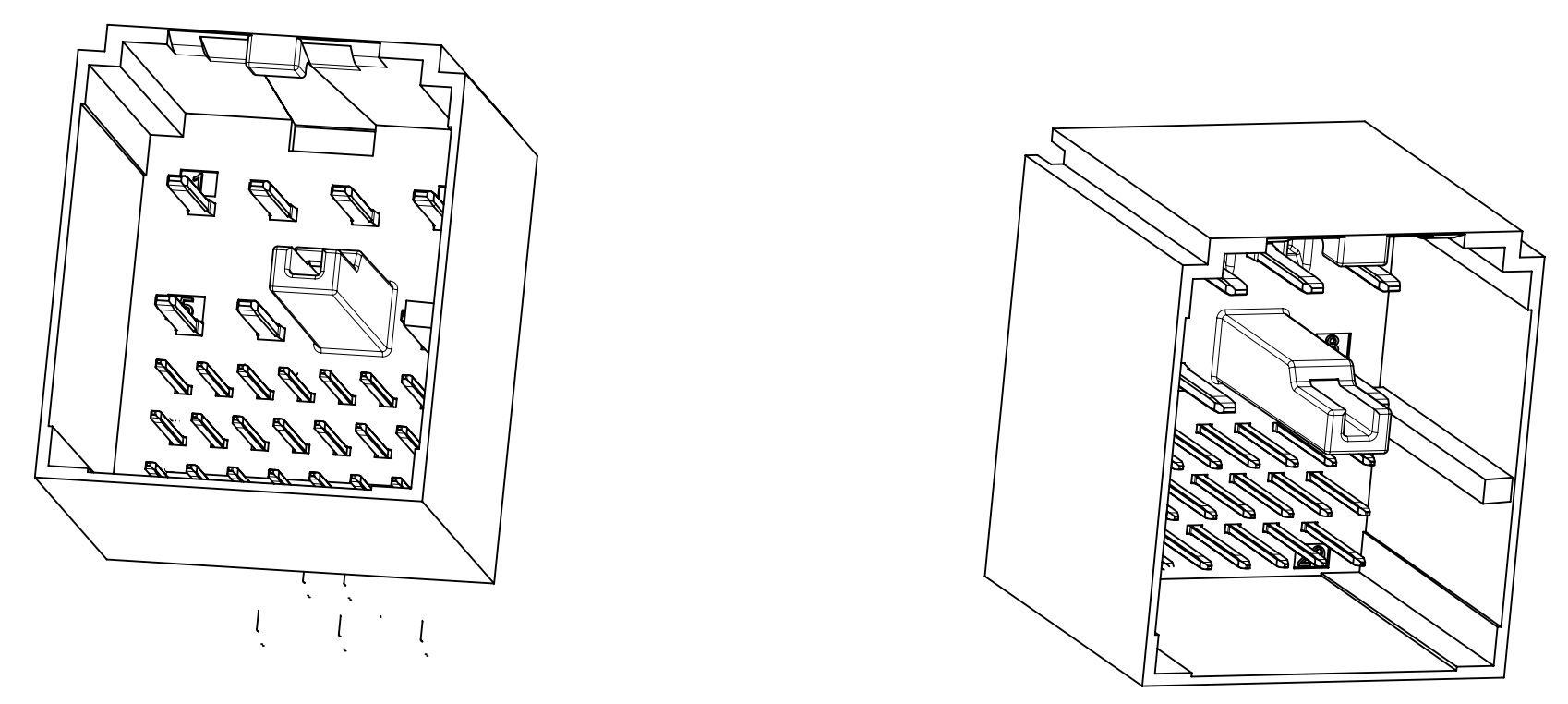
INTERFACE KEY #2
MATING CONNECTOR COLOR; LT GREEN A



INTERFACE KEY #3
MATING CONNECTOR COLOR; LIGHT GRAY



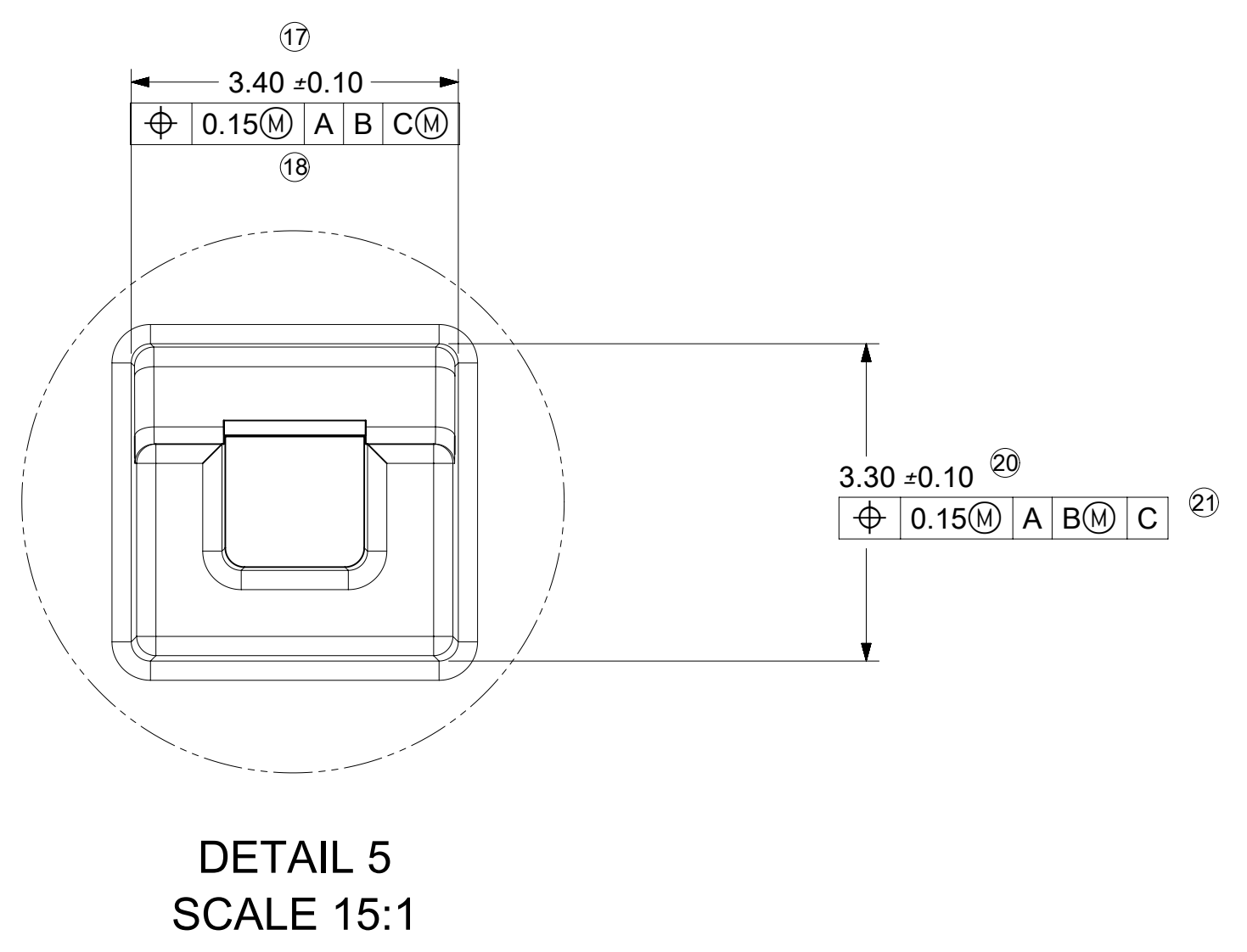
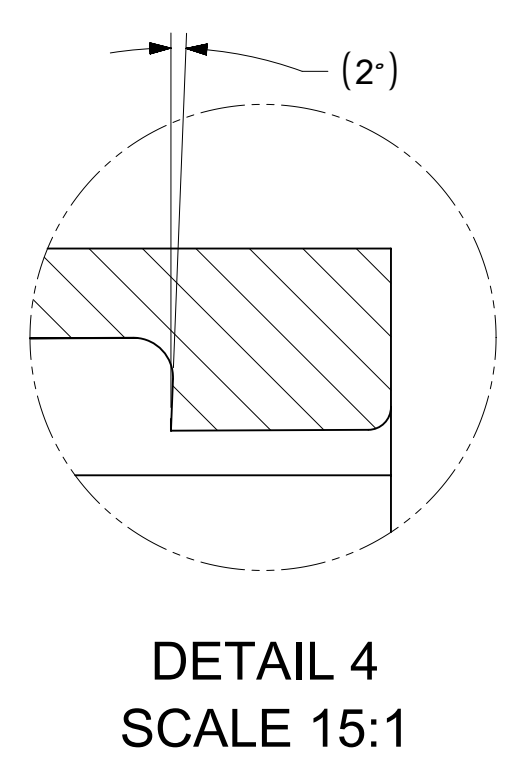
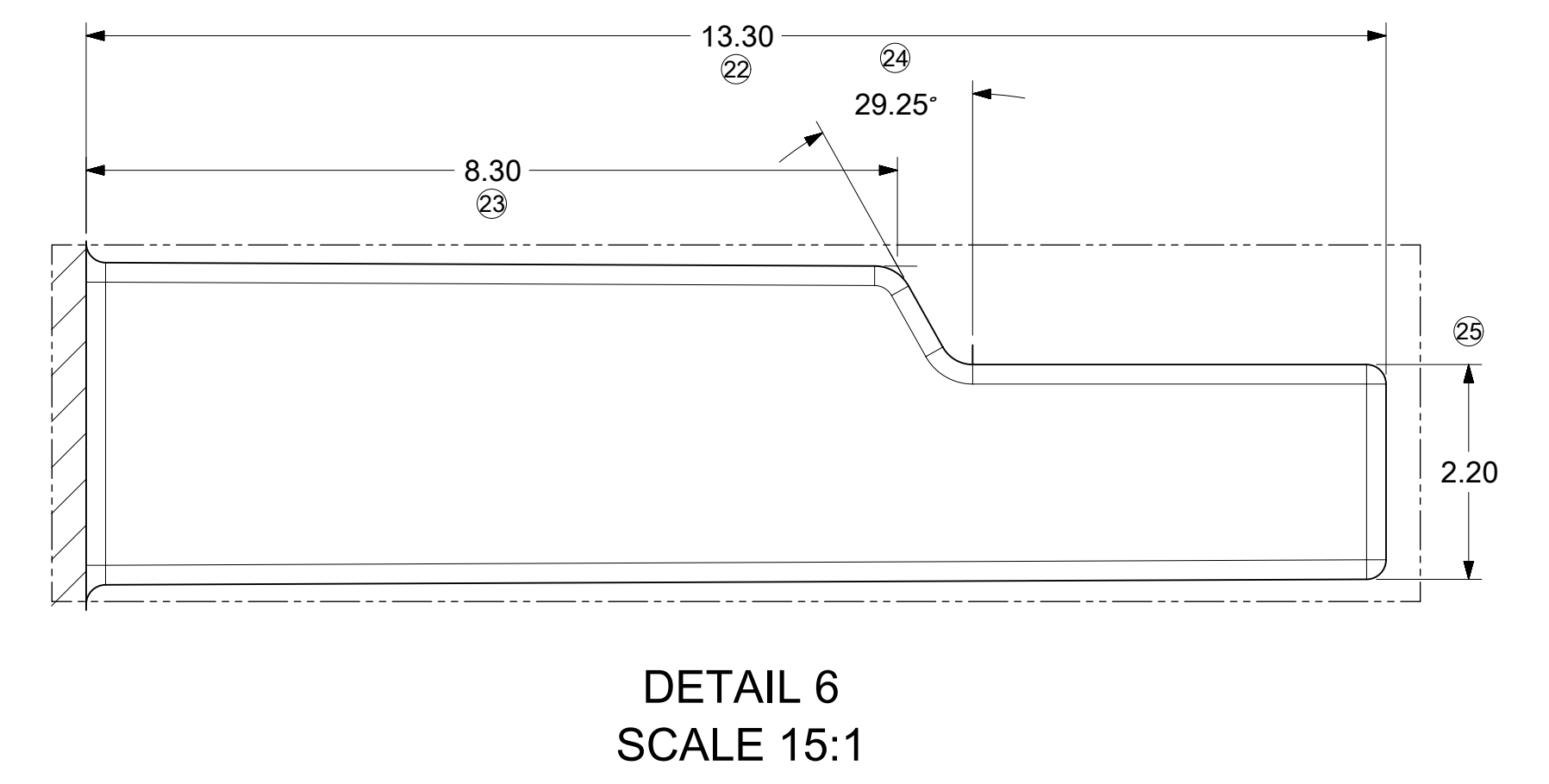
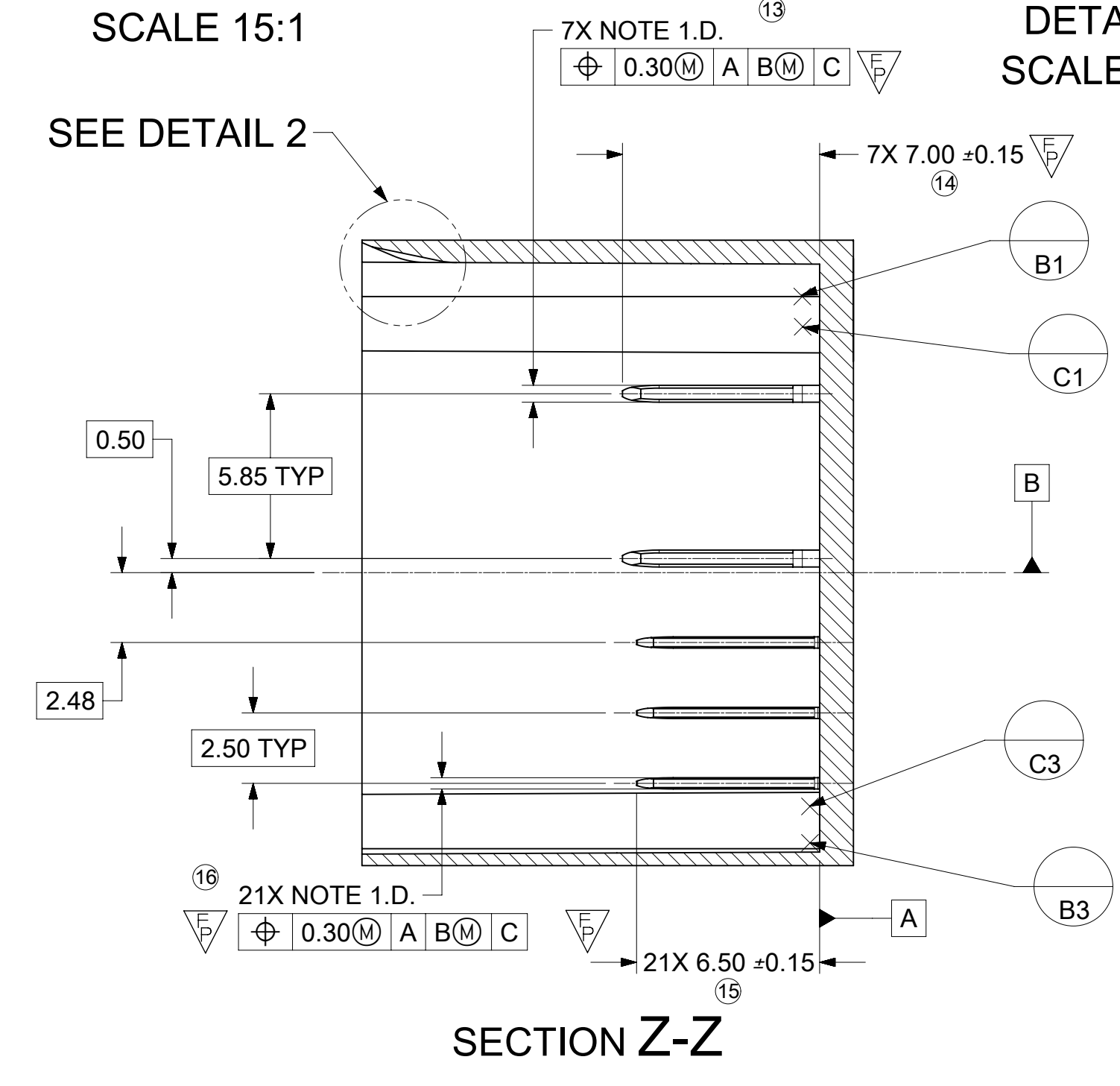
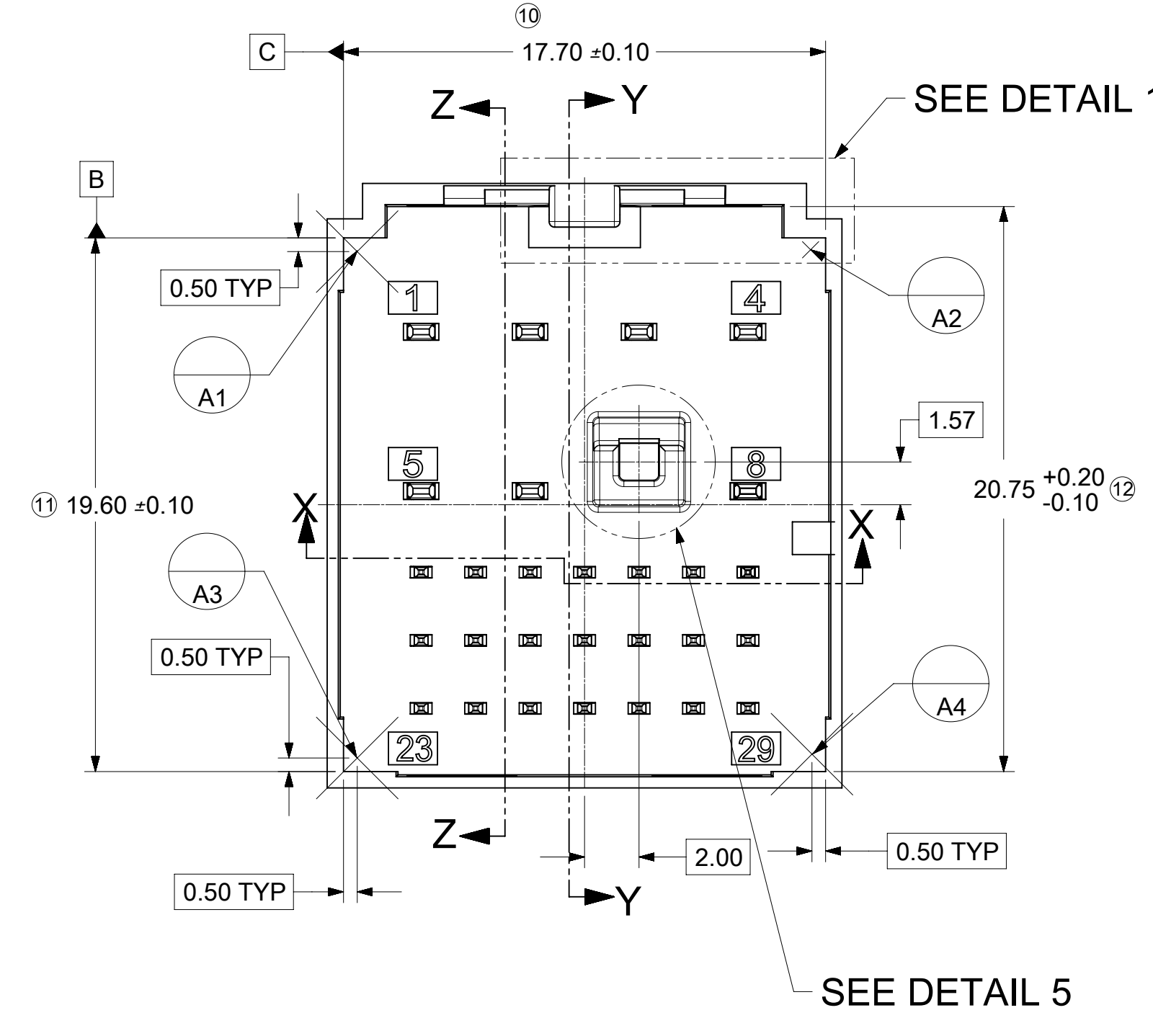
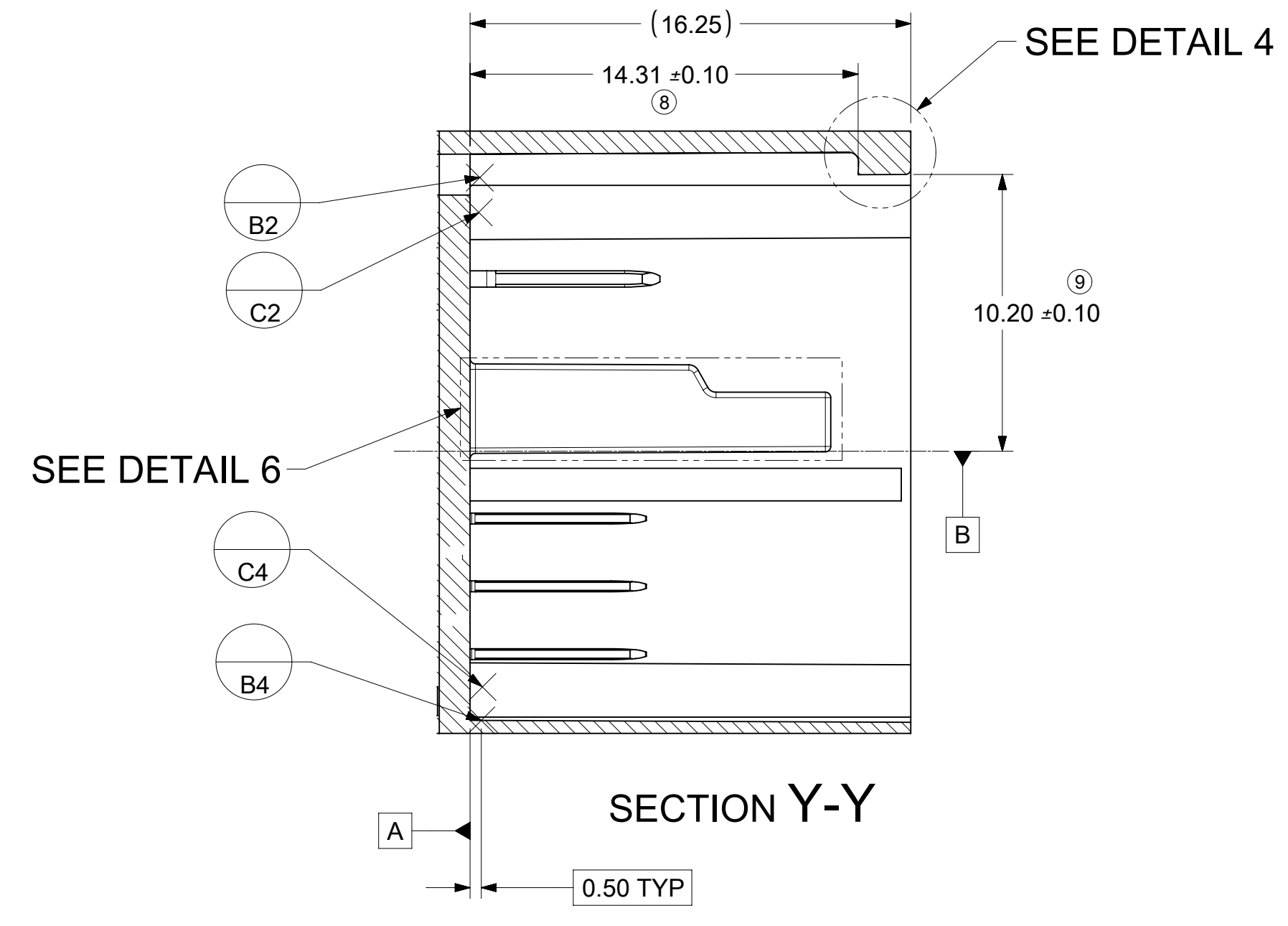
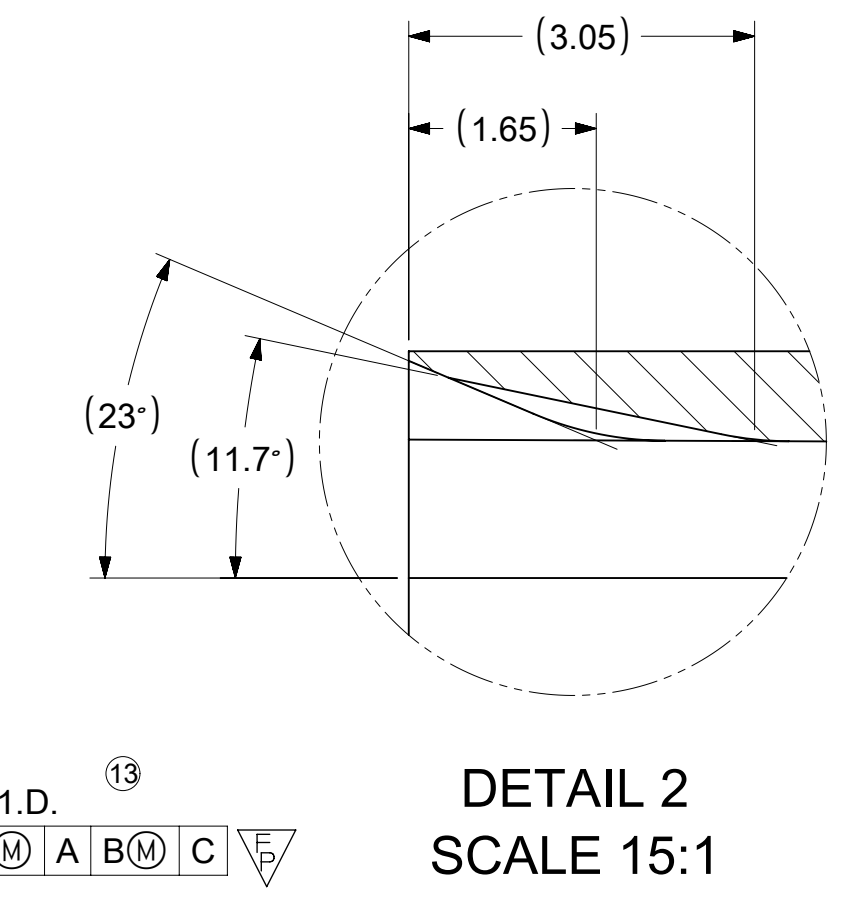
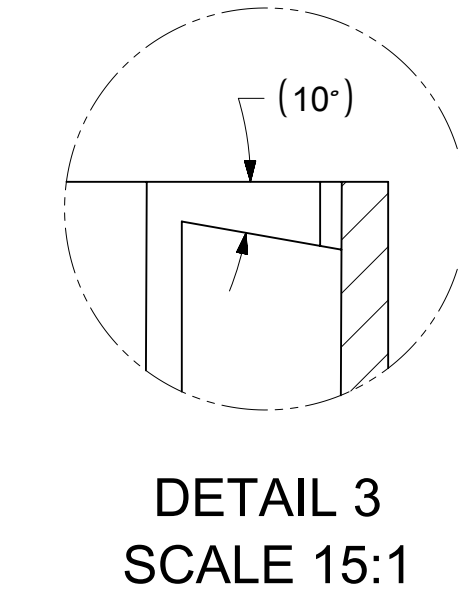
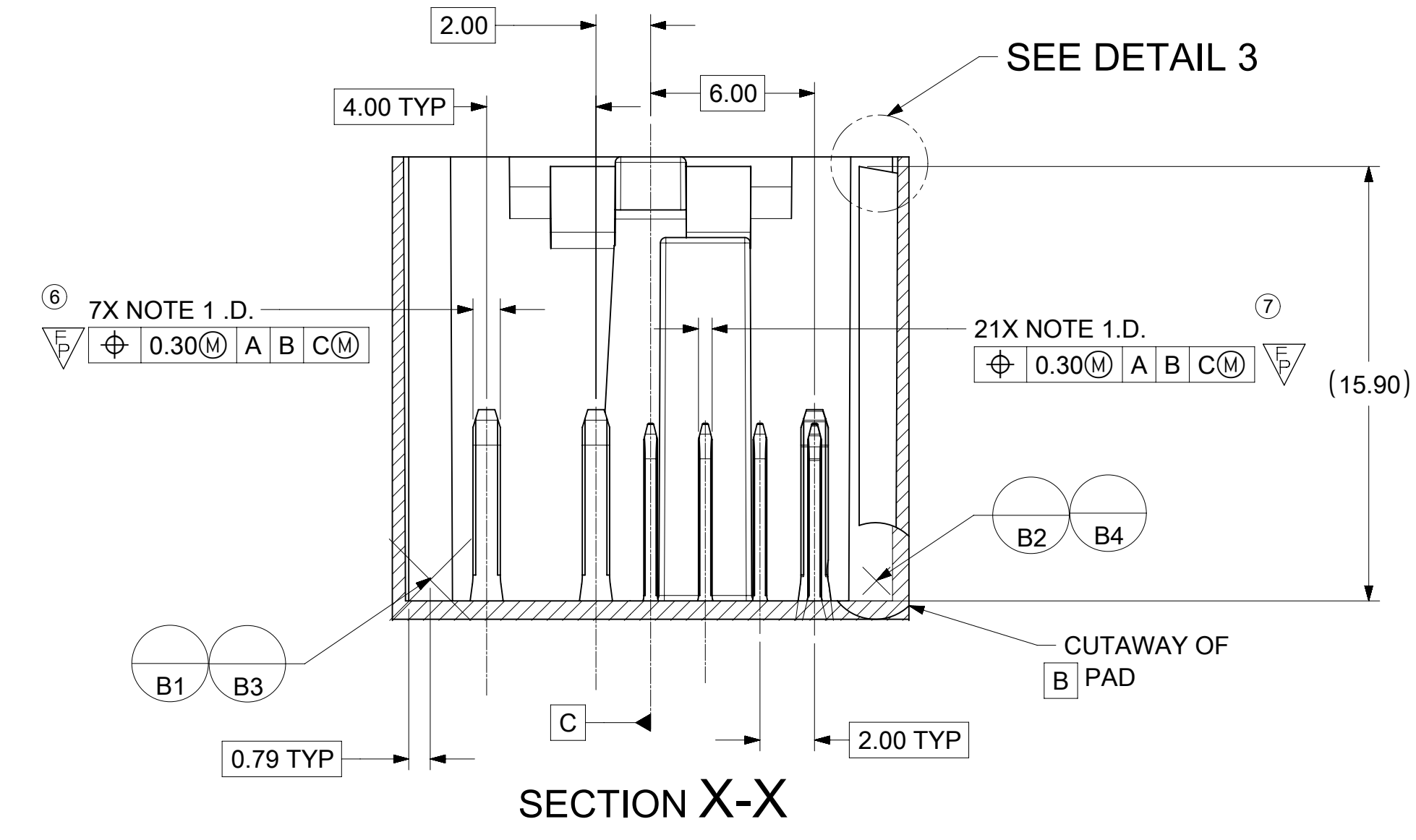
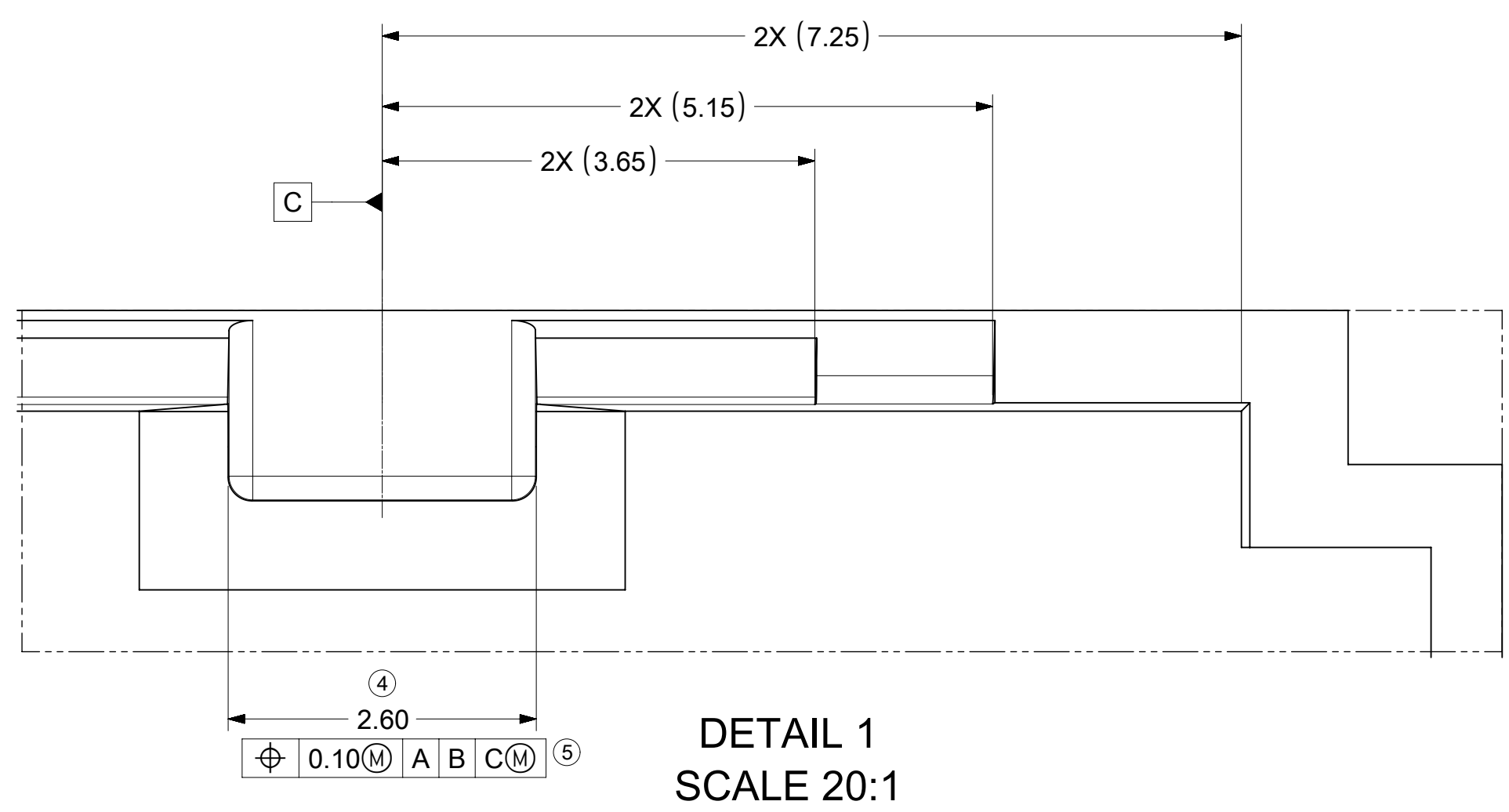
INTERFACE KEY #4
MATING CONNECTOR COLOR; BLACK



- NOTES: VALID UNLESS OTHERWISE SPECIFIED
- DESIGN - MATERIALS:
 - RESIN MATERIAL: PBT+GF30 OR SPS+GF30 OR EQUIVALENT
 - PIN/BLADE MATERIAL: ACCORDING TO USCAR DRAWING EWCAP-001 NOTE B2.
 - PLATING: ACCORDING TO USCAR DRAWING EWCAP-001 TIN REFLOW WITH UNDERPLATE.
 - PIN GEOMETRY ACCORDING TO USCAR DRAWING EWCAP-001 (120-T002 & 050-T001)
 - DEVIATION TO EWCAP-001 ACCEPTABLE IF PERFORMANCE (ELECTRICAL/MECHANICAL) IS SHOWN TO BE EQUAL OR BETTER AS REQUIRED BY VALIDATION TESTING.
 - DESIGN - GEOMETRY:
 - ALL GRAPHIC DATA IS BASIC (NO TOLERANCE) AND MUST BE TAKEN FROM THE DATA FILE AT ITS LATEST REVISION.
 - PRODUCT DESIGN MODEL NUMBER(S): SEE BOM TABLE
 - GEOMETRIC DIMENSIONS AND TOLERANCES PER ASME Y14.5M-2009
 - GENERAL TOLERANCES:
 - LINEAR: PER DIN 16901 LINEAR CODE B FOR PRECISION ENGINEERING
 - ANGULAR: ± 3°
 - EDGES AND UNDIMENSIONED DETAILS PER ISO13715
 - CORNERS SHOWN AS SHARP TO BE R 0.2 MAX.
 - CIRCUIT LOCATION #7 VOIDED FOR 28WAY INTERFACE
 - DESIGN - MANUFACTURING:
 - DRAFT TO BE WITHIN TOLERANCE.

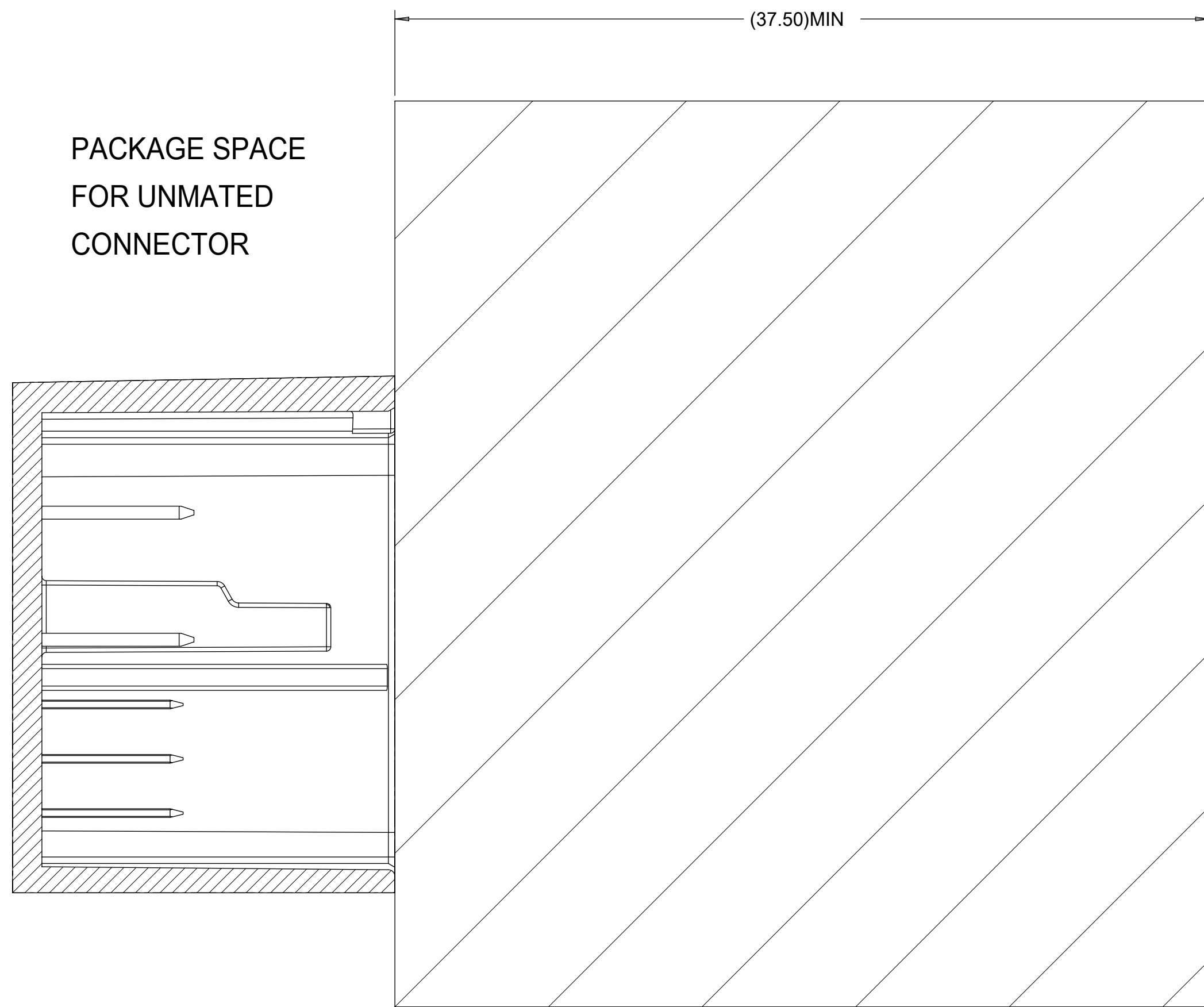
REV	DESCRIPTION
B1	ADDED BALLOONS JCONDON 07/31/2018
B	REMOVED 0.2MM FROM CONNECTOR LOCK TAB FEATURE
A3	NOTE 1.E. ADDED JCONDON 11/13/2017
A2	NX-REMASTERING SAP # 10867412
A1	UAU2016-1133 SAP # 10762453 JCONDON 02/02/2016
A	UAU2015-1973 SAP # 10701371 JCONDON 06/30/2015
6	UAU2015-1446 SAP # 10681629 JCONDON 03/25/2015
5	UAU2015-1212 SAP # 10674908 JCONDON 02/06/2015
4	UAU2015-0634 SAP # 10661788 JCONDON 10/22/2014
3	UAU2014-1679 SAP # XXXXXXXX BSCUDDER 04/28/2014
2	UAU2014-1221 SAP # XXXXXXXX MYOUNG01 01/21/2014
1	UAU2014-0715 SAP # XXXXXXXX MYOUNG01 11/14/2013

SYMBOLS	THIS DRAWING CONTAINS INFORMATION THAT IS PROPRIETARY TO MOLEX ELECTRONIC TECHNOLOGIES, LLC AND SHOULD NOT BE USED WITHOUT WRITTEN PERMISSION		CURRENT REV DESC: ADD DIMENSION BALLOONS		molex
	DIMENSION UNITS	SCALE			
▽ = 0	mm	5:1			28WAY STAK50H INTERFACE DRAWING
▽ = 0	GENERAL TOLERANCES (UNLESS SPECIFIED)				
▽ = 0	ANGULAR TOL ± °		EC NO: 602204		PRODUCT CUSTOMER DRAWING
▽ = 0	4 PLACES	±	DRWN: JCONDON	2018/07/31	
▽ = 0	3 PLACES	±	CHK'D: JCONDON	2018/08/03	DOCUMENT NUMBER
▽ = 0	2 PLACES	±	APPR: MVANSLAMBROU	2018/08/03	
▽ = 0	1 PLACE	±	INITIAL REVISION:		SD-160014-002
▽ = 0	0 PLACES	±	DRWN: MYOUNG01	2013/11/14	
□ = 0	DRAFT WHERE APPLICABLE MUST REMAIN WITHIN DIMENSIONS		THIRD ANGLE PROJECTION	DRAWING	SERIES
▽ = 0				D-SIZE	160014
DOCUMENT STATUS			P1	RELEASE DATE	2018/08/03 19:41:28

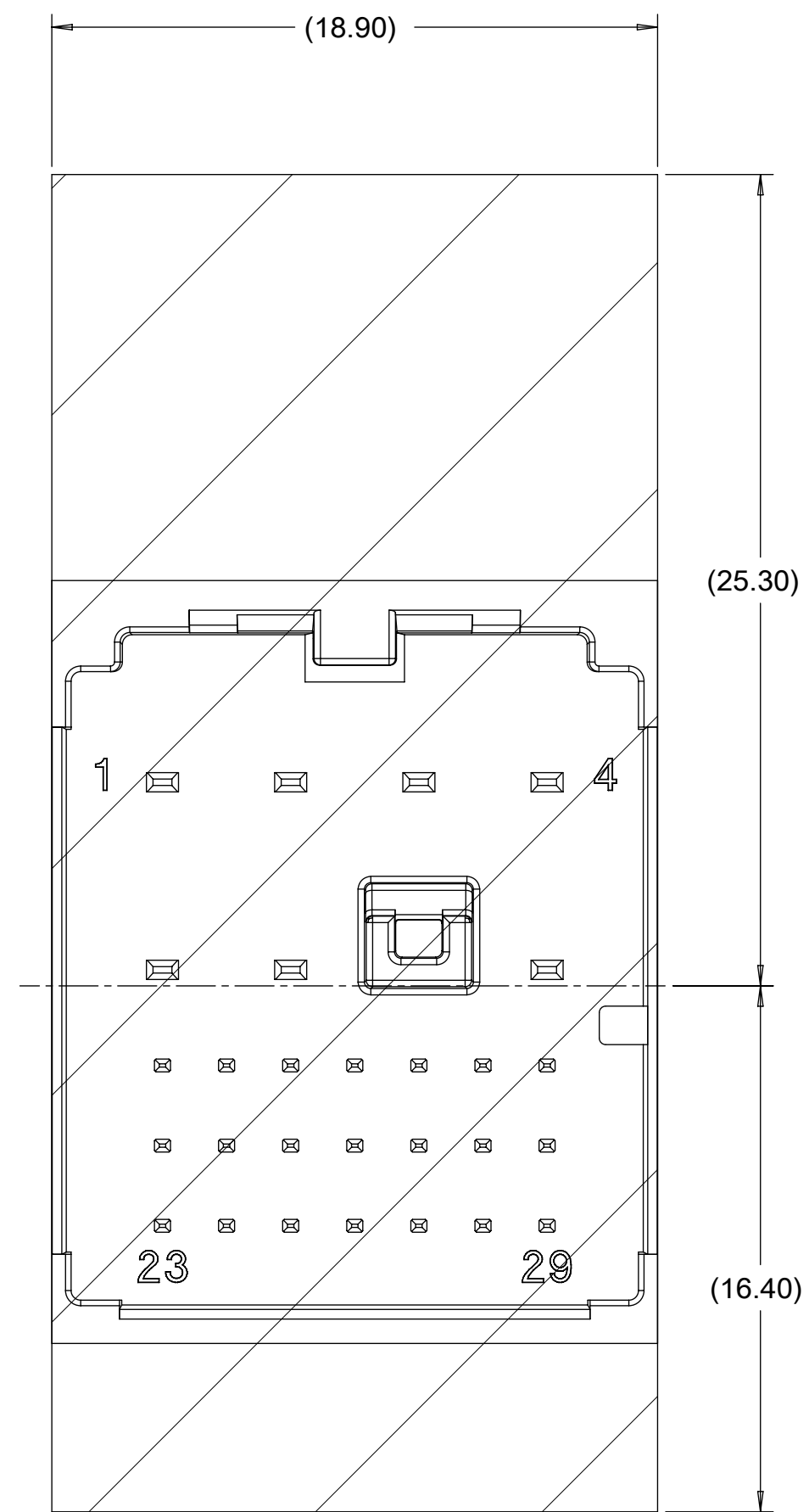


SYMBOLS	THIS DRAWING CONTAINS INFORMATION THAT IS PROPRIETARY TO MOLEX ELECTRONIC TECHNOLOGIES, LLC AND SHOULD NOT BE USED WITHOUT WRITTEN PERMISSION		CURRENT REV DESC: ADD DIMENSION		molex
	DIMENSION UNITS	SCALE	BALLOONS		
▽ = 0	mm	5:1			28WAY STAK50H INTERFACE DRAWING
▽ = 0	GENERAL TOLERANCES (UNLESS SPECIFIED)				
▽ = 0	ANGULAR TOL ± °				PRODUCT CUSTOMER DRAWING
▽ = 0	4 PLACES	±	EC NO: 602204	2018/07/31	DOCUMENT NUMBER SD-160014-002
▽ = 0	3 PLACES	±	DRWN: JCONDON	2018/08/03	
▽ = 0	2 PLACES	±	APPR: MVANSLAMBROU	2018/08/03	DOC PART 001
▽ = 0	1 PLACES	±	INITIAL REVISION:		REVISION B1
▽ = 0	0 PLACES	±	DRWN: MYOUNG01	2013/11/14	SHEET NUMBER 2 OF 3
▽ = 0	DRAFT WHERE APPLICABLE MUST REMAIN WITHIN DIMENSIONS		APPR: KDEKOSKI	2014/01/02	
▽ = 0	THIRD ANGLE PROJECTION		DRAWING	SERIES	MATERIAL NUMBER
▽ = 0	D-SIZE		160014	CUSTOMER GENERAL MARKET	

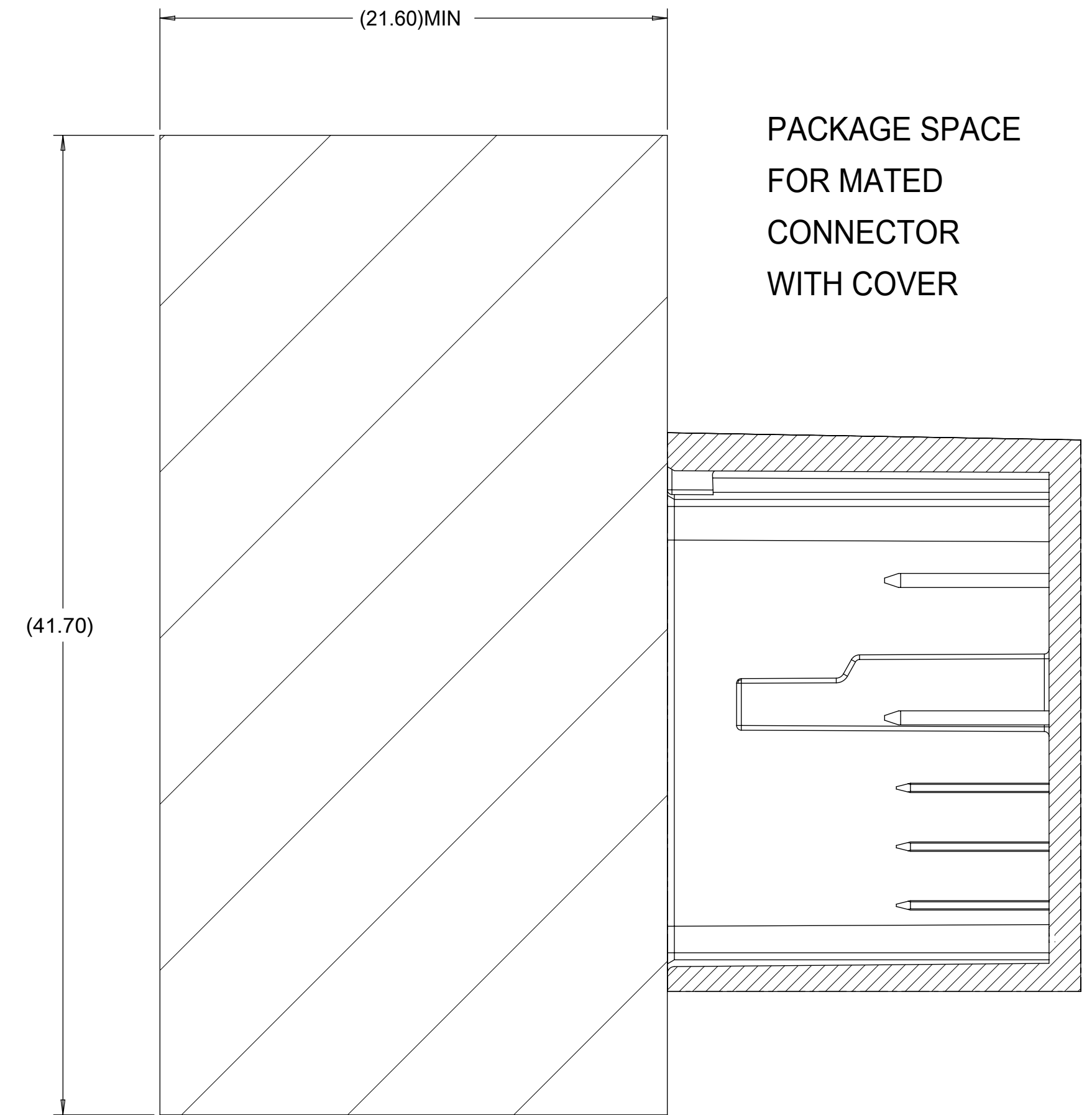
PACKAGE SPACE
FOR UNMATED
CONNECTOR



PACKAGE SPACE
FOR CONNECTOR



PACKAGE SPACE
FOR MATED
CONNECTOR
WITH COVER



SYMBOLS	THIS DRAWING CONTAINS INFORMATION THAT IS PROPRIETARY TO MOLEX ELECTRONIC TECHNOLOGIES, LLC AND SHOULD NOT BE USED WITHOUT WRITTEN PERMISSION		
	DIMENSION UNITS	SCALE	CURRENT REV DESC: ADD DIMENSION BALLOONS
▽ = 0	mm	5:1	
▽ = 0	GENERAL TOLERANCES (UNLESS SPECIFIED)		
▽ = 0	ANGULAR TOL ± °		
▽ = 0	4 PLACES	±	EC NO: 602204
▽ = 0	3 PLACES	±	DRWN: JCONDON 2018/07/31
▽ = 0	2 PLACES	±	CHK'D: JCONDON 2018/08/03
▽ = 0	1 PLACE	±	APPR: MVANSLAMBROU 2018/08/03
□ = 0	0 PLACES	±	INITIAL REVISION:
■ = 0	DRAFT WHERE APPLICABLE MUST REMAIN WITHIN DIMENSIONS		DRWN: MYOUNG01 2013/11/14
▽ = 0	THIRD ANGLE PROJECTION		APPR: KDEKOSKI 2014/01/02
	DRAWING SERIES		D-SIZE 160014
DOCUMENT STATUS		DOCUMENT NUMBER	DOC TYPE DOC PART REVISION
P1	RELEASE DATE	SD-160014-002	PSD 001 B1
2018/08/03 19:41:28		PRODUCT CUSTOMER DRAWING	
		MATERIAL NUMBER	CUSTOMER SHEET NUMBER
		GENERAL MARKET	3 OF 3