



产品编号 : [1720503064](#)

Product Description : EdgeLine+ ESP Vertical Connector, 15 Gbps, 0.75mm Pitch, 1.57mm PCB Thickness, 40.0A Power Module, 64 Circuits, 2 Power Circuits

系列号 : 172050

状态 : Active

Product Category : Card Edge Connectors



文件和资源

图纸

[图纸 1720503064_sd.pdf](#)

[包装设计图 PK-172052-1000-001.pdf](#)

3D 模型和设计文件

[3D模型 1720503064_stp.zip](#)

[电气模型文件 1720500004-000.pdf](#)

[S参数 1720500004-000.zip](#)

[符号足迹数据 SYM-172050-3064-001.zip](#)

规格

[应用规格 AS-172050-0001-001.pdf](#)

[产品规格 PS-172050-0001-001.pdf](#)

产物环境合规

合规

GADSL/IMDS	Not Relevant
China RoHS	
EU ELV	Not Relevant
Low-Halogen Status	Low-Halogen per IEC 61249-2-21
REACH SVHC	Not Contained per D(2023)3788-DC (14 Jun 2023)
EU RoHS	Compliant per EU 2015/863

多部分产品合规性声明

- Eu RoHS
- REACH SVHC
- Low-Halogen

多部分行业合规性文件

- IPC 1752A Class C
- IPC 1752A Class D
- Molex Product Compliance Declaration
- IEC-62474
- chemSHERPA (xml)

欧盟 RoHS 合格证书

产品详情

常规

状态	活动
类别	Card Edge Connectors
系列	172050
说明	EdgeLine+ ESP Vertical Connector, 15 Gbps, 0.75mm Pitch, 1.57mm PCB Thickness, 40.0A Power Module, 64 Circuits, 2 Power Circuits
元件类型	Edgecard to PCB
产品系列	EdgeLine High-Speed Connectors
产品名称	EdgeLine
基于标准	常规
UPC	887191487137

机构

CSA	LR19980
UL	E29179

电气

每触点最大电流	1.5A, 40.0A
数据传输率	12.5-20.0 Gbps
大功率隔间 (30.0A 或更高)	是
电压 - 最大	250V AC (RMS)/DC

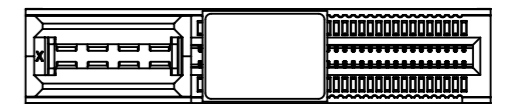
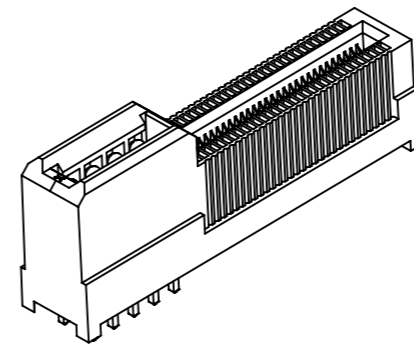
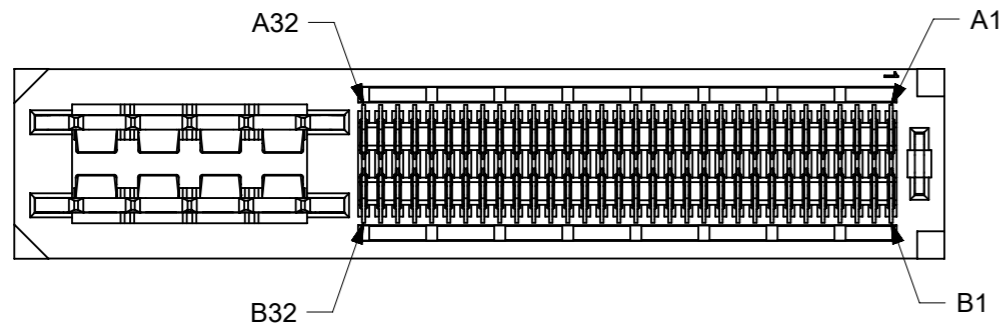
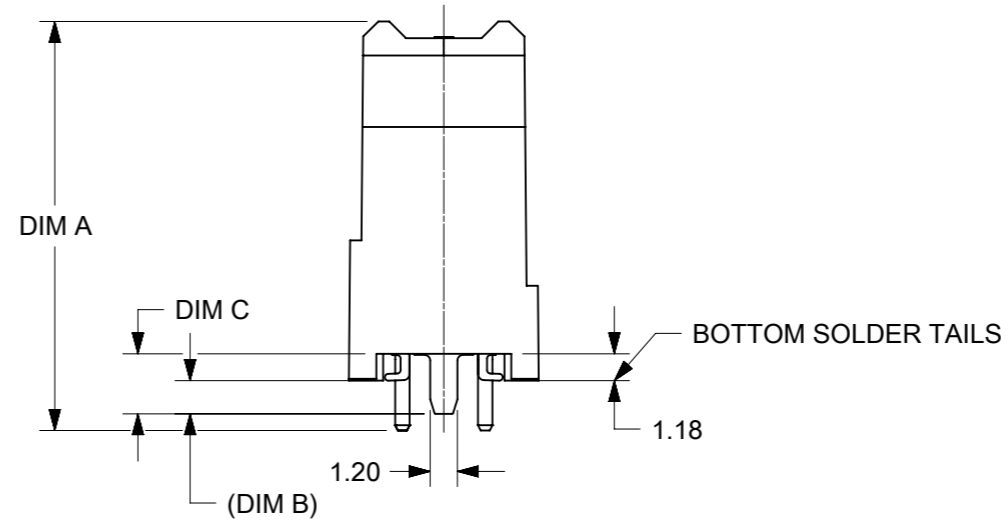
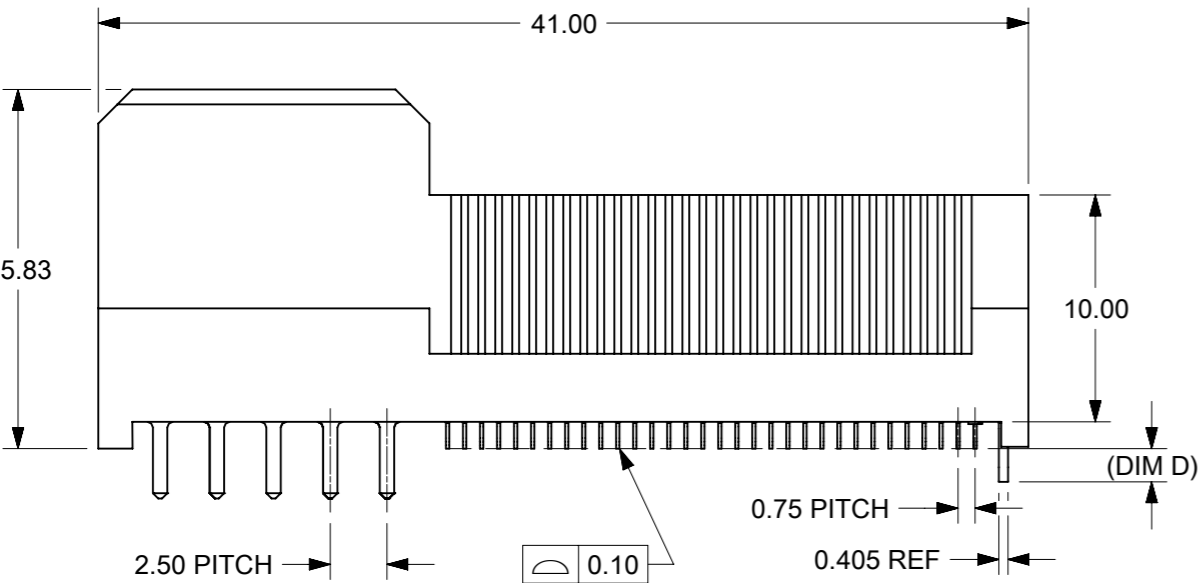
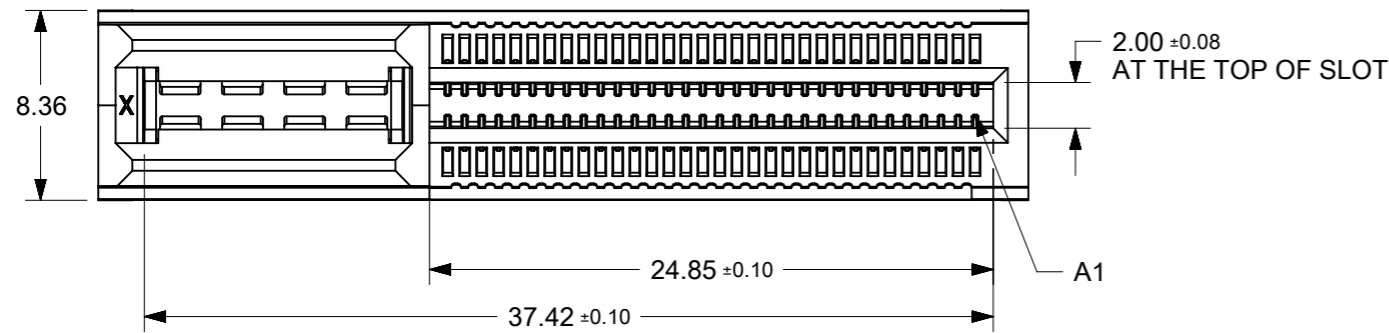
物理

电路尺寸范围	1-64 Circuits
回路数 (已载入)	64
电路数 (最多)	64

颜色-树脂	黑色
耐用性(插拔次数) - 最多次数	200
侧边卡厚度	1.57mm
进入角度	不适用
插接极性	不适用
材料 - 金属	Copper Alloy
材料 - 接合部位电镀	金牌
材料 - 终端电镀	Tin
材料 - 树脂	High Temperature Thermoplastic
净重	6.215/g
方向	垂直
包装形式	Tube
PCB 定位器	是
PCB 保持力	是
推荐的 PCB 厚度	2.79mm
间距 - 插配接口	0.75mm
间距 - 终端界面	0.75mm
最薄镀层 - 接合部位	0.762 μ m
最薄镀层 - 端接	0.762 μ m
有极性的插配件	是
电源 - 信号配置	64s - 0p
运行温度范围	-40° to +105° C
终端界面类型	Surface Mount

进程

最长持续时间	10
无铅	REFLOW
最大周期	2
最高温度	260



1.00

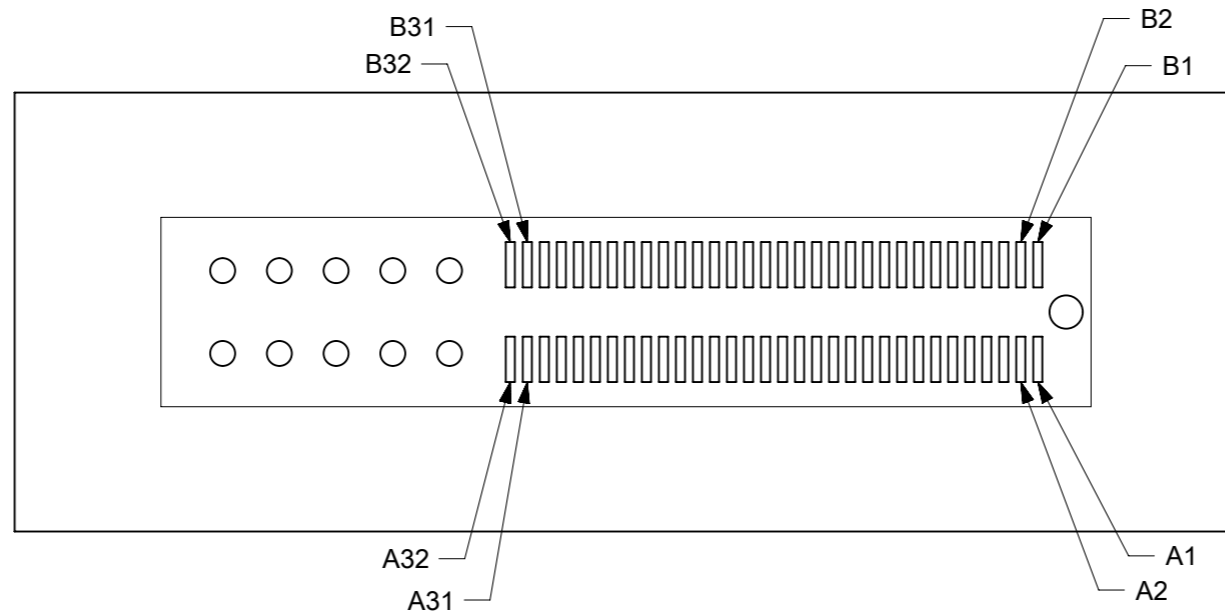
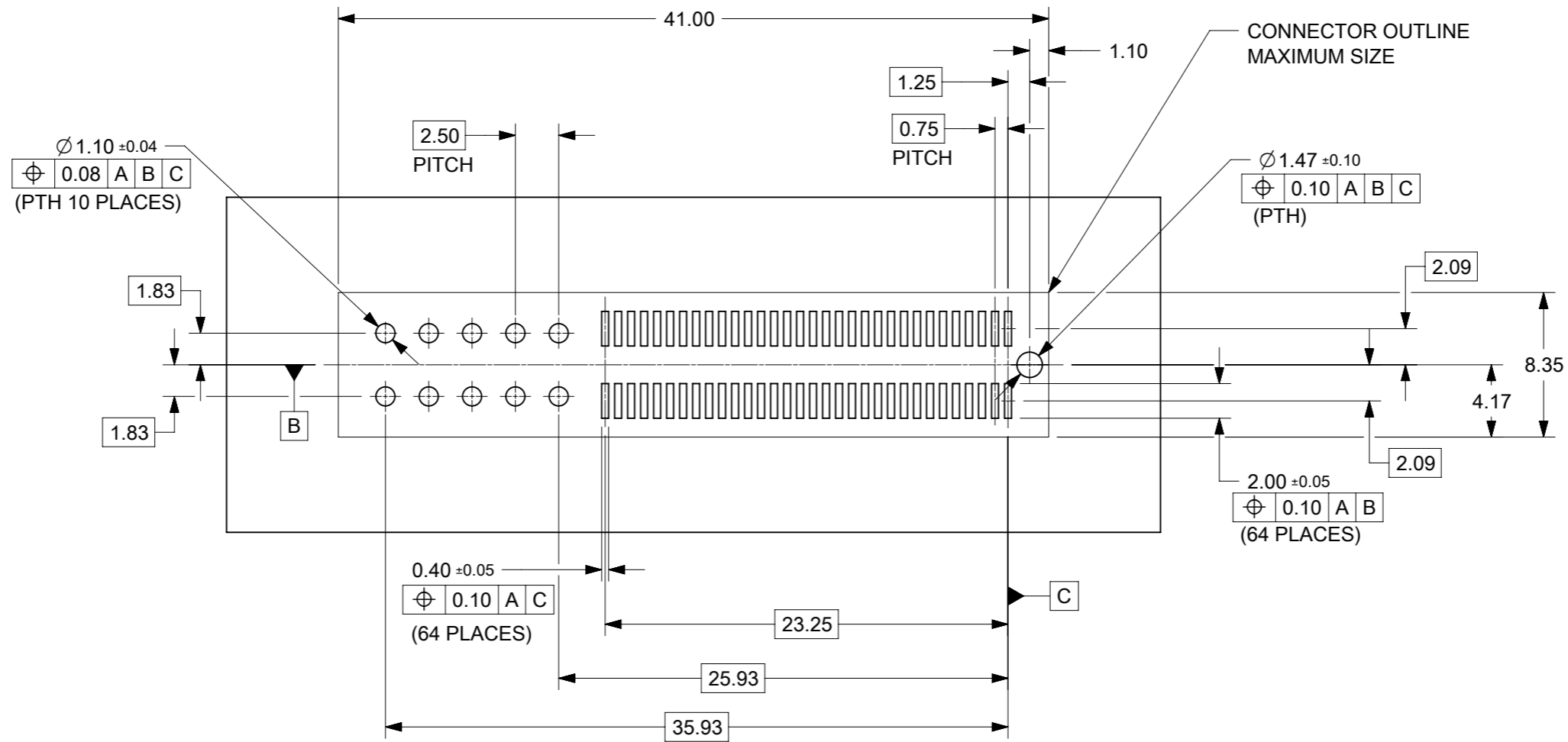
PICK AND PLACE CAP POSITION

PART NUMBER	DIM A	DIM B	DIM C	DIM D	PACKAGING SPECIFICATION
1720502064	19.8	4.0	4.85	3.65	1720522000 (TAPE & REEL)
1720503064	19.8	4.0	4.85	3.65	PK-172052-1000 (TUBE)

NOTES:

- MATERIAL:
HOUSING - GLASS FILLED THERMOPLASTIC, 94-VO, BLACK
TERMINALS - HIGH PERFORMANCE COPPER ALLOY
- FINISH:
CONTACT AREA: SELECT GOLD 0.76µm MIN
SOLDER TAIL: 2.54µm MIN TIN (MATTE)
UNDERPLATE: 1.27µm MIN NICKEL ALL OVER
- PRODUCT SPECIFICATION: PS-172050-0001.
- PACKAGING SPECIFICATION: SEE TABLE.
- APPLICATION SPECIFICATION: AS-172050-0001.
- MATING PC BOARD THICKNESS = 1.60±0.16MM OVER CONTACT PADS.
- PRODUCT IS ELV AND RoHS COMPLIANT. LEVEL OF COMPLIANCE: 6/6
ALL BANNED SUBSTANCES ARE REMOVED:
Pb (LEAD)
HEXAVALENT CHROMIUM (CrVI)
CADMIUM
MERCURY
POLYBRMINATED BIPHENYL (PBB)
POLYBROMINATED DIPHENYL ETHER (PBDE)
- THIS PART CONFORMS TO CLASS B REQUIREMENTS OF COSMETIC SPEC PS-45499-002.

THIS DRAWING CONTAINS INFORMATION THAT IS PROPRIETARY TO MOLEX ELECTRONIC TECHNOLOGIES, LLC AND SHOULD NOT BE USED WITHOUT WRITTEN PERMISSION		CURRENT REV DESC: OBSOLETE PART NUMBER		molex	
DIMENSION UNITS	SCALE				
mm	NTS			EDGELINE+ ESP 40A 64CKTS .062"PCB 0.75MM PITCH SALES DRAWING	
GENERAL TOLERANCES (UNLESS SPECIFIED)				PRODUCT CUSTOMER DRAWING	
ANGULAR TOL	± 0.5°			DOCUMENT NUMBER	
4 PLACES	±	EC NO: 655721	2021/01/19	SD-172050-1064	
3 PLACES	±	DRWN: RPRABHUM	2021/03/15	DOC TYPE	DOC PART
2 PLACES	± 0.15	CHK'D: GGA	2021/03/15	PSD	001
1 PLACE	± 0.25	APPR: GGA	2021/03/15	REVISION	
0 PLACES	±	INITIAL REVISION:		C4	
DRAFT WHERE APPLICABLE MUST REMAIN WITHIN DIMENSIONS		DRWN: DROSCA	2013/04/16		
THIRD ANGLE PROJECTION		APPR: JCOMERCI	2013/05/15		
DRAWING		SERIES	MATERIAL NUMBER	CUSTOMER	
A3-SIZE		172050	SEE TABLE	GENERAL MARKET	
SHEET NUMBER		1 OF 3			



$\varnothing 1.10 \pm 0.04$
 $\varnothing 0.08$ A B C
 (PTH 10 PLACES)

1.25

0.75
PITCH

CONNECTOR OUTLINE
MAXIMUM SIZE

$\varnothing 1.47 \pm 0.10$
 $\varnothing 0.10$ A B C
 (PTH)

1.83

1.83

B

2.09

8.35

4.17

2.00 ± 0.05

$\varnothing 0.10$ A B
 (64 PLACES)

2.09

0.40 ± 0.05

$\varnothing 0.10$ A C
 (64 PLACES)

23.25

25.93

35.93

C

B31

B32

B2

B1

A32

A31

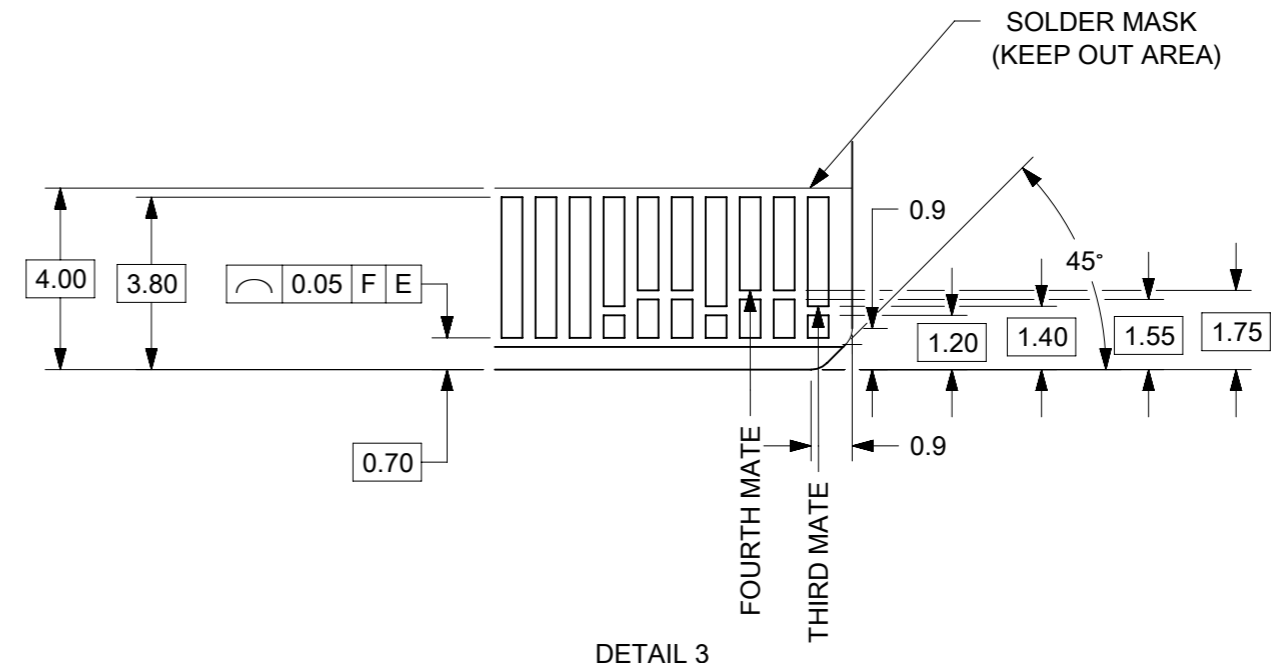
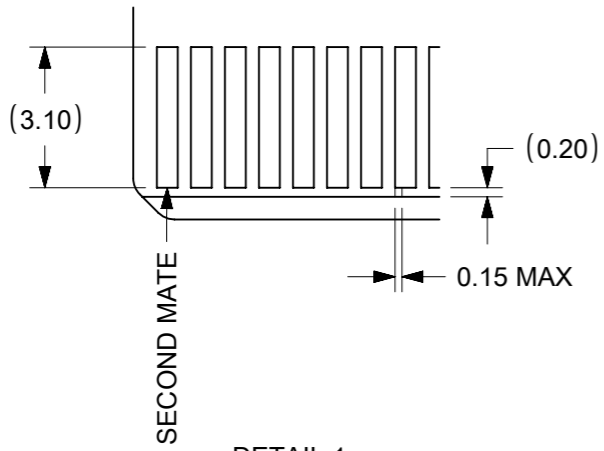
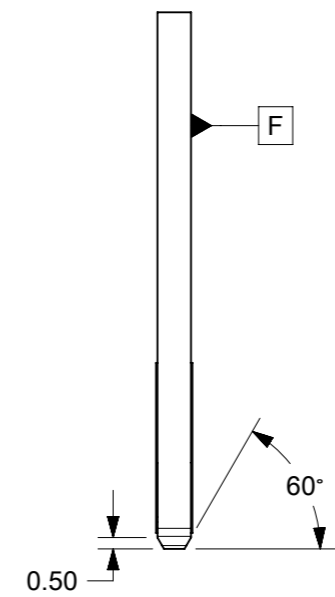
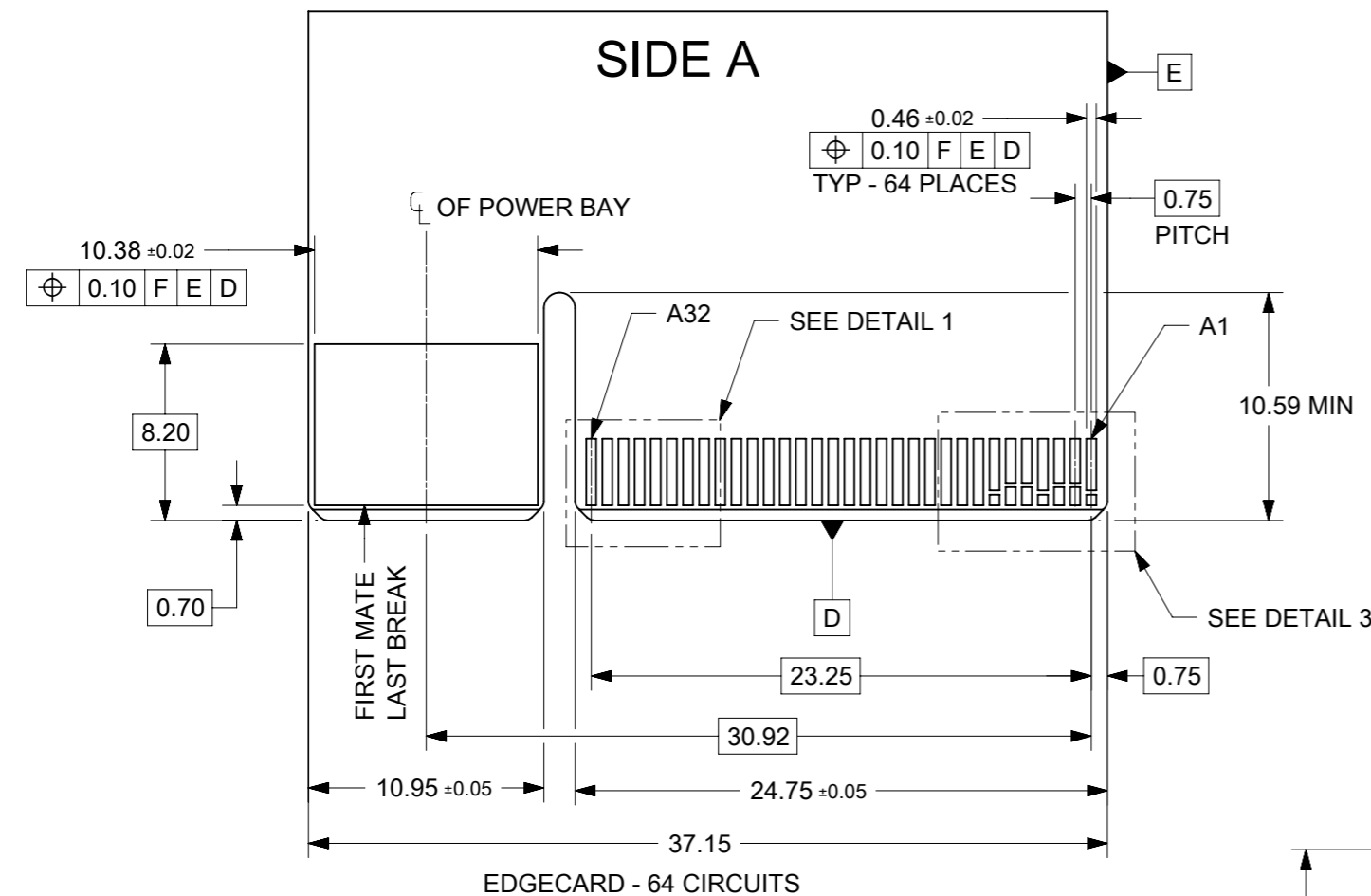
A1

A2

FOOT PRINT NOTES:
 1. DATUM -A- IS THE TOP OF THE PCB.

THIS DRAWING CONTAINS INFORMATION THAT IS PROPRIETARY TO MOLEX ELECTRONIC TECHNOLOGIES, LLC AND SHOULD NOT BE USED WITHOUT WRITTEN PERMISSION		CURRENT REV DESC: OBSOLETE PART NUMBER			
DIMENSION UNITS	SCALE				
mm	NTS			EDGELINE+ ESP 40A 64CKTS .062"PCB 0.75MM PITCH SALES DRAWING	
GENERAL TOLERANCES (UNLESS SPECIFIED)		EC NO: 655721		PRODUCT CUSTOMER DRAWING	
ANGULAR TOL	$\pm 0.5^\circ$	DRWN: RPRABHUM	2021/01/19	DOCUMENT NUMBER: SD-172050-1064 DOC TYPE: PSD DOC PART: 001 REVISION: C4	
4 PLACES	\pm	CHK'D: GGA	2021/03/15		
3 PLACES	\pm	APPR: GGA	2021/03/15		
2 PLACES	± 0.15	INITIAL REVISION:			
1 PLACE	± 0.25	DRWN: DROSCA	2013/04/16		
0 PLACES	\pm	APPR: JCOMERCI	2013/05/15		
DRAFT WHERE APPLICABLE MUST REMAIN WITHIN DIMENSIONS		THIRD ANGLE PROJECTION	DRAWING	SERIES	MATERIAL NUMBER
			A3-SIZE	172050	SEE TABLE
				CUSTOMER	SHEET NUMBER
				GENERAL MARKET	2 OF 3

DOCUMENT STATUS	P1	RELEASE DATE	2021/03/15	11:28:43
-----------------	----	--------------	------------	----------



NOTES:
 1. THESE ARE GENERIC DETAILS THAT DESCRIBES THE CONFIGURATION OF VARIOUS PCB DESIGN ELEMENTS. THE CUSTOMER MUST DETERMINE WHERE AND WHEN TO USE EACH ELEMENT TO ACCOMMODATE THEIR SPECIFIC APPLICATION.
 2. CHAMFER ROUGHNESS NOT TO EXCEED 3.17µm.
 3. EDGE CARD CHAMFER NOT TO GO THROUGH GOLD PAD.

THIS DRAWING CONTAINS INFORMATION THAT IS PROPRIETARY TO MOLEX ELECTRONIC TECHNOLOGIES, LLC AND SHOULD NOT BE USED WITHOUT WRITTEN PERMISSION		CURRENT REV DESC: OBSOLETE PART NUMBER		molex	
DIMENSION UNITS	SCALE				
mm	NTS			EDGELINE+ ESP 40A 64CKTS .062"PCB 0.75MM PITCH SALES DRAWING	
GENERAL TOLERANCES (UNLESS SPECIFIED)				PRODUCT CUSTOMER DRAWING	
ANGULAR TOL	± 0.5 °	EC NO: 655721	2021/01/19	DOCUMENT NUMBER	DOC TYPE DOC PART REVISION
4 PLACES	±	DRWN: RPRABHUM	2021/03/15	SD-172050-1064	PSD 001 C4
3 PLACES	±	CHK'D: GGA	2021/03/15		
2 PLACES	± 0.15	APPR: GGA	2021/03/15		
1 PLACE	± 0.25	INITIAL REVISION:			
0 PLACES	±	DRWN: DROSCA	2013/04/16		
		APPR: JCOMERCI	2013/05/15		
DRAFT WHERE APPLICABLE MUST REMAIN WITHIN DIMENSIONS	THIRD ANGLE PROJECTION	DRAWING	SERIES	MATERIAL NUMBER	CUSTOMER
		A3-SIZE	172050		GENERAL MARKET
				SHEET NUMBER	
				3 OF 3	