



产品编号：[190060011](#)

Product Description：Avikrimp Quick Disconnect, Female Flag, for 14-16 AWG (2.00-1.30mm<sup>2</sup>) Wire, Tab 6.35 x 0.81mm, Blue, Bag

系列号：19006

状态：Active

Product Category：Quick Disconnects

工程编号：BB-5221



---

## 文件和资源

### 图纸

[图纸 190060011\\_sd.pdf](#)

### 3D 模型和设计文件

[3D模型 190060011\\_stp.zip](#)

### 规格

[产品规格 PS-19902-011-001.pdf](#)


[产品规格 PS-19902-013-001.pdf](#)

[产品规格 PS-19902-014-001.pdf](#)

---

## 产物环境合规

### 合规

GADSL/IMDS	Not Relevant
China RoHS	
EU ELV	Not Relevant
Low-Halogen Status	Low-Halogen per IEC 61249-2-21
REACH SVHC	Not Contained per D(2023)3788-DC (14 Jun 2023)
EU RoHS	Compliant per EU 2015/863

### 多部分产品合规性声明

- Eu RoHS

- REACH SVHC

- Low-Halogen

多部分行业合规性文件

- IPC 1752A Class C

- IPC 1752A Class D

- Molex Product Compliance Declaration

- IEC-62474

- chemSHERPA (xml)

欧盟 RoHS 合格证书

---

## 产品详情

### 常规

状态	活动
类别	Quick Disconnects
系列	19006
说明	Avikrimp Quick Disconnect, Female Flag, for 14-16 AWG (2.00-1.30mm <sup>2</sup> ) Wire, Tab 6.35 x 0.81mm, Blue, Bag
产品系列	Standard Quick-Disconnect Terminals
产品名称	Avikrimp
类型	Quick Disconnect
UPC	800753031050

### 机构

CSA	LR18689
UL	E79133

### 电气

电压 - 最大	600V
---------	------

### 物理

筒型	已关闭
颜色-树脂	蓝色
阻燃性	94V-2
性别	女
符合灼热丝规范	是

绝缘	Fully
绝缘	Nylon (PA)
锁定插接部位	无
材料 - 金属	Brass
材料 - 接合部位电镀	Tin
材料 - 终端电镀	Tin
材料 - 树脂	Nylon
净重	1.457/g
方向	标志
包装形式	Bag
有极性的插配件	否
调整片厚度	0.81mm
调整片宽	6.35mm
运行温度范围	-65° to +105° C
导线绝缘直径	4.32mm max.
线径规格 (AWG)	14, 16
线缆尺寸mm <sup>2</sup>	1.30-2.00

## 进程

无铅	不适用
----	-----

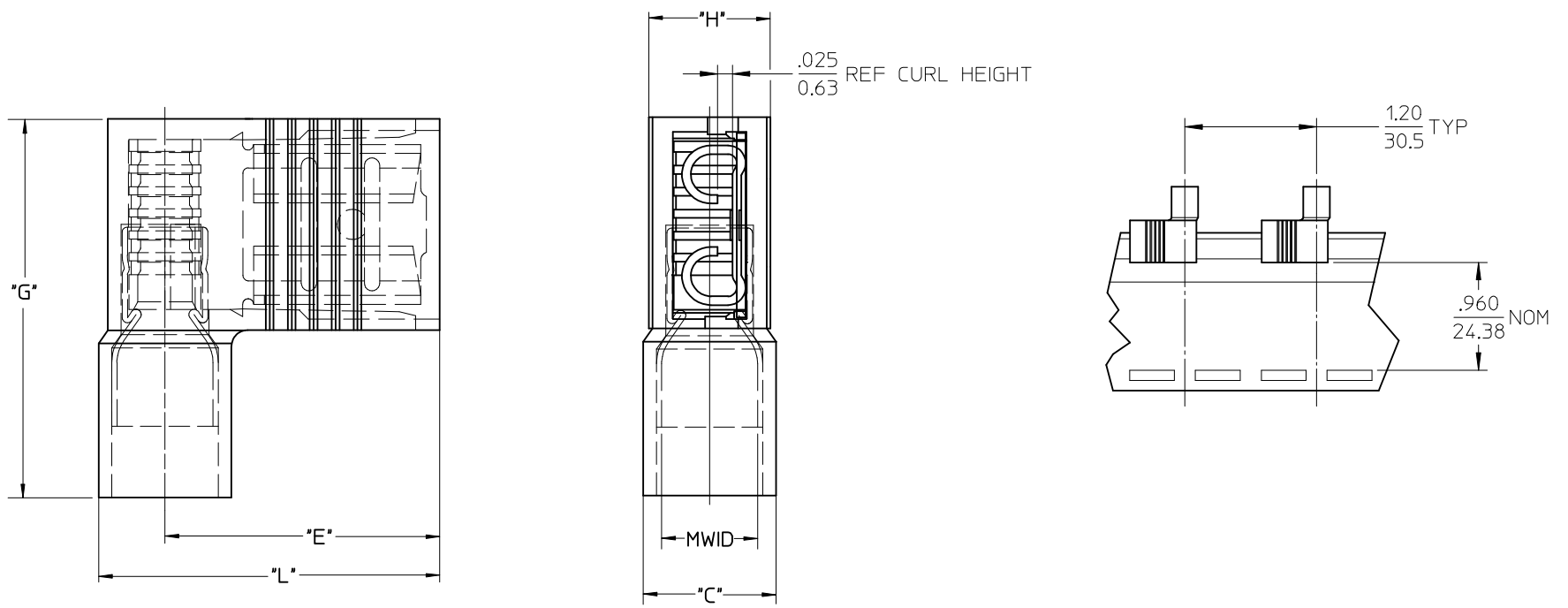
---

## 施工工具

### 全局

描述	产品编号
PremiumGrade Hand Crimp Tool for Avikrimp Fully Pre-Insulated and Insulated Quick Disconnect Flags, 14-22 AWG	<u>0640014300</u>
Crimp Head for the AT-200 Pneumatic Hand Tool	<u>0640054300</u>

10	9	8	7	6	5	4	3	2	19006				
MATERIAL NO.	ENG. NO.	MATERIAL NO. TAPE MOUNTED	ENG. NO. TAPE MOUNTED	MATERIAL NO. STRIP MOUNTED	ENG. NO. STRIP MOUNTED	AWG	COLOR	MWID	"L" ±.015/.381	"E" ±.015/.381	"C" DIA ±.015/.381	"G" ±.015/.381	"H" ±.015/.381
190060001	AA-5220	190060003	AA-5220T	190060004	AA-5220Z	22-18	RED	.150/3.81	.620/15.75	.512/13.00	.222/5.64	.690/17.53	.196/4.98
190060011	BB-5221	190060013	BB-5221T	190060014	BB-5221Z	16-14	BLUE	.170/4.32	.500/12.70	.242/6.15	.690/17.53	.196/4.98	
190060019	C-5211	190060020	C-5211T	190060070	C-5211Z	12-10	YELLOW	.245/6.22	.667/16.94	.511/12.98	.311/7.90	.677/17.20	.246/6.25

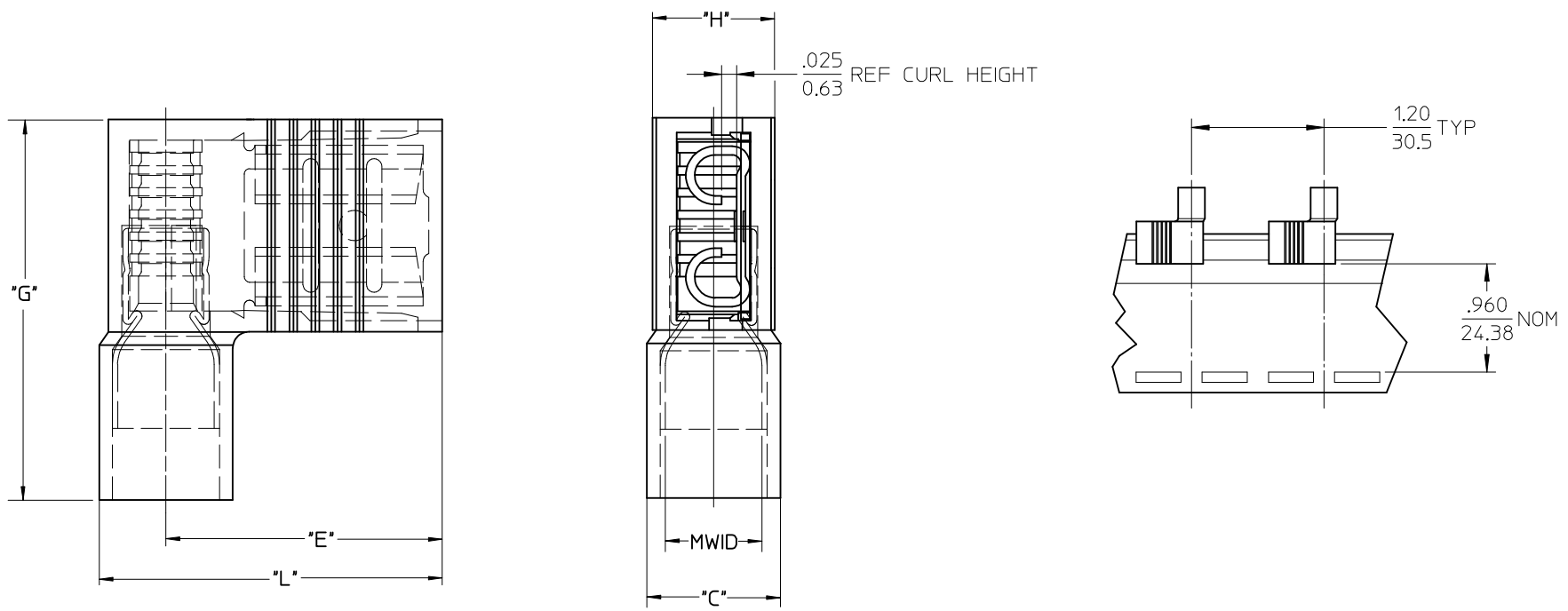


## SALES DRAWING

- NOTES:
1. MATERIAL: BRASS.  
PLATING: ELECTROPLATE TIN.
  2. INSULATION: NYLON.
  3. MWID=MAXIMUM WIRE INSULATION DIA.
  4. ALL DIMENSIONS IN INCHES (MM).

EC NO: ETC2004-0126 DRWN: DMYRICK 2004/01/06 CHKD: SBEITZEL 2004/01/06 APPR: RDEROSS 2004/01/07	QUALITY SYMBOLS ▽ - 0 ∇ - 0	GENERAL TOLERANCES (UNLESS SPECIFIED)		SCALE NTS	DESIGN UNITS INCH	THIRD ANGLE PROJECTION	REVISE ON CAD ONLY		
		mm	INCH	DIMENSION STYLE IN/MM					
		4 PLACES ± --- ± ---	3 PLACES ± --- ± .005	2 PLACES ± 0.13 ± .01	1 PLACE ± 0.25 ± ---	DRAWN BY DMYRICK	DATE 03/12/26	AVIKRIMP FLAG FULLY INSULATED .250 TAB WIDTH	
		ANGULAR ±1/2° DRAFT WHERE APPLICABLE MUST REMAIN WITHIN DIMENSIONS				CHECKED BY SBEITZEL	DATE 03/12/26	MOLEX INCORPORATED	
B	REV	THIS DRAWING CONTAINS INFORMATION THAT IS PROPRIETARY TO MOLEX INCORPORATED AND SHOULD NOT BE USED WITHOUT WRITTEN PERMISSION		APPROVED BY RDEROSS	DATE 03/12/26	MATERIAL NO. (SEE CHART)	DOCUMENT NO. SD-19006-001	SHEET NO. 1 OF 1	

10	9	8	7	6	5	4	3	2	19006				
MATERIAL NO.	ENG. NO.	MATERIAL NO. TAPE MOUNTED	ENG. NO. TAPE MOUNTED	MATERIAL NO. STRIP MOUNTED	ENG. NO. STRIP MOUNTED	AWG	COLOR	MWID	"L" ±.015/.381	"E" ±.015/.381	"C" DIA ±.015/.381	"G" ±.015/.381	"H" ±.015/.381
190060001	AA-5220	190060003	AA-5220T	190060004	AA-5220Z	22-18	RED	.150/3.81	.620/15.75	.512/13.00	.222/5.64	.690/17.53	.196/4.98
190060011	BB-5221	190060013	BB-5221T	190060014	BB-5221Z	16-14	BLUE	.170/4.32	.500/12.70	.242/6.15	.690/17.53	.196/4.98	
190060019	C-5211	190060020	C-5211T	190060070	C-5211Z	12-10	YELLOW	.245/6.22	.667/16.94	.511/12.98	.311/7.90	.677/17.20	.246/6.25



## SALES DRAWING

- NOTES:
1. MATERIAL: BRASS.  
PLATING: ELECTROPLATE TIN.
  2. INSULATION: NYLON.
  3. MWID=MAXIMUM WIRE INSULATION DIA.
  4. ALL DIMENSIONS IN INCHES (MM).

EC NO: ETC2004-0126 DRWN: DMYRICK 2004/01/06 CHKD: SBEITZEL 2004/01/06 APPR: RDEROSS 2004/01/07	QUALITY SYMBOLS ▽ - 0 ∇ - 0	GENERAL TOLERANCES (UNLESS SPECIFIED)		SCALE NTS	DESIGN UNITS INCH	THIRD ANGLE PROJECTION	REVISE ON CAD ONLY		
		mm	INCH	DIMENSION STYLE IN/MM					
		4 PLACES ± --- ± ---	3 PLACES ± --- ± .005	2 PLACES ± 0.13 ± .01	1 PLACE ± 0.25 ± ---	DRAWN BY DMYRICK	DATE 03/12/26	AVIKRIMP FLAG FULLY INSULATED .250 TAB WIDTH	
		ANGULAR ±1/2° DRAFT WHERE APPLICABLE MUST REMAIN WITHIN DIMENSIONS				CHECKED BY SBEITZEL	DATE 03/12/26	MOLEX INCORPORATED	
B	REV	THIS DRAWING CONTAINS INFORMATION THAT IS PROPRIETARY TO MOLEX INCORPORATED AND SHOULD NOT BE USED WITHOUT WRITTEN PERMISSION		APPROVED BY RDEROSS	DATE 03/12/26	MATERIAL NO. (SEE CHART)	DOCUMENT NO. SD-19006-001	SHEET NO. 1 OF 1	