



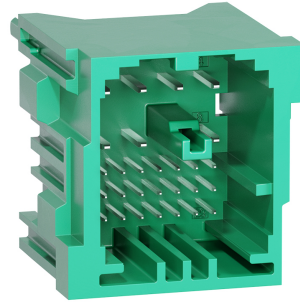
产品编号：[2005010282](#)

Product Description：[stAK50h Vertical Hybrid Header, 28 Circuits, Key 2, Green, Tube](#)

系列号：[200501](#)

状态：[Active](#)

Product Category：[PCB Headers and Receptacles](#)



文件和资源

图纸

[图纸 2005010282_sd.pdf](#)

[包装设计图 2005058100-000.pdf](#)

3D 模型和设计文件

[3D模型 2005010282_stp.zip](#)


规格

[产品规格 2005060001-PS-000.pdf](#)

[测试摘要 2005010280-TS-000.pdf](#)

产物环境合规

合规

GADSL/IMDS	Duty-To-Declare
China RoHS	
EU ELV	Compliant per 2000/53/EC
Low-Halogen Status	Low-Halogen per IEC 61249-2-21
REACH SVHC	Not Contained per D(2023)3788-DC (14 Jun 2023)
EU RoHS	Compliant per EU 2015/863

多部分产品合规性声明

- Eu RoHS
- REACH SVHC
- Low-Halogen

多部分行业合规性文件

- IPC 1752A Class C

- IPC 1752A Class D
- Molex Product Compliance Declaration
- IEC-62474
- chemSHERPA (xml)

欧盟 RoHS 合格证书

产品详情

常规

状态	活动
类别	PCB Headers and Receptacles
系列	200501
说明	stAK50h Vertical Hybrid Header, 28 Circuits, Key 2, Green, Tube
应用	Automotive, Power, Signal, Wire-to-Board
元件类型	PCB Header
产品系列	stAK50h Connection System
产品名称	stAK50h
UPC	889056679541

电气

每触点最大电流	12.0A, 5.0A
电压 - 最大	14V DC

物理

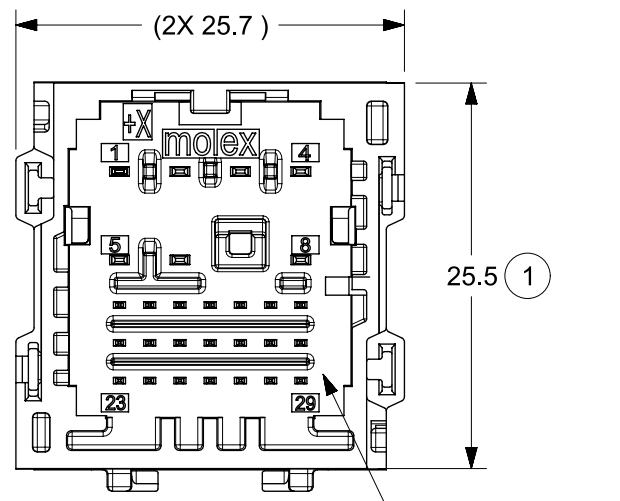
断开	否
回路数 (已载入)	28
电路数 (最多)	28
颜色-树脂	绿色
耐用性(插拔次数) - 最多次数	10
先接后断	否
符合灼热丝规范	否
可配插产品指南	是
插接极性	是
锁定插接部位	是
材料 - 金属	Copper Alloy

材料 - 接合部位电镀	Tin
材料 - 终端电镀	Tin
材料 - 树脂	SPS
净重	6.670/g
行数	5
方向	垂直
包装形式	Tube
PCB 定位器	是
PCB 保持力	无
推荐的 PCB 厚度	1.60mm
间距 - 插配接口	2.00mm, 4.00mm
间距 - 终端界面	2.00mm, 4.00mm
有极性的插配件	是
PCB 极性	是
有护墙的	是
可堆叠的	是
运行温度范围	-40° to +105° C LV-214, -40° to +85° C GMW3191 June2012
终端界面类型	Through Hole

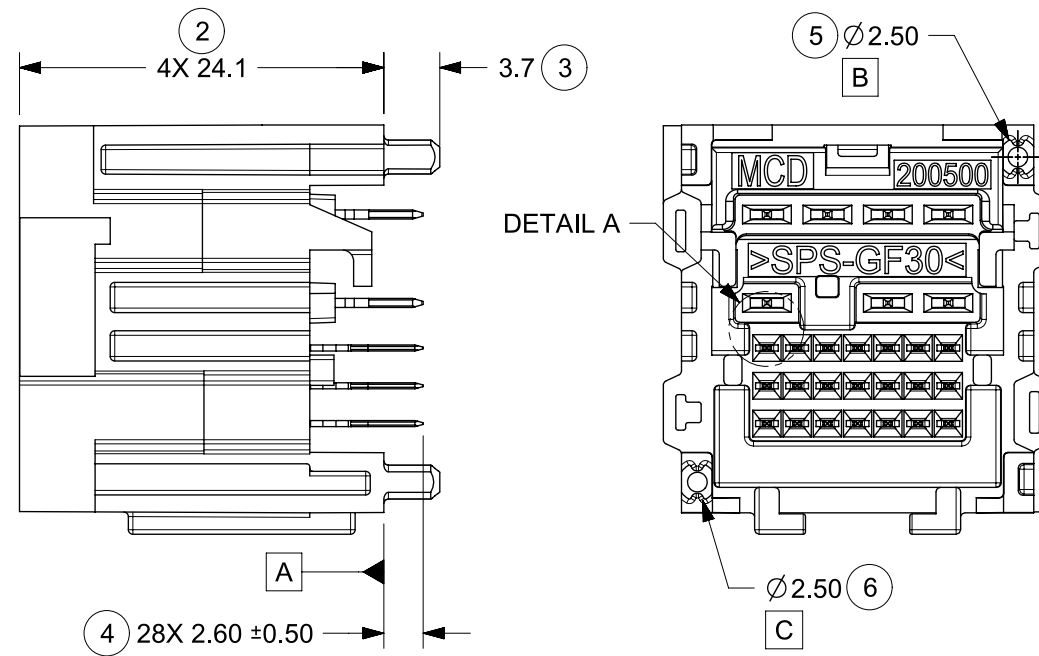
可配插/可连接使用的产品

可配插部件

描述	产品编号
stAK50h Hybrid Receptacle, 28 Circuits, Key 2, Light Green, Bag	<u>1600140012</u>

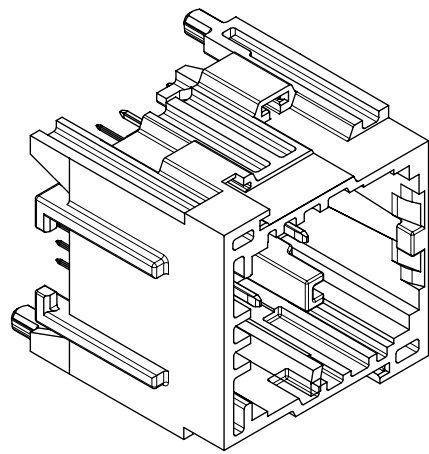


KEY 1
PART NO. 2005010281



PART NUMBER TUBE PACKAGING 2005058100	PART NUMBER TRAY PACKAGING 2005053013-PK	KEY	COLOR	TERMINAL QUANTITIES	
				0.5mm	1.2mm
2005010281	2005011281	1	DARK GRAY	21	7
2005010282	2005011282	2	GREEN		
2005010283	2005011283	3	GRAY		
2005010284	2005011284	4	BLACK		

FOUR (4) KEYS AVAILABLE
SEE INTERFACE DRAWING
SD-160014-002 FOR DEFINITION



NOTES: VALID UNLESS OTHERWISE SPECIFIED

1. GENERAL:

- a. APPLICATION SPECIFICATION 2005060000-AS
- b. PRODUCT SPECIFICATION 2005060001-PS
CLASSIFICATIONS T1V1S1 TO GMW 3191 2012
DEGREE OF PROTECTION IP40 TO ISO 20653 WITH MOLEX MATING CONNECTOR
- c. PACKAGING SPECIFICATION PER MOLEX DRAWING

2. DESIGN - MATERIALS:

- a. HOUSING: SPS 30% GF
- b. BLADE TERMINALS:
 - 1. 0.5MM BLADES
BASE MATERIAL: COPPER ALLOY
CONDUCTIVITY ≥ 28% IACS @ 20°C
UNDERPLATE: OVERALL NICKEL
OVERPLATE: OVERALL TIN
 - 2. 1.2MM BLADES
BASE MATERIAL: COPPER ALLOY
CONDUCTIVITY ≥ 28% IACS @ 20°C
UNDERPLATE: OVERALL NICKEL
OVERPLATE: OVERALL TIN

3. DESIGN - GEOMETRY:

- a. ALL GRAPHIC DATA IS BASIC (NO TOLERANCE) AND MUST BE TAKEN FROM THE DATA FILE AT ITS LATEST REVISION.
- b. PRODUCT DESIGN MODEL NUMBER 2005010280
- c. GEOMETRIC DIMENSIONS AND TOLERANCES PER ASME Y14.5-2009
- d. EDGES AND UNDIMENSIONED DETAILS PER ISO13715
- e. CORNERS SHOWN AS SHARP TO BE R 0.4 MAX.
- f. LETTERING SHALL BE MAX POSSIBLE FOR READABILITY.
THIS INCLUDES RECYCLING CODE, CAVITY ID, VENDOR IDENTIFICATION, AND CUSTOMER MATERIAL NUMBER.
- g. FOR BAY/POCKET DEFINITION SEE MOLEX INTERFACE DRAWING SD-160014-002
- h. MATING HARNESS CONNECTORS MOLEX PN:
1600140011 (KEY 1)
1600140012 (KEY 2)
1600140013 (KEY 3)
1600140014 (KEY 4)

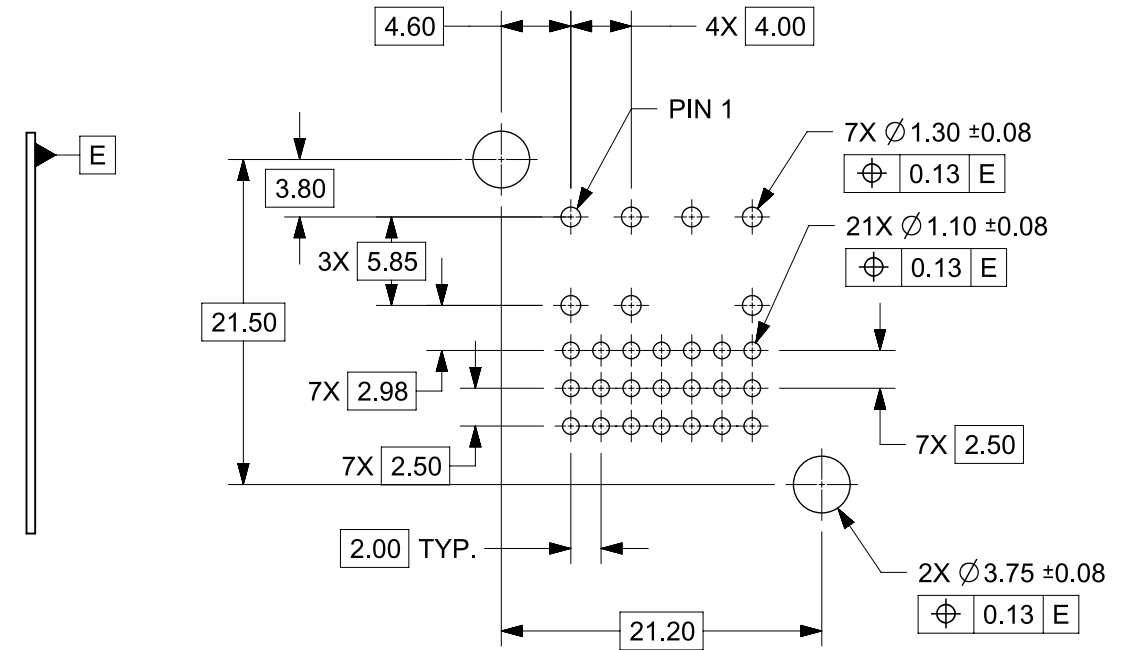
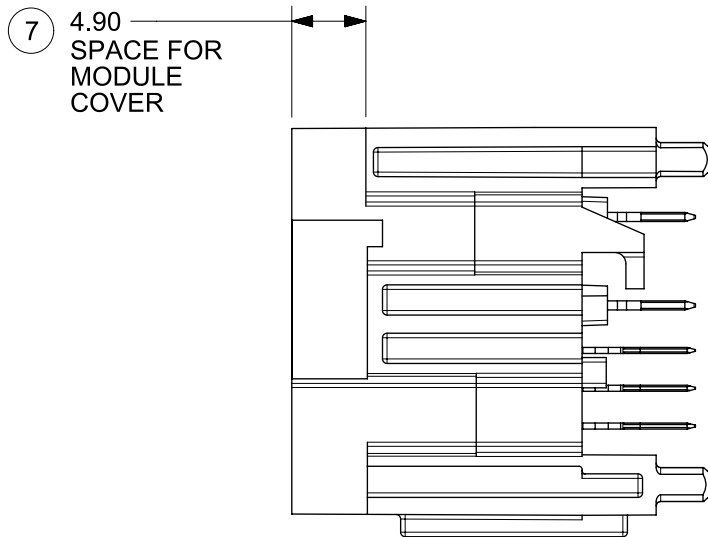
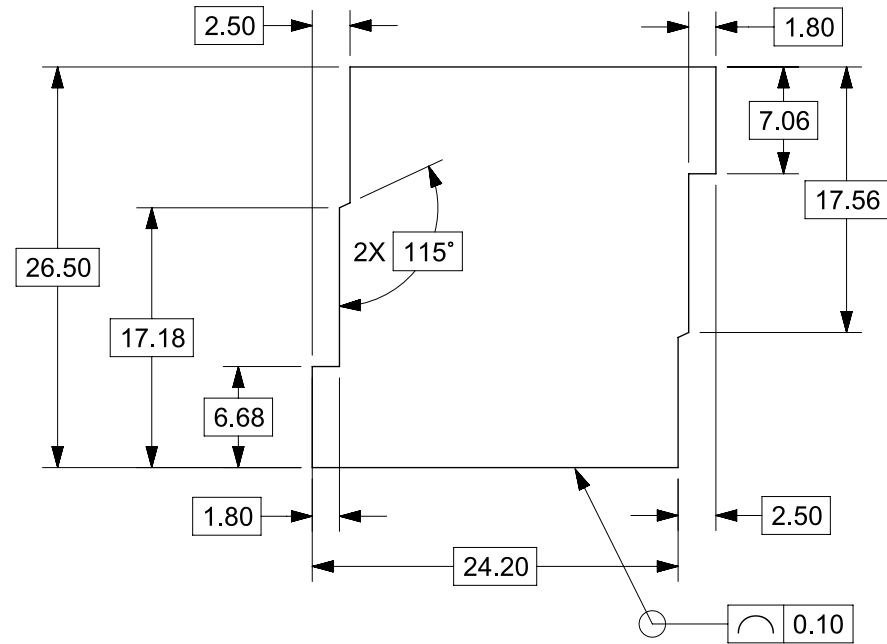
4. DESIGN - MANUFACTURING:

- a. VISUAL DEFECTS SHALL MEET COSMETIC STANDARD PS-45499-002 (CLASS B)
- b. REFLOW SOLDERABILITY PER SMES-152

INSPECTION BALLOON NUMBER LOG
PER DRAWING REVISION: D
LAST BALLOON NUMBER: 11B
ADDED BALLOON NUMBER: NONE
DELETED BALLOON NUMBER: NONE

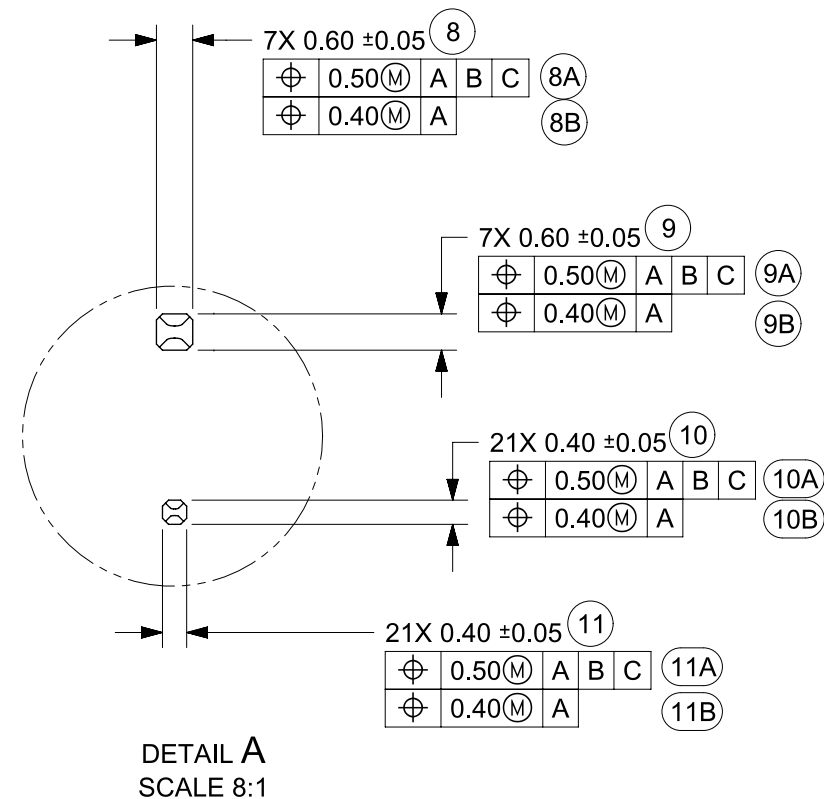
FUNCTIONAL SYMBOLS										THIS DRAWING CONTAINS INFORMATION THAT IS PROPRIETARY TO MOLEX ELECTRONIC TECHNOLOGIES, LLC AND SHOULD NOT BE USED WITHOUT WRITTEN PERMISSION									
DIMENSION UNITS					SCALE					CURRENT REV DESC: SEE REVISION TABLE									
mm					2:1					<div style="text-align: center;">molex</div> STAK50H MOD HDR 28 VERTICAL SINGLE ASM									
GENERAL TOLERANCES (UNLESS SPECIFIED)																			
ANGULAR TOL ± 0.5°																			
4 PLACES ± 0.00050																			
DIVISIONAL SYMBOLS					3 PLACES ± 0.0050					STATUS: Production					2023-10-03				
2 PLACES ± 0.050					1 PLACE ± 0.10					DRWN: Praveen Kumar S					2023-10-26				
1 PLACE ± 0.10					0 PLACES ± 1.00					CHK'D: Kun Du					2023-10-27				
0 PLACES ± 1.00					DRAFT WHERE APPLICABLE MUST REMAIN WITHIN DIMENSIONS					THIRD ANGLE PROJECTION					DRAWING SERIES				
										B-SIZE					200501				
DOCUMENT NUMBER										2005011280SD									
DOC TYPE										PSD									
DOC PART										000									
REVISION										D									
MATERIAL NUMBER										CUSTOMER									
SHEET NUMBER										1 OF 2									

RECOMMENDED MODULE OPENING
TO PASS ISO 20653 IP40



PCB LAYOUT
FOR REFERENCE

FOR SINGLE-BAY HEADER ONLY
FOR MULTIPLE-BAY STACKED HEADER SEE DRAWING 2005050000



D	UPDATED THE PACKAGING DETAILS
C1	ADDED PCB HOLE DIMENSIONAL & POSITIONAL TOLERANCE 10-JUNE-2020 YPENG47 ECN:639277
REVISION	DESCRIPTION

THIS DRAWING CONTAINS INFORMATION THAT IS PROPRIETARY TO MOLEX ELECTRONIC TECHNOLOGIES, LLC AND SHOULD NOT BE USED WITHOUT WRITTEN PERMISSION											
FUNCTIONAL SYMBOLS	DIMENSION UNITS	SCALE	CURRENT REV DESC: SEE REVISION TABLE								
∇/A = 0	mm	1:1	<div style="text-align: center;">molex</div> <p>STAK50H MOD HDR 28 VERTICAL SINGLE ASM</p> <p>PRODUCT SALES DRAWING</p>								
∇/E = 0	GENERAL TOLERANCES (UNLESS SPECIFIED)										
∇/V = 0	ANGULAR TOL ± 0.5°										
	4 PLACES ± 0.00050										
DIVISIONAL SYMBOLS	3 PLACES ± 0.0050		STATUS: Production		2023-10-03		DOCUMENT NUMBER		DOC TYPE	DOC PART	REVISION
	2 PLACES ± 0.050		DRWN: Praveen Kumar S		2023-10-26		2005011280SD		PSD	000	D
	1 PLACE ± 0.10		CHK'D: Kun Du		2023-10-27		MATERIAL NUMBER		CUSTOMER		
	0 PLACES ± 1.00		APPR: Ringo Hu		2023-10-27		SERIES		SHEET NUMBER		
DRAFT WHERE APPLICABLE MUST REMAIN WITHIN DIMENSIONS			THIRD ANGLE PROJECTION		DRAWING		200501		2 OF 2		