



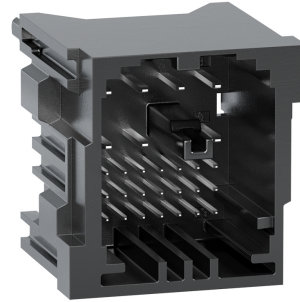
产品编号 : [2005010284](#)

Product Description : stAK50h Vertical Hybrid Header, 28 Circuits, Key 4, Black, Tube

系列号 : 200501

状态 : Active

Product Category : PCB Headers and Receptacles



文件和资源

图纸

[图纸 2005010284_sd.pdf](#)

[包装设计图 2005058100-000.pdf](#)

3D 模型和设计文件

[3D模型 2005010284_stp.zip](#)


规格

[产品规格 2005060001-PS-000.pdf](#)

[测试摘要 2005010280-TS-000.pdf](#)

产物环境合规

合规

| | |
|--------------------|---|
| GADSL/IMDS | Duty-To-Declare |
| China RoHS |  |
| EU ELV | Compliant per 2000/53/EC |
| Low-Halogen Status | Low-Halogen per IEC 61249-2-21 |
| REACH SVHC | Not Contained per D(2023)3788-DC (14 Jun 2023) |
| EU RoHS | Compliant per EU 2015/863 |

多部分产品合规性声明

- Eu RoHS
- REACH SVHC
- Low-Halogen

多部分行业合规性文件

- IPC 1752A Class C

- IPC 1752A Class D
- Molex Product Compliance Declaration
- IEC-62474
- chemSHERPA (xml)

欧盟 RoHS 合格证书

产品详情

常规

| | |
|------|---|
| 状态 | 活动 |
| 类别 | PCB Headers and Receptacles |
| 系列 | 200501 |
| 说明 | stAK50h Vertical Hybrid Header, 28 Circuits, Key 4, Black, Tube |
| 应用 | Automotive, Power, Signal, Wire-to-Board |
| 元件类型 | PCB Header |
| 产品系列 | stAK50h Connection System |
| 产品名称 | stAK50h |
| UPC | 889056679565 |

电气

| | |
|---------|-------------|
| 每触点最大电流 | 12.0A, 5.0A |
| 电压 - 最大 | 14V DC |

物理

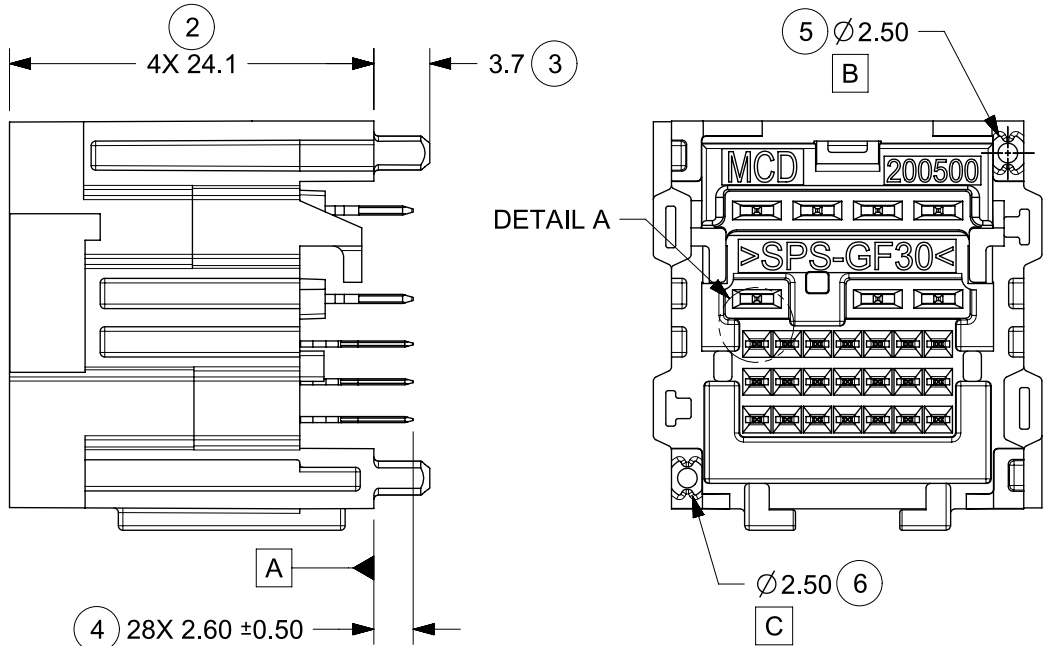
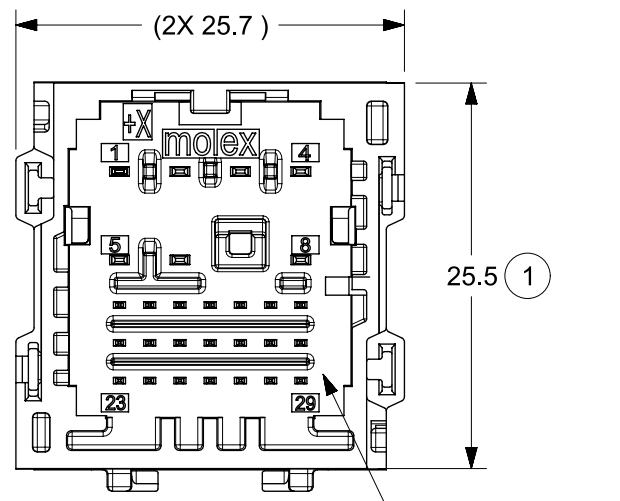
| | |
|------------------|--------------|
| 断开 | 否 |
| 回路数 (已载入) | 28 |
| 电路数 (最多) | 28 |
| 颜色-树脂 | 黑色 |
| 耐用性(插拔次数) - 最多次数 | 10 |
| 先接后断 | 否 |
| 符合灼热丝规范 | 否 |
| 可配插产品指南 | 是 |
| 插接极性 | 是 |
| 锁定插接部位 | 是 |
| 材料 - 金属 | Copper Alloy |

| | |
|-------------|---|
| 材料 - 接合部位电镀 | Tin |
| 材料 - 终端电镀 | Tin |
| 材料 - 树脂 | SPS |
| 净重 | 6.670/g |
| 行数 | 5 |
| 方向 | 垂直 |
| 包装形式 | Tube |
| PCB 定位器 | 是 |
| PCB 保持力 | 无 |
| 推荐的 PCB 厚度 | 1.60mm |
| 间距 - 插配接口 | 2.00mm, 4.00mm |
| 间距 - 终端界面 | 2.00mm, 4.00mm |
| 有极性的插配件 | 是 |
| PCB 极性 | 是 |
| 有护墙的 | 是 |
| 可堆叠的 | 是 |
| 运行温度范围 | -40° to +105° C LV-214, -40° to +85° C GMW3191 June2012 |
| 终端界面类型 | Through Hole |

可配插/可连接使用的产品

可配插部件

| 描述 | 产品编号 |
|---|-------------------|
| stAK50h Hybrid Receptacle, 28 Circuits, Key 4, Black, Bag | <u>1600140014</u> |

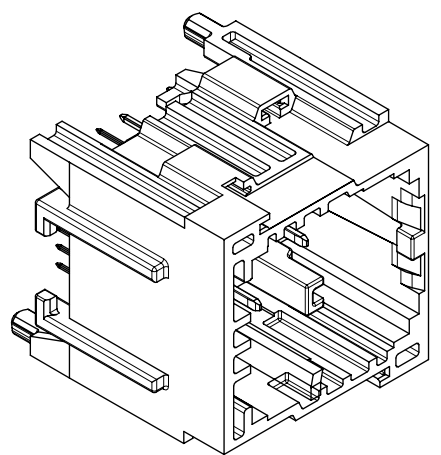


KEY 1
PART NO. 2005010281

SEE NOTE 3g

| PART NUMBER TUBE PACKAGING 2005058100 | PART NUMBER TRAY PACKAGING 2005053013-PK | KEY | COLOR | TERMINAL QUANTITIES | |
|---|--|-----|-----------|------------------------|-------|
| | | | | 0.5mm | 1.2mm |
| 2005010281 | 2005011281 | 1 | DARK GRAY | 21 | 7 |
| 2005010282 | 2005011282 | 2 | GREEN | | |
| 2005010283 | 2005011283 | 3 | GRAY | | |
| 2005010284 | 2005011284 | 4 | BLACK | | |

FOUR (4) KEYS AVAILABLE
SEE INTERFACE DRAWING
SD-160014-002 FOR DEFINITION



NOTES: VALID UNLESS OTHERWISE SPECIFIED
1. GENERAL:
a. APPLICATION SPECIFICATION 2005060000-AS
b. PRODUCT SPECIFICATION 2005060001-PS
CLASSIFICATIONS T1V1S1 TO GMW 3191 2012
DEGREE OF PROTECTION IP40 TO ISO 20653 WITH MOLEX MATING CONNECTOR
c. PACKAGING SPECIFICATION PER MOLEX DRAWING

2. DESIGN - MATERIALS:
a. HOUSING: SPS 30% GF
b. BLADE TERMINALS:
1. 0.5MM BLADES
BASE MATERIAL: COPPER ALLOY
CONDUCTIVITY ≥ 28% IACS @ 20°C
UNDERPLATE: OVERALL NICKEL
OVERPLATE: OVERALL TIN
2. 1.2MM BLADES
BASE MATERIAL: COPPER ALLOY
CONDUCTIVITY ≥ 28% IACS @ 20°C
UNDERPLATE: OVERALL NICKEL
OVERPLATE: OVERALL TIN

3. DESIGN - GEOMETRY:
a. ALL GRAPHIC DATA IS BASIC (NO TOLERANCE) AND MUST BE TAKEN FROM THE DATA FILE AT ITS LATEST REVISION.
b. PRODUCT DESIGN MODEL NUMBER 2005010280
c. GEOMETRIC DIMENSIONS AND TOLERANCES PER ASME Y14.5-2009
d. EDGES AND UNDIMENSIONED DETAILS PER ISO13715
e. CORNERS SHOWN AS SHARP TO BE R 0.4 MAX.
f. LETTERING SHALL BE MAX POSSIBLE FOR READABILITY.
THIS INCLUDES RECYCLING CODE, CAVITY ID, VENDOR IDENTIFICATION, AND CUSTOMER MATERIAL NUMBER.
g. FOR BAY/POCKET DEFINITION SEE MOLEX INTERFACE DRAWING SD-160014-002
h. MATING HARNESS CONNECTORS MOLEX PN:
1600140011 (KEY 1)
1600140012 (KEY 2)
1600140013 (KEY 3)
1600140014 (KEY 4)

4. DESIGN - MANUFACTURING:
a. VISUAL DEFECTS SHALL MEET COSMETIC STANDARD PS-45499-002 (CLASS B)
b. REFLOW SOLDERABILITY PER SMES-152

| |
|-------------------------------|
| INSPECTION BALLOON NUMBER LOG |
| PER DRAWING REVISION: D |
| LAST BALLOON NUMBER: 11B |
| ADDED BALLOON NUMBER: NONE |
| DELETED BALLOON NUMBER: NONE |

| | | | | | | | | | | | | | | | | | | | | | | | | | | | | | |
|--|--|--|--|--|------------------------|--|--|--|--|---|--|--|--|--|-----------------|--|--|--|--|-----------|--|--|--|--|--------------|--|--|--|--|
| FUNCTIONAL SYMBOLS | | | | | | | | | | THIS DRAWING CONTAINS INFORMATION THAT IS PROPRIETARY TO MOLEX ELECTRONIC TECHNOLOGIES, LLC AND SHOULD NOT BE USED WITHOUT WRITTEN PERMISSION | | | | | | | | | | | | | | | | | | | |
| DIMENSION UNITS | | | | | SCALE | | | | | CURRENT REV DESC: SEE REVISION TABLE | | | | | | | | | | | | | | | | | | | |
| mm | | | | | 2:1 | | | | | STATUS: Production DRWN: Praveen Kumar S 2023-10-03 CHK'D: Kun Du 2023-10-26 APPR: Ringo Hu 2023-10-27 | | | | | | | | | | | | | | | | | | | |
| GENERAL TOLERANCES (UNLESS SPECIFIED) | | | | | | | | | | | | | | | | | | | | | | | | | | | | | |
| ANGULAR TOL ± 0.5° | | | | | | | | | | | | | | | | | | | | | | | | | | | | | |
| 4 PLACES ± 0.00050 | | | | | | | | | | | | | | | | | | | | | | | | | | | | | |
| DIVISIONAL SYMBOLS | | | | | | | | | | 3 PLACES ± 0.0050 2 PLACES ± 0.050 1 PLACE ± 0.10 0 PLACES ± 1.00 | | | | | | | | | | | | | | | | | | | |
| DRAFT WHERE APPLICABLE MUST REMAIN WITHIN DIMENSIONS | | | | | THIRD ANGLE PROJECTION | | | | | DRAWING | | | | | SERIES | | | | | | | | | | | | | | |
| | | | | | B-SIZE | | | | | 200501 | | | | | MATERIAL NUMBER | | | | | CUSTOMER | | | | | SHEET NUMBER | | | | |
| | | | | | | | | | | | | | | | 2005011280SD | | | | | PSD 000 D | | | | | 1 OF 2 | | | | |

molex

STAK50H MOD HDR 28 VERTICAL SINGLE ASM

PRODUCT SALES DRAWING

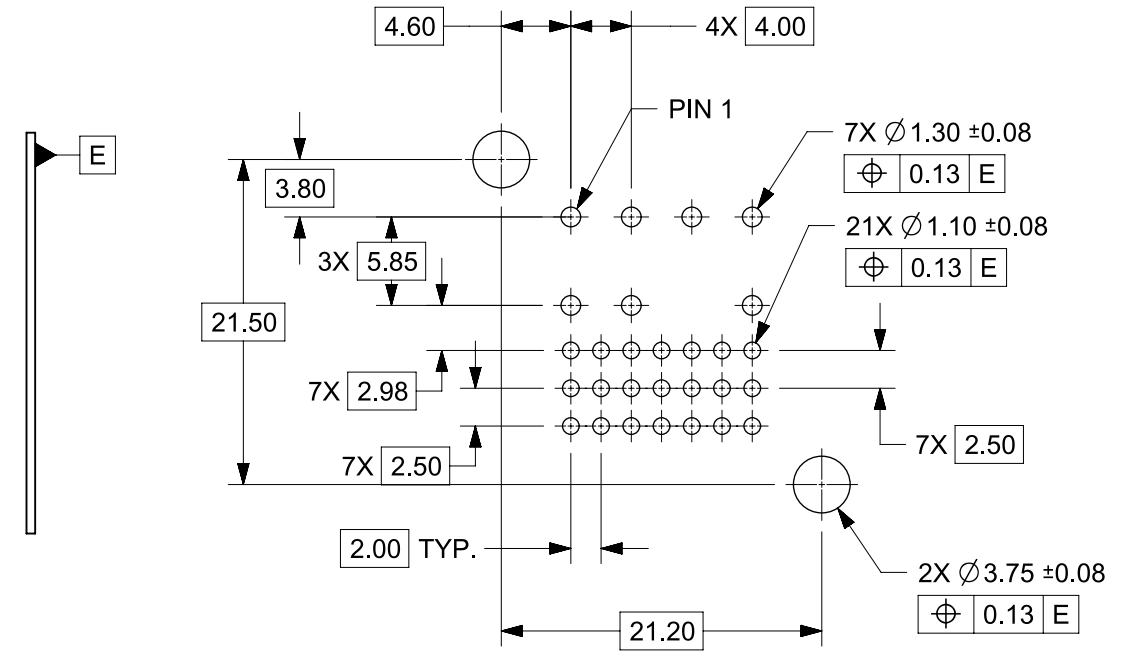
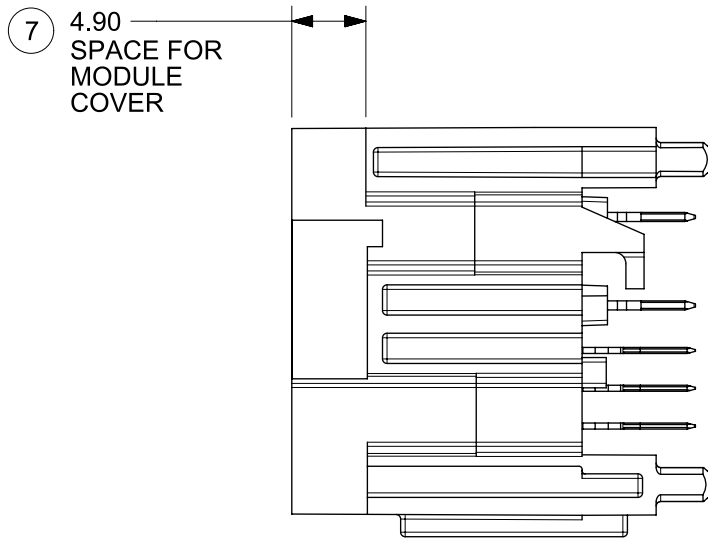
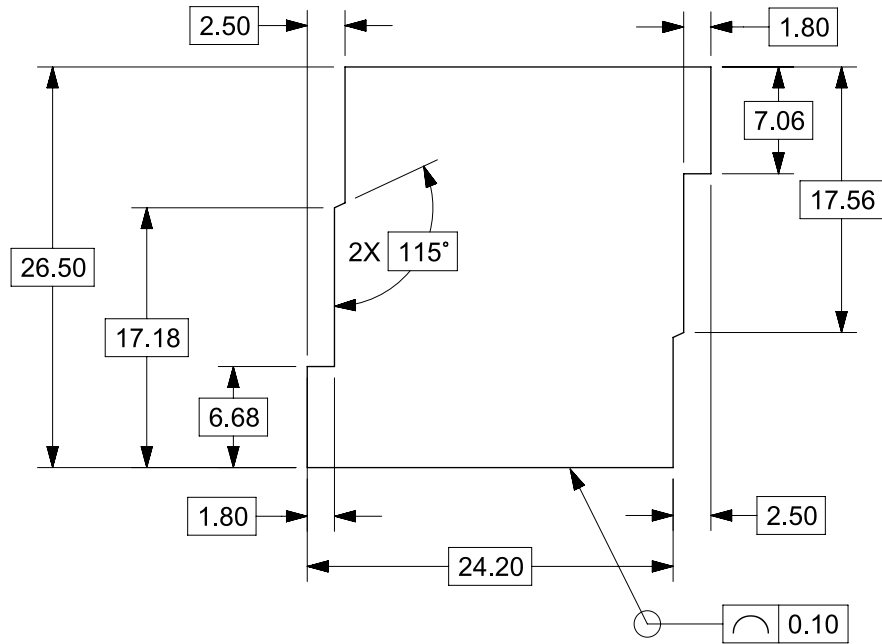
DOCUMENT NUMBER DOC TYPE DOC PART REVISION

2005011280SD PSD 000 D

MATERIAL NUMBER CUSTOMER SHEET NUMBER

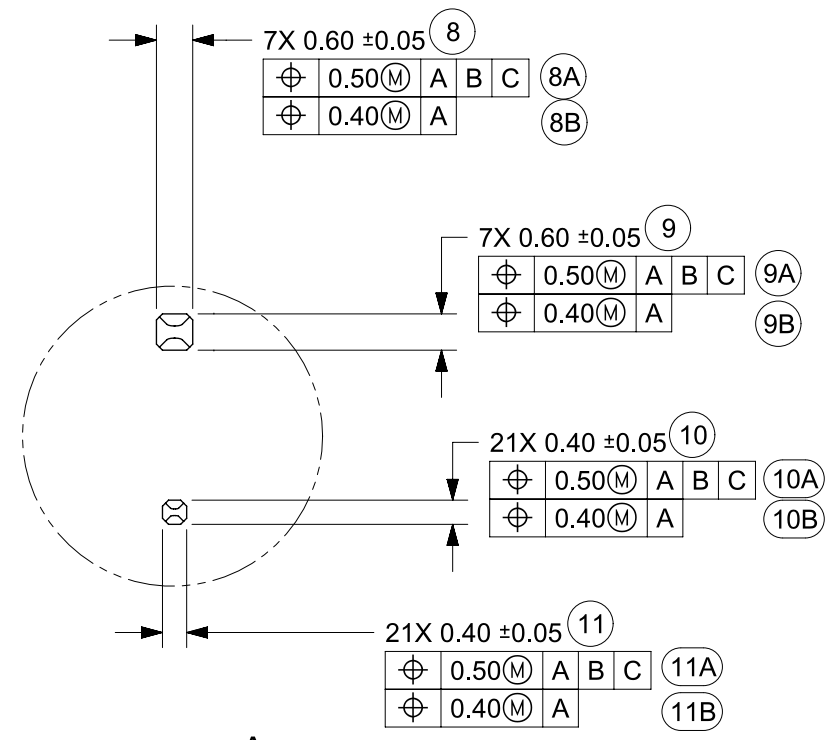
1 OF 2

RECOMMENDED MODULE OPENING
TO PASS ISO 20653 IP40



PCB LAYOUT
FOR REFERENCE

FOR SINGLE-BAY HEADER ONLY
FOR MULTIPLE-BAY STACKED HEADER SEE DRAWING 2005050000



DETAIL A
SCALE 8:1

| REVISION | DESCRIPTION |
|----------|--|
| D | UPDATED THE PACKAGING DETAILS |
| C1 | ADDED PCB HOLE DIMENSIONAL & POSITIONAL TOLERANCE 10-JUNE-2020 YPENG47 ECN:639277 |

| | | | | | | | | | |
|---|---------------------------------------|-------|---|---------|------------|--|--|--|--|
| THIS DRAWING CONTAINS INFORMATION THAT IS PROPRIETARY TO MOLEX ELECTRONIC TECHNOLOGIES, LLC AND SHOULD NOT BE USED WITHOUT WRITTEN PERMISSION | | | | | | | | | |
| FUNCTIONAL SYMBOLS | DIMENSION UNITS | SCALE | CURRENT REV DESC: SEE REVISION TABLE | | | | | | |
| $\sqrt{A} = 0$ | mm | 1:1 | <p>molex</p> <p>STAK50H MOD HDR 28 VERTICAL SINGLE ASM</p> <p>PRODUCT SALES DRAWING</p> <p>DOCUMENT NUMBER: 2005011280SD DOC TYPE: PSD DOC PART: 000 REVISION: D</p> <p>MATERIAL NUMBER: 200501 CUSTOMER: SHEET NUMBER: 2 OF 2</p> | | | | | | |
| $\sqrt{E} = 0$ | GENERAL TOLERANCES (UNLESS SPECIFIED) | | | | | | | | |
| $\sqrt{V} = 0$ | ANGULAR TOL $\pm 0.5^\circ$ | | | | | | | | |
| DIVISIONAL SYMBOLS | 4 PLACES ± 0.00050 | | | | | | | | |
| | 3 PLACES ± 0.0050 | | STATUS: Production | | 2023-10-03 | | | | |
| | 2 PLACES ± 0.050 | | DRWN: Praveen Kumar S | | 2023-10-26 | | | | |
| | 1 PLACE ± 0.10 | | CHK'D: Kun Du | | 2023-10-27 | | | | |
| | 0 PLACES ± 1.00 | | APPR: Ringo Hu | | | | | | |
| DRAFT WHERE APPLICABLE MUST REMAIN WITHIN DIMENSIONS | | | THIRD ANGLE PROJECTION | DRAWING | SERIES | | | | |
| | | | | B-SIZE | 200501 | | | | |