



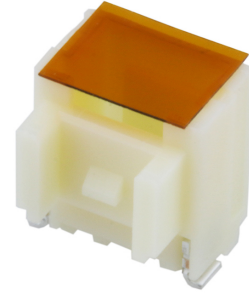
产品编号：[2035600303](#)

Product Description : 1.00mm Pitch, Pico-Clasp PCB Header, Single Row, Vertical, Surface Mount, 0.38µm Gold Plated, Outer Positive Lock, 3 Circuits, Natural

系列号：203560

状态：Active

Product Category : PCB Headers and Receptacles



文件和资源

图纸

[图纸 2035600303_sd.pdf](#)

3D 模型和设计文件

[3D模型 2035600303_stp.zip](#)

规格

[应用规格 5013300000-AS-000.pdf](#)

[包装规格 2035609200-200.pdf](#)

[产品规格 5019390000-PS-001.pdf](#)

[产品规格 5019391000-PS-001.pdf](#)

[产品规格 5019391000-PS-CHI-001.pdf](#)

[产品规格 5019391000-PS-JAP-001.pdf](#)

产物环境合规

合规

| | |
|--------------------|------------------------------------------------|
| GADSL/IMDS | Compliant with Exemption 44; 33 |
| China RoHS | |
| EU ELV | Not Relevant |
| Low-Halogen Status | Not Low-Halogen per IEC 61249-2-21 |
| REACH SVHC | Not Contained per D(2023)3788-DC (14 Jun 2023) |
| EU RoHS | Compliant per EU 2015/863 |

[多部分产品合规性声明](#)

- Eu RoHS

- REACH SVHC

- Low-Halogen

多部分行业合规性文件

- IPC 1752A Class C

- IPC 1752A Class D

- Molex Product Compliance Declaration

- IEC-62474

- chemSHERPA (xml)

欧盟 RoHS 合格证书

产品详情

常规

| | |
|------|----------------------------------------------------------------------------------------------------------------------------------------|
| 状态 | 活动 |
| 类别 | PCB Headers and Receptacles |
| 系列 | 203560 |
| 说明 | 1.00mm Pitch, Pico-Clasp PCB Header, Single Row, Vertical, Surface Mount, 0.38µm Gold Plated, Outer Positive Lock, 3 Circuits, Natural |
| 应用 | Signal, Wire-to-Board |
| 元件类型 | PCB Header |
| 产品系列 | Pico-Clasp Wire-to-Board Connectors |
| 产品名称 | Pico-Clasp |
| UPC | 191128171113 |

电气

| | |
|---------|------------------|
| 每触点最大电流 | 1.5A |
| 电压 - 最大 | 100V AC (RMS)/DC |

物理

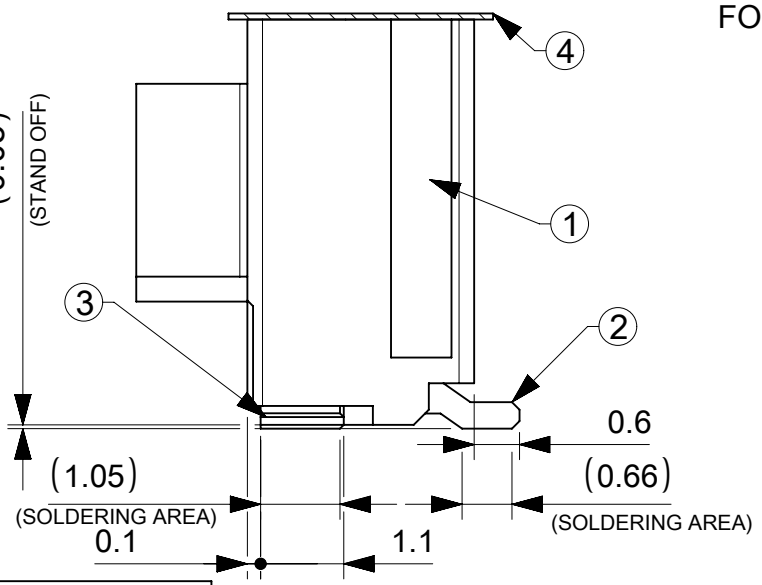
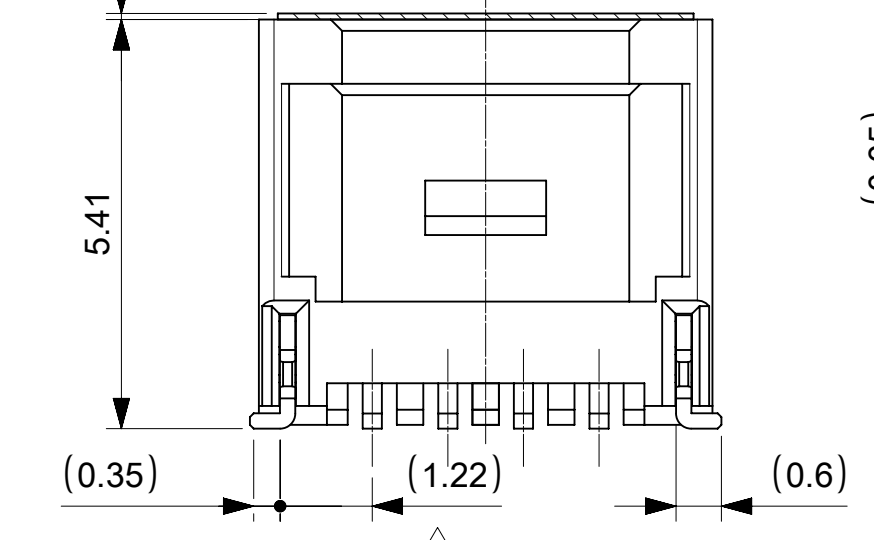
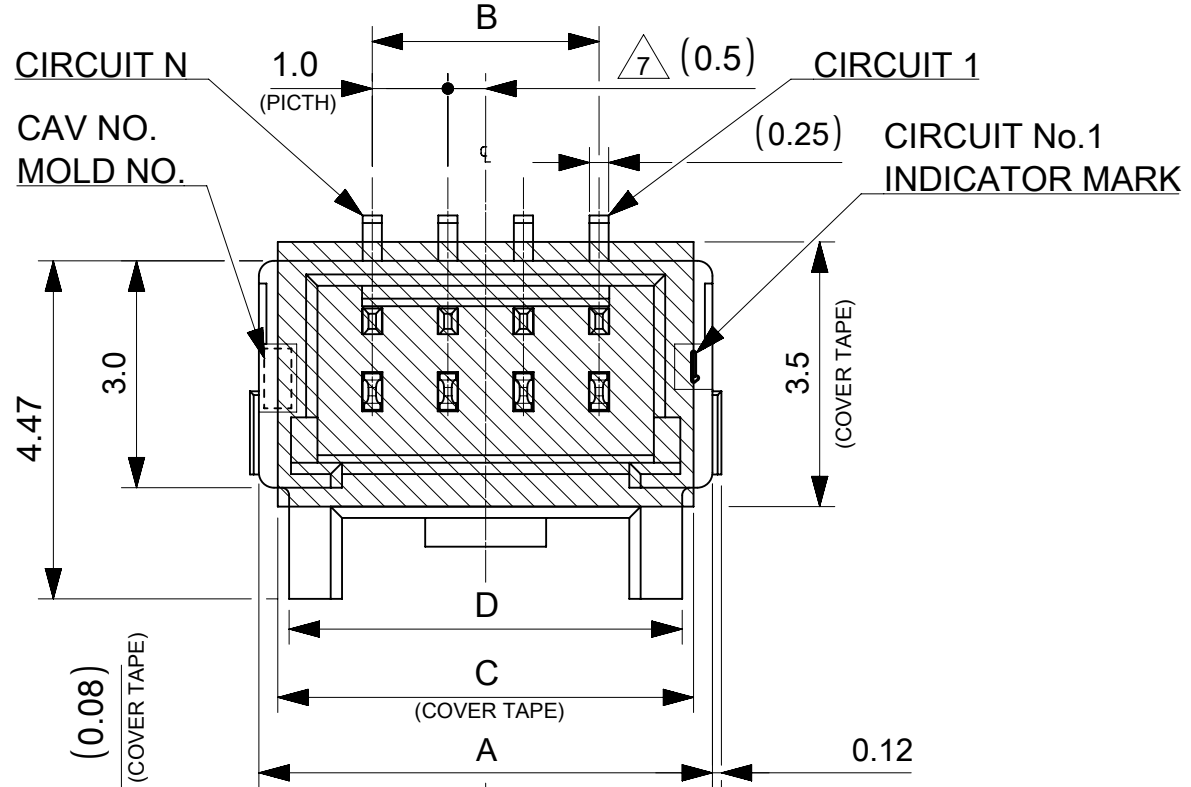
| | |
|------------------|---------|
| 断开 | 否 |
| 回路数 (已载入) | 3 |
| 电路数 (最多) | 3 |
| 颜色-树脂 | Natural |
| 耐用性(插拔次数) - 最多次数 | 30 |

| | |
|-------------|-----------------------|
| 先接后断 | 否 |
| 符合灼热丝规范 | 否 |
| 可配插产品指南 | 否 |
| 插接极性 | 无 |
| 锁定插接部位 | 是 |
| 材料 - 金属 | Phosphor Bronze |
| 材料 - 接合部位电镀 | 金牌 |
| 材料 - 终端电镀 | 金牌 |
| 材料 - 树脂 | Polyamide |
| 净重 | 104.690/mg |
| 行数 | 1 |
| 方向 | 垂直 |
| 包装形式 | Embossed Tape on Reel |
| PCB 定位器 | 否 |
| PCB 保持力 | 是 |
| 间距 - 插配接口 | 1.00mm |
| 最薄镀层 - 接合部位 | 0.380µm |
| 最薄镀层 - 端接 | 0.051µm |
| 有极性的插配件 | 是 |
| PCB 极性 | 否 |
| 有护墙的 | Fully |
| 可堆叠的 | 否 |
| 运行温度范围 | -40° to +105° C |
| 终端界面类型 | Surface Mount |

可配插/可连接使用的产品

可配插部件

| 描述 | 产品编号 |
|---------------------------------------------------------------------|---------------|
| 1.00mm Pitch, Pico-Clasp Low-Halogen Single Row Receptacle Housings | <u>501939</u> |

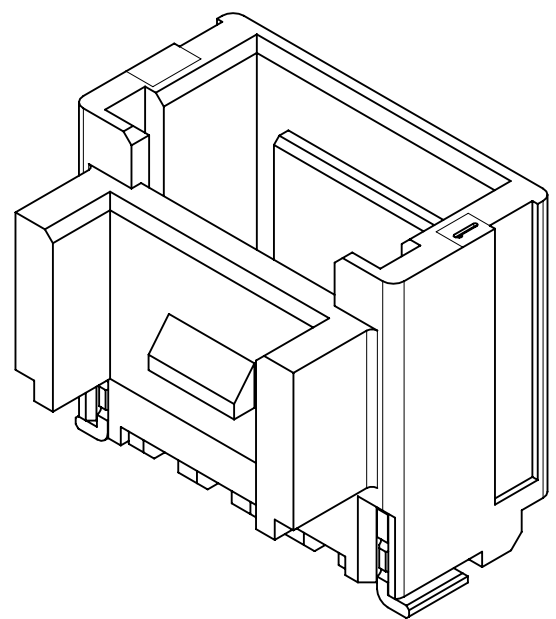


NOTES

- 1. 材料及び仕上げ(めっき仕様) : TABLE 1 参照
MATERIAL AND FINISHES : SEE TABLE 1
- 2. 製品仕様書 : 5019390000-PS 000
PRODUCT SPECIFICATION:
- 3. 梱包形態 : SEE SHEET 3
PACKAGING INFORMATION:
- 4. 嵌合相手 : 501939 シリーズ
MATES WITH:501939 SERIES
- 5. アプリケーション仕様書(コネクタ取扱い説明書) : 5013300000-AS A00(JAPANESE)/A01(ENGLISH)
APPLICATION SPECIFICATION(CONNECTOR MANUAL):
- 6. ソルダーピン及びネイルの平坦度:0.1 MAX
SOLDER PIN AND NAIL COPLANARITY: 0.1 MAX
- 7. 偶数極に適用
APPLY FOR EVEN CIRCUIT
- 8. その他金めっき厚品及び錫めっき品は以下の図面を御参照下さい。
PLEASE REFER TO THE FOLLOWING DRAWING FOR OTHER GOLD PLATING VERSION AND TIN PLATING VERSION.

| PLATING | PLATING THICKNESS [micro-meter MIN] | SERIES No | DRAWING No |
|---------|-------------------------------------|-------------|-----------------------|
| TIN | 1.0 | 501940 **07 | 5019400000-SD PSD 000 |
| GOLD | 0.1 | 501940 **03 | 5019400001-SD PSD 000 |
| | 0.76 | 203561 **03 | 2035610000-SD PSD 000 |

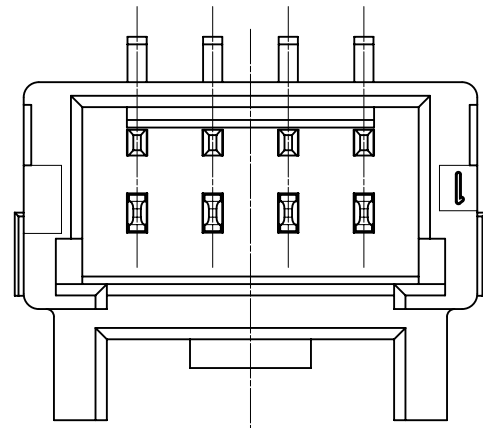
| 番号 NO | 部品 PART | 材質 MATERIAL | |
|-------|-------------------|------------------------------------------------------------------------------------|-------------------------------------------------|
| 1 | ウエハー WAFER | ポリアミド(PA), UL94V-0, 色 : SEE SHEET 5 POLYAMIDE(PA), UL94V-0, COLOR : SEE SHEET 5 | |
| 2 | ソルダーピン SOLDER PIN | リン青銅 PHOSPHOR BRONZE | |
| | | 接点部 CONTACT AREA | 金めっき : 0.38 MICRO-METER MIN GOLD PLATING |
| | | テール部 TAIL AREA | 金めっき : 0.1 MICRO-METER MIN GOLD PLATING |
| 3 | ネイル NAIL | リン青銅 PHOSPHOR BRONZE | |
| | | テール部 TAIL AREA | 錫めっき : 1.0 MICRO-METER MIN MATTE TIN PLATING |
| | | 下地めっき UNDER PLATING | ニッケルめっき : 1.0 MICRO-METER MIN NICKEL |
| 4 | カバーテープ COVER TAPE | ポリイミドテープ POLYIMIDE TAPE | |



| | | | | |
|-----|-----|-----|-----|--------------------|
| 5.2 | 6.5 | 4.0 | 7.0 | 5 |
| | 5.5 | 3.0 | 6.0 | 4 |
| 4.2 | 4.5 | 2.0 | 5.0 | 3 |
| D | C | B | A | 極数 CIRCUIT SIZE |

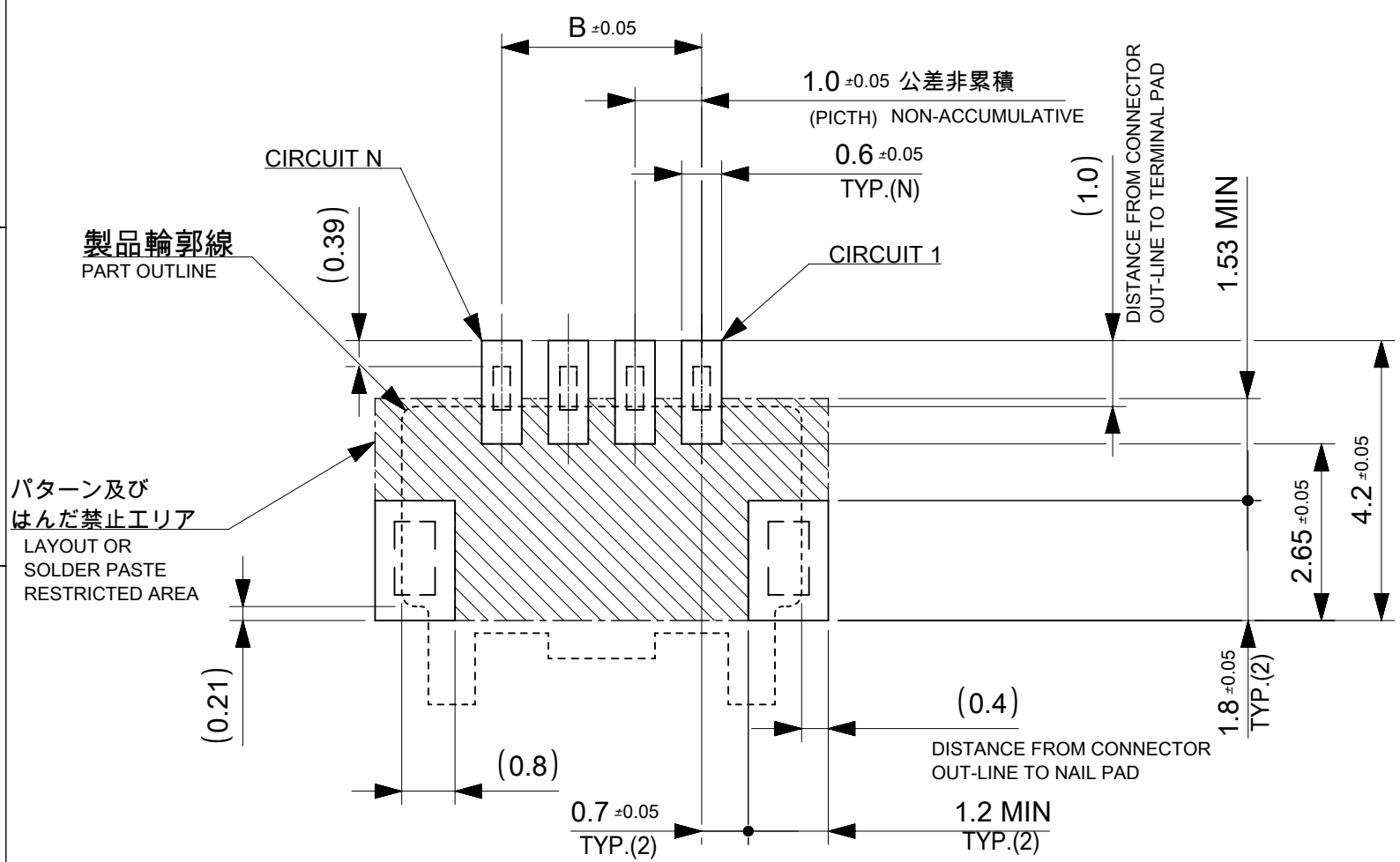
THIS DRAWING CONTAINS INFORMATION THAT IS PROPRIETARY TO MOLEX ELECTRONIC TECHNOLOGIES, LLC AND SHOULD NOT BE USED WITHOUT WRITTEN PERMISSION

| | | | | | |
|------------------------------------------------------|---------|-----------------------------|-------------------------------------------------------------------------------------|--|--|
| DIMENSION UNITS | SCALE | CURRENT REV DESC: | molex | | |
| mm | NTS | | | | |
| GENERAL TOLERANCES (UNLESS SPECIFIED) | | | PICO-CLASP 1.0 W/B SINGLE ROW VT SMT OUTER LOCK GOLD PLATING 0.38 MICRO-METER | | |
| ANGULAR TOL | ± 3.0 ° | EC NO: 635683 | PRODUCT CUSTOMER DRAWING | | |
| 4 PLACES | ± 0.2 | DRWN: MIKEDA01 2020/04/10 | DOCUMENT NUMBER | | |
| 3 PLACES | ± 0.2 | CHK'D: SAKIYAMA 2020/05/13 | DOC TYPE | | |
| 2 PLACES | ± 0.2 | APPR: KOMURAKAMI 2020/05/14 | DOC PART | | |
| 1 PLACE | ± 0.2 | INITIAL REVISION: | REVISION | | |
| 0 PLACES | ± 0.2 | DRWN: AISHIKAWA 2019/04/01 | 2035600000-SD | | |
| DRAFT WHERE APPLICABLE MUST REMAIN WITHIN DIMENSIONS | | | PSD 000 B | | |
| THIRD ANGLE PROJECTION | | | MATERIAL NUMBER | | |
| DRAWING | | | CUSTOMER | | |
| SERIES | | | SHEET NUMBER | | |
| A3-SIZE | | | SEE SHEET 5 | | |
| 203560 | | | GENERAL | | |
| | | | 1 OF 5 | | |




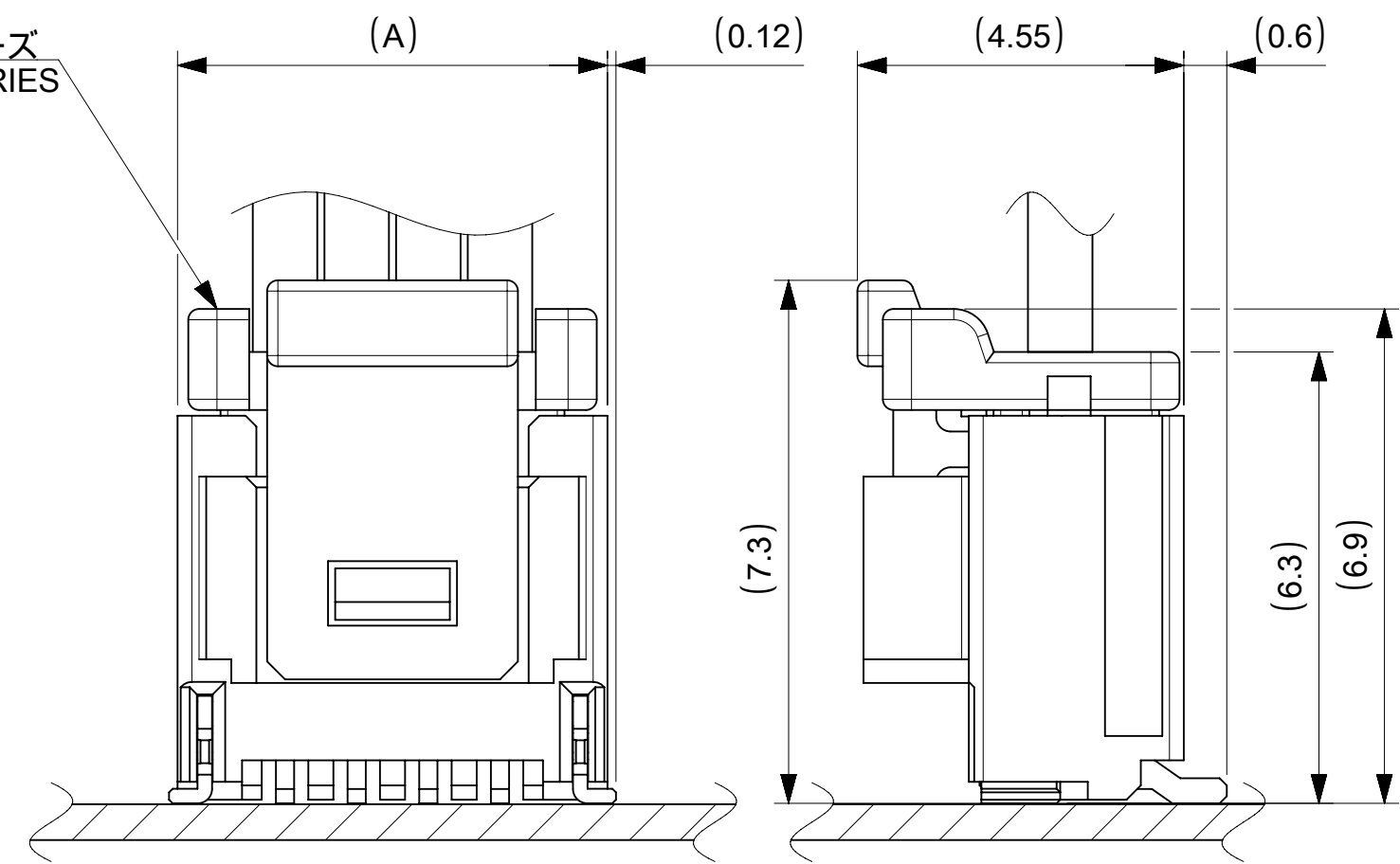
製品レイアウト
PRODUCT LAYOUT

△ 4 嵌合相手 : 501939 シリーズ
MATE WITH : 501939 SERIES

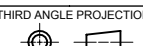


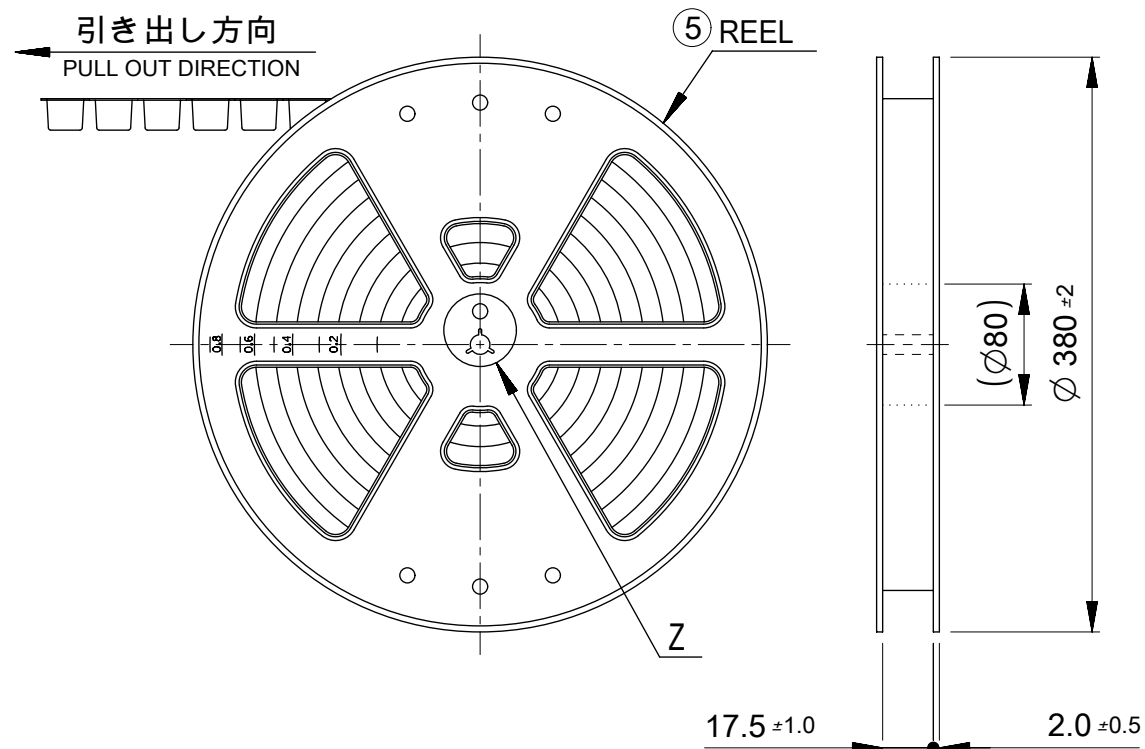
推奨基板レイアウト(全極数適用) : 実装面側
(参考 : 基板厚 1.0mm, メタルマスク厚さ 0.12mm, マスク開口率100%)
POLARIZED RECOMMENDED PCB LAYOUT(APPLY TO ALL CIRCUIT) : COMPONENT SIDE
(REFERENCE: PCB THICKNESS 1.0mm, STENCIL THICKNESS 0.12mm, APERTURE RATIO 100%)

 :パターン禁止エリア
RESTRICTED AREA
NO PCB COMPONENTS ALLOWED



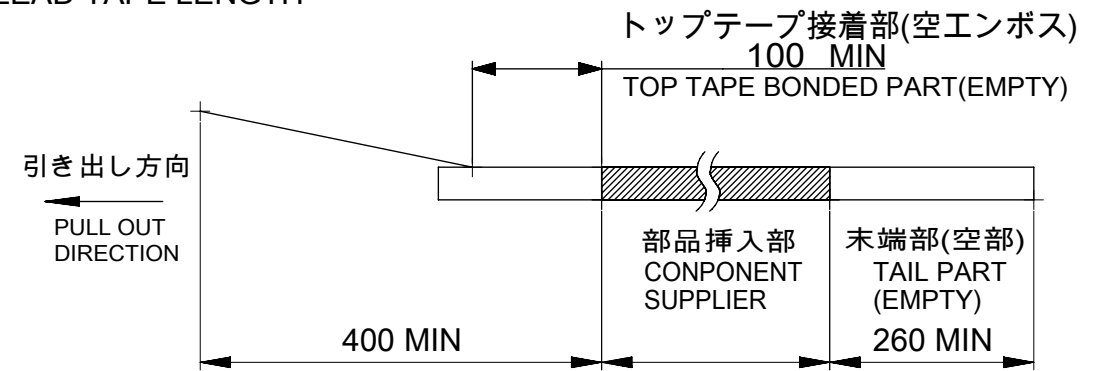
嵌合図
MATED CONNECTORS

| | | | | | |
|-----------------------------------------------------------------------------------------------------------------------------------------------|---------|---------------------------------------------------------------------------------------|------------|-------------------------------------------------------------------------------------|-----------------|
| THIS DRAWING CONTAINS INFORMATION THAT IS PROPRIETARY TO MOLEX ELECTRONIC TECHNOLOGIES, LLC AND SHOULD NOT BE USED WITHOUT WRITTEN PERMISSION | | CURRENT REV DESC: | | molex | |
| DIMENSION UNITS | SCALE | | | | |
| mm | NTS | | | PICO-CLASP 1.0 W/B SINGLE ROW VT SMT OUTER LOCK GOLD PLATING 0.38 MICRO-METER | |
| GENERAL TOLERANCES (UNLESS SPECIFIED) | | EC NO: 635683 | | PRODUCT CUSTOMER DRAWING | |
| ANGULAR TOL | ± 3.0 ° | DRWN: MIKEDA01 | 2020/04/10 | DOCUMENT NUMBER | |
| 4 PLACES | ± 0.2 | CHK'D: SAKIYAMA | 2020/05/13 | 2035600000-SD | |
| 3 PLACES | ± 0.2 | APPR: KOMURAKAMI | 2020/05/14 | DOC TYPE | DOC PART |
| 2 PLACES | ± 0.2 | INITIAL REVISION: | | PSD | 000 |
| 1 PLACE | ± 0.2 | DRWN: AISHIKAWA | 2019/04/01 | REVISION | |
| 0 PLACES | ± 0.2 | APPR: KOMURAKAMI | 2019/04/03 | B | |
| DRAFT WHERE APPLICABLE MUST REMAIN WITHIN DIMENSIONS | | THIRD ANGLE PROJECTION | DRAWING | SERIES | MATERIAL NUMBER |
| | |  | A3-SIZE | 203560 | CUSTOMER |
| | | | | SEE SHEET 5 | GENERAL |
| | | | | SHEET NUMBER | |
| | | | | 2 OF 5 | |

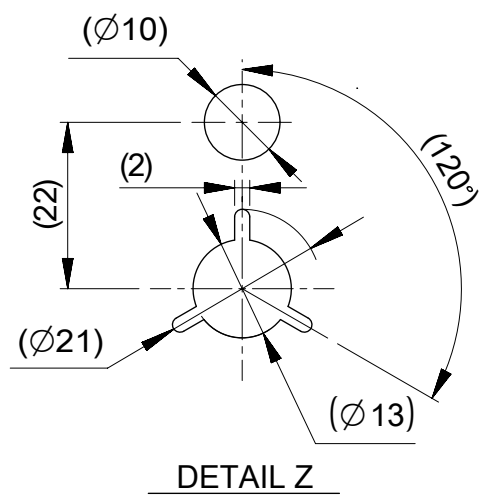


NOTES

- 9. 梱包数量:1100個/リール
NUMBER OF CONNECTORS : 1100 PIECES/REEL
- 10. リードテープ長さ
LEAD TAPE LENGTH



- 11. トップテープの剥離強度はIEC60286-3に準拠。
TOP TAPE PEELING FORCE IS DEFINED BY IEC60286-3.
- 12. 梱包仕様書 : 2035609200 PS 200
PACKAGE SPECIFICATION:
- 13. 発注番号 : SHEET 5 参照
ORDER No. : PLEASE REFER TO SHEET 5 FOR PRODUCT LIST.



203560 ** * *

| | | |
|--------------------|---------------------------|---------------------------------|
| 極数 CIRCUIT SIZE | ハウジングカラー HOUSING COLOR | 製品識別番号 IDENTIFICATION NUMBER |
| | 0:NATURAL(BEIGE) | 3:EMBOSSED PACKAGE |

| | | | | | |
|-----------------------------------------------------------------------------------------------------------------------------------------------|--------------|----------------------------------|--|-------------------------------------------|--|
| THIS DRAWING CONTAINS INFORMATION THAT IS PROPRIETARY TO MOLEX ELECTRONIC TECHNOLOGIES, LLC AND SHOULD NOT BE USED WITHOUT WRITTEN PERMISSION | | CURRENT REV DESC: | | molex | |
| DIMENSION UNITS mm | SCALE NTS | EC NO: 635683 | | | |
| GENERAL TOLERANCES (UNLESS SPECIFIED) | | DRWN: MIKEDA01 2020/04/10 | | SINGLE ROW VT SMT OUTER LOCK GOLD PLATING | |
| ANGULAR TOL ± 3.0 ° | | CHK'D: SAKIYAMA 2020/05/13 | | 0.38 MICRO-METER | |
| 4 PLACES ± 0.2 | | APPR: KOMURAKAMI 2020/05/14 | | PRODUCT CUSTOMER DRAWING | |
| 3 PLACES ± 0.2 | | INITIAL REVISION: | | DOCUMENT NUMBER | |
| 2 PLACES ± 0.2 | | DRWN: AISHIKAWA 2019/04/01 | | 2035600000-SD | |
| 1 PLACE ± 0.2 | | APPR: KOMURAKAMI 2019/04/03 | | PSD 000 B | |
| 0 PLACES ± 0.2 | | THIRD ANGLE PROJECTION | | MATERIAL NUMBER | |
| DRAFT WHERE APPLICABLE MUST REMAIN WITHIN DIMENSIONS | | DRAWING | | CUSTOMER | |
| | | A3-SIZE | | GENERAL | |
| | | SERIES | | SHEET NUMBER | |
| | | 203560 | | 3 OF 5 | |

| | | |
|-----------------|-------------|------------------------------------------------------------------------|
| 番号 NO. | 部品 PART | 材質 MATERIAL |
| ⑤ | リール REEL | ポリスチレン(PS) <リサイクル材を含む> POLYSTYRENE(PS) <RECYCLE MATERIAL CONTAINED> |
| DOCUMENT STATUS | P1 | RELEASE DATE 2020/05/14 10:49:36 |

引き出し方向
PULL OUT DIRECTION

16mm幅テープ
TAPE WIDTH:16mm

⑦ TOP TAPE

CONNECTOR

⑥ CARRIER TAPE

SECTION Y-Y

(7.5) コネクター中心位置
CENTER OF CONNECTOR

SECTION X-X

(2.0) エンボスポケット中心位置
CENTER OF EMBOSSED POCKET

累積ピッチ : 40 ±0.2
ACUUMLATIVE PITCH:

CIRCUIT 1 $\phi 1.5^{+0.1}_{0.0}$

1.75 ±0.1

(D)

16.0 ±0.3

12.0 ±0.1

(5.65)

(2.55)

0.5 ±0.05

(5.65)

(5.8)

(6.8)

| | |
|-----|--------------------|
| 8.3 | 5 |
| 7.3 | 4 |
| 6.3 | 3 |
| D | 極数 CIRCUIT SIZE |

THIS DRAWING CONTAINS INFORMATION THAT IS PROPRIETARY TO MOLEX ELECTRONIC TECHNOLOGIES, LLC AND SHOULD NOT BE USED WITHOUT WRITTEN PERMISSION

| | | | | | | |
|------------------------------------------------------|--------------|------------------------|--|-------------------------------------------|--|--|
| DIMENSION UNITS mm | SCALE NTS | CURRENT REV DESC: | | | | |
| GENERAL TOLERANCES (UNLESS SPECIFIED) | | EC NO: 635683 | | | | |
| ANGULAR TOL | ± 3.0 ° | DRWN: MIKEDA01 | | SINGLE ROW VT SMT OUTER LOCK GOLD PLATING | | |
| 4 PLACES | ± 0.2 | CHK'D: SAKIYAMA | | 0.38 MICRO-METER | | |
| 3 PLACES | ± 0.2 | APPR: KOMURAKAMI | | PRODUCT CUSTOMER DRAWING | | |
| 2 PLACES | ± 0.2 | INITIAL REVISION: | | DOCUMENT NUMBER | | |
| 1 PLACE | ± 0.2 | DRWN: AISHIKAWA | | 2035600000-SD | | |
| 0 PLACES | ± 0.2 | APPR: KOMURAKAMI | | PSD 000 B | | |
| DRAFT WHERE APPLICABLE MUST REMAIN WITHIN DIMENSIONS | | THIRD ANGLE PROJECTION | | MATERIAL NUMBER | | |
| | | DRAWING | | CUSTOMER | | |
| | | SERIES | | SHEET NUMBER | | |
| | | A3-SIZE | | SEE SHEET 5 | | |
| | | 203560 | | GENERAL | | |

| 番号 NO. | 部品 PART | 材質 MATERIAL |
|-----------|-------------------------|-------------------------------------------|
| ⑥ | キャリアテープ CARRIER TAPE | ポリプロピレン(PP)、その他 POLYPROPYLENE(PP), etc |
| ⑦ | トップテープ TOP TAPE | ポリエチレン(PE)、その他 POLYETHYLENE(PE), etc |

| | | | | |
|-----------------|----|--------------|------------|----------|
| DOCUMENT STATUS | P1 | RELEASE DATE | 2020/05/14 | 10:49:36 |
|-----------------|----|--------------|------------|----------|

9 8 7 6 5 4 3 2 1

E

E

D

D

C

C

B

B

A

A

13 製品一覧 PRODUCT LIST

| | |
|------------------------------------------|--------------|
| HOUSING COLOR | |
| NATURAL(BEIGE) | |
| 203560 0503 | 5 |
| 203560 0403 | 4 |
| 203560 0303 | 3 |
| 発注番号 ORDER No | 極数 |
| 梱包形態 : エンボスリール PACKAGE:EMBOSSSED REEL | CIRCUIT SIZE |

| | | | | | | | | | | |
|-----------------------------------------------------------------------------------------------------------------------------------------------|---------|-----------------------------|---------|--------|-------------------------------------------|----------|--|--------------|----------|----------|
| THIS DRAWING CONTAINS INFORMATION THAT IS PROPRIETARY TO MOLEX ELECTRONIC TECHNOLOGIES, LLC AND SHOULD NOT BE USED WITHOUT WRITTEN PERMISSION | | | | | | | | | | |
| DIMENSION UNITS | SCALE | CURRENT REV DESC: | | | molex | | | | | |
| mm | NTS | | | | | | | | | |
| GENERAL TOLERANCES (UNLESS SPECIFIED) | | EC NO: 635683 | | | PICO-CLASP 1.0 W/B | | | | | |
| ANGULAR TOL | ± 3.0 ° | DRWN: MIKEDA01 2020/04/10 | | | SINGLE ROW VT SMT OUTER LOCK GOLD PLATING | | | | | |
| 4 PLACES | ± 0.2 | CHK'D: SAKIYAMA 2020/05/13 | | | 0.38 MICRO-METER | | | | | |
| 3 PLACES | ± 0.2 | APPR: KOMURAKAMI 2020/05/14 | | | PRODUCT CUSTOMER DRAWING | | | | | |
| 2 PLACES | ± 0.2 | INITIAL REVISION: | | | DOCUMENT NUMBER | | | | | |
| 1 PLACE | ± 0.2 | DRWN: AISHIKAWA 2019/04/01 | | | 2035600000-SD | | | DOC TYPE | DOC PART | REVISION |
| 0 PLACES | ± 0.2 | APPR: KOMURAKAMI 2019/04/03 | | | | | | PSD | 000 | B |
| DRAFT WHERE APPLICABLE MUST REMAIN WITHIN DIMENSIONS | | THIRD ANGLE PROJECTION | DRAWING | SERIES | MATERIAL NUMBER | CUSTOMER | | SHEET NUMBER | | |
| | | | A3-SIZE | 203560 | SEE SHEET 5 | GENERAL | | 5 OF 5 | | |

| | | | | |
|-----------------|----|--------------|------------|----------|
| DOCUMENT STATUS | P1 | RELEASE DATE | 2020/05/14 | 10:49:36 |
|-----------------|----|--------------|------------|----------|

9 8 7 6 5 4 3 2 1

FORMAT: master-ib-prod-A3
REVISION: 11
DATE: 2018/01/18