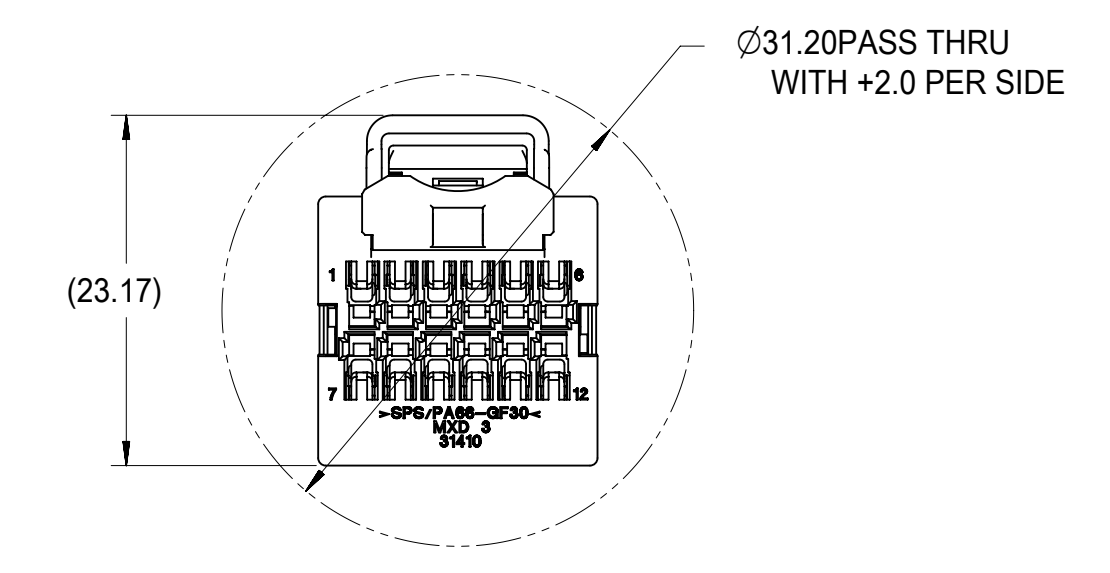
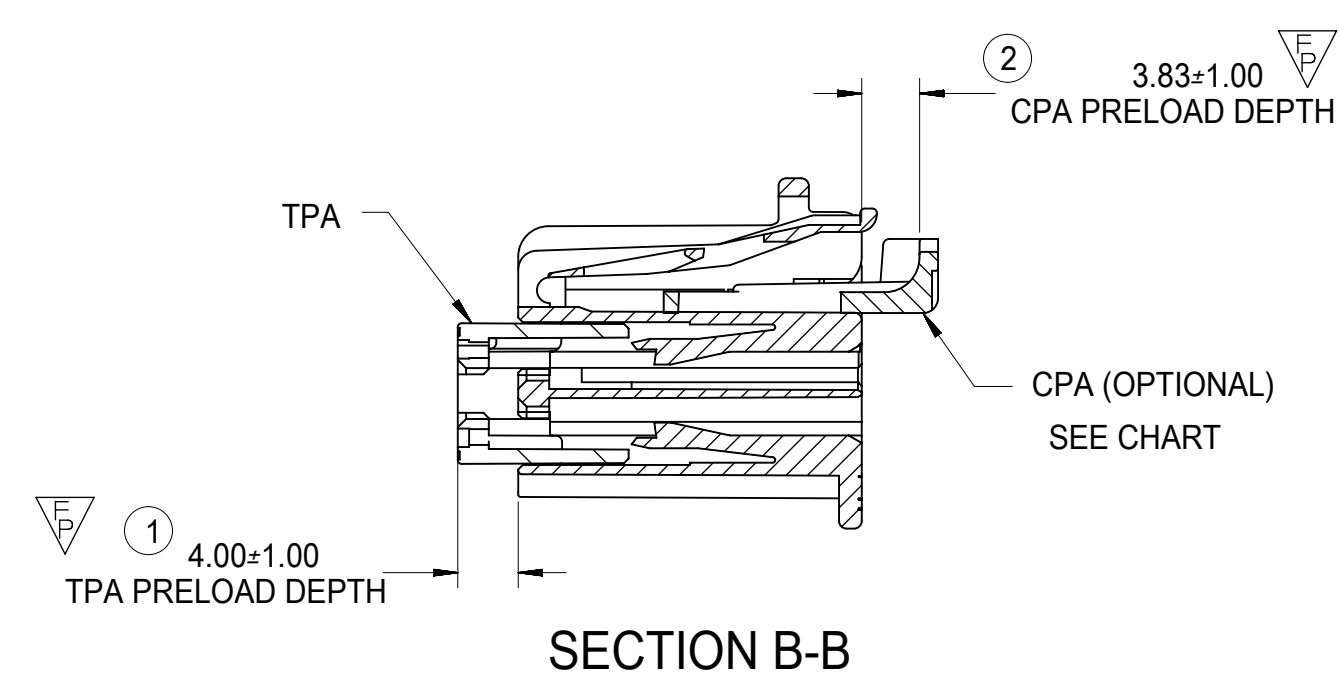
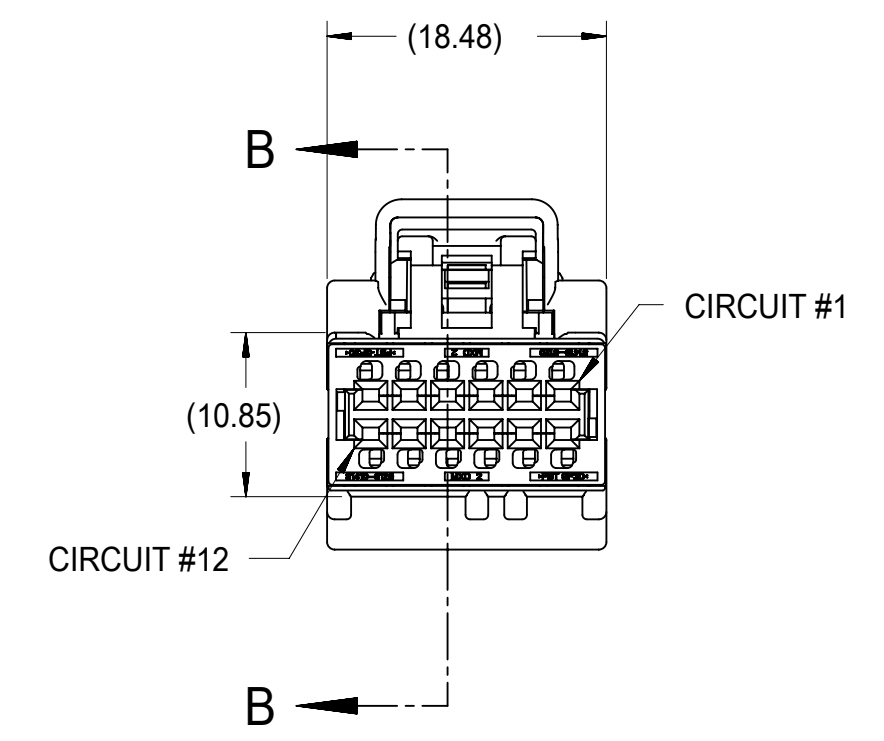
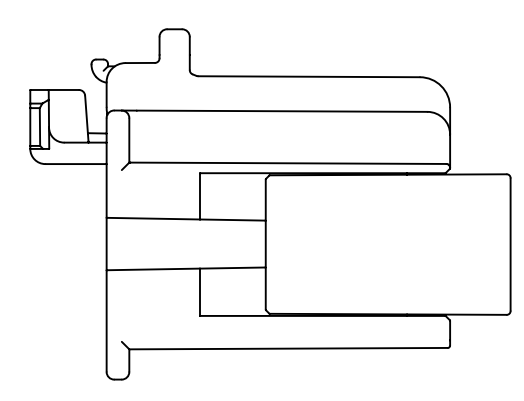
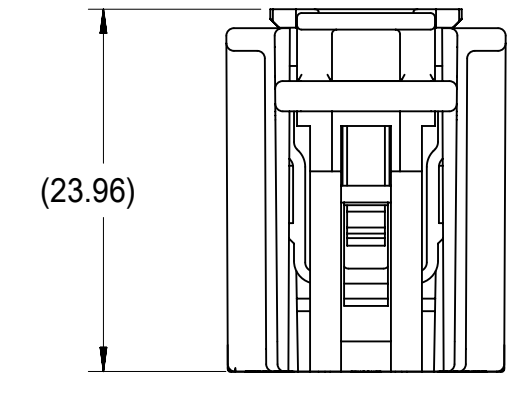
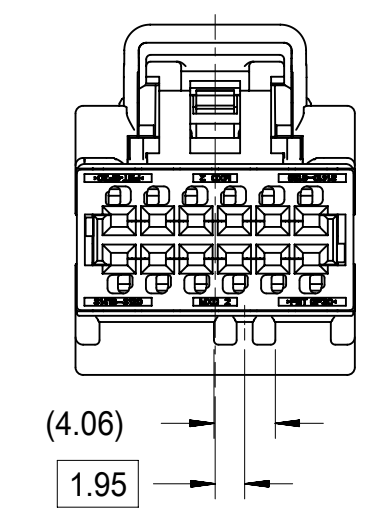


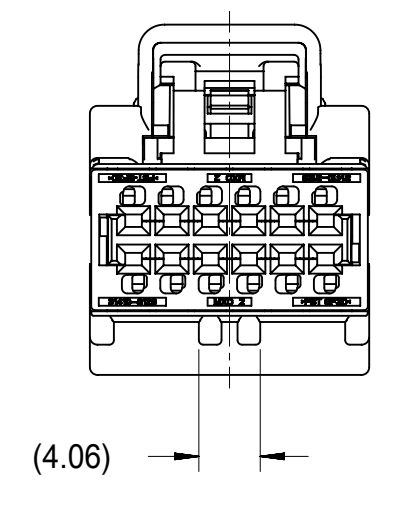
VIEW SHOWN WITHOUT CPA AND WITH TPA IN LOCKED POSITION



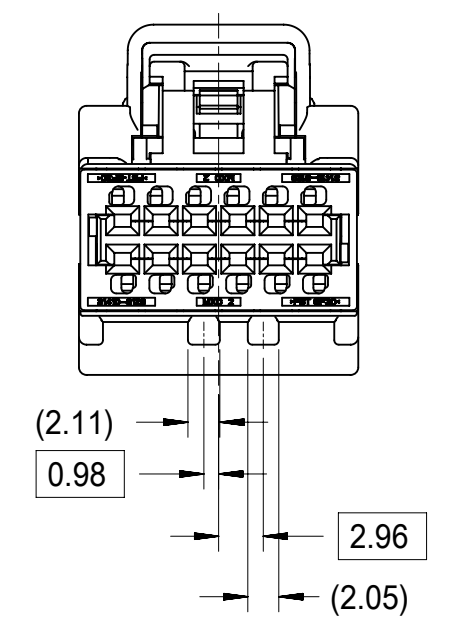
## POLARIZATION OPTIONS



POLARIZATION 'A'  
31410-1120



POLARIZATION 'B'  
31410-1121



POLARIZATION 'C'  
31410-1122

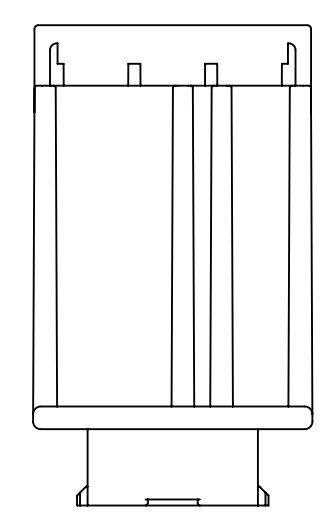
## PART OPTIONS

MOLEX ASSY. P/N	HOUSING P/N	TPA P/N	POLARIZATION	COLOR	CPA	TOOLED	
31410-0120	31410-2120	31410-3120	A	BLACK	Y	YES	
31410-1120					N	YES	
31410-0121					Y	YES	
31410-1121	31410-2121		B	GRAY	N	YES	
31410-0122					Y	YES	
31410-1122					N	YES	
31410-0125	31410-2124	31410-3120	A	BLACK	Y	YES	
31410-0126					Y	YES	
31410-0127					Y	YES	
31410-0125	31410-2124		31410-3120	B	GRAY	Y	YES
31410-0126						Y	YES
31410-0127						Y	YES
31410-0125	31410-2124	31410-3120		C	BROWN	Y	YES
31410-0126						Y	YES
31410-0127						Y	YES

GM PREFERRED

### NOTES:

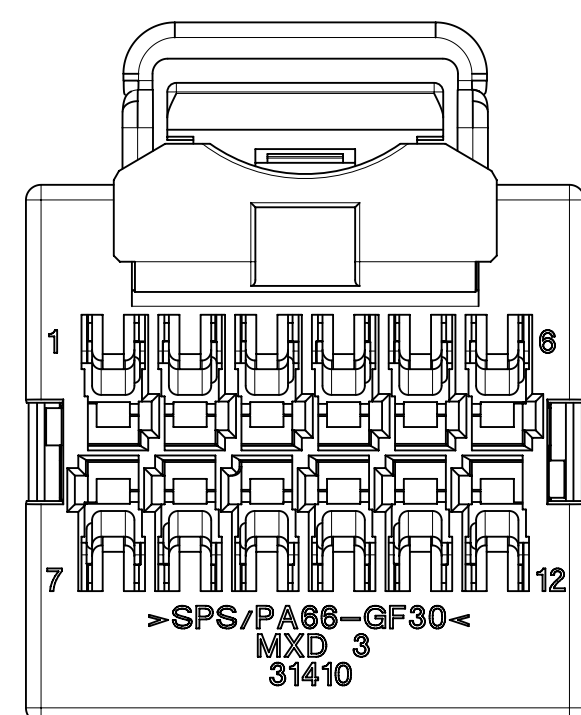
- DIMENSIONED IN ACCORDANCE WITH ANSI Y14.5M-1994.
- PARTS SHIPPED WITH TPA IN PRELOADED POSITION AS SHOWN UPON FULL TERMINAL ASSEMBLY, THE TPA MUST BE SNAPPED INTO ITS FINAL LOCKED POSITION.
- TPA's MAY BECOME SEATED DURING TRANSIT. IF THIS OCCURS REFERENCE MOLEX PRODUCT SPECIFICATION PS-34646-001.
- SEE TABLE ON SHEET 2 FOR APPROVED YAZAKI KAIZEN CAVITY COMPATIBLE FEMALE TERMINALS.
- OPTIONAL CPA SHOWN IN ALL VIEWS. SEE TABLES FOR SPECIFIC ASSEMBLY OPTION AND NUMBER.
- PACKAGING PER DRAWING PK-31300-044.
- SOME DAMAGE CAN OCCUR DURING SHIPPING. ANY CONNECTORS WITH VISIBLE DAMAGE SHOULD BE DISCARDED



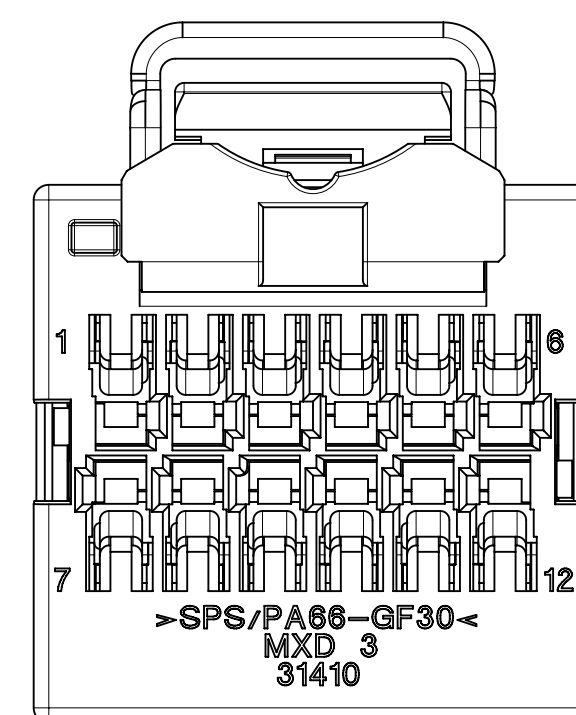
SYMBOLS	THIS DRAWING CONTAINS INFORMATION THAT IS PROPRIETARY TO MOLEX ELECTRONIC TECHNOLOGIES, LLC AND SHOULD NOT BE USED WITHOUT WRITTEN PERMISSION		CURRENT REV DESC:					
	DIMENSION UNITS	SCALE						EC NO: 172167
▽ = 0	mm	1:1	GENERAL TOLERANCES (UNLESS SPECIFIED)		CHK'D: RBAUMAN	2018/02/13	USCAR 0.64MM RECEPTACLE SALES DRAWING, 12 CKT.	
▽ = 0	ANGULAR TOL ± 3.0°		4 PLACES ±		APPR: RBAUMAN	2018/02/13	PRODUCT CUSTOMER DRAWING	
▽ = 2	3 PLACES ±		2 PLACES ± 0.13		INITIAL REVISION:		DOCUMENT NUMBER	
▽ = 0	2 PLACES ±		1 PLACE ± 0.25		DRWN: MDANIELS		DOC TYPE	
▽ = 0	0 PLACES ±		DRAFT WHERE APPLICABLE MUST REMAIN WITHIN DIMENSIONS		APPR: BBWILSON		DOC PART	
▽ = 0	THIRD ANGLE PROJECTION		DRAWING		2004/04/15		REVISION	
▽ = 0	D-SIZE		SERIES		2004/08/13		SD-31410-160	
MATERIAL NUMBER			CUSTOMER			SHEET NUMBER		
GENERAL MARKET			1 OF 2					

SUPPLIER	TERMINAL	ORIENATTION	AWG	MATERIAL	PLATING	SUPP PART #	GM PART #
TYCO	GEN Y	SIDE	20-22	CuNiSi	TIN	2035170-1	13576204
TYCO	GEN Y	SIDE	18	CuNiSi	TIN	2035170-2	13576205
TYCO	GEN Y	SIDE	20-22	BRONZE	SILVER	2035124-1	13576200
TYCO	GEN Y	SIDE	18	BRONZE	SILVER	2035124-2	13576201
TYCO	GEN Y	DOWN	20-22	CuNiSi	TIN	1924727-1	13576202
TYCO	GEN Y	DOWN	18	CuNiSi	TIN	1924727-2	13576203
JST	AIT	SIDE	20-22	Cu ALLOY	AuSn	SAIT-A03GF-M064	19167039
JST	AIT	SIDE	18	Cu ALLOY	AuSn	SAIT-A02GF-M064	19167040
JST	AIT	SIDE	20-22	Cu ALLOY	PRE-TIN	SAIT-A03T-M064	19167037
JST	AIT	SIDE	18	Cu ALLOY	PRE-TIN	SAIT-A02T-M064	19167038

USING 18GA TERMINAL SYSTEMS RESULTS IN HIGHER THAN NORMAL TERMINAL-TO-CONNECTOR INSERTION FORCE.



31410-0120/1/2  
GM NON-PREFERRED



31410-0125/6/7  
GM PREFERRED

SYMBOLS	THIS DRAWING CONTAINS INFORMATION THAT IS PROPRIETARY TO MOLEX ELECTRONIC TECHNOLOGIES, LLC AND SHOULD NOT BE USED WITHOUT WRITTEN PERMISSION		CURRENT REV DESC:				
	DIMENSION UNITS	SCALE					
▽ = 0	mm	4:1	GENERAL TOLERANCES (UNLESS SPECIFIED)		CHK'D: RBAUMAN	2018/02/13	USCAR 0.64MM RECEPTACLE SALES DRAWING, 12 CKT.
▽ = 0	ANGULAR TOL ± 3.0°		4 PLACES ±		APPR: RBAUMAN	2018/02/13	
▽ = 0	3 PLACES ±		2 PLACES ± 0.13		INITIAL REVISION:		PRODUCT CUSTOMER DRAWING
▽ = 0	2 PLACES ± 0.25		1 PLACE ±		DRWN: MDANIELS	2004/04/15	
▽ = 0	0 PLACES ±		DRAFT WHERE APPLICABLE MUST REMAIN WITHIN DIMENSIONS		APPR: BBWILSON	2004/08/13	DOCUMENT NUMBER
THIRD ANGLE PROJECTION	DRAWING	SERIES	MATERIAL NUMBER	CUSTOMER	REVISION		
	D-SIZE	31410	SD-31410-160	GENERAL MARKET	PSD	001	H1
				SHEET NUMBER		2 OF 2	