



产品编号 : [348406440](#)

Product Description : MX150 Male Connector Assembly, Bulkhead Twist-Lock, Mat-Sealed Compatible, Dual Row, 12 Circuits, Keying Option D, Stone Gray

系列号 : 34840

状态 : Active

Product Category : Connector Housings



---

## 文件和资源

### 图纸

[图纸 348406440\\_sd.pdf](#)

[包装设计图 PK-31301-615-001.pdf](#)

### 3D 模型和设计文件

[3D模型 348406440\\_stp.zip](#)

### 规格

[应用规格 AS-34840-001-001.pdf](#)

[产品规格 PS-34840-0001-001.pdf](#)

---

## 产物环境合规

### 合规

GADSL/IMDS	Duty-To-Declare
China RoHS	
EU ELV	Compliant per 2000/53/EC
Low-Halogen Status	Low-Halogen per IEC 61249-2-21
REACH SVHC	Not Contained per D(2023)3788-DC (14 Jun 2023)
EU RoHS	Compliant per EU 2015/863

### 多部分产品合规性声明

- Eu RoHS
- REACH SVHC
- Low-Halogen

### 多部分行业合规性文件

- IPC 1752A Class C

- IPC 1752A Class D
- Molex Product Compliance Declaration
- IEC-62474
- chemSHERPA (xml)

欧盟 RoHS 合格证书

## 产品详情

### 常规

状态	活动
类别	Connector Housings
系列	34840
说明	MX150 Male Connector Assembly, Bulkhead Twist-Lock, Mat-Sealed Compatible, Dual Row, 12 Circuits, Keying Option D, Stone Gray
应用	Power, Wire-to-Wire
产品系列	MX150 Sealed and Unsealed Connector System
产品名称	MX150
UPC	191128263825

### 物理

电路数（最多）	12
颜色-树脂	Natural, Stone Gray
性别	Plug
符合灼热丝规范	否
插接极性	是
锁定插接部位	是
材料 - 树脂	Modified Polystyrene Alloy
净重	24.046/g
行数	2
包装形式	Bag
面板安装式	是
间距 - 插配接口	3.50mm
有极性的插配件	是
可堆叠的	否

运行温度范围	-40° to +125° C
--------	-----------------

---

## 可配插/可连接使用的产品

### 可配插部件

描述	产品编号
MX150 Mat-Sealed Dual Row Female Connector Assemblies	<u>33472</u>

### 可连接使用部件

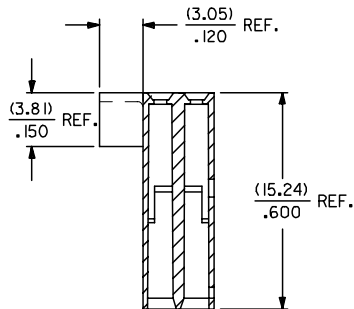
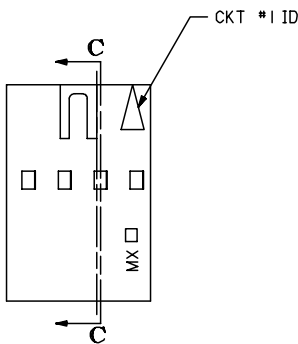
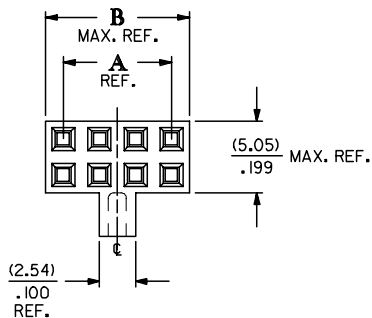
描述	产品编号
MX150 Male Terminals	<u>33000</u>

---

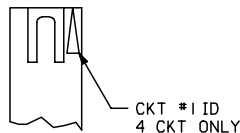
**NOTES:**

1. MATERIAL: G.F. POLYESTER
2. HOUSING TO BE USED WITH TERMINAL NOS. 70028, 70058, AND 71851.
3. HOUSING TO BE USED WITH (0.64)/.025 SQUARE OR ROUND PINS.
4. REFER TO MOLEX PRODUCT SPECIFICATION PS-70058.
5. PACKAGE PER PK-70450-100.
6. PARTS CONFORM TO CLASS C OF COSMETIC SPECIFICATION PS-45499-002.

**OPTION "B"**



**SECTION C-C**



CKT. SIZE	EDP. NO.	ENG. NO.	DIM "A" REF.	DIM "B" MAX. REF.
4	022-55-2042	70450-0050	(2.54) .100	(5.05) .199
6	022-55-2062	70450-0051	(5.08) .200	(7.59) .299
8	022-55-2082	70450-0052	(7.62) .300	(10.13) .399
10	022-55-2102	70450-0053	(10.16) .400	(12.67) .499
12	022-55-2122	70450-0054	(12.70) .500	(15.21) .599
14	022-55-2142	70450-0055	(15.24) .600	(17.75) .699
16	022-55-2162	70450-0056	(17.78) .700	(20.29) .799
18	022-55-2182	70450-0057	(20.32) .800	(22.83) .899
20	022-55-2202	70450-0058	(22.86) .900	(25.37) .999
22	022-55-2222	70450-0059	(25.40) 1.000	(27.91) 1.099
24	022-55-2242	70450-0060	(27.94) 1.100	(30.45) 1.199
26	022-55-2262	70450-0061	(30.48) 1.200	(32.99) 1.299
28	022-55-2282	70450-0062	(33.02) 1.300	(35.53) 1.399
30	022-55-2302	70450-0063	(35.56) 1.400	(38.07) 1.499
32	022-55-2322	70450-0064	(38.10) 1.500	(40.61) 1.599
34	022-55-2342	70450-0065	(40.64) 1.600	(43.15) 1.699
36	022-55-2362	70450-0066	(43.18) 1.700	(45.69) 1.799
38	022-55-2382	70450-0067	(45.72) 1.800	(48.23) 1.899
40	022-55-2402	70450-0068	(48.26) 1.900	(50.77) 1.999
42	022-55-2422	70450-0069	(50.80) 2.000	(53.31) 2.099
44	022-55-2442	70450-0070	(53.34) 2.100	(55.85) 2.199
46	022-55-2462	70450-0071	(55.88) 2.200	(58.39) 2.299
48	022-55-2482	70450-0072	(58.42) 2.300	(60.93) 2.399
50	022-55-2502	70450-0073	(60.96) 2.400	(63.47) 2.499
52	NOT TOOLED	70450-0074	(63.50) 2.500	(66.01) 2.599
54	NOT TOOLED	70450-0075	(66.04) 2.600	(68.55) 2.699

ADD COSMETIC SPEC EC NO: UCP2007-2009 DRAWN: JORGAN 2007/02/23 CHKD: MS BARRA 2007/02/23 APPR: SMILLER 2007/02/27 REVISIONS DESCRIPTION	QUALITY SYMBOLS	GENERAL TOLERANCES (UNLESS SPECIFIED)	DIMENSION STYLE	SCALE	DESIGN UNITS	THIRD ANGLE PROJECTION
	=0 =0	mm INCH 4 PLACES ± --- ± --- 3 PLACES ± --- ± .010 2 PLACES ± 0.25 ± .014 1 PLACE ± 0.35 ± --- ANGULAR ±1/2°	MM/IN	4:1	INCH	☉ □ THIRD ANGLE PROJECTION
	DRAWN BY DATE MJM 1986/10/22 CHECKED BY DATE MJM 1986/10/22 APPROVED BY DATE WAZ 1986/10/22	HOUSING-CONNECTOR DUAL ROW (2.54)/.100 GRID WITH POLARIZATION KEY		MOLEX INCORPORATED		SHEET NO. 1 OF 1
	MATERIAL NO. SEE CHART	DRAFT WHERE APPLICABLE MUST REMAIN WITHIN DIMENSIONS		DOCUMENT NO. SD-70450-0050-0075		THIS DRAWING CONTAINS INFORMATION THAT IS PROPRIETARY TO MOLEX INCORPORATED AND SHOULD NOT BE USED WITHOUT WRITTEN PERMISSION



# PRODUCT SPECIFICATION

## 1.0 SCOPE

This Product Specification covers the transit requirements of Terminal Position Assurance (TPA) devices used in the automotive industry.

## 2.0 PRODUCT DESCRIPTION

### 2.1 TPA DEFINITION

The TPA is a device that detects the presence of a partially installed terminal and supports the primary locking feature when fully seated.

### 2.2 PRELOCK POSITION

The TPA is pre-assembled to the connector housing in a position that allows the terminal to be installed into the connector assembly.

### 2.3 FINAL POSITION

The TPA is seated from the pre-lock position into the connector housing where it is locked into place.

### 2.4 PRODUCT NAME AND SERIES NUMBER (S)

MX150 SINGLE ROW	33471, 33481, 31280
MX150 DUAL ROW	33472, 33482
MX150 GEN 2 DUAL ROW	160008, 160011
MX150 HYBRID	33476, 33486, 34985, 34986
MX150 1X4 Z02	34770
MX120 SINGLE ROW	34511
MX64 SEALED	31402, 31403, 31404, 34975, 34977
MX150 SINGLE ROW CABLE SEAL	34752
MX150 BULKHEAD CONNECTOR	34840
USCAR RECEPTACLE	31408, 31409, 31410
GLOBAL FUEL INJECTOR	34062
3 WAY RECEPTACLE	34250
3 WAY BLADE	34091
H-DAC 64 DUAL ROW	30700, 30968, 31389
H-DAC 64 SINGLE ROW	31067, 31068, 31072, 31073, 31100
38 WAY ABS	31187, 31380, 31381
12 WAY HYBRID	31034
6 WAY HYBRID	31066
NGPCM	30528
6.3MM SYSTEMS	30897
EPAS	33967
11 WAY AIRBAG	33985, 33990
2 WAY MALE CABLE SEAL	34675
10 WAY HYBRID	31372
B479 PDB 50 WAY	160044

REVISION: <b>F2</b>	ECR/ECN INFORMATION: EC No: <b>UAU2016-0501</b> DATE: <b>2015/ 10/ 13</b>	TITLE: <b>PRODUCT SPECIFICATION FOR TRANSIT RELATED SEATED TPA</b>	SHEET No. <b>1 of 2</b>
DOCUMENT NUMBER: <b>PS-34646-001</b>	CREATED / REVISED BY: <b>Fiona Chen</b>	CHECKED BY: <b>Jun Deng</b>	APPROVED BY: <b>Vijy Koshy</b>



# PRODUCT SPECIFICATION

## 3.0 APPLICABLE DOCUMENTS AND SPECIFICATIONS

Reference USCAR-2 (miscellaneous component engage/disengage – method 5.4.5.4) for the applicable TPA functionality for pre-lock seating to final position. Products that do not meet the performance range of  $15N < X < 60 N$  are not covered by this specification.

## 4.0 PACKAGING

TPAs may become seated during transit. Occurrence rates of this condition will be evaluated using individual boxes versus palletized shipments. Packaging includes bulk, layer and partition styles.

## 5.0 SERVICING

TPAs that become seated will need to be pulled back from the final seat position to the pre-lock position as shipped. For servicing guidelines to restore the TPA to the correct position please refer to the connector user's manual. The manuals can be found at [www.molex.com](http://www.molex.com) by referencing part number or product name.

## 6.0 DAMAGE

Damage to the connector assembly occurred during shipment is not covered by this specification.


## 7.0 DISCLAIMER

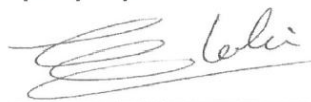
The receiving company assumes responsibility for servicing the TPA.

  
Molex Incorporated

  
Ford Motor Company

Molex Incorporated and PSA PEUGEOT CITROEN Company representatives have endorsed this specification

  
Molex Incorporated

  
PSA PEUGEOT CITROEN

REVISION: <b>F2</b>	ECR/ECN INFORMATION: EC No: <b>UAU2016-0501</b> DATE: <b>2015/ 10/ 13</b>	TITLE: <b>PRODUCT SPECIFICATION FOR TRANSIT RELATED SEATED TPA</b>	SHEET No. <b>2 of 2</b>
DOCUMENT NUMBER: <b>PS-34646-001</b>	CREATED / REVISED BY: <b>Fiona Chen</b>	CHECKED BY: <b>Jun Deng</b>	APPROVED BY: <b>Vijy Koshy</b>