



产品编号 : [351500390](#)

Product Description : VersaBlade Terminal  
Position Assurance (TPA) Retainer, 7.30mm  
Pitch, 3 Circuits, Natural

系列号 : 35150

状态 : Active

Product Category : Connector Accessories



---

## 文件和资源

### 图纸

[图纸 351500390\\_sd.pdf](#)

### 3D 模型和设计文件

[3D模型 351500390\\_stp.zip](#)

### 规格

[应用规格 351500000AS\\_ENG-000.pdf](#)

[应用规格 351500000AS\\_KOR-000.pdf](#)

[包装规格 PK-35150-003-001.pdf](#)

[产品规格 PS-35150-001-001.pdf](#)

---

## 产物环境合规

### 合规

GADSL/IMDS	Not Relevant
China RoHS	
EU ELV	Not Relevant
Low-Halogen Status	Low-Halogen per IEC 61249-2-21
REACH SVHC	Not Contained per D(2023)3788-DC (14 Jun 2023)
EU RoHS	Compliant per EU 2015/863

### 多部分产品合规性声明

- Eu RoHS
- REACH SVHC
- Low-Halogen

### 多部分行业合规性文件

- IPC 1752A Class C

- IPC 1752A Class D
- Molex Product Compliance Declaration
- IEC-62474
- chemSHERPA (xml)

欧盟 RoHS 合格证书

## 产品详情

### 常规

状态	活动
类别	Connector Accessories
系列	35150
说明	VersaBlade Terminal Position Assurance (TPA) Retainer, 7.30mm Pitch, 3 Circuits, Natural
元件类型	Terminal Position Assurance
产品系列	VersaBlade Wire-to-Wire Connector System
产品名称	VersaBlade
UPC	800754375481

### 机构

CSA	LR19980
UL	E29179

### 物理

回路数 (已载入)	3
电路数 (最多)	3
颜色-树脂	Natural
阻燃性	94V-2
锁定插接部位	是
材料 - 树脂	Nylon
净重	0.373/g
行数	1
包装形式	Bag
运行温度范围	-40° to +120° C

可连接使用部件

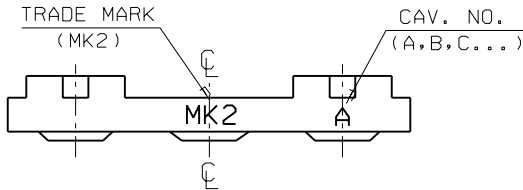
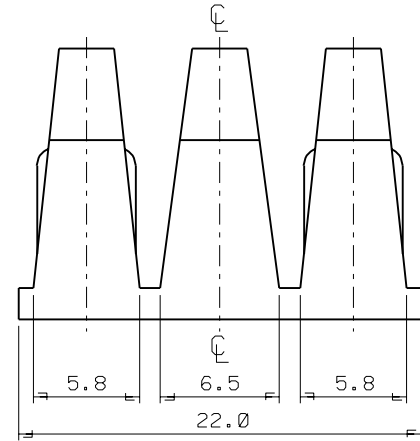
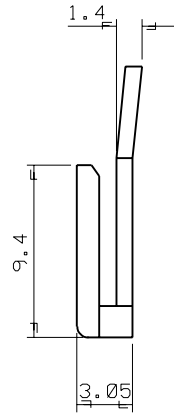
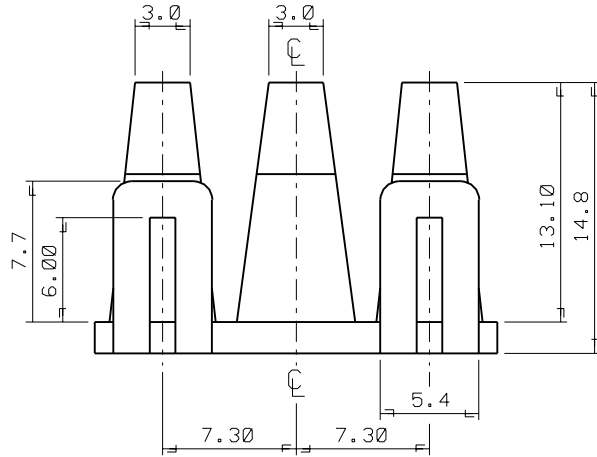
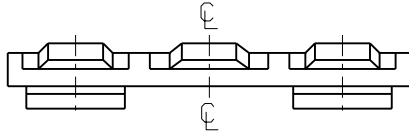
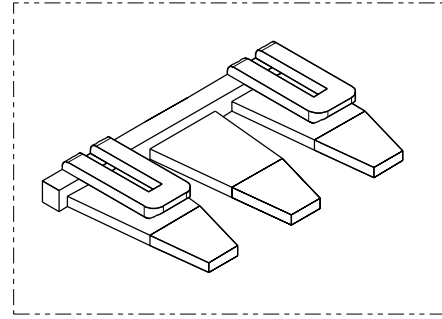
描述	产品编号
VersaBlade Hybrid Receptacle Housing, without Mounting Ears, 3 Circuits, Natural	<a href="/content/molex/molex-dot-com/cn/zh/products/product-page.html/351500300.html">/content/molex/molex-dot-com/cn/zh/products/product-page.html/351500300.html</a>
VersaBlade Hybrid Receptacle Housing, without Mounting Ears, 3 Circuits, Blue	<a href="/content/molex/molex-dot-com/cn/zh/products/product-page.html/351500304.html">/content/molex/molex-dot-com/cn/zh/products/product-page.html/351500304.html</a>
VersaBlade Hybrid Receptacle Housing, without Mounting Ears, 3 Circuits, Natural, Glow-Wire Capable	<a href="/content/molex/molex-dot-com/cn/zh/products/product-page.html/351500309.html">/content/molex/molex-dot-com/cn/zh/products/product-page.html/351500309.html</a>
VersaBlade Hybrid Receptacle Housing, with Mounting Ears, 3 Circuits, Natural	<a href="/content/molex/molex-dot-com/cn/zh/products/product-page.html/351500310.html">/content/molex/molex-dot-com/cn/zh/products/product-page.html/351500310.html</a>
VersaBlade Hybrid Receptacle Housing, with Mounting Ears, 3 Circuits, Blue	<a href="/content/molex/molex-dot-com/cn/zh/products/product-page.html/351500314.html">/content/molex/molex-dot-com/cn/zh/products/product-page.html/351500314.html</a>
VersaBlade Hybrid Receptacle Housing, with Mounting Ears, 3 Circuits, Natural, Glow-Wire Capable	<a href="/content/molex/molex-dot-com/cn/zh/products/product-page.html/351500319.html">/content/molex/molex-dot-com/cn/zh/products/product-page.html/351500319.html</a>
VersaBlade Hybrid Receptacle Housing, without Mounting Ears, 6 Circuits, Natural	<a href="/content/molex/molex-dot-com/cn/zh/products/product-page.html/351500600.html">/content/molex/molex-dot-com/cn/zh/products/product-page.html/351500600.html</a>
VersaBlade Hybrid Receptacle Housing, without Mounting Ears, 6 Circuits, Natural, Glow-Wire Capable	<a href="/content/molex/molex-dot-com/cn/zh/products/product-page.html/351500609.html">/content/molex/molex-dot-com/cn/zh/products/product-page.html/351500609.html</a>
VersaBlade Hybrid Receptacle Housing, with Mounting Ears, 6 Circuits, Natural	<a href="/content/molex/molex-dot-com/cn/zh/products/product-page.html/351500610.html">/content/molex/molex-dot-com/cn/zh/products/product-page.html/351500610.html</a>
VersaBlade Hybrid Receptacle Housing, with Mounting Ears, 6 Circuits, Blue	<a href="/content/molex/molex-dot-com/cn/zh/products/product-page.html/351500614.html">/content/molex/molex-dot-com/cn/zh/products/product-page.html/351500614.html</a>
VersaBlade Hybrid Receptacle Housing, with Mounting Ears, 6 Circuits, Natural, Glow-Wire Capable	<a href="/content/molex/molex-dot-com/cn/zh/products/product-page.html/351500619.html">/content/molex/molex-dot-com/cn/zh/products/product-page.html/351500619.html</a>
VersaBlade Hybrid Receptacle Housing, with Mounting Ears, 3 Circuits, Yellow, Glow-Wire Capable	<a href="/content/molex/molex-dot-com/cn/zh/products/product-page.html/351503319.html">/content/molex/molex-dot-com/cn/zh/products/product-page.html/351503319.html</a>
VersaBlade Hybrid Receptacle Housing, with Mounting Ears, 6 Circuits, Yellow, Glow-Wire Capable	<a href="/content/molex/molex-dot-com/cn/zh/products/product-page.html/351503619.html">/content/molex/molex-dot-com/cn/zh/products/product-page.html/351503619.html</a>

VersaBlade Hybrid Receptacle Housing, with Mounting Ears, 3 Circuits, Blue, Glow-Wire Capable	<a href="/content/molex/molex-dot-com/cn/zh/products/product-page.html/351504319.html">/content/molex/molex-dot-com/cn/zh/products/product-page.html/351504319.html</a>
VersaBlade Hybrid Receptacle Housing, with Mounting Ears, 6 Circuits, Blue, Glow-Wire Capable	<a href="/content/molex/molex-dot-com/cn/zh/products/product-page.html/351504619.html">/content/molex/molex-dot-com/cn/zh/products/product-page.html/351504619.html</a>
VersaBlade Hybrid Plug Housing, 3 Circuits, Positive Lock, Natural	<a href="/content/molex/molex-dot-com/cn/zh/products/product-page.html/351510310.html">/content/molex/molex-dot-com/cn/zh/products/product-page.html/351510310.html</a>
VersaBlade Hybrid Plug Housing, 3 Circuits, Positive Lock, Blue	<a href="/content/molex/molex-dot-com/cn/zh/products/product-page.html/351510314.html">/content/molex/molex-dot-com/cn/zh/products/product-page.html/351510314.html</a>
VersaBlade Hybrid Plug Housing, 3 Circuits, Positive Lock, Natural, Glow-Wire Capable	<a href="/content/molex/molex-dot-com/cn/zh/products/product-page.html/351510319.html">/content/molex/molex-dot-com/cn/zh/products/product-page.html/351510319.html</a>
VersaBlade Hybrid Plug Housing, 6 Circuits, Positive Lock, Natural	<a href="/content/molex/molex-dot-com/cn/zh/products/product-page.html/351510610.html">/content/molex/molex-dot-com/cn/zh/products/product-page.html/351510610.html</a>
VersaBlade Hybrid Plug Housing, 6 Circuits, Positive Lock, Blue	<a href="/content/molex/molex-dot-com/cn/zh/products/product-page.html/351510614.html">/content/molex/molex-dot-com/cn/zh/products/product-page.html/351510614.html</a>
VersaBlade Hybrid Plug Housing, 6 Circuits, Positive Lock, Natural, Glow-Wire Capable	<a href="/content/molex/molex-dot-com/cn/zh/products/product-page.html/351510619.html">/content/molex/molex-dot-com/cn/zh/products/product-page.html/351510619.html</a>
VersaBlade Hybrid Plug Housing, 6 Circuits, Positive Lock, Yellow, Glow-Wire Capable	<a href="/content/molex/molex-dot-com/cn/zh/products/product-page.html/351513619.html">/content/molex/molex-dot-com/cn/zh/products/product-page.html/351513619.html</a>
VersaBlade Hybrid Plug Housing, 3 Circuits, Positive Lock, Blue, Glow-Wire Capable	<a href="/content/molex/molex-dot-com/cn/zh/products/product-page.html/351514319.html">/content/molex/molex-dot-com/cn/zh/products/product-page.html/351514319.html</a>
VersaBlade Multi-Module 2-3-4 Hybrid Receptacle Housing, 9 Circuits, Full Flange Panel Mount, Natural, Glow-Wire Capable	<a href="/content/molex/molex-dot-com/cn/zh/products/product-page.html/2026500909.html">/content/molex/molex-dot-com/cn/zh/products/product-page.html/2026500909.html</a>
VersaBlade Multi-Module 2-3-4 Hybrid Receptacle Housings	<u>35524</u>

PROJECT NO. .070 W/W CONN'  
 SIMILAR ITEM  
 EDP NO.  
 ENG. NO SD 35150-039\*

NOTES

- MATERIAL : NYLON 66 (UL94V-2)
- COLOR : 35150-0390 (NATURAL)  
 35150-0392 (RED)  
 35150-0393 (YELLOW)  
 35150-0394 (BLUE)
- MATCHED HOUSING : 35150-030\*/031\*  
 35151-031\*  
 35150-060\*/061\*  
 35151-061\*



				MATERIAL SEE NOTES		molex MOLEX-KOREA CO.,LTD.	
				GENERAL TOLERANCE DIMENSION : ±0.3		DRAWN BY J.S.KANG	
				ANGLE : °1		CHK'D BY	
B	REVISED	95-127	95-11-22	DIMENSION CLASSIFICATION		APP'D BY	
A	NEW RELEASED		92-9-14	▽ : CRITICAL ▼ : MAJOR ( ) : REFERENCE		SCALE 4/1	
LTR	REVISION RECORD	ECN	DATE	ASS'Y PART		TITLE: 7.3 PITCH W/W CONN'	
				DESCRIPTION		I.P.A - 3P	
				ENG. NO.		SHEET 1 OF 1	
REVISE ONLY ON CAD SYSTEM				---		REV B	
				---		ENG. NO. SD 35150-039*	