



产品编号 : [367831201](#)

Product Description : MX120G Sealed Header Connector Assembly, 12 Circuit, Color Mark Identification Black

系列号 : 36783

状态 : Active

Product Category : PCB Headers and Receptacles



文件和资源

图纸

[图纸 367831201_sd.pdf](#)

3D 模型和设计文件

[3D模型 367831201_stp.zip](#)

规格

[应用规格 AS-36783-001-001.pdf](#)

[产品规格 PS-36783-001-001.pdf](#)

产物环境合规

合规

GADSL/IMDS	Compliant with Exemption 44
China RoHS	
EU ELV	Not Relevant
Low-Halogen Status	Low-Halogen per IEC 61249-2-21
REACH SVHC	Not Contained per D(2023)3788-DC (14 Jun 2023)
EU RoHS	Compliant per EU 2015/863

多部分产品合规性声明

- Eu RoHS
- REACH SVHC
- Low-Halogen

多部分行业合规性文件

- IPC 1752A Class C
- IPC 1752A Class D

- Molex Product Compliance Declaration

- IEC-62474

- chemSHERPA (xml)

欧盟 RoHS 合格证书

产品详情

常规

状态	活动
类别	PCB Headers and Receptacles
系列	36783
说明	MX120G Sealed Header Connector Assembly, 12 Circuit, Color Mark Identification Black
应用	Wire-to-Board
元件类型	PCB Header
产品系列	MX120G Sealed Connectors
产品名称	MX120G
UPC	887191147673

机构

CSA	LR19980
UL	E29179

电气

每触点最大电流	10.5A
电压 - 最大	28V DC

物理

断开	否
回路数 (已载入)	12
电路数 (最多)	12
颜色-树脂	黑色
耐用性 (插拔次数) - 最多次数	10
先接后断	否
阻燃性	94HB
符合灼热丝规范	否

可配插产品指南	否
锁定插接部位	是
材料 - 金属	Brass
材料 - 接合部位电镀	Tin
材料 - 终端电镀	Tin
材料 - 树脂	Nylon
净重	8.357/g
行数	2
方向	Right Angle
包装形式	Carton
PC 焊脚长度	3.20mm
推荐的 PCB 厚度	1.60mm
间距 - 插配接口	3.20mm
间距 - 终端界面	3.50mm
有极性的插配件	是
PCB 极性	是
电源 - 信号配置	12p - 0s
自动布局	无
运行温度范围	-40° to +105° C
终端界面类型	Through Hole

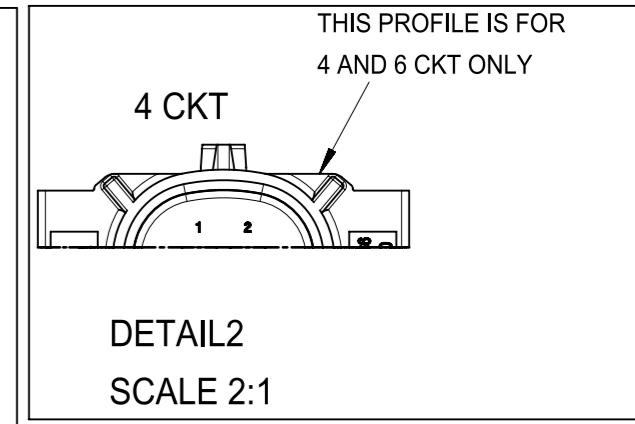
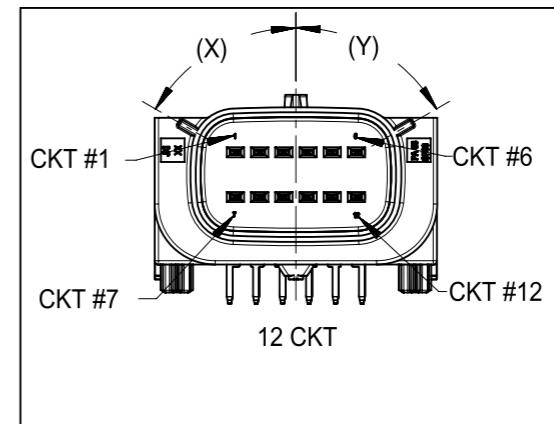
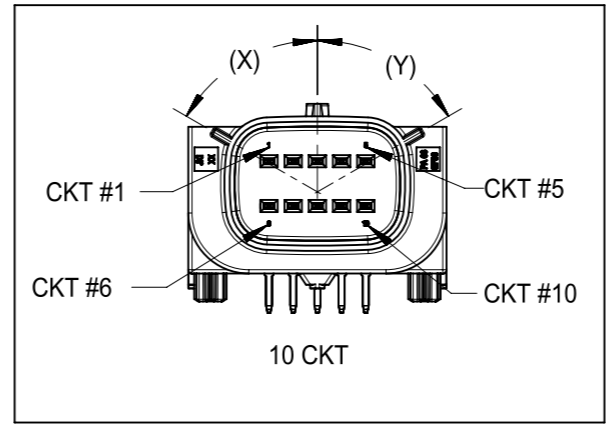
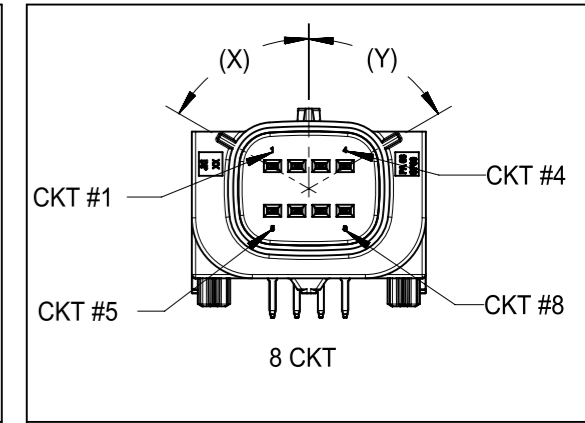
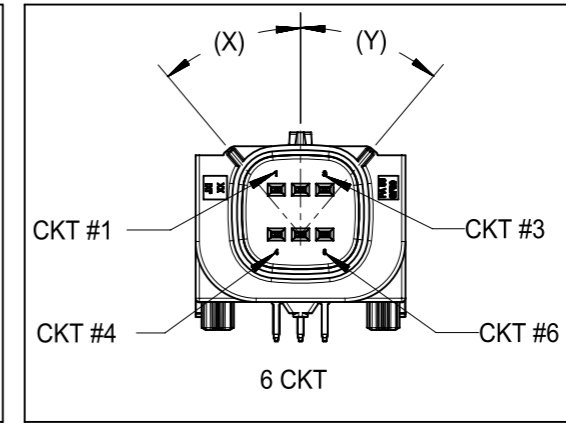
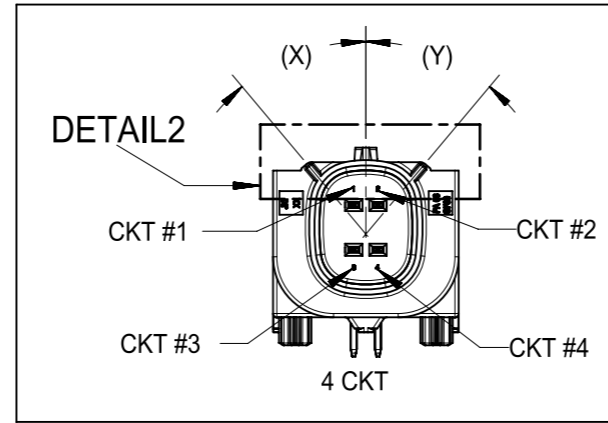
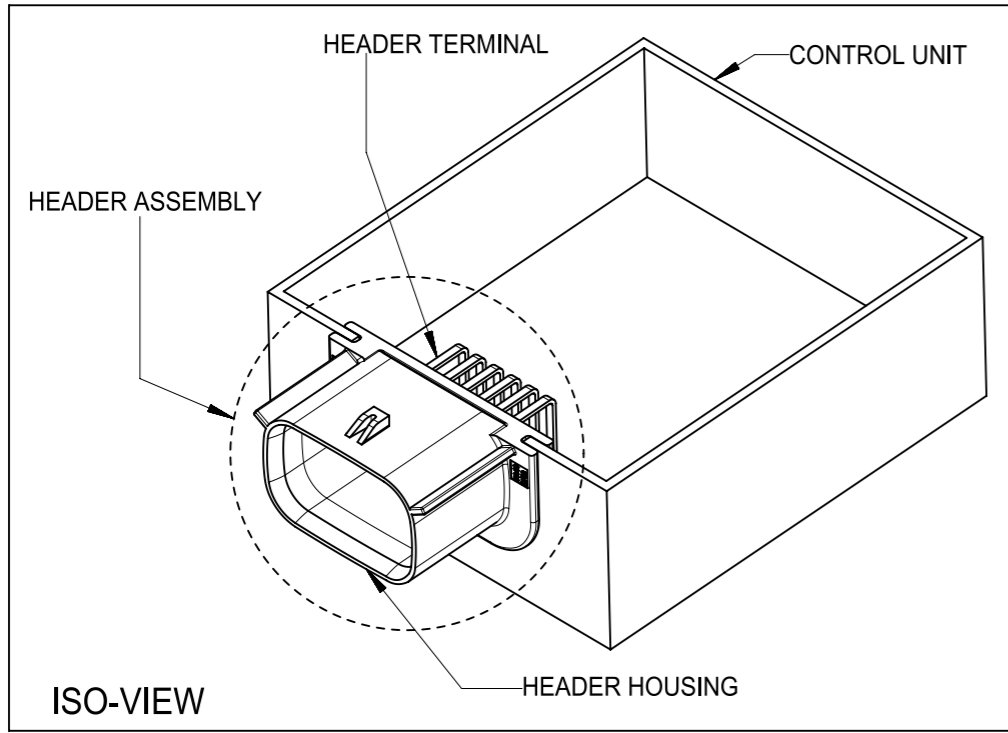
进程

无铅	WAVE
----	------

可配插/可连接使用的产品

可配插部件

描述	产品编号
MX120G Pitch Sealed Female Connector Assembly, Dual Row 12 Circuit, Black	<u>0367921201</u>

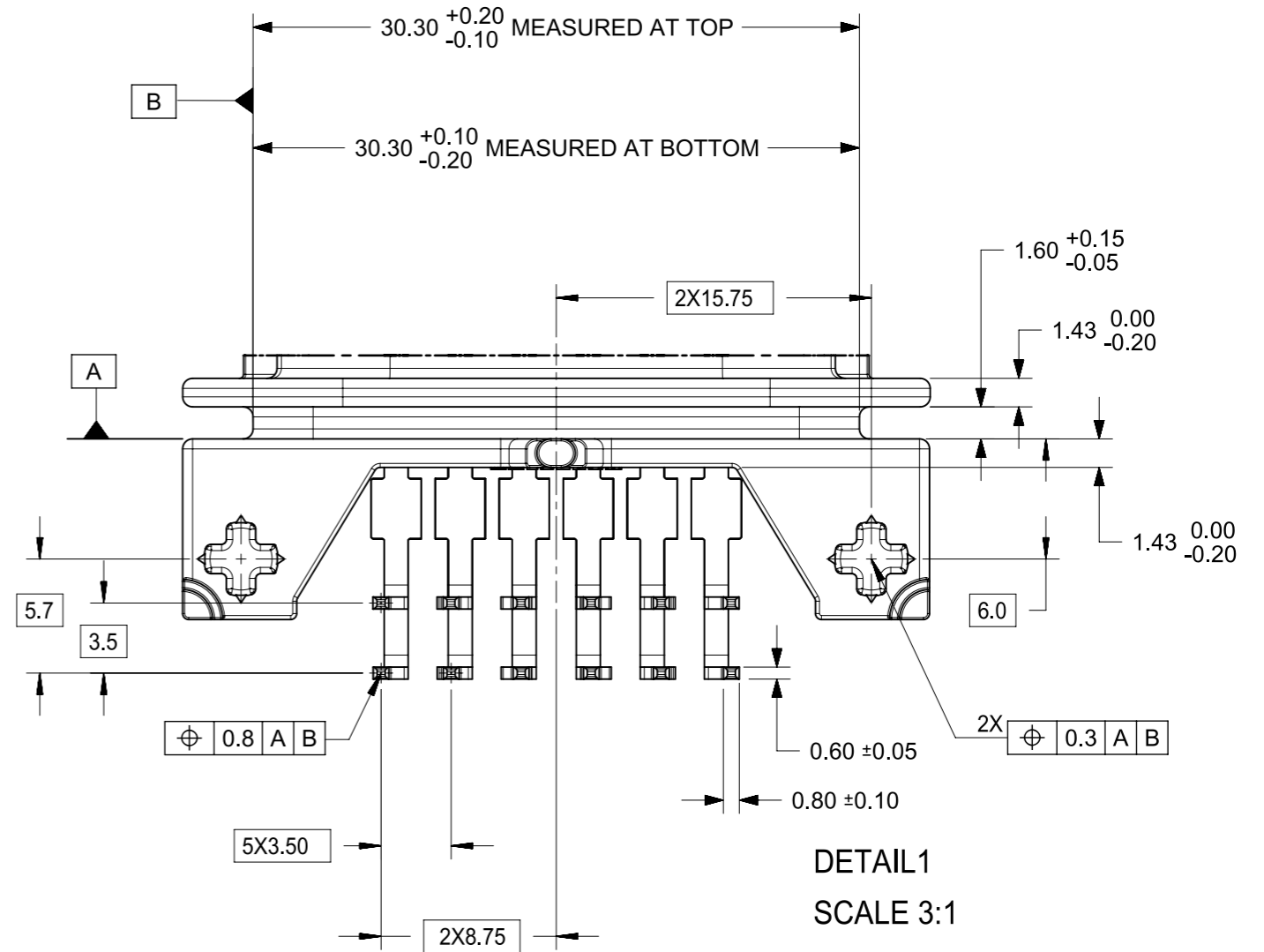
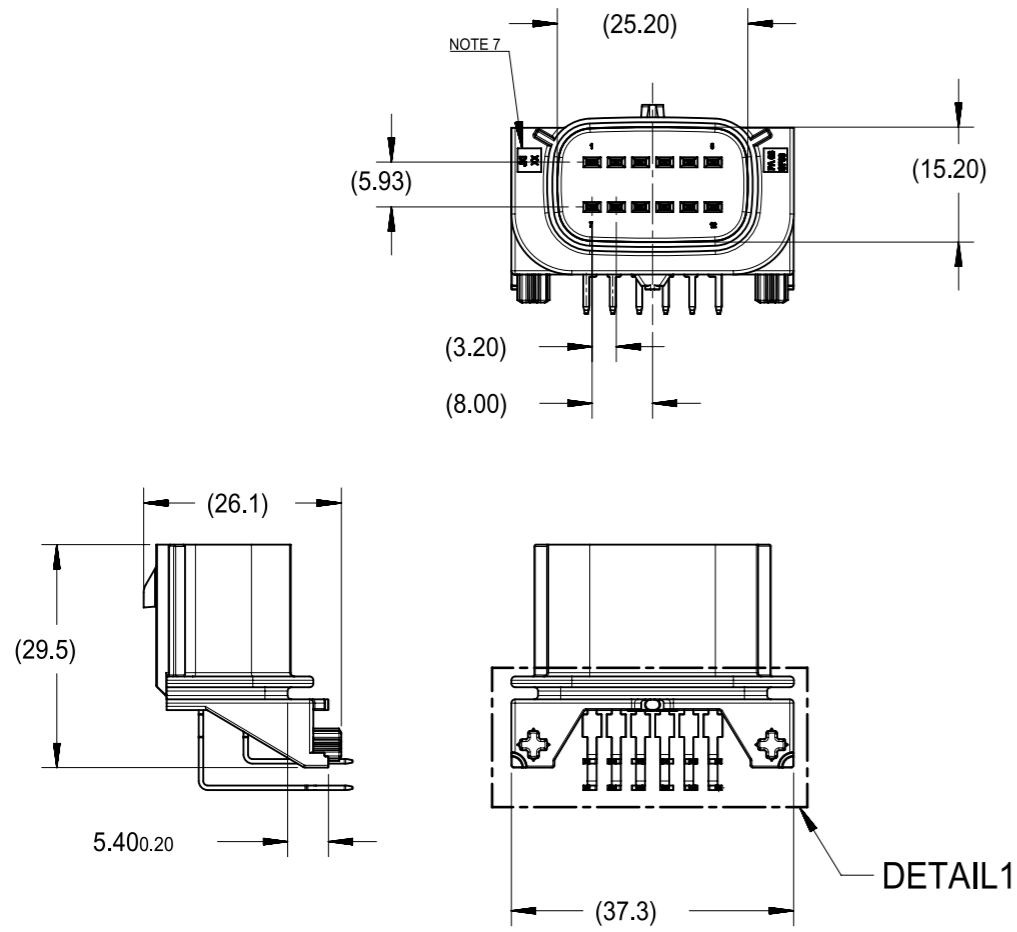


NOTES:

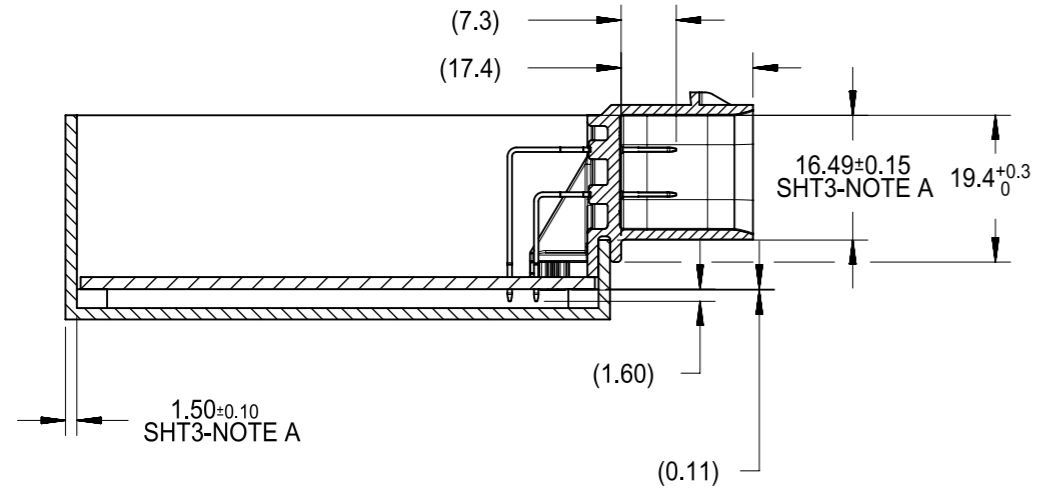
1. MATERIAL
 - A) HEADER HOUSING: HB RATED 30% GLASS FILLED NYLON
 - B) HEADER TERMINAL: BRASS
2. PLATING
 - POST-PLATED TIN 1 MICRON MINIMUM
3. HEADER TERMINALS WILL NOT HAVE BARE EDGES
4. PRODUCT WILL COMPLY WITH PS-36783-001
5. HEADER MATES WITH SERIES 36792
6. PCB THICKNESS CONSIDERED 1.6MM
7. CAVITY NUMBER WILL BE IDENTIFIED ON HEADER, LOCATION IS AS SHOWN
8. MANUFACTURING DATE CODE WILL BE IDENTIFIED ON BAR CODE LABEL SHIPPED AGAINST EACH ORDER. PARTS WILL BE TRACED AGAINST THIS
9. TRUE POSITION MEASUREMENTS FOR SOLDER TAIL WILL BE PROVIDED DURING INITIAL PPAP SUBMISSION. ONGOING THIS WILL BE CHECKED WITH GAUGE
10. ALL DIMENSIONS SHOWN ARE APPLICABLE AS RECEIVED INTO CUSTOMER PLACE. MOLEX OWNS RESPONSIBILITY FOR HEADER AS SHIPPED FROM MOLEX, ASSEMBLY OF HEADER ON TO CONTROL UNIT ALONG WITH ITS FUNCTIONALITY COMES UNDER CUSTOMER SCOPE.
11. COMPLY WITH PACKING SPECIFICATION PK-36783-001
12. PRODUCT TOOLING STATUS - PRODUCTION TOOLING AVAILABLE FOR 12 CIRCUIT ONLY (SEE TABLE A).

THIS DRAWING CONTAINS INFORMATION THAT IS PROPRIETARY TO MOLEX ELECTRONIC TECHNOLOGIES, LLC AND SHOULD NOT BE USED WITHOUT WRITTEN PERMISSION																	
QUALITY SYMBOLS	2017/10/17	2017/11/28	GENERAL TOLERANCES (UNLESS SPECIFIED)		DIMENSION UNITS		SCALE		<p>MX120G DUAL ROW 3.2/3.5 HEADER ASSY SEALED SYSTEM</p> <p>PRODUCT CUSTOMER DRAWING</p>								
			ANGULAR TOL ± °		mm		1:1										
▽ = 0	EC NO: 168591 DRWN: RGV CHK'D: APPR: VUTTARKAR	REV: F1	4 PLACES ±	°	DRWN BY		DATE					SERIES		MATERIAL NUMBER		CUSTOMER	
▽ = 0			3 PLACES ±	°	STHM01		2012/07/20					36783		SEE TABLE A & B		GENERAL MARKET	
▽ = 0			2 PLACES ±	°	CHK'D BY		DATE		DOCUMENT NUMBER		DOC TYPE		DOC PART		SHEET NUMBER		
▽ = 0			1 PLACE ±	°	APPR BY		DATE		SD-36783-004		PSD		001		1 OF 5		
▽ = 0			0 PLACES ±	°	DRAFT WHERE APPLICABLE MUST REMAIN WITHIN DIMENSIONS		DRAWING SIZE		THIRD ANGLE PROJECTION								
▽ = 0							A3										

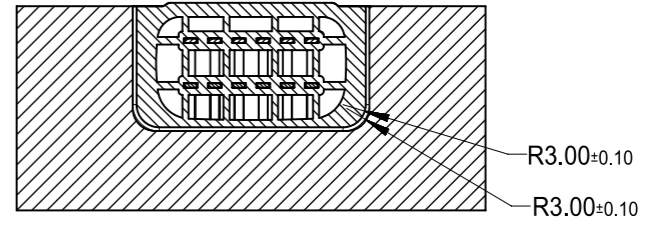
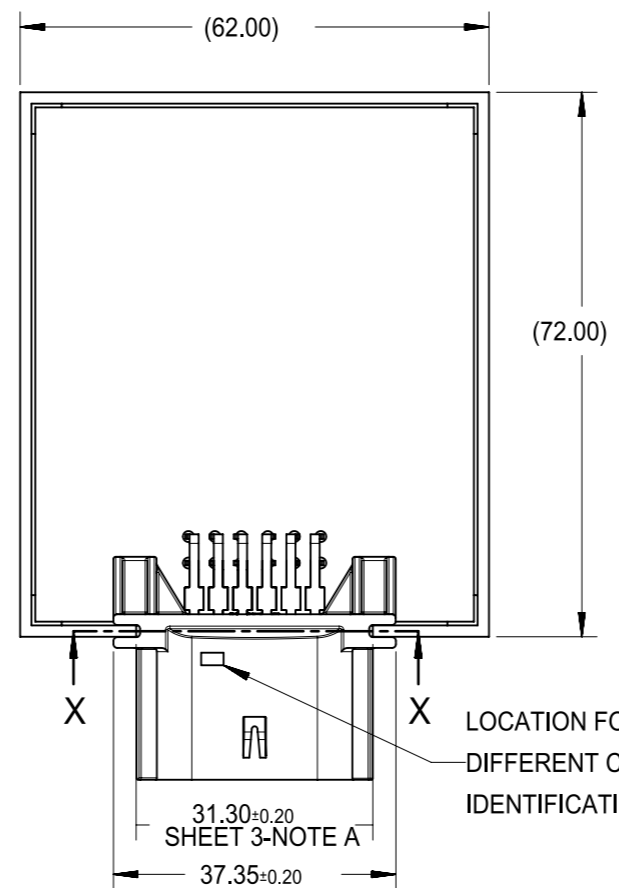
12CKT HEADER DIMENSIONS DETAILS- SEE BELOW IN SHEET 2 OF 4



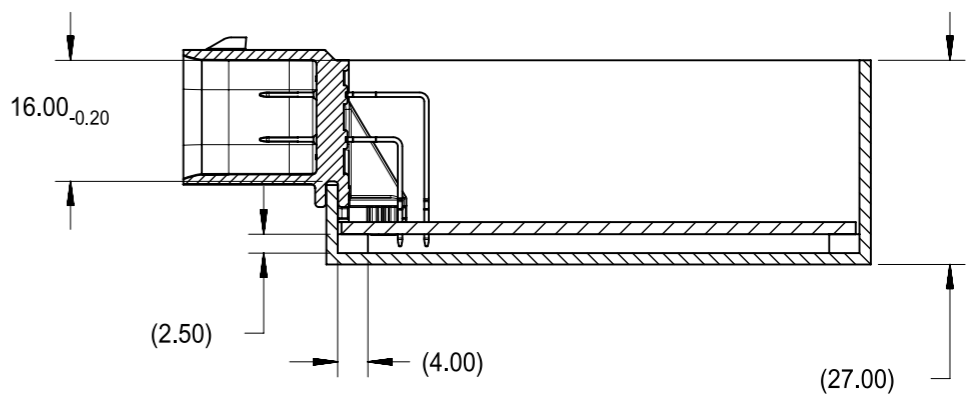
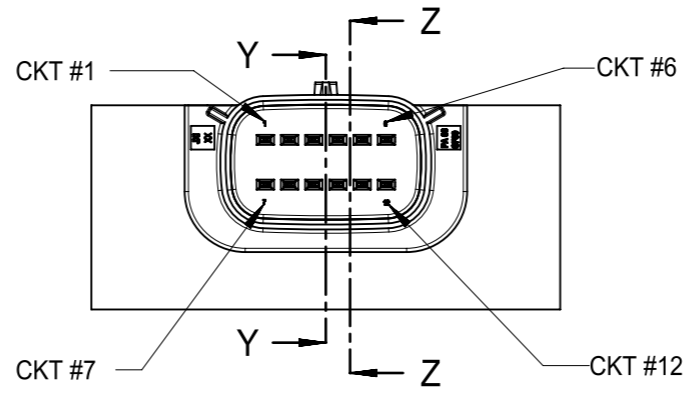
THIS DRAWING CONTAINS INFORMATION THAT IS PROPRIETARY TO MOLEX ELECTRONIC TECHNOLOGIES, LLC AND SHOULD NOT BE USED WITHOUT WRITTEN PERMISSION											
QUALITY SYMBOLS 	EC NO: 168591 DRWN: RGV CHK'D: APPR: VUTTARKAR	2017/10/17 2017/11/28	GENERAL TOLERANCES (UNLESS SPECIFIED)		DIMENSION UNITS	SCALE					
			ANGULAR TOL ± °		mm	1:1					
			4 PLACES ±		DRWN BY	DATE	MX120G DUAL ROW 3.2/3.5 HEADER ASSY SEALED SYSTEM				
			3 PLACES ±		STHM01	2012/07/20					
			2 PLACES ±		CHK'D BY	DATE	PRODUCT CUSTOMER DRAWING				
			1 PLACE ±		CHKD BY						
			0 PLACES ±		APPR BY	DATE	SERIES MATERIAL NUMBER CUSTOMER 36783 SEE TABLE A & B GENERAL MARKET				
			DRAFT WHERE APPLICABLE MUST REMAIN WITHIN DIMENSIONS		DRAWING SIZE	THIRD ANGLE PROJECTION					
					A3						



SECTION Y-Y



SECTION X-X



SECTION Z-Z

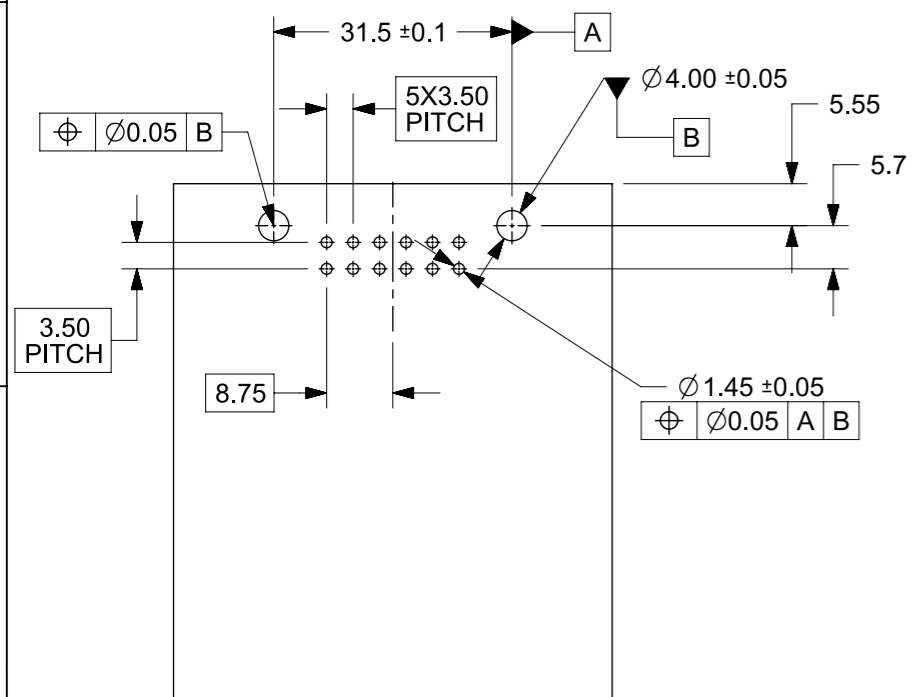
NOTE A
 - ALL THESE DIMENSIONS ARE BOX DIMENSIONS TOL. OF THESE ARE CONSIDERED AS GENERAL TOL. AS MENTIONED AGAINST THE DIMENSIONS.

THIS DRAWING CONTAINS INFORMATION THAT IS PROPRIETARY TO MOLEX ELECTRONIC TECHNOLOGIES, LLC AND SHOULD NOT BE USED WITHOUT WRITTEN PERMISSION															
QUALITY SYMBOLS		2017/10/17		2017/11/28		GENERAL TOLERANCES (UNLESS SPECIFIED)		DIMENSION UNITS		SCALE					
▽	= 0	EC NO: 168591 DRWN: RGV CHK'D: APPR: VUTTARKAR		F1		ANGULAR TOL ± °		mm		1:1					
▽	= 0							4 PLACES ±		DRWN BY		DATE			
▽	= 0							3 PLACES ±		STHM01		2012/07/20			
▽	= 0							2 PLACES ±		CHK'D BY		DATE			
▽	= 0							1 PLACE ±		CHKD BY		DATE			
▽	= 0							0 PLACES ±		APPR BY		DATE			
▽	= 0	DRAFT WHERE APPLICABLE MUST REMAIN WITHIN DIMENSIONS		A3		THIRD ANGLE PROJECTION		PRODUCT CUSTOMER DRAWING							
RELEASE STATUS		P1		RELEASE DATE		28.11.2017		11:02:34		SERIES		MATERIAL NUMBER		CUSTOMER	
SD-36783-004		PSD		001		3 OF 5		36783		SEE TABLE A & B		GENERAL MARKET			

TABLE A

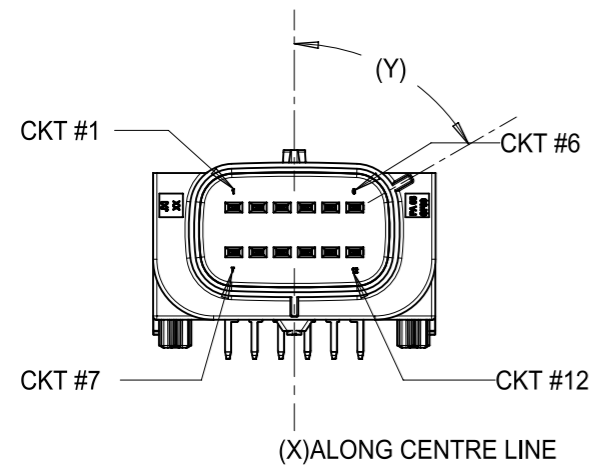
PART #	CIRCUIT SIZE	HEADER HOUSING COLOUR	COLOR MARK IDENTIFICATION	KEYING DIMENSION		STATUS	HEADER HOUSING QTY	HEADER TERMINAL QTY
				(X)	(Y)			
367830401	4	BLACK	-	40°	40°	NOT TOOLED	1	4
367830402	4		BROWN	40°	40°			
367830403	4		RED	40°	40°			
367830404	4		GREEN	40°	40°			
367830405	4		GREY	40°	40°			
367830406	4		BLUE	40°	40°			
367830407	4		YELLOW	40°	40°			
367830408	4		WHITE	40°	40°			
367830601	6	BLACK	-	40°	40°	NOT TOOLED	1	6
367830602	6		BROWN	40°	40°			
367830603	6		RED	40°	40°			
367830604	6		GREEN	40°	40°			
367830605	6		GREY	40°	40°			
367830606	6		BLUE	40°	40°			
367830607	6		YELLOW	40°	40°			
367830608	6		WHITE	40°	40°			
367830801	8	BLACK	-	60°	60°	NOT TOOLED	1	8
367830802	8		BROWN	60°	60°			
367830803	8		RED	60°	60°			
367830804	8		GREEN	60°	60°			
367830805	8		GREY	60°	60°			
367830806	8		BLUE	60°	60°			
367830807	8		YELLOW	60°	60°			
367830808	8		WHITE	60°	60°			

PART #	CIRCUIT SIZE	HEADER HOUSING COLOUR	COLOR MARK IDENTIFICATION	KEYING DIMENSION		STATUS	HEADER HOUSING QTY	HEADER TERMINAL QTY
				(X)	(Y)			
367831001	10	BLACK	-	60°	60°	NOT TOOLED	1	10
367831002	10		BROWN	60°	60°			
367831003	10		RED	60°	60°			
367831004	10		GREEN	60°	60°			
367831005	10		GREY	60°	60°			
367831006	10		BLUE	60°	60°			
367831007	10		YELLOW	60°	60°			
367831008	10		WHITE	60°	60°			
367831201	12	BLACK	-	60°	60°	TOOLED	1	12
367831202	12		BROWN	60°	60°			
367831203	12		RED	60°	60°			
367831204	12		GREEN	60°	60°			
367831205	12		GREY	60°	60°			
367831206	12		BLUE	60°	60°			
367831207	12		YELLOW	60°	60°			
367831208	12		WHITE	60°	60°			
367831209	12		ORANGE	60°	60°			
367831210	12		VIOLET	60°	60°			
367831211	12		PINK	60°	60°			

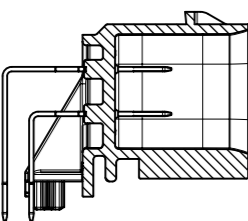
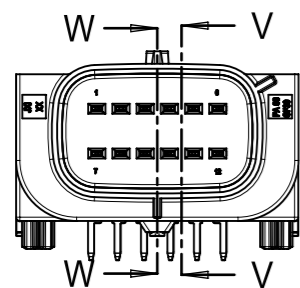


PCB LAYOUT
(12 CKT HEADER ONLY)

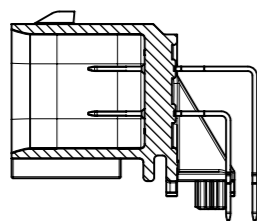
QUALITY SYMBOLS ▽A = 0 ▽E = 0 ▽F = 0 ▼ = 0 ▽C = 0 ⊠ = 0 ■ = 0 ▽ = 0	THIS DRAWING CONTAINS INFORMATION THAT IS PROPRIETARY TO MOLEX ELECTRONIC TECHNOLOGIES, LLC AND SHOULD NOT BE USED WITHOUT WRITTEN PERMISSION		DIMENSION UNITS mm	SCALE 1:1			
	EC NO: 168591 DRWN: RGV CHK'D: APPR: VUTTARKAR	2017/10/17 2017/11/28	GENERAL TOLERANCES (UNLESS SPECIFIED) ANGULAR TOL ± ° 4 PLACES ± 3 PLACES ± 2 PLACES ± 1 PLACE ± 0 PLACES ± DRAFT WHERE APPLICABLE MUST REMAIN WITHIN DIMENSIONS	DRWN BY STHM01		DATE 2012/07/20	MX120G DUAL ROW 3.2/3.5 HEADER ASSY SEALED SYSTEM
EC NO: 168591 DRWN: RGV CHK'D: APPR: VUTTARKAR		DRWN BY STHM01	DATE 2012/07/20	PRODUCT CUSTOMER DRAWING			
EC NO: 168591 DRWN: RGV CHK'D: APPR: VUTTARKAR		DRAWING SIZE A3	THIRD ANGLE PROJECTION	SERIES 36783	MATERIAL NUMBER SEE TABLE A & B	CUSTOMER GENERAL MARKET	
EC NO: 168591 DRWN: RGV CHK'D: APPR: VUTTARKAR		F1	REV	DOCUMENT NUMBER SD-36783-004	DOC TYPE PSD	DOC PART 001	SHEET NUMBER 4 OF 5



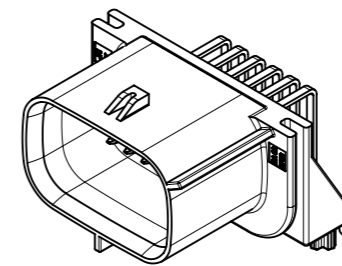
12 CKT - VIEW ONLY FOR P/N 367831213 (SEE NOTE B)



SECTION W-W



SECTION V-V



ISOMETRIC VIEW
P/N 367831213

TABLE B

PART #	CIRCUIT SIZE	HEADER HOUSING COLOUR	COLOR MARK IDENTIFICATION	KEYING DIMENSION		STATUS	HEADER HOUSING QTY	HEADER TERMINAL QTY
				(X)	(Y)			
367831212	12	GREY COLOUR	-	60°	60°	NOT TOOLED	1	12
367831213	12			0° (ALONG CENTRE LINE)	60°			

NOTE B:

- P/N 367831212 IS AS SAME AS 367831201 WITH THE GREY COLOUR HOUISNG.
- P/N 367831213 IS SAME AS P/N 367831201 WITH DIFFERENT KEY CODING (X)-0° ALONG CENTRE LINE , (Y)-60° AND WITH GREY COLOUR HOUSING.
- FOR P/N 367831213 KEY CODE (X)-0° ALONG CENTRE LINE IS ALIGNED TO THE BOTTOM SIDE.
- ALL OTHER DIMENSIONS FOR P/N 367831213 WILL REMAIN SAME AS PER P/N 367831201.

THIS DRAWING CONTAINS INFORMATION THAT IS PROPRIETARY TO MOLEX ELECTRONIC TECHNOLOGIES, LLC AND SHOULD NOT BE USED WITHOUT WRITTEN PERMISSION												
QUALITY SYMBOLS	2017/10/17	2017/11/28	GENERAL TOLERANCES (UNLESS SPECIFIED)		DIMENSION UNITS	SCALE						
			ANGULAR TOL ± °		mm	1:1						
▽A = 0	EC NO: 168591 DRWN: RGV CHK'D: APPR: VUTTARKAR	2017/11/28	4 PLACES ±	°	DRWN BY	DATE	MX120G DUAL ROW 3.2/3.5 HEADER ASSY SEALED SYSTEM					
▽E = 0			3 PLACES ±	°	STHM01	2012/07/20						
▽F = 0			2 PLACES ±	°	CHK'D BY	DATE	PRODUCT CUSTOMER DRAWING					
▼ = 0			1 PLACE ±	°	CHKD BY	DATE						
▽C = 0			0 PLACES ±	°	APPR BY	DATE	SERIES	MATERIAL NUMBER	CUSTOMER			
⊗ = 0			DRAFT WHERE APPLICABLE MUST REMAIN WITHIN DIMENSIONS		DRAFT WHERE APPLICABLE MUST REMAIN WITHIN DIMENSIONS		STHM01	2012/07/20	36783	SEE TABLE A & B	GENERAL MARKET	
■ = 0	F1		A3		DRAWING SIZE		THIRD ANGLE PROJECTION		DOCUMENT NUMBER	DOC TYPE	DOC PART	SHEET NUMBER
▽ = 0	F1		A3		A3		THIRD ANGLE PROJECTION		SD-36783-004	PSD	001	5 OF 5