



产品编号：[39012106](#)

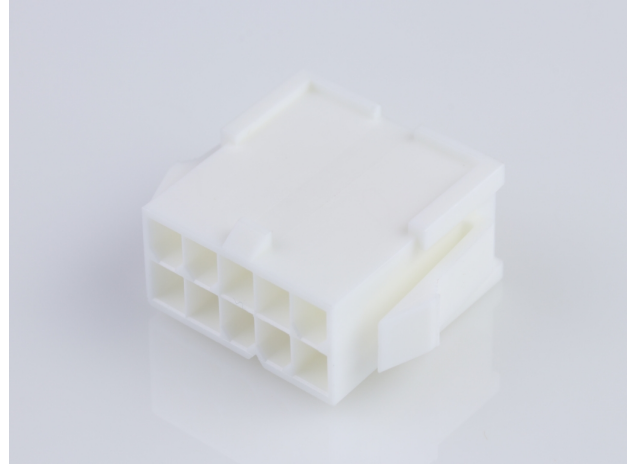
Product Description：Mini-Fit Jr. Plug Housing, Dual Row, 10 Circuits, UL 94V-0, with Panel Mounting Ears, Natural

系列号：5559

状态：Active

Product Category：Connector Housings

工程编号：5559-10P-210



## 文件和资源

### 图纸

[图纸 039012106\\_sd.pdf](#)

### 3D 模型和设计文件

[3D模型 039012106\\_stp.zip](#)

### 规格

[应用规格 AS-5557-001-001.pdf](#)

[应用规格 55560001-AS-000.pdf](#)

[包装规格 PK-5559-001-001.pdf](#)

[产品规格 PS-45750-001-001.pdf](#)

[产品规格 PS-5556-001-001.pdf](#)

[测试摘要 55560010-TS-000.pdf](#)

## 产物环境合规

### 合规

GADSL/IMDS	Not Relevant
China RoHS	
EU ELV	Compliant per 2000/53/EC
Low-Halogen Status	Low-Halogen per IEC 61249-2-21
REACH SVHC	Not Contained per D(2023)3788-DC (14 Jun 2023)
EU RoHS	Compliant per EU 2015/863

[多部分产品合规性声明](#)

- Eu RoHS
- REACH SVHC
- Low-Halogen

多部分行业合规性文件

- IPC 1752A Class C
- IPC 1752A Class D
- Molex Product Compliance Declaration
- IEC-62474
- chemSHERPA (xml)

欧盟 RoHS 合格证书

## 产品详情

### 常规

状态	活动
类别	Connector Housings
系列	5559
说明	Mini-Fit Jr. Plug Housing, Dual Row, 10 Circuits, UL 94V-0, with Panel Mounting Ears, Natural
应用	Power, Wire-to-Board, Wire-to-Wire
个评论	Current = 13A max. per circuit when header is mated to a receptacle loaded with 45750 series terminals crimped to 16 AWG wire. See Molex product specification PS-45750-001 for additional current derating information.
产品系列	Mini-Fit Family Power Connectors
产品名称	Mini-Fit Jr.
UPC	800753757684

### 机构

CSA	LR19980
UL	E29179

### 物理

断开	否
电路数 (最多)	10

颜色-树脂	Natural
阻燃性	94V-0
性别	Plug
符合灼热丝规范	否
材料 - 树脂	Nylon
净重	3291.600/mg
行数	2
包装形式	Bag
面板安装式	是
间距 - 插配接口	4.20mm
间距 - 终端界面	4.20mm
有极性的插配件	是
可堆叠的	否
运行温度范围	-40° to +105° C

## 可配插/可连接使用的产品

### 可配插部件

描述	产品编号
Mini-Fit Jr. Receptacle Housings	<u>5557</u>
Mini-Fit Jr.-to-Mini-Fit Jr. Off-the-Shelf (OTS) Overmolded Cable Assemblies	<u>245135</u>

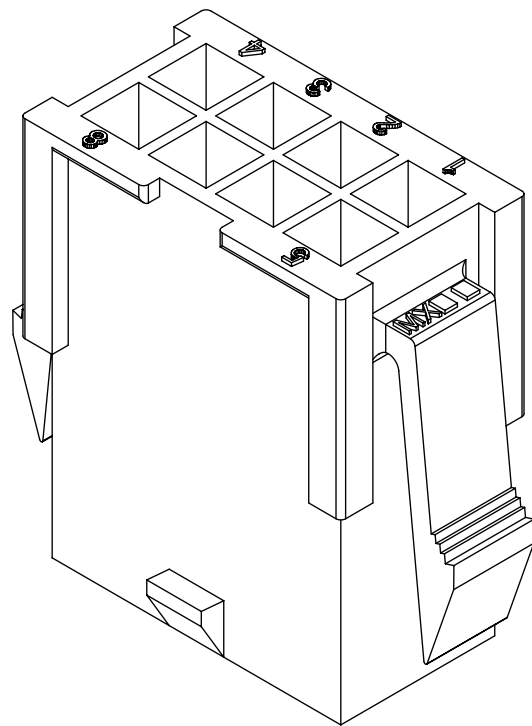
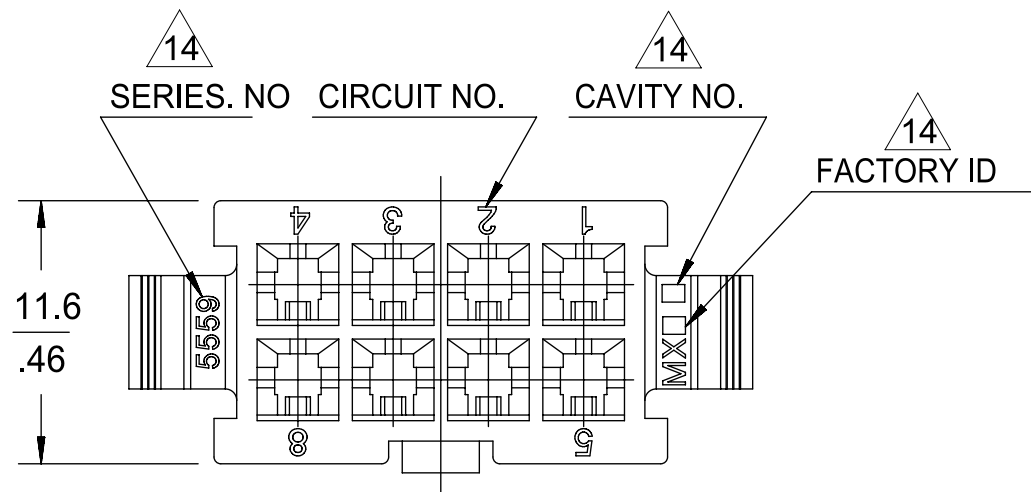
### 可连接使用部件

描述	产品编号
Pre-Crimped Lead Mini-Fit Male-to-Mini-Fit Male, Tin (Sn) Plating, 150.00mm Length, 18 AWG, Red	<u><a href="/content/molex/molex-dot-com/cn/zh/products/product-page.html/797580005.html">/content/molex/molex-dot-com/cn/zh/products/product-page.html/797580005.html</a></u>
Pre-Crimped Lead Mini-Fit Male-to-Mini-Fit Male, Tin (Sn) Plating, 300.00mm Length, 18 AWG, Red	<u><a href="/content/molex/molex-dot-com/cn/zh/products/product-page.html/797580013.html">/content/molex/molex-dot-com/cn/zh/products/product-page.html/797580013.html</a></u>
Mini-Fit Male Crimp Terminals	<u>5558</u>
Mini-Fit Plus Male Crimp Terminals	<u>46012</u>
Mini-Fit Jr. Crimp Grounding Terminals	<u>30490</u>

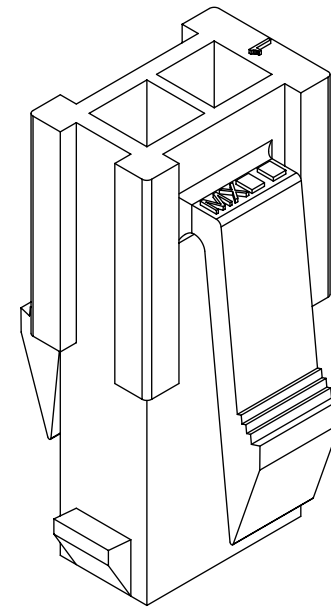
---

---

This document was generated on Jan 02, 2024



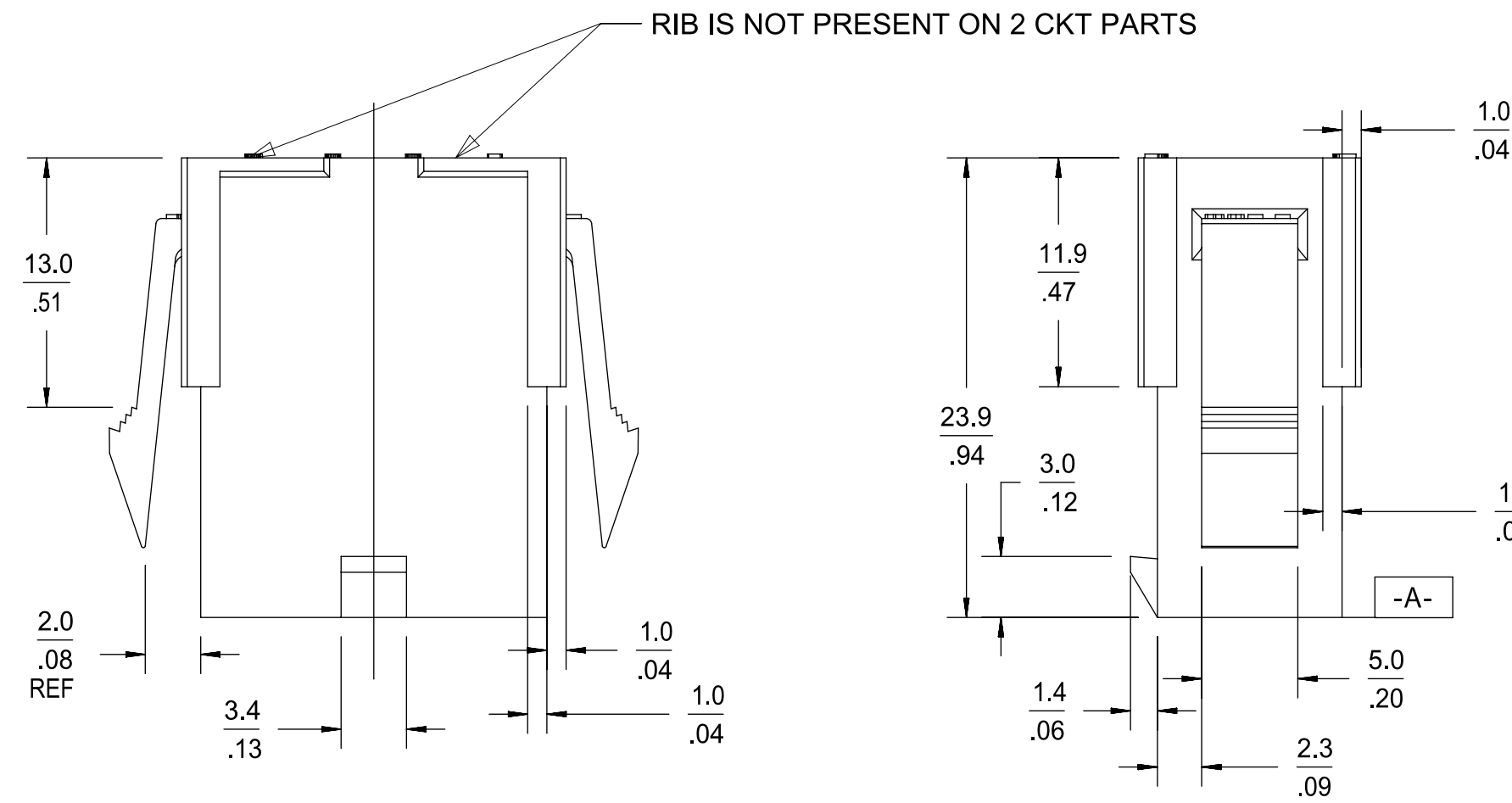
8 CKT SHOWN



2 CKT SHOWN

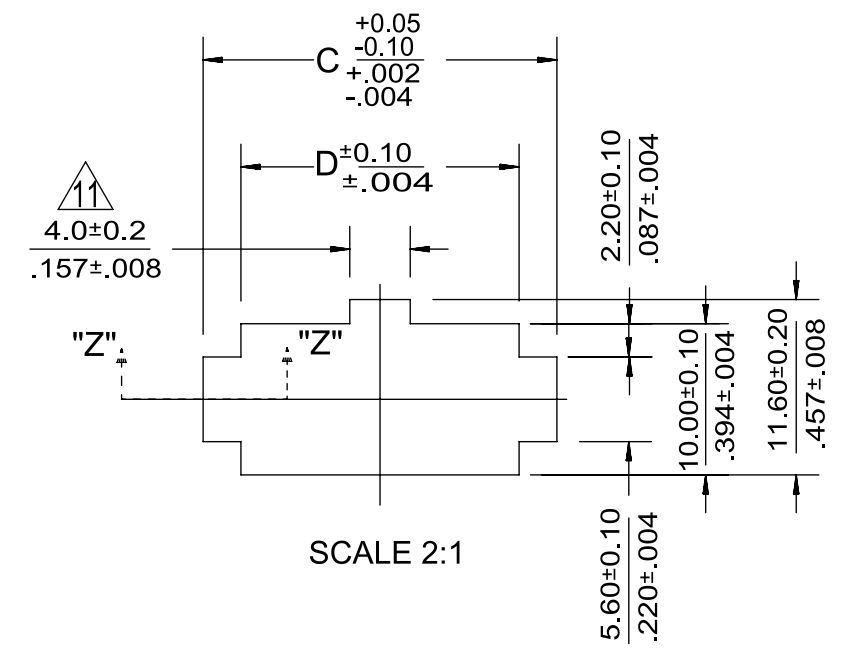
NOTES:

- 1) MATERIAL:  
 "BLANK" = NYLON 6/6, 94V-2, COLOR: NATURAL.  
 "BL" = NYLON 6/6, 94V-2, COLOR: BLACK.  
 "BU" = NYLON 6/6, 94V-2, COLOR: BLUE.  
 "RE" = NYLON 6/6, 94V-2, COLOR: RED.  
 "210" = NYLON 6/6, 94V-0, COLOR: NATURAL.  
 "400" = NYLON 6/6, 94V-0, COLOR: BLACK.
- 2) FINISH: NOT APPLICABLE
- 3) PRODUCT SPECIFICATION: PS-5556-001
- 4) PACKAGING: BULK PACKED PER PK-5559-001
- 5) PART MATES WITH MOLEX RECEPTACLE #5557, 172708-0\*\*\*, 172708-1\*\*\*.
- 6) PART TO BE USED WITH MOLEX MALE TERMINAL #5558, #46012.
- 7) PART IS NOT DESIGNED FOR CURRENT SHARING.
- 8) CONNECTORS ARE NOT TO BE MATED OR UNMATED WHILE CIRCUITS ARE LIVE.
- 9) WIRES ARE TO BE DRESSED IN SUCH A MANNER TO ALLOW THE TERMINALS TO FLOAT FREELY IN THE POCKET.
- 10) PART CONFORMS TO CLASS "B" REQUIREMENTS OF COSMETIC SPECIFICATION PS-45499-002 WITH THE EXCEPTION OF DISCOLORATION, FLASH AND SINK MEET CLASS "C" REQUIREMENTS.
- 11) ON 2 CIRCUITS PARTS THIS DIMENSION IS ALLOWABLE UP TO "D" DIMENSION.
- 12) PANEL HOLE TO BE PUNCHED OUT IN THE SAME DIRECTION AS INSERTION INTO THE PANEL.
- 13) TO BE MEASURED AT SURFACE -A-
- 14) TEXT ON PART IS FOR REFERENCE ONLY. TEXT AND TEXT LOCATION MAY VARY DEPENDING ON PART NUMBER AND/OR TOOL.

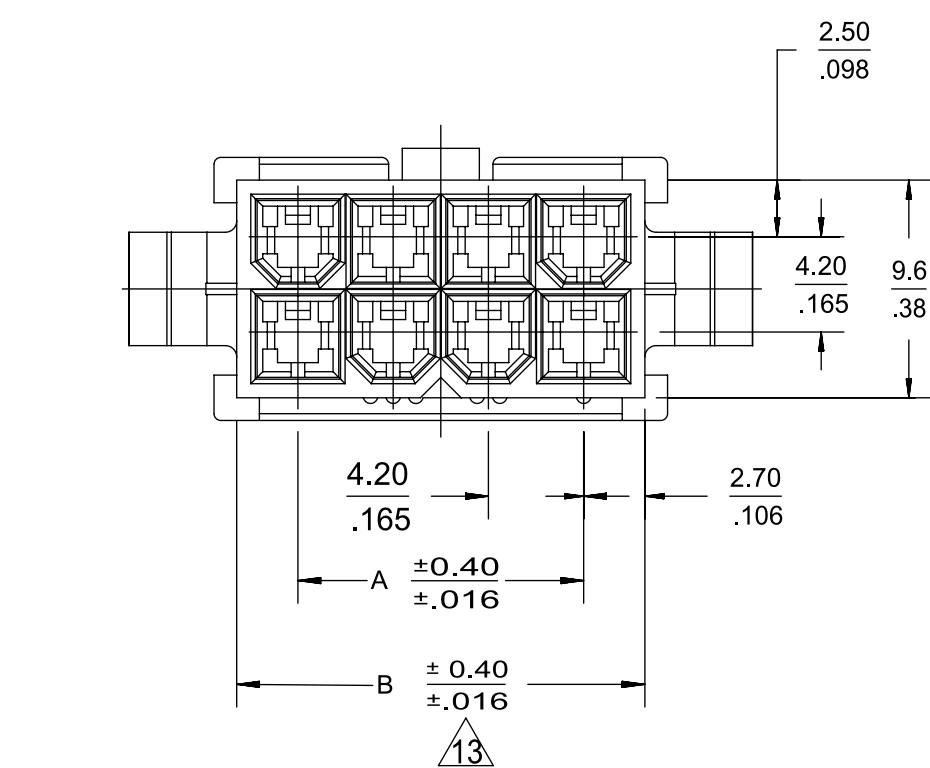
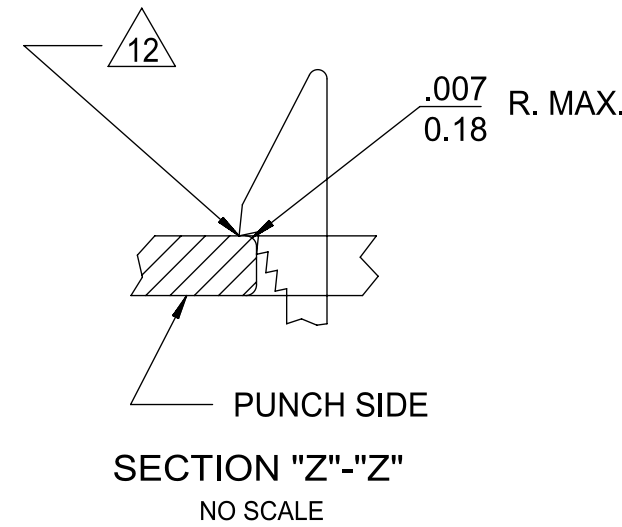


LEGEND

5559-\*\*\* P - \*  
 BASE NO MATERIAL OPTION:  
 (SEE NOTE 1)  
 CIRCUIT SIZE  
 02-24)  
 HOUSING TYPE:  
 PLUG WITH  
 MOUNTING EARS



12 RECOMMENDED PANEL HOLE DIMENSIONS  
 (THICKNESS : 0.8-2.0/.032-.079)

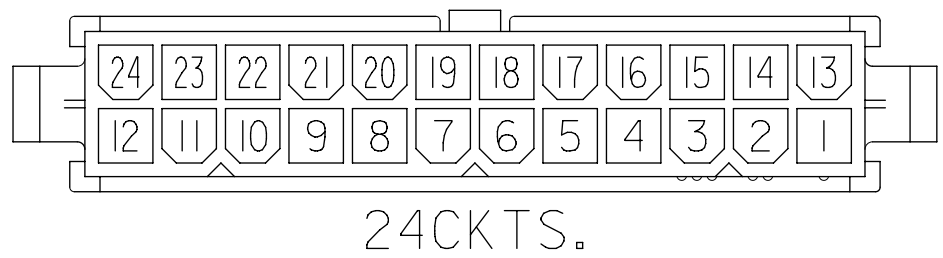
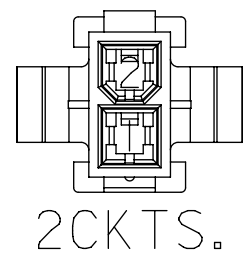
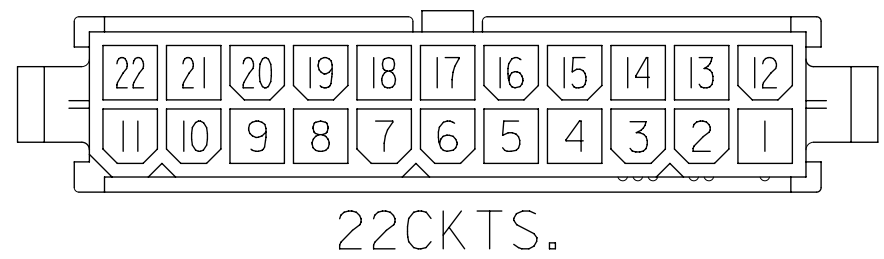
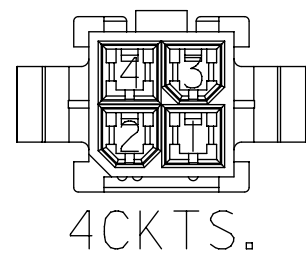
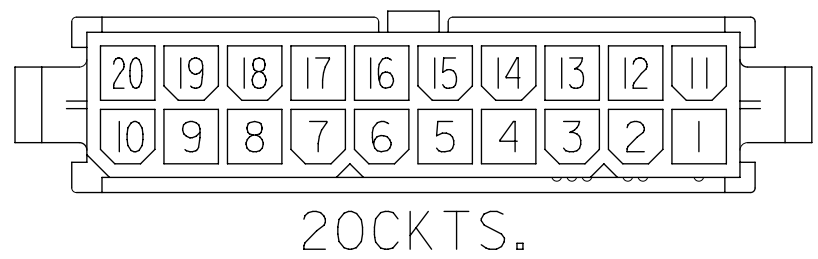
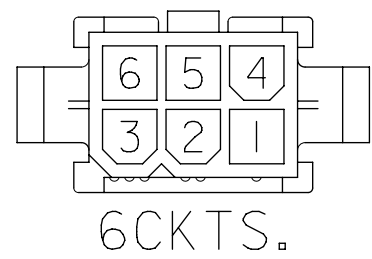
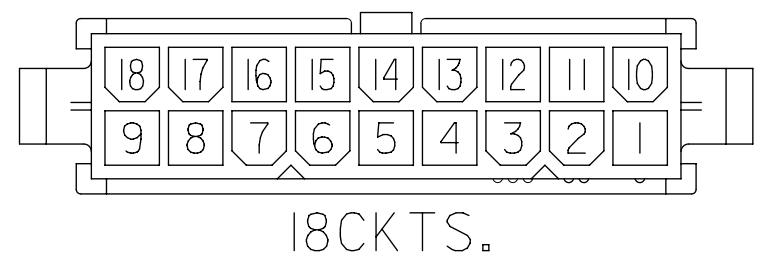
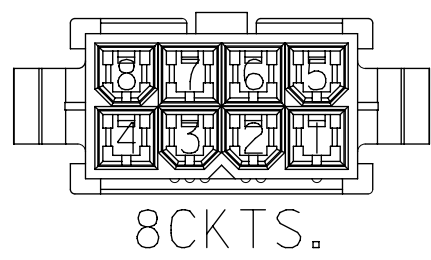
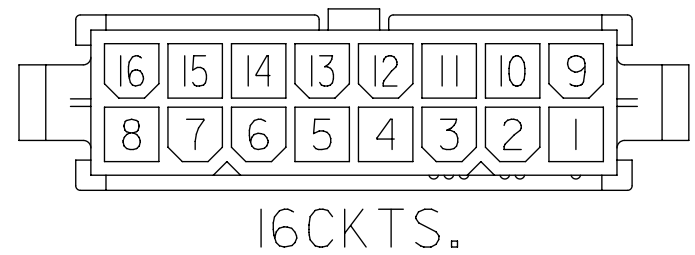
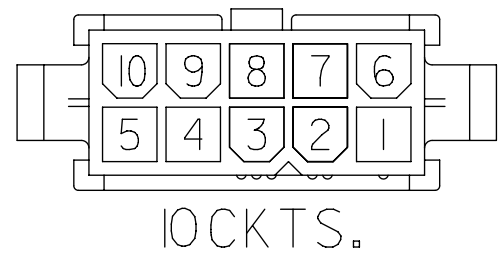
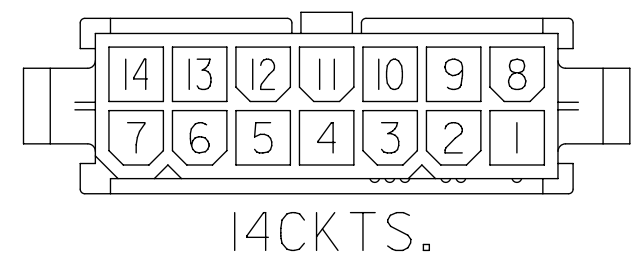
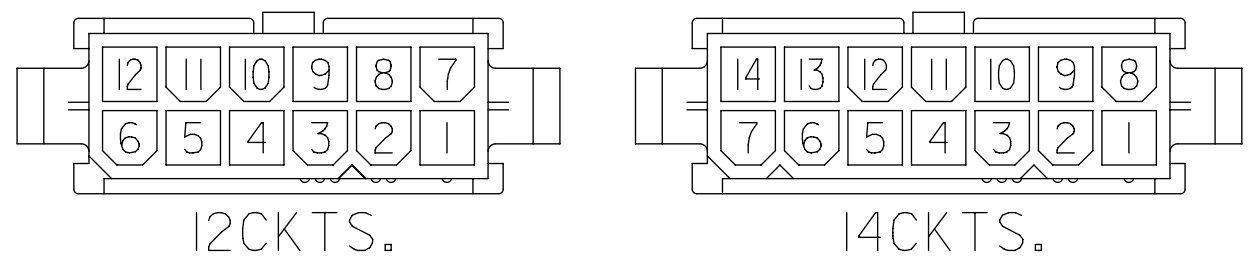


52.1/2.051	57.0/2.244	51.6/2.031	46.2/1.819	24
47.9/1.886	52.8/2.079	47.4/1.866	42.0/1.654	22
43.7/1.720	48.6/1.913	43.2/1.701	37.8/1.488	20
39.5/1.555	44.4/1.748	39.0/1.535	33.6/1.323	18
35.3/1.390	40.2/1.583	34.8/1.370	29.4/1.158	16
31.1/1.224	36.0/1.417	30.6/1.205	25.2/.992	14
26.8/1.055	31.8/1.252	26.4/1.039	21.0/.827	12
22.6/.890	27.6/1.087	22.2/.874	16.8/.661	10
18.4/.724	23.4/.921	18.0/.709	12.6/.496	8
14.2/.559	19.2/.756	13.8/.543	8.4/.331	6
10.0/.394	15.0/.591	9.6/.378	4.2/.165	4
5.8/.228	10.8/.425	5.4/.213	—	2
D	C	B	A	CIRCUIT

THIS DRAWING CONTAINS INFORMATION THAT IS PROPRIETARY TO MOLEX ELECTRONIC TECHNOLOGIES, LLC AND SHOULD NOT BE USED WITHOUT WRITTEN PERMISSION				
DIMENSION UNITS		SCALE		CURRENT REV DESC:
IN/MM		NTS		
GENERAL TOLERANCES (UNLESS SPECIFIED)				
		MM	INCH	
4 PLACES	±	±		
3 PLACES	±	± 0.012		
2 PLACES	±	0.3 ± 0.016		
1 PLACE	±	0.4 ±		
0 PLACES	±	±		
ANGULAR TOL		± 3.0 °		
DRAFT WHERE APPLICABLE MUST REMAIN WITHIN DIMENSIONS		THIRD ANGLE PROJECTION		
		DRAWING		
		SERIES		
		MATERIAL NUMBER		
		CUSTOMER		
		SHEET NUMBER		
EC NO: 768511	DRWN: JERRYW8	2023/11/02		
CHK'D: XQZHANG	2023/11/15			
APPR: XQZHANG	2023/11/15			
INITIAL REVISION:			PRODUCT CUSTOMER DRAWING	
DRWN: H.HIRAMOTO	1998/10/14	DOCUMENT NUMBER		DOC TYPE
APPR: E.ENOMOTO	1998/10/24	55590020-SD		DOC PART
		GENERAL MARKET		REVISION
		SEE TABLE		A3
		C-SIZE		
		5559		
		GENERAL MARKET		
		1 OF 2		

THIS DRAWING REPLACES SD-5559-NP

DOCUMENT STATUS	P1	RELEASE DATE	2023/11/15	09:48:26
-----------------	----	--------------	------------	----------



CIRCUIT SIZE LAYOUT (SCALE : 2-1)

V-2 BLACK			V-0 BLACK		
46999-0157	5559-24P-BL	24	46999-0304	5559-24P-400	24
		22	46999-0303	5559-22P-400	22
39-02-8205	5559-20P-BL	20	46999-0302	5559-20P-400	20
		18	46999-0301	5559-18P-400	18
		16	46999-0300	5559-16P-400	16
		14	46999-0299	5559-14P-400	14
		12	46999-0298	5559-12P-400	12
		10	46999-0297	5559-10P-400	10
		8	46999-0296	5559-08P-400	8
39-02-8065	5559-06P-BL	6	46999-0295	5559-06P-400	6
		4	46999-0294	5559-04P-400	4
		2	46999-0293	5559-02P-400	2
EDP NO.	ENG. NO.	CIRCUIT	EDP NO.	ENG. NO.	CIRCUIT

V-2 BLUE			V-2 RED			V-0 NATURAL			V-2 NATURAL		
		24			24	39-01-2246	5559 -24P-210	24	39-01-2241	5559-24P	24
		22			22	▲ -2226	▲ -22P-210	22	▲ -2221	▲ -22P	22
		20			20	-2206	-20P-210	20	-2201	-20P	20
		18			18	-2186	-18P-210	18	-2181	-18P	18
		16			16	-2166	-16P-210	16	-2161	-16P	16
		14			14	-2146	-14P-210	14	-2141	-14P	14
		12			12	-2126	-12P-210	12	-2121	-12P	12
		10			10	-2106	-10P-210	10	-2101	-10P	10
		8			8	-2086	-08P-210	8	-2081	-08P	8
		6			6	-2066	-06P-210	6	-2061	-06P	6
		4			4	▼ -2046	▼ -04P-210	4	▼ -2041	▼ -04P	4
		2			2	39-01-2026	5559 -02P-210	2	39-01-2021	5559-02P	2
EDP NO.	ENG. NO.	CIRCUIT	EDP NO.	ENG. NO.	CIRCUIT	EDP NO.	ENG. NO.	CIRCUIT	EDP NO.	ENG. NO.	CIRCUIT

THIS DRAWING CONTAINS INFORMATION THAT IS PROPRIETARY TO MOLEX ELECTRONIC TECHNOLOGIES, LLC AND SHOULD NOT BE USED WITHOUT WRITTEN PERMISSION

DIMENSION UNITS	SCALE	CURRENT REV DESC:	<b>molex</b>
IN/MM	NTS		
GENERAL TOLERANCES (UNLESS SPECIFIED)			
	MM	INCH	
4 PLACES	±	±	EC NO: 768511 DRWN: JERRYW8 2023/11/02 CHK'D: XQZHANG 2023/11/15 APPR: XQZHANG 2023/11/15
3 PLACES	±	± 0.012	
2 PLACES	± 0.3	± 0.016	
1 PLACE	± 0.4	±	
0 PLACES	±	±	INITIAL REVISION: DRWN: H.HIRAMOTO 1998/10/14 APPR: E.ENOMOTO 1998/10/24
ANGULAR TOL	± 3.0 °		
DRAFT WHERE APPLICABLE MUST REMAIN WITHIN DIMENSIONS	THIRD ANGLE PROJECTION	DRAWING	SERIES
		C-SIZE	5559
DOCUMENT NUMBER	DOC TYPE	DOC PART	REVISION
55590020-SD	PSD	000	A3
MATERIAL NUMBER	CUSTOMER	SHEET NUMBER	
SEE TABLE	GENERAL MARKET	2 OF 2	