



产品编号 : [39301039](#)

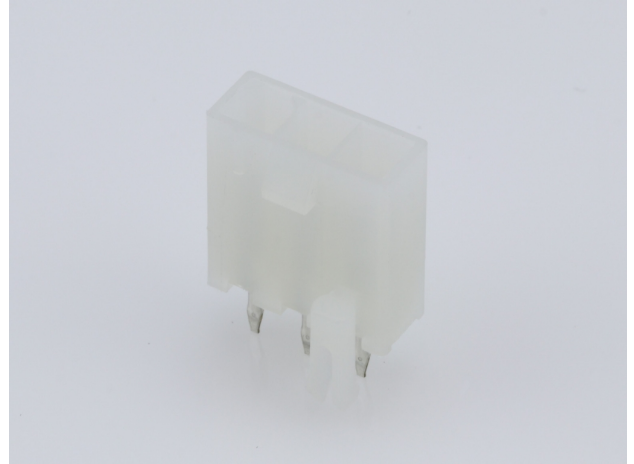
Product Description : Mini-Fit Jr.
Vertical Header, 4.20mm Pitch, Single Row,
3 Circuits, with Snap-in Plastic Peg PCB
Lock, Tin, Natural

系列号 : 5566

状态 : Active

Product Category : PCB Headers and
Receptacles

工程编号 : A-5566-03A3



文件和资源

图纸

[图纸 039301039_sd.pdf](#)

[包装设计图 PK-5566-002-000.pdf](#)

3D 模型和设计文件

[3D模型 039301039_stp.zip](#)


规格

[产品规格 PS-5556-001-001.pdf](#)

[测试摘要 TS-5556-002-001.pdf](#)

产物环境合规

合规

GADSL/IMDS	Not Relevant
China RoHS	
EU ELV	Not Relevant
Low-Halogen Status	Low-Halogen per IEC 61249-2-21
REACH SVHC	Not Contained per D(2023)3788-DC (14 Jun 2023)
EU RoHS	Compliant per EU 2015/863

多部分产品合规性声明

- Eu RoHS

- REACH SVHC

- Low-Halogen

多部分行业合规性文件

- IPC 1752A Class C

- IPC 1752A Class D

- Molex Product Compliance Declaration

- IEC-62474

- chemSHERPA (xml)

欧盟 RoHS 合格证书

产品详情

常规

状态	活动
类别	PCB Headers and Receptacles
系列	5566
说明	Mini-Fit Jr. Vertical Header, 4.20mm Pitch, Single Row, 3 Circuits, with Snap-in Plastic Peg PCB Lock, Tin, Natural
应用	Power, Wire-to-Board
个评论	The 5566 header should be used with standard Mini-Fit female terminals. If increased amperage of up to 13A per circuit is needed, please consider using the Mini-Fit Plus HCS family 45750 terminals with 46014 headers; See Molex Product specification for current de-rating information.
元件类型	PCB Header
产品系列	Mini-Fit Family Power Connectors
产品名称	Mini-Fit Jr.
UPC	800753580107

机构

CSA	LR19980
UL	E29179

电气

每触点最大电流	9.0A
---------	------

电压 - 最大	600V
---------	------

物理

断开	否
回路数 (已载入)	3
电路数 (最多)	3
颜色-树脂	Natural
耐用性(插拔次数) - 最多次数	30
先接后断	否
阻燃性	94V-2
符合灼热丝规范	否
可配插产品指南	否
插接极性	无
锁定插接部位	是
材料 - 金属	Brass
材料 - 接合部位电镀	Tin
材料 - 终端电镀	Tin
材料 - 树脂	Nylon
净重	0.801/g
行数	1
方向	垂直
包装形式	Tray
PC 焊脚长度	3.50mm
PCB 定位器	是
PCB 保持力	是
推荐的 PCB 厚度	1.60mm
间距 - 插配接口	4.20mm
间距 - 终端界面	4.20mm
最薄镀层 - 接合部位	0.889µm
最薄镀层 - 端接	0.889µm
有极性的插配件	是
PCB 极性	是
有护墙的	Fully
可堆叠的	否
运行温度范围	-40° to +105° C

终端界面类型	Through Hole
--------	--------------

进程

最长持续时间	5
无铅	WAVE
最大周期	1
最高温度	240

可配插/可连接使用的产品

可配插部件

描述	产品编号
Mini-Fit Jr. Receptacle Housings	<u>5557</u>
Mini-Fit TPA2 and Mini-Fit Sigma Dual Row Receptacle Housings	<u>172708</u>
Mini-Fit TPA2-to-Mini-Fit TPA2 Off-the-Shelf (OTS) Cable Assemblies	<u>145135</u>

NOTES:

1. MATERIALS:

HOUSING:

"BLANK"=NYLON 6/6, UNFILLED UL94 V-2, COLOR: NATURAL
 "130"=GLASS FILLED LCP, UL94 V-0, COLOR: BLACK
 IEC 60335-1, 5TH EDITION GLOW WIRE CAPABLE
 "210"=NYLON 6/6, UNFILLED UL94 V-0, COLOR: NATURAL
 "400"=NYLON 6/6, UNFILLED UL94 V-0, COLOR: BLACK

TERMINALS:

BRASS

2. TERMINAL PLATING:

"BLANK"=.000035/(0.00090) MIN. REFLOWED MATTE TIN OVER
 .000020/(0.00050) MIN. COPPER (PREPLATE)
 (FINISH IS BRIGHT IN APPEARANCE, THICKNESS AS
 APPLIED PRIOR TO REFLOW)

GS2=.000015/(0.00038) MIN. SELECT GOLD AND
 .000100/(0.00254) MIN. SELECT MATTE TIN

OVER .000050/(0.00127) MIN. NICKEL OVERALL

GS=.000030/(0.00076) MIN. SELECT GOLD AND
 .000100/(0.00254) MIN. SELECT MATTE TIN

OVER .000050/(0.00127) MIN. NICKEL OVERALL

S=.000100/(0.00254) MIN. BRIGHT TIN OVER
 .000050/(0.00127) MIN. NICKEL

MS=.000100/(0.00254) MIN. MATTE TIN OVER
 .000050/(0.00127) MIN. NICKEL

3. PRODUCT SPECIFICATION: PS-5556-001

4. PACKAGING: TRAY PACKED PER PK-5566-002

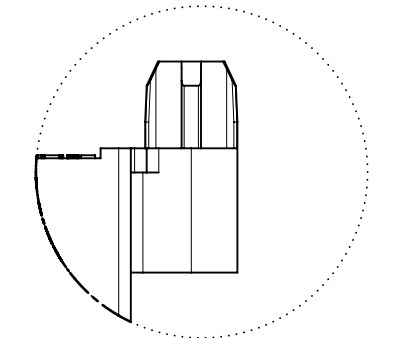
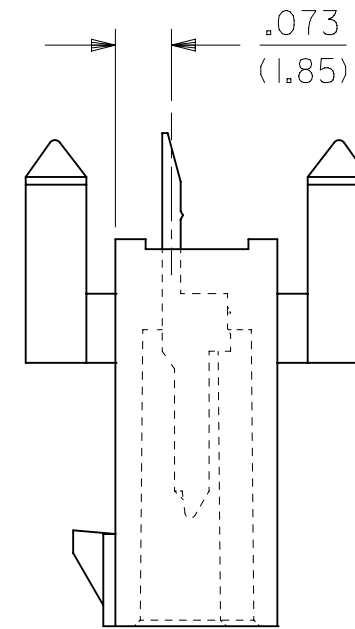
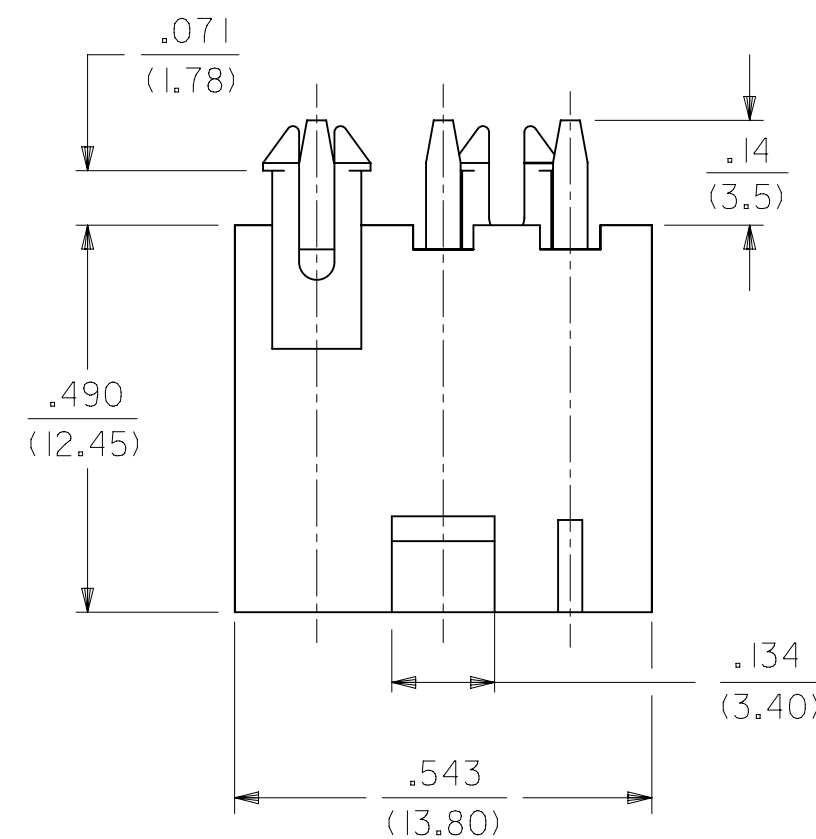
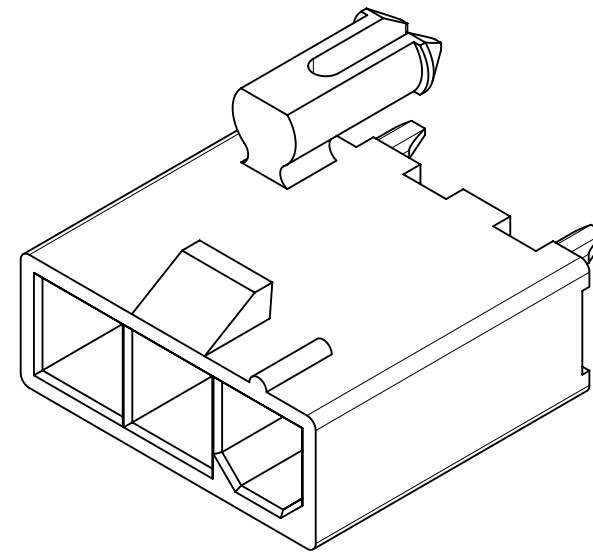
5. PART MATES WITH MINI-FIT JR. RECEPTACLE NO. 5557.

6. ALL DIMENSIONS ARE REFERENCE UNLESS OTHERWISE SPECIFIED.

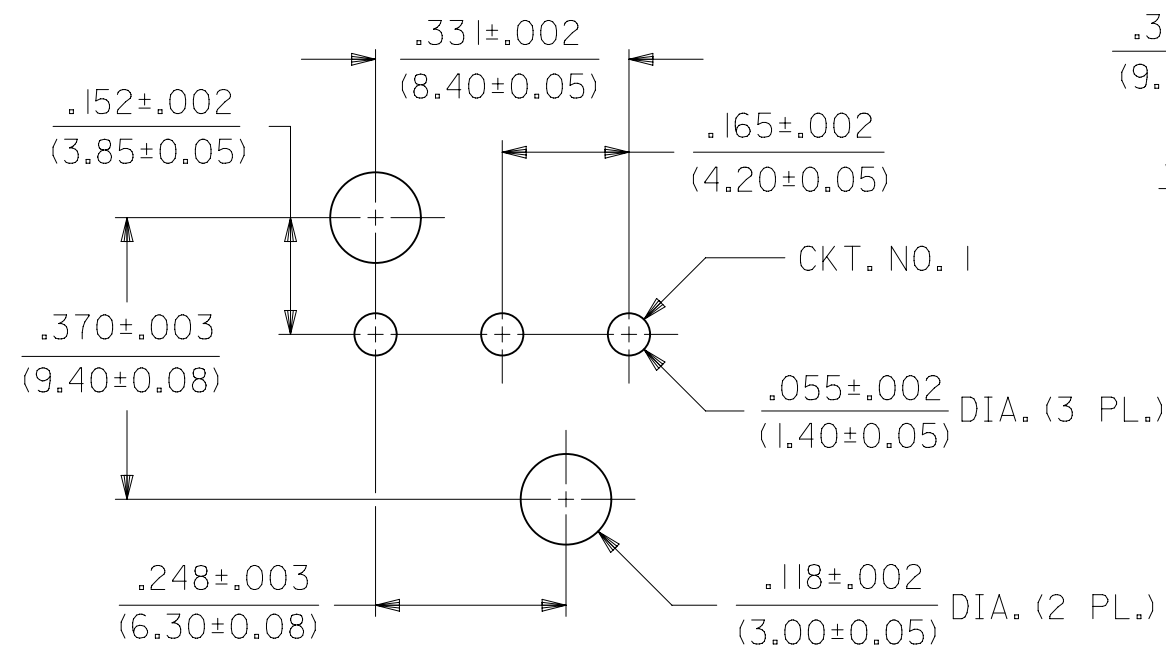
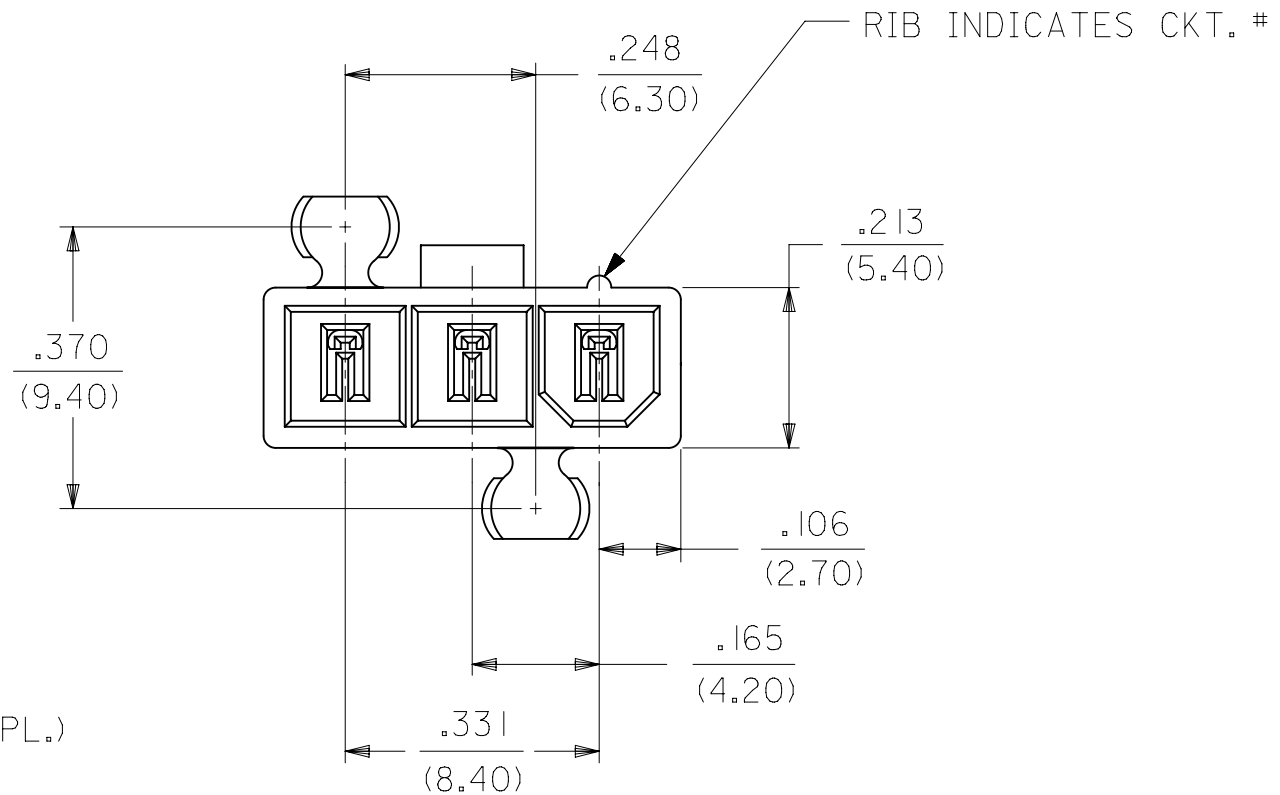
7. PART IS NOT DESIGNED FOR CURRENT SHARING.

8. PARTS ARE NOT TO BE MATED OR UN-MATED WHILE CIRCUITS ARE LIVE.

9. PART CONFORMS TO CLASS "B" REQUIREMENTS OF COSMETIC SPECIFICATION PS-45499-002.



PRESS FIT PEG OPTION



RECOMMENDED HOLE LAYOUT FOR
 .070/(1.78) MAX. THICK P. C. BOARD

PART NO.	ENG. NO.	HOUSING MAT'L. (SEE NOTE 1)	PLATING (SEE NOTE 2)
39-30-1039	5566-03A3	"BLANK"	"BLANK"
39-30-2033	-03A3GS2		GS2
39-30-2031	-03A3GS		GS
39-30-5037	-03A3S		S
46999-0792	-03A3MS	"BLANK"	MS
46999-0680	-03A15GS-130	130	GS
46999-0685	-03A15MS-130	130	MS
39-30-2030	-03A3-210	210	"BLANK"
39-30-2034	-03A3GS2-210		GS2
39-30-2032	-03A3GS-210		GS
39-30-5038	-03A3S-210		S
46999-0793	-03A3MS-210	210	MS
46999-0563	5566-03A3MS-400	400	MS

LEGEND

5566-03A3*-***

BASE NO. _____

CIRCUIT SIZE _____

MOUNTING _____

3 = SNAP FIT PEGS
 15 = PRESS FIT PEGS

PLATING _____
 (SEE NOTE 2)

HOUSING MATERIAL _____
 (SEE NOTE 1)

THIS DRAWING CONTAINS INFORMATION THAT IS PROPRIETARY TO MOLEX ELECTRONIC TECHNOLOGIES, LLC AND SHOULD NOT BE USED WITHOUT WRITTEN PERMISSION

DIMENSION UNITS		SCALE		CURRENT REV DESC: MIGRATED		molex			
IN/MM		4:1				MINIFIT JR VERT HDR ASSY W/ PEGS SR			
GENERAL TOLERANCES (UNLESS SPECIFIED)				EC NO: 600618		PRODUCT CUSTOMER DRAWING			
4 PLACES		±	±	DRWN: JBAUMERT		2018/07/30		DOCUMENT NUMBER	
3 PLACES		±	± 0.01	CHK'D: DSTEIER		2018/12/07		DOC TYPE DOC PART REVISION	
2 PLACES		± 0.25	± 0.02	APPR: FSMITH		2019/01/03		55660330-SD PSD 000 A	
1 PLACE		± 0.5	±	INITIAL REVISION:				MATERIAL NUMBER CUSTOMER	
0 PLACES		±	±	DRWN: GEP		1990/06/07		SEE TABLE	
ANGULAR TOL		± 0.5 °		APPR: FSMITH		2012/09/05		SHEET NUMBER	
DRAFT WHERE APPLICABLE MUST REMAIN WITHIN DIMENSIONS				THIRD ANGLE PROJECTION		DRAWING SERIES		1 OF 1	
				C-SIZE		5566			

THIS DRAWING REPLACES SDA-5566-03*3*