



产品编号：[39303047](#)

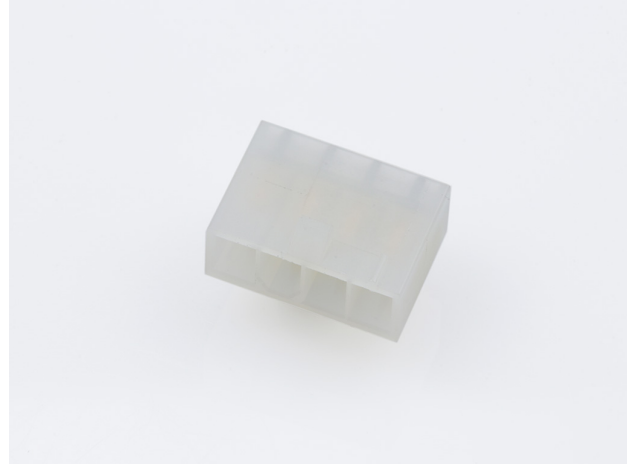
Product Description：Mini-Fit Jr. Header, Single Row, Right-Angle, with Snap-in Plastic Peg PCB Lock, 4 Circuits, PA Polyamide Nylon 6/6, 94V-2, (Au) Plating

系列号：5569

状态：Active

Product Category：PCB Headers and Receptacles

工程编号：5569-04A4G



文件和资源

图纸

[图纸 039303047_sd.pdf](#)

3D 模型和设计文件

[3D模型 039303047_stp.zip](#)

规格

[应用规格 AS-5557-001-001.pdf](#)

[包装规格 PK-5569-002-001.pdf](#)

[产品规格 PS-45750-001-001.pdf](#)

[产品规格 PS-5556-001-001.pdf](#)

[测试摘要 TS-5556-002-001.pdf](#)

产物环境合规

合规

| | |
|--------------------|--|
| GADSL/IMDS | Not Relevant |
| China RoHS | |
| EU ELV | Not Relevant |
| Low-Halogen Status | Low-Halogen per IEC 61249-2-21 |
| REACH SVHC | Not Contained per D(2023)3788-DC (14 Jun 2023) |
| EU RoHS | Compliant per EU 2015/863 |

[多部分产品合规性声明](#)

- Eu RoHS
- REACH SVHC
- Low-Halogen

多部分行业合规性文件

- IPC 1752A Class C
- IPC 1752A Class D
- Molex Product Compliance Declaration
- IEC-62474
- chemSHERPA (xml)

欧盟 RoHS 合格证书

产品详情

常规

| | |
|------|--|
| 状态 | 活动 |
| 类别 | PCB Headers and Receptacles |
| 系列 | 5569 |
| 说明 | Mini-Fit Jr. Header, Single Row, Right-Angle, with Snap-in Plastic Peg PCB Lock, 4 Circuits, PA Polyamide Nylon 6/6, 94V-2, (Au) Plating |
| 应用 | Power, Wire-to-Board |
| 个评论 | Current = 13A max. per circuit when header is mated to a receptacle loaded with 45750 Mini-Fit Plus HCS Crimp Terminal Crimped to 16 AWG wire. See Molex Product specification PS-5556-001 for additional current de-rating information. |
| 元件类型 | PCB Header |
| 产品系列 | Mini-Fit Family Power Connectors |
| 产品名称 | Mini-Fit Jr. |
| UPC | 800754316040 |

机构

| | |
|-----|---------|
| CSA | LR19980 |
| UL | E29179 |

电气

| | |
|---------|-------|
| 每触点最大电流 | 13.0A |
|---------|-------|

| | |
|---------|------|
| 电压 - 最大 | 600V |
|---------|------|

物理

| | |
|------------------|-----------------|
| 断开 | 否 |
| 回路数 (已载入) | 4 |
| 电路数 (最多) | 4 |
| 颜色-树脂 | Natural |
| 耐用性(插拔次数) - 最多次数 | 30 |
| 先接后断 | 否 |
| 阻燃性 | 94V-2 |
| 符合灼热丝规范 | 否 |
| 可配插产品指南 | 否 |
| 插接极性 | 无 |
| 锁定插接部位 | 是 |
| 材料 - 金属 | Brass |
| 材料 - 接合部位电镀 | 金牌 |
| 材料 - 终端电镀 | Matte Tin |
| 材料 - 树脂 | Nylon |
| 净重 | 1.430/g |
| 行数 | 1 |
| 方向 | Right Angle |
| 包装形式 | Bag |
| PCB 定位器 | 是 |
| PCB 保持力 | 是 |
| 推荐的 PCB 厚度 | 1.78mm |
| 间距 - 插配接口 | 4.20mm |
| 间距 - 终端界面 | 4.20mm |
| 最薄镀层 - 接合部位 | 0.762 μ m |
| 最薄镀层 - 端接 | 2.540 μ m |
| 有极性的插配件 | 是 |
| PCB 极性 | 是 |
| 有护墙的 | Fully |
| 可堆叠的 | 否 |
| 运行温度范围 | -40° to +105° C |
| 终端界面类型 | Through Hole |

进程

| | |
|--------|------|
| 最长持续时间 | 5 |
| 无铅 | WAVE |
| 最大周期 | 1 |
| 最高温度 | 240 |

可配插/可连接使用的产品

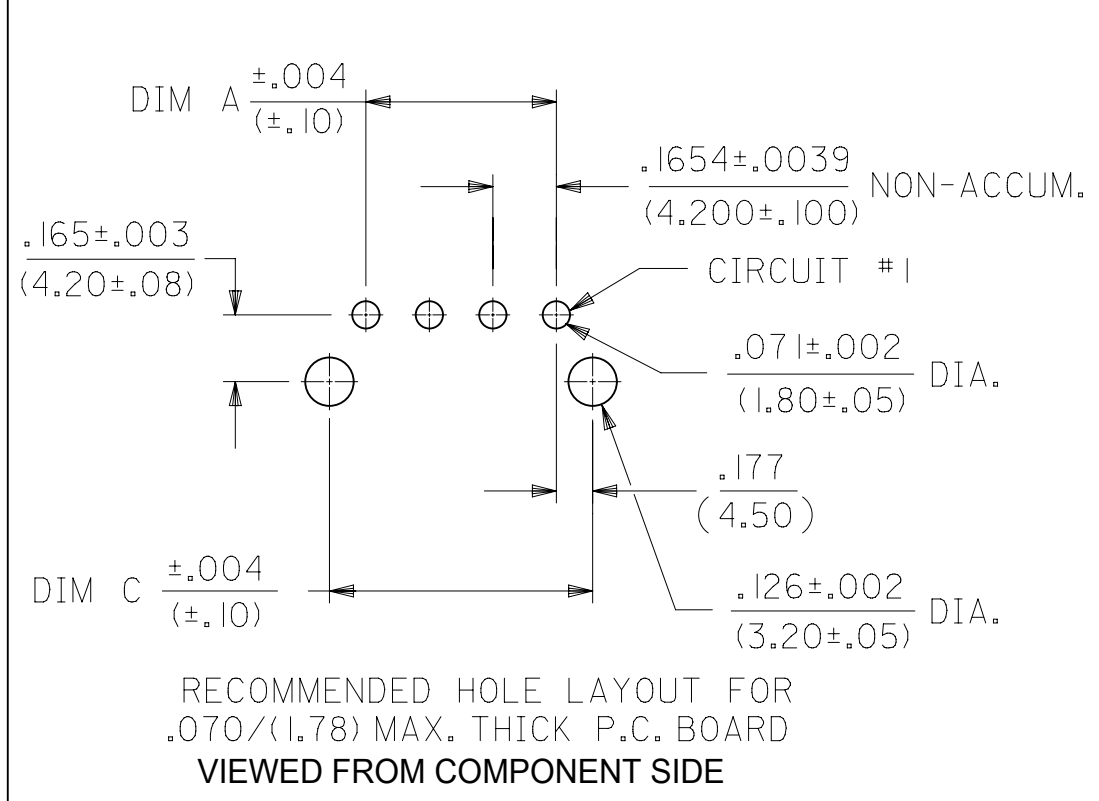
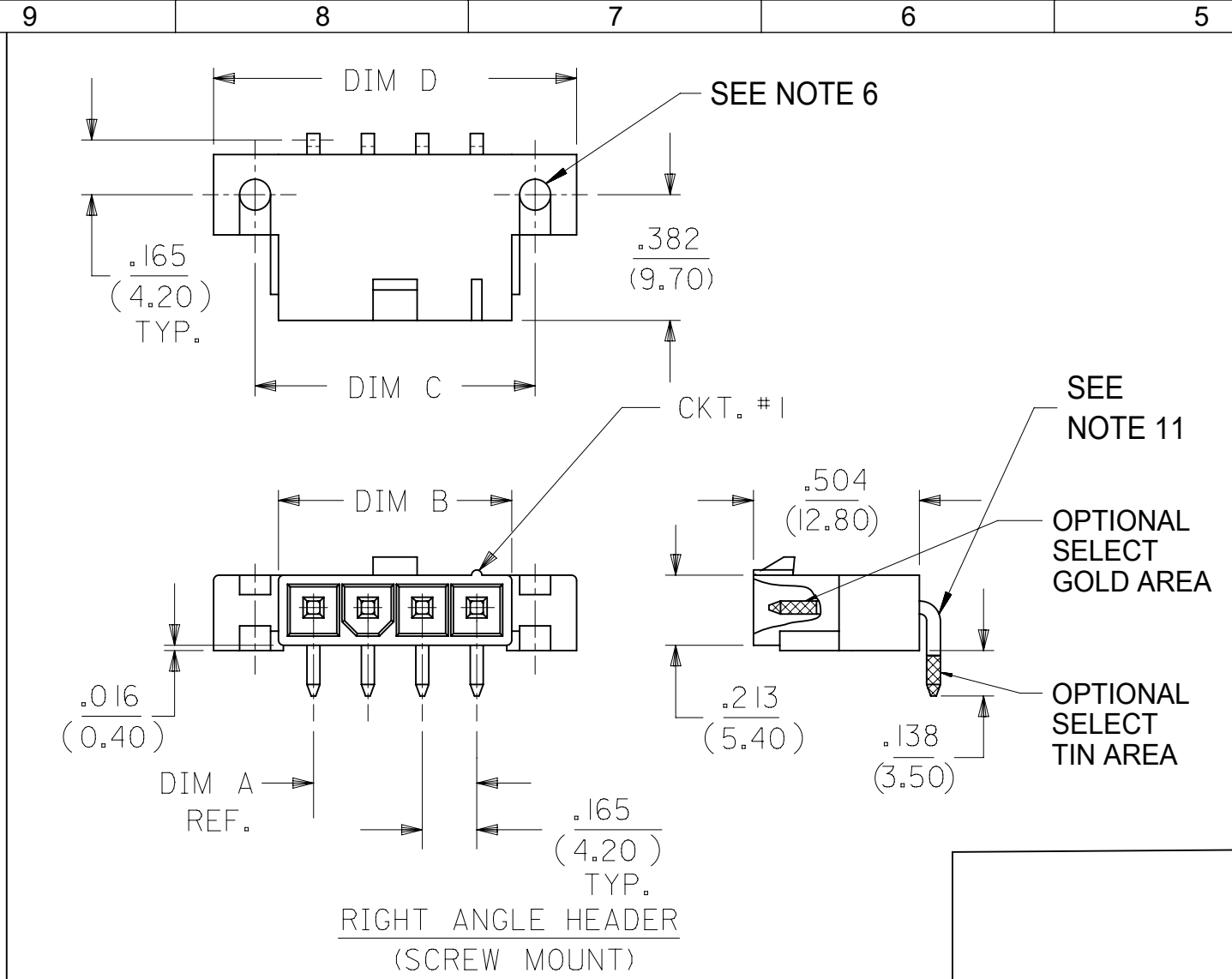
可配插部件

| 描述 | 产品编号 |
|--|-------------------|
| Mini-Fit Jr. Receptacle Housing, Single Row, 4 Circuits, UL 94V-2, Natural | <u>0039014040</u> |
| Mini-Fit TPA2 and Mini-Fit Sigma Dual Row Receptacle Housings | <u>172708</u> |

| CKT SIZE | DIM A | DIM B | DIM C | DIM D |
|----------|------------------|------------------|------------------|------------------|
| 2 | .165 (4.20) | .378 (9.60) | .520 (13.20) | .772 (19.60) |
| 4 | .496 (12.60) | .709 (18.00) | .850 (21.60) | 1.102 (28.00) |
| 5 | .661 (16.80) | .874 (22.20) | 1.016 (25.80) | 1.268 (32.20) |
| 6 | .827 (21.00) | 1.039 (26.40) | 1.181 (30.00) | 1.433 (36.40) |
| 7 | .992 (25.20) | 1.205 (30.60) | 1.346 (34.20) | 1.598 (40.60) |
| 8 | 1.157 (29.40) | 1.370 (34.80) | 1.512 (38.40) | 1.764 (44.80) |
| 9 | 1.323 (33.60) | 1.535 (39.00) | 1.677 (42.60) | 1.929 (49.00) |
| 10 | 1.488 (37.80) | 1.701 (43.20) | 1.843 (46.80) | 2.094 (53.20) |
| 11 | 1.654 (42.00) | 1.866 (47.40) | 2.008 (51.00) | 2.260 (57.40) |
| 12 | 1.819 (46.20) | 2.031 (51.60) | 2.173 (55.20) | 2.425 (61.60) |

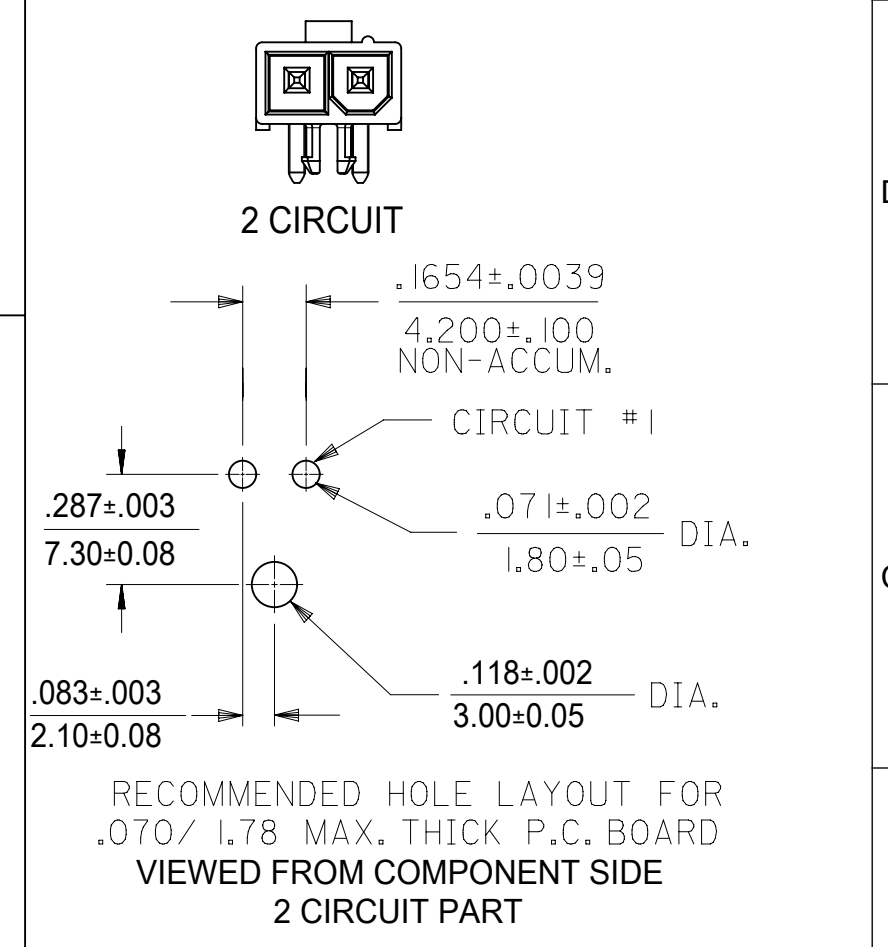
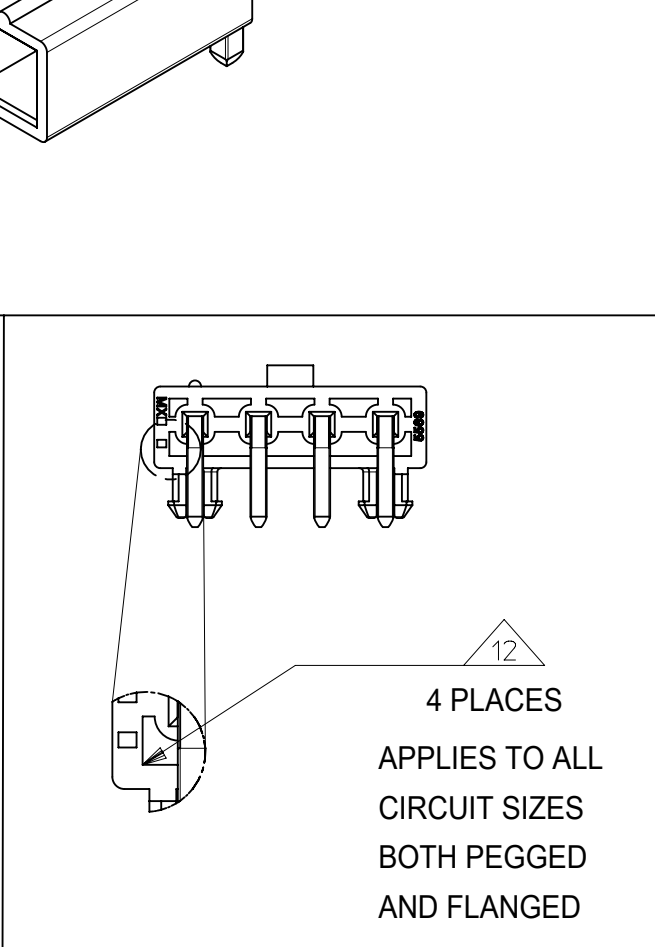
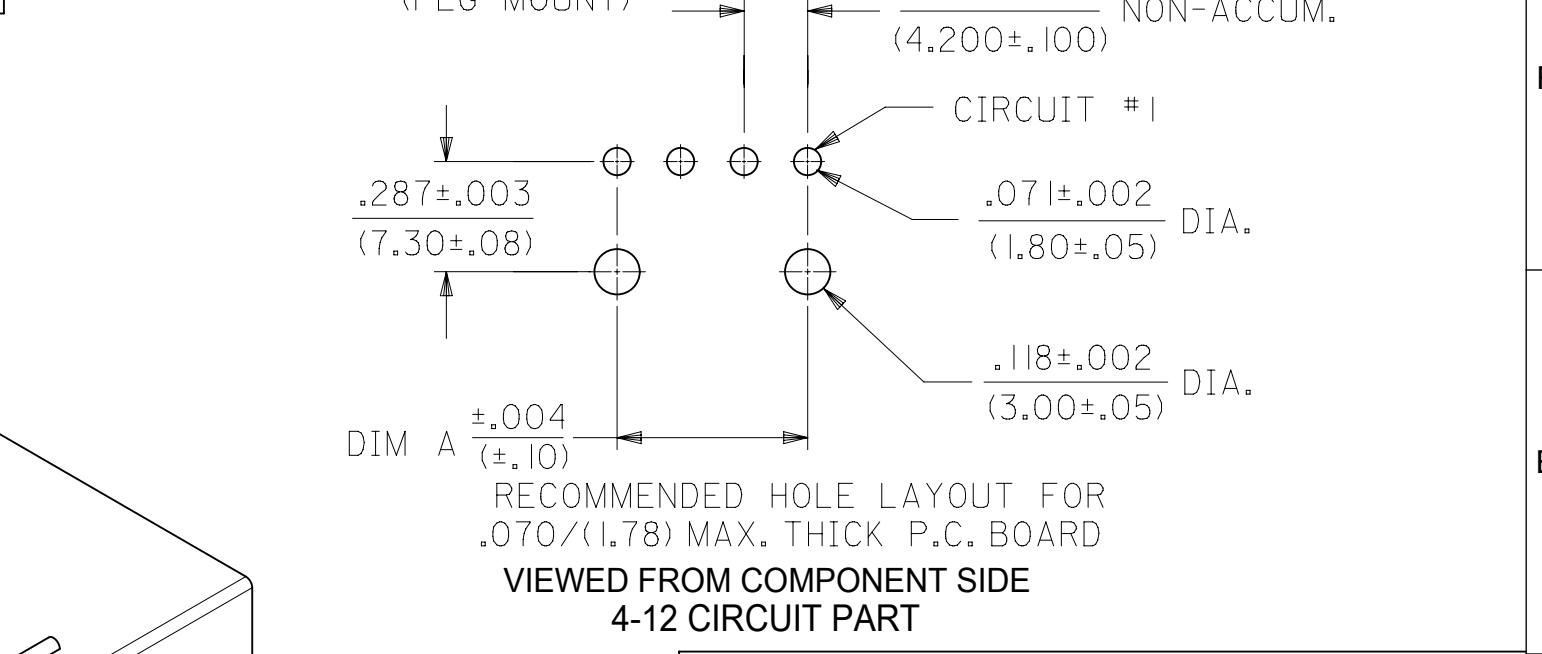
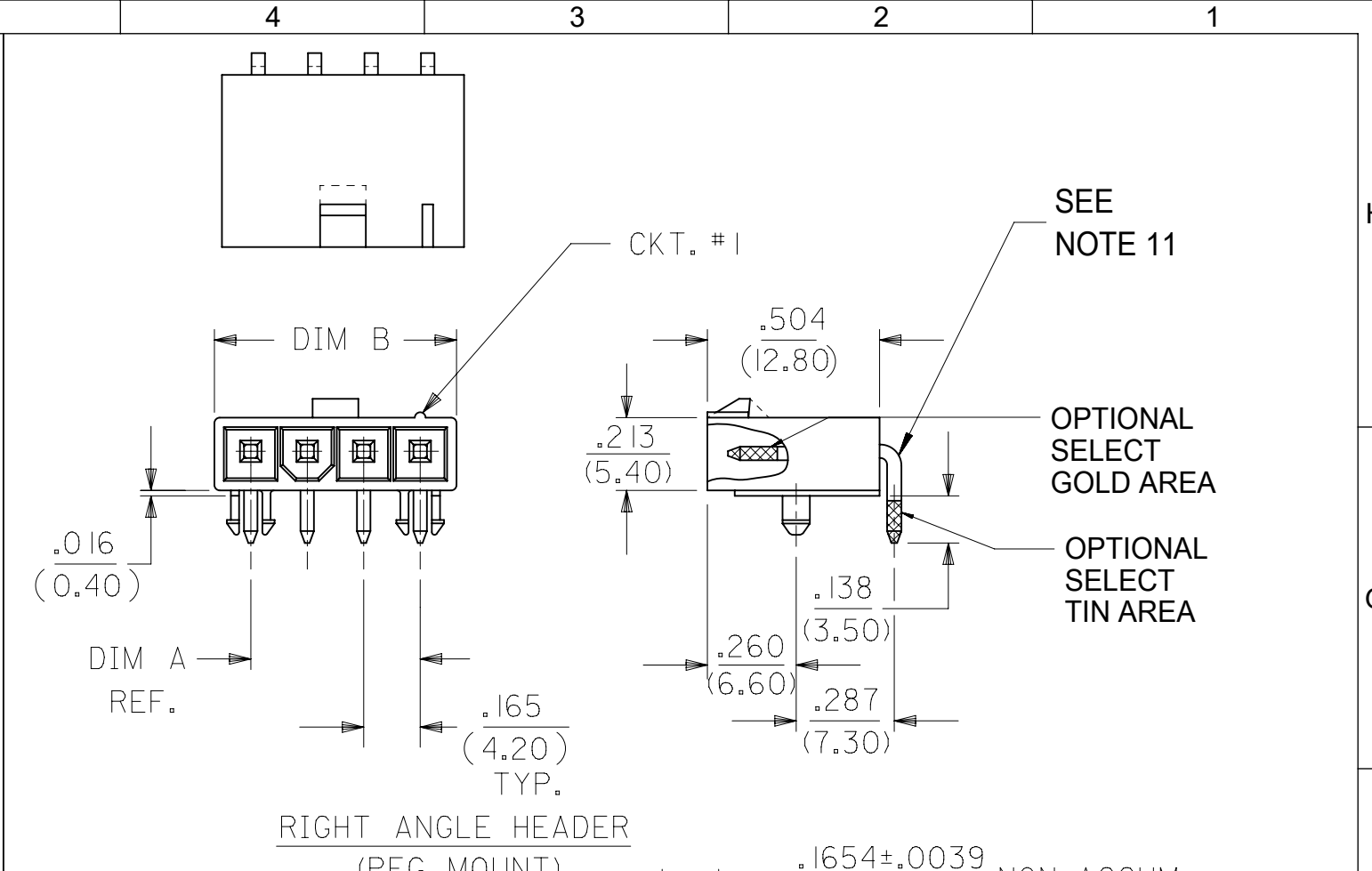
NOTES:

- HOUSING MATERIAL:
 "BLANK" = NYLON 6/6, U.L. 94V-2, COLOR: NATURAL.
 210 = NYLON 6/6, U.L. 94V-0, COLOR: NATURAL.
 BL = NYLON 6/6, U.L. 94V-2, COLOR: BLACK.
 400 = NYLON 6/6, U.L. 94V-O. COLOR: BLACK.
 TERMINAL MATERIAL: BRASS, ALLOY.
- TERMINAL PLATING:
 G, GS - .000030/(.00076) MIN. SELECT GOLD AND .000100/(.00127) MIN. SELECT MATTE TIN OVER .000050/(.00127) MIN NICKEL OVERALL.
 G2, GS2 - .00015/(.00038) MIN. SELECT GOLD AND .000100/(.00254) MIN. SELECT MATTE TIN OVER .000050/(.00127) MIN. NICKEL OVERALL.
 RM - .000060/(.00152) MIN REFLOWED MATTE TIN OVER .000050/(.00127) MIN. NICKEL OVERALL.
 BLANK, S, MS - .000100/(.00254) MIN. MATTE TIN OVER .000050/(.00127) MIN. NICKEL OVERALL.
- PRODUCT SPECIFICATION: PS-5556-001
- PACKAGING SPECIFICATION : BULK PACK PER PK-5569-002 TRAY PACK PER PK-5569-005
- PART MATES WITH MOLEX RECEPTACLE #5557.
- PART IS DESIGNED FOR USE WITH #4 OR M3 SELF TAPPING SCREWS.
- DISCOLORATION IN THE BANDOLIER CARRIER AREA OF THE PIN IS INHERENT TO THE PLATING PROCESS AND IS DUE TO THE MASKING EFFECT OF THE CARRIER. THIS DISCOLORATION IS IN A NON-FUNCTIONAL AREA OF THE PIN AND WILL NOT AFFECT THE PERFORMANCE OF THE HEADER ASSEMBLY.
- CONNECTORS ARE NOT TO BE MATED OR UNMATED WHILE CIRCUIT ARE LIVE.
- PARTS NOT DESIGNED FOR CURRENT SHARING.
- PART CONFORMS TO CLASS "B" REQUIREMENTS OF COSMETIC SPECIFICATION PS-45499-002.
- FORMING MARKS ON PINS ARE ACCEPTABLE
- CORNER CORE-OUTS ARE OPTIONAL AND MAY OR MAY NOT BE PRESENT.
- TEXT ON PART IS FOR REFERENCE ONLY. TEXT AND TEXT LOCATION MAY VARY DEPENDING ON PART NUMBER AND/OR TOOL.



LEGEND:

- 5569 - ** A * * - *
- CKT. SIZE (02-12)
 - ASSEMBLY
 - MOUNTING & LOCK OPTION:
 3 = SCREW MOUNT, POSITIVE LOCK
 4 = PEG MOUNT, POSITIVE LOCK
 5 = PEG MOUNT, PASSIVE LOCK
 - PLATING OPTION:
(SEE NOTE 2)
 - MATERIAL OPTION:
(SEE NOTE 1)



THIS DRAWING CONTAINS INFORMATION THAT IS PROPRIETARY TO MOLEX ELECTRONIC TECHNOLOGIES, LLC AND SHOULD NOT BE USED WITHOUT WRITTEN PERMISSION

| | | |
|--|----------|-------------------|
| DIMENSION UNITS | SCALE | CURRENT REV DESC: |
| IN/MM | NTS | |
| GENERAL TOLERANCES (UNLESS SPECIFIED) | | |
| | MM | INCH |
| 4 PLACES | ± | ± |
| 3 PLACES | ± | ± 0.015 |
| 2 PLACES | ± 0.38 | ± |
| 1 PLACE | ± | ± |
| 0 PLACES | ± | ± |
| ANGULAR TOL | ± 3.0 ° | |
| DRAFT WHERE APPLICABLE MUST REMAIN WITHIN DIMENSIONS | | |
| THIRD ANGLE PROJECTION | DRAWING | SERIES |
| | C-SIZE | 5569 |
| EC NO: 728634 | | |
| DRWN: JERRYW8 2022/11/15 | | |
| CHK'D: XQZHANG 2022/11/16 | | |
| APPR: XQZHANG 2022/11/16 | | |
| INITIAL REVISION: | | |
| DRWN: KSS 2/14/89 | | |
| APPR: RAS 2/14/89 | | |
| MATERIAL NUMBER | | CUSTOMER |
| 55690004-SD | | GENERAL MARKET |
| DOC TYPE | DOC PART | REVISION |
| PSD | 000 | A2 |
| SHEET NUMBER | | |
| 1 OF 2 | | |

THIS DRAWING REPLACES DRAWING SDA-5569-NL*

| UL94V-2 | | | | | | | |
|----------------------------------|--------------|-----------|-----------------|-------------|----------------------|---------------------|------------------|
| E.D.P. NO. | ENG. NO. | CKT. SIZE | MOUNTING OPTION | LOCK OPTION | PLATING (SEE NOTE 2) | MAT'L. (SEE NOTE 1) | PACKAGING OPTION |
| SCREW MOUNT POSITIVE LOCK | | | | | | | |
| 39-30-3041 | 5569-04A3MS | 4 | SCREWS | POSITIVE | TIN/NICKEL | 94V-2 | BULK |
| 39-30-3051 | 5569-05A3MS | 5 | SCREWS | POSITIVE | TIN/NICKEL | 94V-2 | BULK |
| 39-30-3043 | 5569-04A3GS | 4 | SCREWS | POSITIVE | 30 GOLD | 94V-2 | BULK |
| 39-30-3053 | 5569-05A3GS | 5 | SCREWS | POSITIVE | 30 GOLD | 94V-2 | BULK |
| PEG MOUNT POSITIVE LOCK | | | | | | | |
| 39-30-3045 | 5569-04A4 | 4 | PEGS | POSITIVE | TIN/NICKEL | 94V-2 | BULK |
| 39-30-3055 | 5569-05A4 | 5 | PEGS | POSITIVE | TIN/NICKEL | 94V-2 | BULK |
| 46999-0709 | 5569-02A4G | 2 | PEGS | POSITIVE | 30 GOLD | 94V-2 | TRAY |
| 39-30-3047 | 5569-04A4G | 4 | PEGS | POSITIVE | 30 GOLD | 94V-2 | BULK |
| 39-30-3057 | 5569-05A4G | 5 | PEGS | POSITIVE | 30 GOLD | 94V-2 | BULK |
| 46999-0710 | 5569-06A4G | 6 | PEGS | POSITIVE | 30 GOLD | 94V-2 | TRAY |
| 46999-0713 | 5569-02A4MS | 2 | PEGS | POSITIVE | TIN/NICKEL | 94V-2 | TRAY |
| 46999-0100 | 5569-05A4MS | 5 | PEGS | POSITIVE | TIN/NICKEL | 94V-2 | BULK |
| 46999-0714 | 5569-06A4MS | 6 | PEGS | POSITIVE | TIN/NICKEL | 94V-2 | TRAY |
| 46999-0098 | 5569-05A4RM | 5 | PEGS | POSITIVE | REFLOW/NICKEL | 94V-2 | BULK |
| PEG MOUNT, PASSIVE LOCK | | | | | | | |
| NO E.D.P. | 5569-04A5MS | 4 | PEGS | PASSIVE | TIN/NICKEL | 94V-2 | BULK |
| 15-24-1501 | 5569-05A5MS | 5 | PEGS | PASSIVE | TIN/NICKEL | 94V-2 | BULK |
| NO E.D.P. | 5569-04A5GS2 | 4 | PEGS | PASSIVE | 15 GOLD | 94V-2 | BULK |
| 15-27-1501 | 5569-05A5GS2 | 5 | PEGS | PASSIVE | 15 GOLD | 94V-2 | BULK |

| UL94V-0 | | | | | | | |
|----------------------------------|-------------------|-----------|-----------------|-------------|----------------------|---------------------|------------------|
| E.D.P. NO. | ENG. NO. | CKT. SIZE | MOUNTING OPTION | LOCK OPTION | PLATING (SEE NOTE 2) | MAT'L. (SEE NOTE 1) | PACKAGING OPTION |
| SCREW MOUNT POSITIVE LOCK | | | | | | | |
| 50-30-4469 | 5569-04A3MS-210 | 4 | SCREW | POSITIVE | TIN/NICKEL | 94V-0 | BULK |
| NO E.D.P. | 5569-05A3MS-210 | 5 | SCREW | POSITIVE | TIN/NICKEL | 94V-0 | BULK |
| NO E.D.P. | 5569-04A3GS-210 | 4 | SCREW | POSITIVE | 30 GOLD | 94V-0 | BULK |
| NO E.D.P. | 5569-05A3GS-210 | 5 | SCREW | POSITIVE | 30 GOLD | 94V-0 | BULK |
| PEG MOUNT POSITIVE LOCK | | | | | | | |
| 46999-0703 | 5569-02A4MS-210 | 2 | PEGS | POSITIVE | TIN/NICKEL | 94V-0 | TRAY |
| 39-30-3046 | 5569-04A4MS-210 | 4 | PEGS | POSITIVE | TIN/NICKEL | 94V-0 | BULK |
| 39-30-3056 | 5569-05A4MS-210 | 5 | PEGS | POSITIVE | TIN/NICKEL | 94V-0 | BULK |
| 39-30-3054 | 5569-05A4MS-210-T | 5 | PEGS | POSITIVE | TIN/NICKEL | 94V-0 | TRAY |
| 46999-0704 | 5569-06A4MS-210 | 6 | PEGS | POSITIVE | TIN/NICKEL | 94V-0 | TRAY |
| 46999-0711 | 5569-02A4G-210 | 2 | PEGS | POSITIVE | 30 GOLD | 94V-0 | TRAY |
| 39-30-3048 | 5569-04A4G-210 | 4 | PEGS | POSITIVE | 30 GOLD | 94V-0 | BULK |
| 39-30-3058 | 5569-05A4G-210 | 5 | PEGS | POSITIVE | 30 GOLD | 94V-0 | BULK |
| 46999-0712 | 5569-06A4G-210 | 6 | PEGS | POSITIVE | 30 GOLD | 94V-0 | TRAY |
| 46999-0432 | 5569-04A4GS-400 | 4 | PEGS | POSITIVE | 30 GOLD | 94V-0 | BULK |
| 50-30-4436 | 5569-05A4GS-400 | 5 | PEGS | POSITIVE | 30 GOLD | 94V-0 | BULK |
| 46999-0707 | 5569-02A4MS-400 | 2 | PEGS | POSITIVE | TIN/NICKEL | 94V-0 | TRAY |
| 46999-0288 | 5569-04A4MS-400 | 4 | PEGS | POSITIVE | TIN/NICKEL | 94V-0 | BULK |
| 46999-0289 | 5569-05A4MS-400 | 5 | PEGS | POSITIVE | TIN/NICKEL | 94V-0 | BULK |
| 46999-0708 | 5569-06A4MS-400 | 6 | PEGS | POSITIVE | TIN/NICKEL | 94V-0 | TRAY |

| | | | | | | | | | | | | | | | |
|---|--|-------|--|------------------------|--|---------|--|---|--|-----------------|--|----------------|--|--------------|--|
| THIS DRAWING CONTAINS INFORMATION THAT IS PROPRIETARY TO MOLEX ELECTRONIC TECHNOLOGIES, LLC AND SHOULD NOT BE USED WITHOUT WRITTEN PERMISSION | | | | | | | | | | | | | | | |
| DIMENSION UNITS | | SCALE | | CURRENT REV DESC: | | | | <h1>molex</h1> | | | | | | | |
| IN/MM | | NTS | | | | | | | | | | | | | |
| GENERAL TOLERANCES (UNLESS SPECIFIED) | | | | EC NO: 728634 | | | | RIGHT ANGLE HEADER ASSY (SINGLE ROW) (MINI-FIT JR. SERIES) | | | | | | | |
| | | | | DRWN: JERRYW8 | | | | | | | | | | | |
| | | | | CHK'D: XQZHANG | | | | PRODUCT CUSTOMER DRAWING | | | | | | | |
| | | | | APPR: XQZHANG | | | | | | | | | | | |
| | | | | INITIAL REVISION: | | | | DOCUMENT NUMBER 55690004-SD | | | | | | | |
| | | | | DRWN: KSS | | | | | | | | | | | |
| | | | | APPR: RAS | | | | DOC TYPE DOC PART REVISION PSD 000 A2 | | | | | | | |
| | | | | ANGULAR TOL ± 3.0 ° | | | | | | | | | | | |
| DRAFT WHERE APPLICABLE MUST REMAIN WITHIN DIMENSIONS | | | | THIRD ANGLE PROJECTION | | DRAWING | | SERIES | | MATERIAL NUMBER | | CUSTOMER | | SHEET NUMBER | |
| | | | | | | C-SIZE | | 5569 | | SEE CHARTS | | GENERAL MARKET | | 2 OF 2 | |