



产品编号：[430315003](#)

Product Description：Micro-Fit TPA Crimp Terminal, Male, with Tin (Sn) Pre-plated Phosphor Bronze Contact, 20-24 AWG, Reel

系列号：[43031](#)

状态：Active

Product Category：[Crimp Terminals](#)



## 文件和资源

### 图纸

[图纸 430315003\\_sd.pdf](#)

[包装设计图 PK-43031-001-001.pdf](#)

### 规格

[产品规格 436500001-PS-JA-000.pdf](#)

[产品规格 436500001-PS-K0-000.pdf](#)

[产品规格 436500001-PS-SP-000.pdf](#)


[产品规格 PS-43650-001.pdf](#)

[测试摘要 430450005-TS-000.pdf](#)

[测试摘要 TS-43045-001-001.pdf](#)

## 产物环境合规

### 合规

GADSL/IMDS	Compliant with Exemption 44
China RoHS	
EU ELV	Not Relevant
Low-Halogen Status	Low-Halogen per IEC 61249-2-21
REACH SVHC	Not Contained per D(2023)3788-DC (14 Jun 2023)
EU RoHS	Compliant per EU 2015/863

### 多部分产品合规性声明

- Eu RoHS
- REACH SVHC
- Low-Halogen

### 多部分行业合规性文件

- IPC 1752A Class C
- IPC 1752A Class D
- Molex Product Compliance Declaration
- IEC-62474
- chemSHERPA (xml)

欧盟 RoHS 合格证书

## 产品详情

### 常规

状态	活动
类别	Crimp Terminals
系列	43031
说明	Micro-Fit TPA Crimp Terminal, Male, with Tin (Sn) Pre-plated Phosphor Bronze Contact, 20-24 AWG, Reel
应用	Power, Wire-to-Wire
产品系列	Micro-Fit Connector System
产品名称	Micro-Fit TPA
UPC	889056917179

### 电气

每触点最大电流	8.5A
---------	------

### 物理

耐用性(插拔次数) - 最多次数	30
性别	男
材料 - 金属	Phosphor Bronze
材料 - 接合部位电镀	Tin
材料 - 终端电镀	Tin
净重	0.061/g
包装形式	Reel
最薄镀层 - 接合部位	1.000µm
最薄镀层 - 端接	1.000µm
终端界面类型	Crimp or Compression
导线绝缘直径	1.85mm max.

线径规格 (AWG)	20, 22, 24
线缆尺寸mm <sup>2</sup>	不适用

## 可连接使用部件

描述	产品编号
Micro-Fit TPA Single Row Plug Housings	<u>200875</u>

## 施工工具

### 全局

描述	产品编号
Extraction Tool for Micro-Fit Terminals	<u>0011030043</u>
Hand Crimp Tool for Micro-Fit Crimp Terminals, 20 AWG, UL1007 and UL1061 Wires	<u>2133094500</u>
Hand Crimp Tool for Micro-Fit Crimp Terminals, 22 AWG, UL1007 and UL1061 Wires	<u>2133094600</u>
Hand Crimp Tool for Micro-Fit+ Crimp Terminals, 24 AWG, UL 1007 and UL 1061 Wires	<u>2133094700</u>
Insertion Tool for Micro-Fit 3.0 and CRC Male and Female Crimp Terminals, 20-30 AWG	<u>0638120800</u>
FineAdjust Applicator for Insulation OD 1.30-1.85mm, 20-24 AWG Wire	<u>0639004500</u>
FineAdjust Applicator for Insulation OD 1.10-1.30mm - 20-24 AWG	<u>0639018800</u>
FineAdjust Applicator for Micro-Fit 3.0 Terminals, for 20-24 AWG Wire with Insulation Diameter 0.91-1.09mm	<u>0639018900</u>
T2 Terminator for Insulation OD 1.30-1.85mm, 20-24 AWG	<u>0639104500</u>
T2 Terminator for Insulation OD 1.10-1.30mm - 20-24 AWG	<u>0639118800</u>
T2 Terminator for Insulation OD 0.91-1.09mm - 20-24 AWG	<u>0639118900</u>

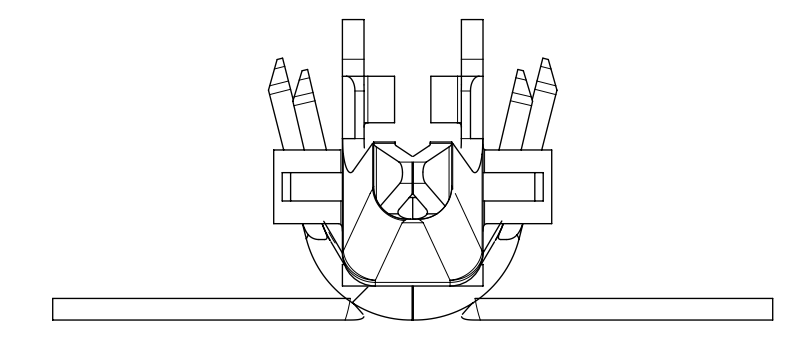
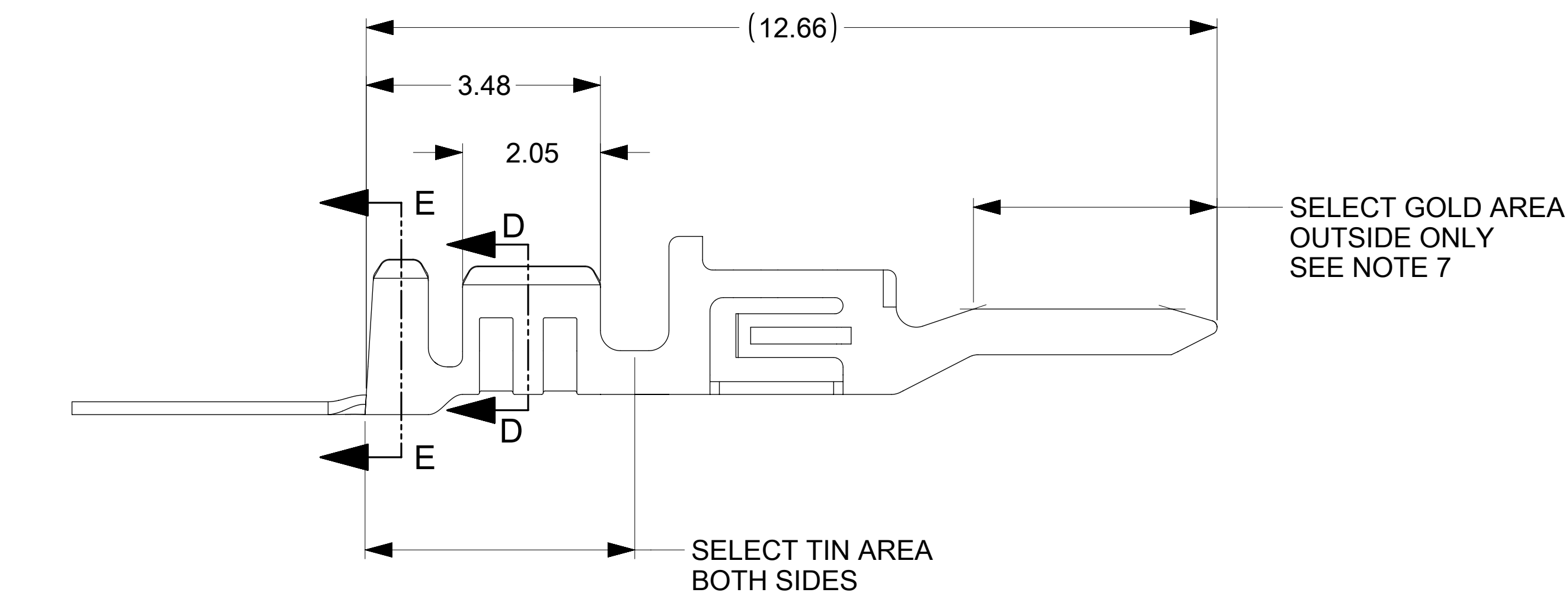
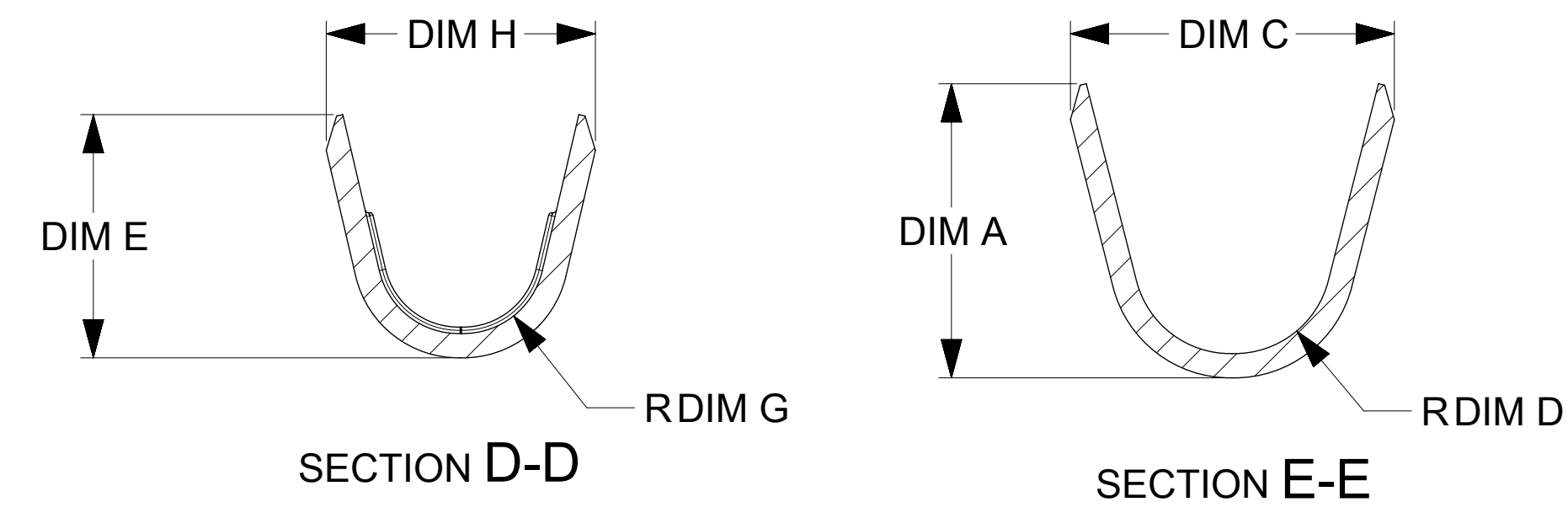
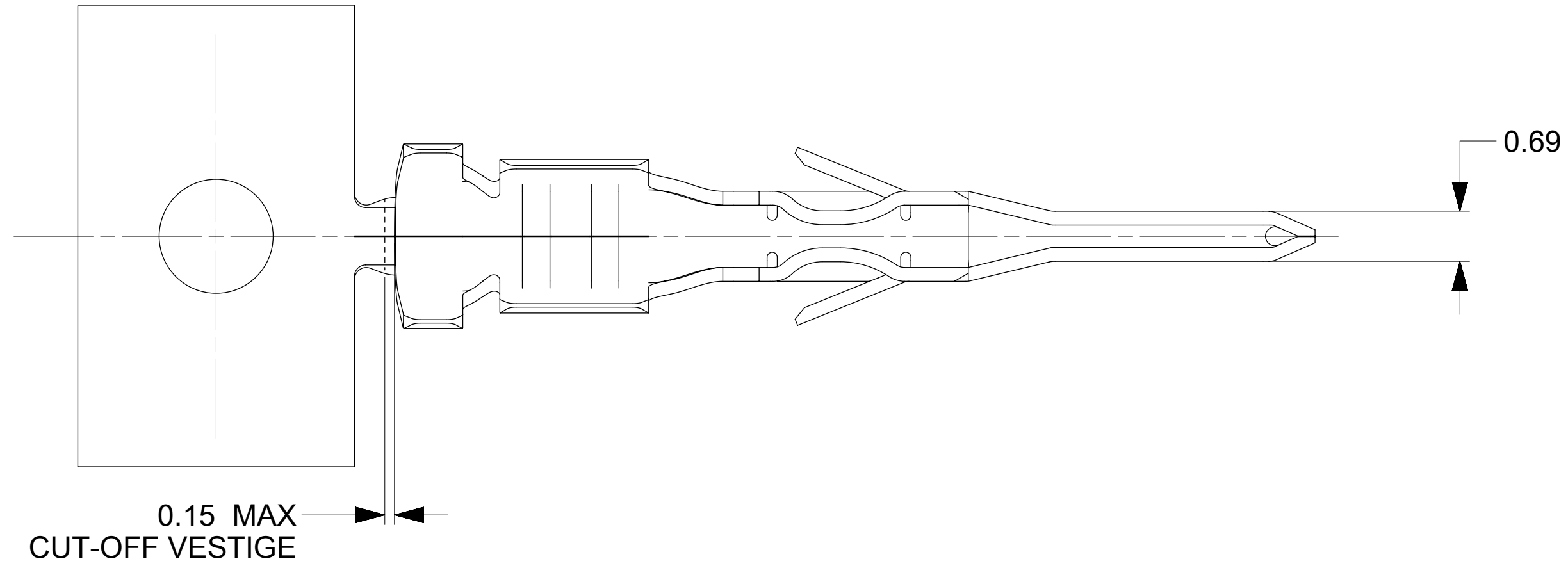
This document was generated on Jan 02, 2024

PART NUMBER	PLATING OPTION	WIRE SIZE	ASSEMBLY OPTION	DIM A	DIM C	DIM D	DIM E	DIM G	DIM H
430315003	A	20-24	CHAIN	2.31	2.51	0.76	1.91	0.64	2.08
430315004	B	20-24	CHAIN	2.31	2.51	0.76	1.91	0.64	2.08
430315005	C	20-24	CHAIN	2.31	2.51	0.76	1.91	0.64	2.08
430315006	D	20-24	CHAIN	2.31	2.51	0.76	1.91	0.64	2.08
430315007	A	26-30	CHAIN	1.91	2.1	0.64	1.47	0.51	1.65
430315008	B	26-30	CHAIN	1.91	2.1	0.64	1.47	0.51	1.65
430315009	C	26-30	CHAIN	1.91	2.1	0.64	1.47	0.51	1.65
430315010	D	26-30	CHAIN	1.91	2.1	0.64	1.47	0.51	1.65
430315013	A	20-24	LOOSE	2.31	2.51	0.76	1.91	0.64	2.08
430315014	B	20-24	LOOSE	2.31	2.51	0.76	1.91	0.64	2.08
430315015	C	20-24	LOOSE	2.31	2.51	0.76	1.91	0.64	2.08
430315016	D	20-24	LOOSE	2.31	2.51	0.76	1.91	0.64	2.08
430315017	A	26-30	LOOSE	1.91	2.1	0.64	1.47	0.51	1.65
430315018	B	26-30	LOOSE	1.91	2.1	0.64	1.47	0.51	1.65
430315019	C	26-30	LOOSE	1.91	2.1	0.64	1.47	0.51	1.65
430315020	D	26-30	LOOSE	1.91	2.1	0.64	1.47	0.51	1.65

**NOTES:**

- MATERIAL: PHOSPHER BRONZE ALLOY
- FINISH:
  - "A" - PREPLATED TIN 1µm - 2.5µm
  - "B" - 0.38µm MIN SELECTIVE GOLD OVER 2.5µm MIN SELECTIVE TIN OVER 1.27µm OVERALL NICKEL
  - "C" - 0.76µm MIN SELECTIVE GOLD OVER 2.5µm MIN SELECTIVE TIN OVER 1.27µm OVERALL NICKEL
  - "D" - 2.5µm MIN MATTE TIN OVER 1.27µm OVERALL NICKEL
- PRODUCT SPECIFICATION: PS-43045, PS-43650, PS-44300-001
- PACKAGING SPECIFICATION: FOR REELED SEE PK-43031-001; FOR LOOSE SEE PK-43030-003
- TERMINAL FOR USE IN PLUG HOUSING SERIES 200875.
- FOR TERMINAL ORIENTATION IN HOUSING SEE DRAWING 2008750000-SD.
- SOME GOLD MAY BE PRESENT ON INSIDE SURFACE.

AWG	MAX INSULATION OD
20-24	1.85
26-30	1.27



<b>QUALITY SYMBOLS</b> 	THIS DRAWING CONTAINS INFORMATION THAT IS PROPRIETARY TO MOLEX ELECTRONIC TECHNOLOGIES, LLC AND SHOULD NOT BE USED WITHOUT WRITTEN PERMISSION		<b>GENERAL TOLERANCES (UNLESS SPECIFIED)</b> DIMENSION UNITS: MM SCALE: 15:1 ANGULAR TOL ± °		  <b>MICRO-FIT TPA MALE CRIMP TERMINAL</b>  PRODUCT CUSTOMER DRAWING
	DRWN BY: TGREGORI CHKD BY: RHODGE	DATE: 2017/01/27 DATE: 2017/02/24	DRWN BY: TGREGORI CHKD BY: RHODGE	DATE: 2017/01/06 DATE: 2017/01/27	
	4 PLACES ± 3 PLACES ± 2 PLACES ± 0.25 1 PLACE ± 0.35 0 PLACES ±	APPR BY: RHODGE DATE: 2017/02/24	DRAWING SIZE: D THIRD ANGLE PROJECTION	SERIES: 43031 MATERIAL NUMBER: SEE TABLE CUSTOMER: GENERAL MARKET	
	EC NO: 112887 DRWN: TGREGORI CHKD: RHODGE REV: APPR:	A	DOCUMENT NUMBER: 430310000-SD DOC TYPE: PSD DOC PART: 000 SHEET NUMBER: 1 OF 1		