



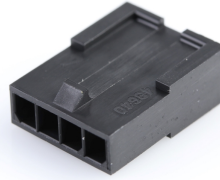
产品编号：[436400409](#)

Product Description：Micro-Fit 3.0 Plug Housing, Single Row, 4 Circuits, UL 94V-0, Low-Halogen Since Inception, Black

系列号：43640

状态：Active

Product Category：Connector Housings



文件和资源

图纸

[图纸 436400409_sd.pdf](#)

3D 模型和设计文件

[3D模型 436400409_stp.zip](#)

规格

[包装规格 PK-43640-003-001.pdf](#)

[产品规格 436500001-PS-JA-000.pdf](#)

[产品规格 436500001-PS-KO-000.pdf](#)

[产品规格 436500001-PS-SP-000.pdf](#)

[产品规格 PS-43650-001.pdf](#)

[测试摘要 430450005-TS-000.pdf](#)

[测试摘要 TS-43045-001-001.pdf](#)

[测试摘要 TS-43045-002-001.pdf](#)

[测试摘要 TS-43045-003-001.pdf](#)

[测试摘要 TS-46235-001-001.pdf](#)

产物环境合规

合规

| | |
|--------------------|--|
| GADSL/IMDS | Not Relevant |
| China RoHS | |
| EU ELV | Compliant per 2000/53/EC |
| Low-Halogen Status | Low-Halogen per IEC 61249-2-21 |
| REACH SVHC | Not Contained per D(2023)3788-DC (14 Jun 2023) |
| EU RoHS | Compliant per EU 2015/863 |

[多部分产品合规性声明](#)

- Eu RoHS
- REACH SVHC
- Low-Halogen

多部分行业合规性文件

- IPC 1752A Class C
- IPC 1752A Class D
- Molex Product Compliance Declaration
- IEC-62474
- chemSHERPA (xml)

欧盟 RoHS 合格证书

产品详情

常规

| | |
|------|--|
| 状态 | 活动 |
| 类别 | Connector Housings |
| 系列 | 43640 |
| 说明 | Micro-Fit 3.0 Plug Housing, Single Row, 4 Circuits, UL 94V-0, Low-Halogen Since Inception, Black |
| 应用 | Power, Wire-to-Wire |
| 个评论 | Halogen Free/Low Halogen since inception |
| 产品系列 | Micro-Fit Connector System |
| 产品名称 | Micro-Fit 3.0 |
| UPC | 883906114596 |

机构

| | |
|-----|---------|
| CSA | LR19980 |
| UL | E29179 |

物理

| | |
|---------|-------|
| 电路数（最多） | 4 |
| 颜色-树脂 | 黑色 |
| 阻燃性 | 94V-0 |
| 性别 | Plug |
| 符合灼热丝规范 | 否 |

| | |
|-----------|-----------------|
| 插接极性 | 无 |
| 锁定插接部位 | 是 |
| 材料 - 树脂 | Nylon |
| 净重 | 0.600/g |
| 行数 | 1 |
| 包装形式 | Bag |
| 面板安装式 | 否 |
| 间距 - 插配接口 | 3.00mm |
| 有极性的插配件 | 是 |
| 可堆叠的 | 否 |
| 运行温度范围 | -40° to +105° C |

进程

| | |
|----|-----|
| 无铅 | 不适用 |
|----|-----|

可配插/可连接使用的产品

可配插部件

| 描述 | 产品编号 |
|---|---------------|
| Micro-Fit 3.0 Single Row Receptacle Housings | <u>43645</u> |
| Micro-Fit TPA-to-Micro-Fit TPA Off-the-Shelf (OTS) Cable Assemblies | <u>145132</u> |
| Micro-Fit 3.0 Female-to-Micro-Fit 3.0 Female Off-the-Shelf (OTS) Cable Assemblies | <u>214750</u> |
| Micro-Fit 3.0 Female-to-Pigtail Off-the-Shelf (OTS) Cable Assemblies | <u>214751</u> |

可连接使用部件

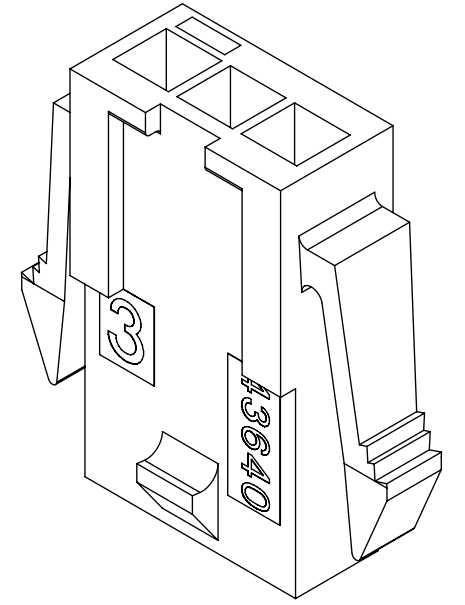
| 描述 | 产品编号 |
|---|---------------|
| Micro-Fit Male Crimp Terminals | <u>43031</u> |
| Pre-Crimped Lead Micro-Fit 3.0 Male-to-Micro-Fit 3.0 Male | <u>214762</u> |
| Pre-Crimped Lead Micro-Fit 3.0 Male-to-Pigtail | <u>214763</u> |

This document was generated on Dec 29, 2023

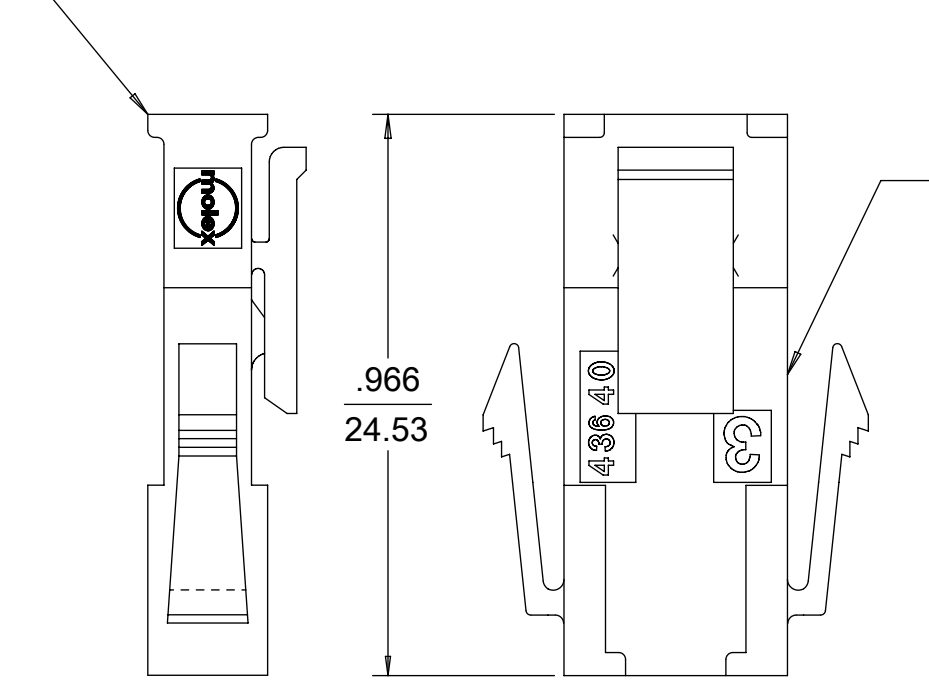
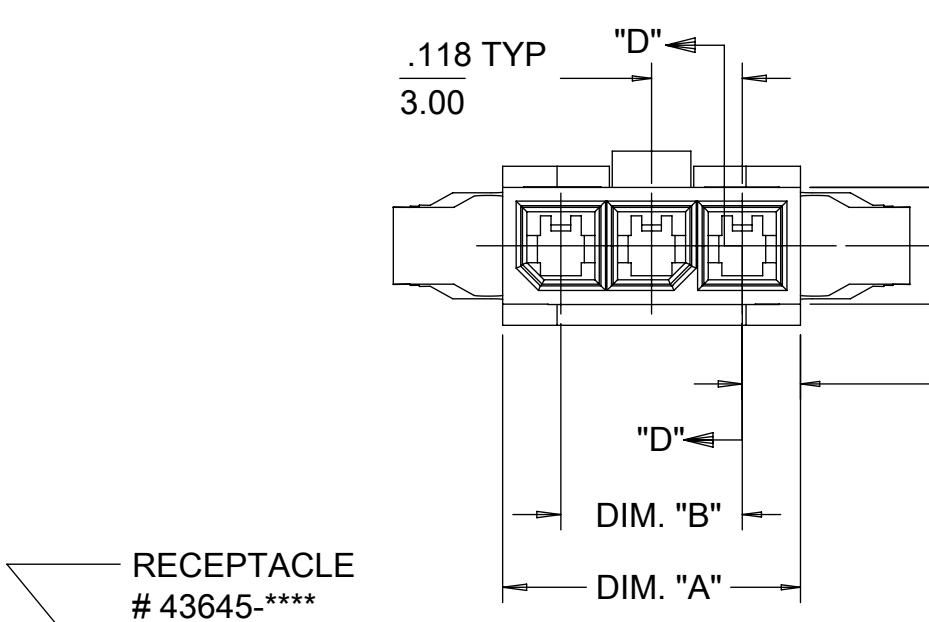
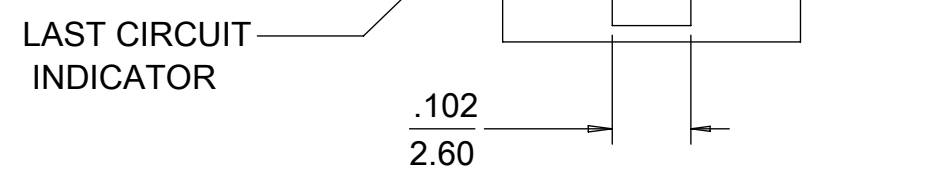
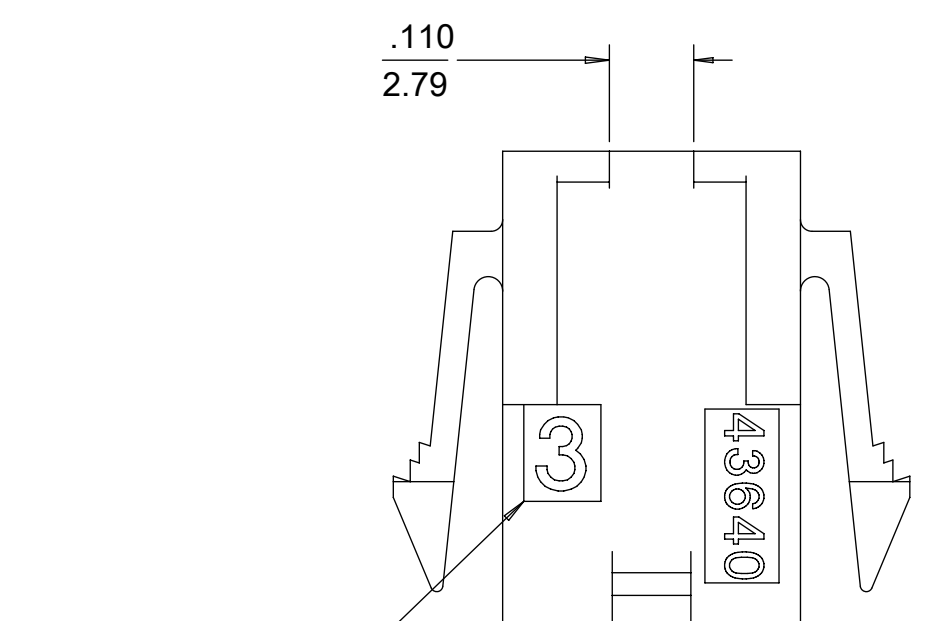
| X- CONTACT FACTORY | ASSEMBLY ITEM NUMBER | PART CHARACTERISTICS NUMBER OF POSITION |
|--------------------|----------------------|---|
| | 43640-0208 | 02 |
| | 43640-0308 | 03 |
| | 43640-0408 | 04 |
| X | | 05 |
| | 43640-0608 | 06 |
| | 43640-0708 | 07 |
| X | | 08 |
| X | | 09 |
| X | | 10 |
| X | | 11 |
| X | | 12 |

| CKT. NO. | DIM. "A" | DIM. "B" | DIM. "C" | DIM. "D" |
|----------|-------------|-------------|-------------|-------------|
| 2 | .270/6.85 | .118/3.00 | .284/7.21 | .429/10.90 |
| 3 | .388/9.85 | .236/6.00 | .402/10.21 | .547/13.89 |
| 4 | .506/12.85 | .354/9.00 | .520/13.21 | .665/16.89 |
| 5 | .624/15.85 | .472/12.00 | .638/16.21 | .783/19.89 |
| 6 | .742/18.85 | .591/15.00 | .756/19.21 | .901/22.89 |
| 7 | .860/21.85 | .709/18.00 | .874/22.20 | 1.019/25.88 |
| 8 | .978/24.85 | .827/21.00 | .992/25.20 | 1.137/28.88 |
| 9 | 1.096/27.85 | .945/24.00 | 1.110/28.20 | 1.255/31.88 |
| 10 | 1.215/30.85 | 1.063/27.00 | 1.229/31.22 | 1.373/34.87 |
| 11 | 1.333/33.85 | 1.181/30.00 | 1.347/34.22 | 1.491/37.87 |
| 12 | 1.451/36.85 | 1.299/33.00 | 1.465/37.22 | 1.609/40.87 |

- NOTES:
- HOUSING MATERIAL: UNFILLED NYLON, RATED UL94V-0, COLOR IS BLACK. (LOW-HALOGEN)
 - FINISH: NONE
 - PRODUCT SPECIFICATION: PS-43650
 - PACKAGING SPECIFICATION: PK-43640-003
 - THIS HOUSING MATES WITH MICRO-FIT RECEPTACLE #43645-****.
 - THIS HOUSING IS DESIGNED IN METRIC
 - THIS HOUSING TO BE USED WITH MOLEX MALE TERMINAL #43031-****.
 - PLUG DESIGNED FOR .062/1.57 TO .090/2.30 THICK STAMPED PANEL OR P.C.BOARD.
 - SEE SECTION "D"- "D" FOR TERMINAL ORIENTATION IN HOUSING.
 - SEE SHEET 2 FOR PLUG WITHOUT PANEL MOUNTS.
 - PANEL MOUNT FEATURES MUST LOCK ON SIDE OPPOSITE PUNCH SIDE FOR OPTIMUM RETENTION.
 - THIS PART CONFORMS TO CLASS B REQUIREMENTS OF COSMETIC SPECIFICATION PS-45499-002.



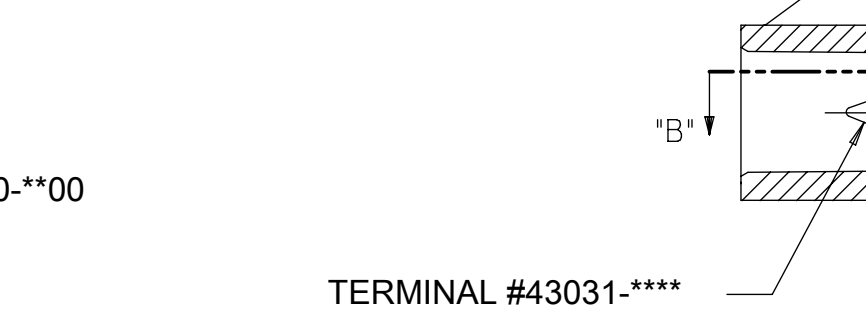
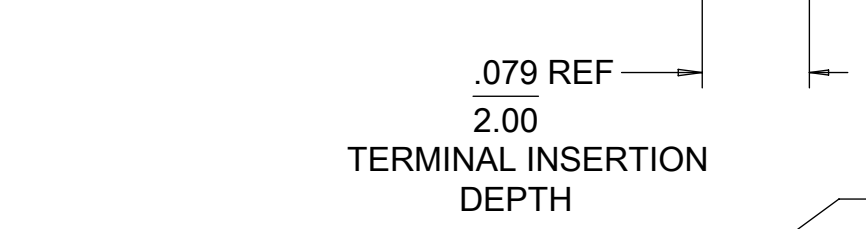
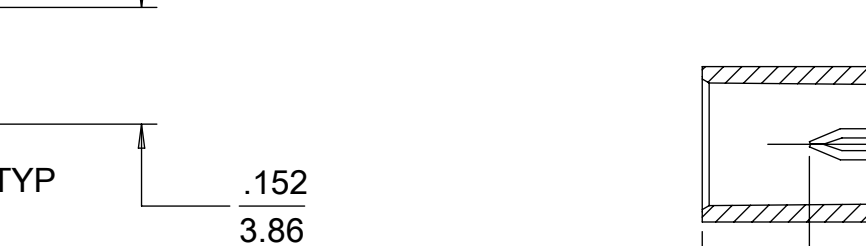
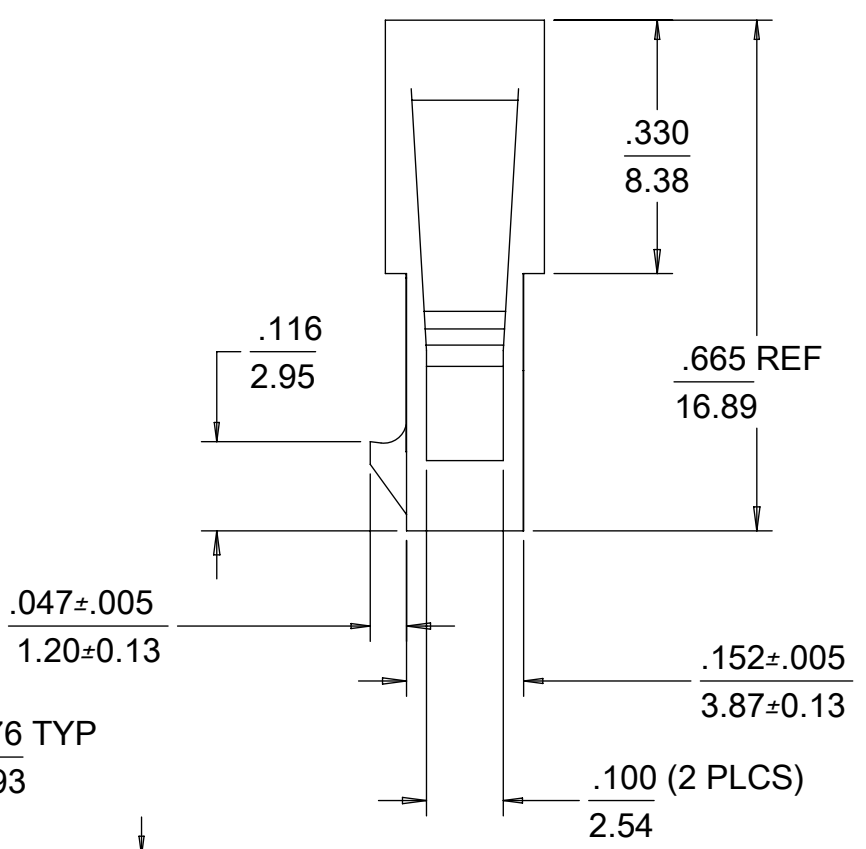
PLUG WITH PANEL MOUNTS



MATED MICRO-FIT CONNECTOR

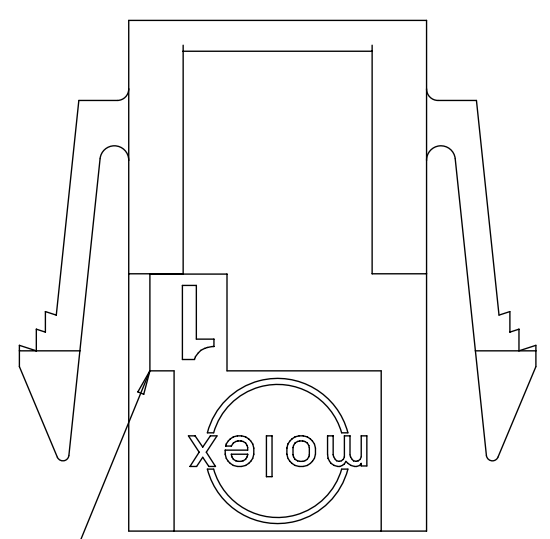
MODEL: EM-43640-300

| | |
|----------------|--------------|
| RELEASE STATUS | RELEASE DATE |
|----------------|--------------|

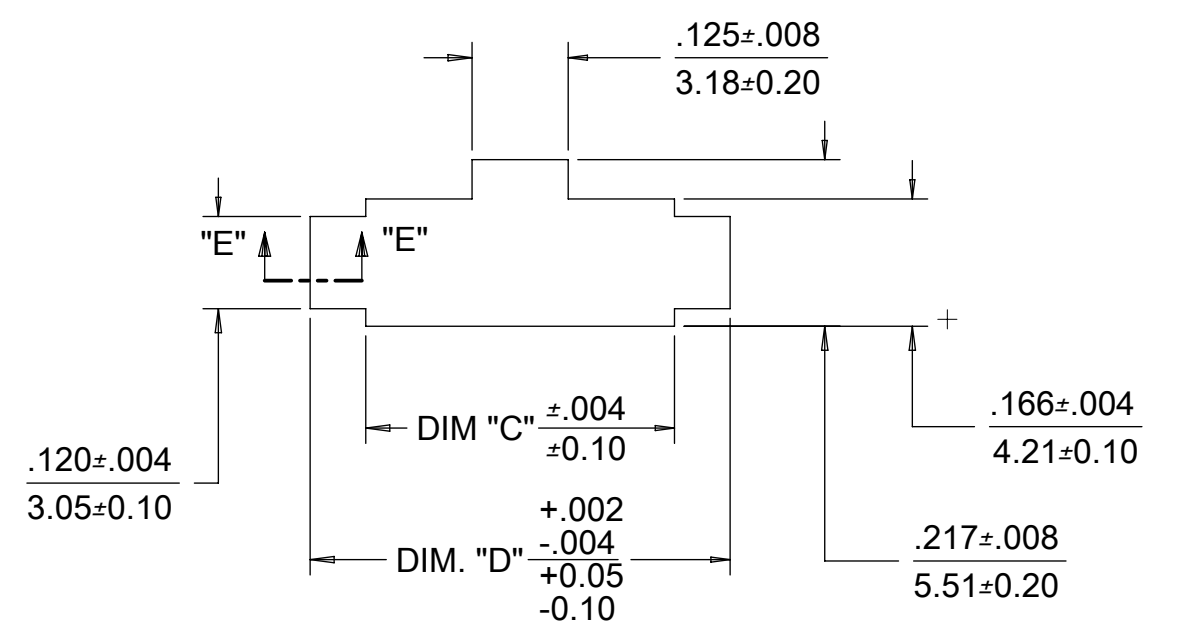


SECTION "B"- "B" NO SCALE

SECTION "D"- "D" WITH TERMINAL NO SCALE

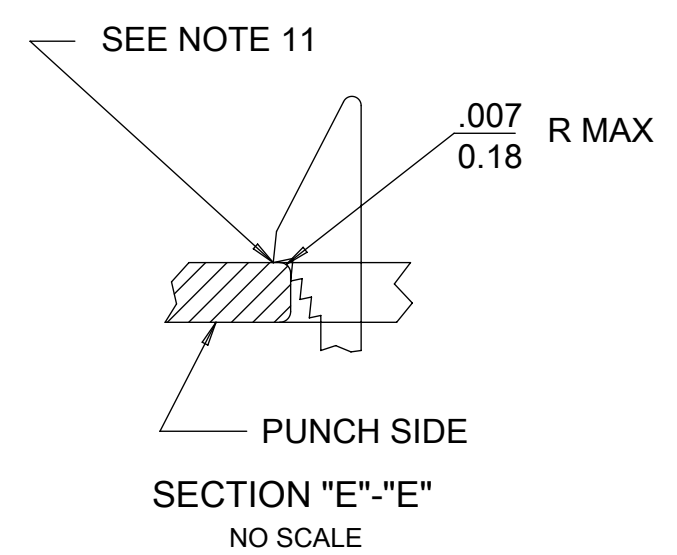


FIRST CIRCUIT INDICATOR



RECOMMENDED PANEL CUT-OUT (SEE NOTES 8 & 11)

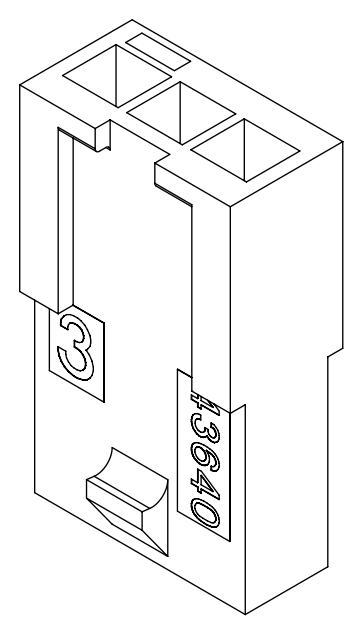
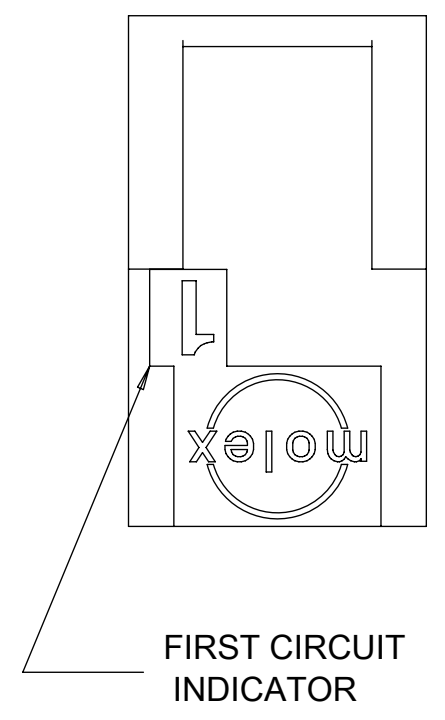
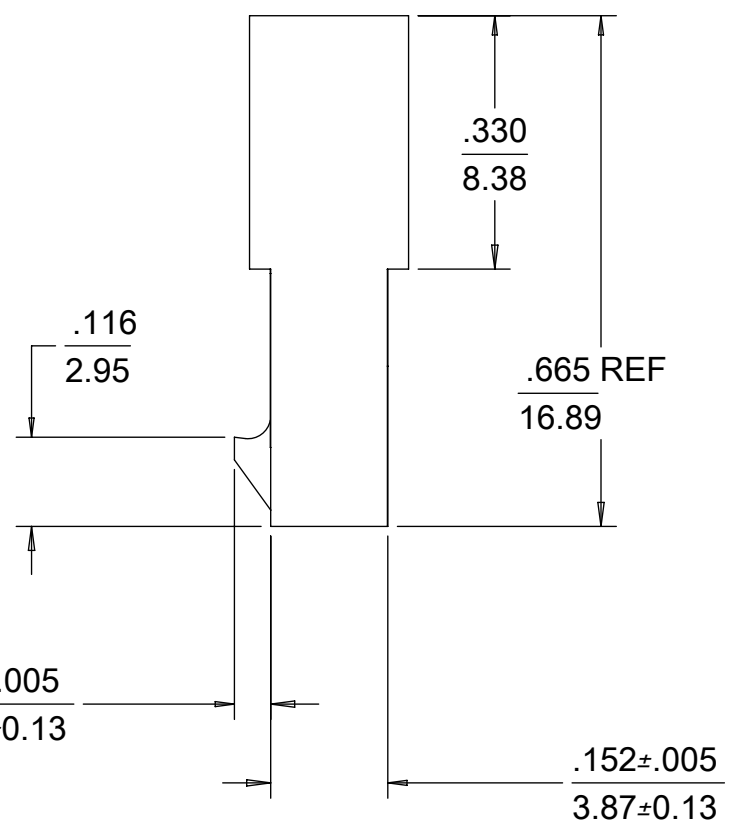
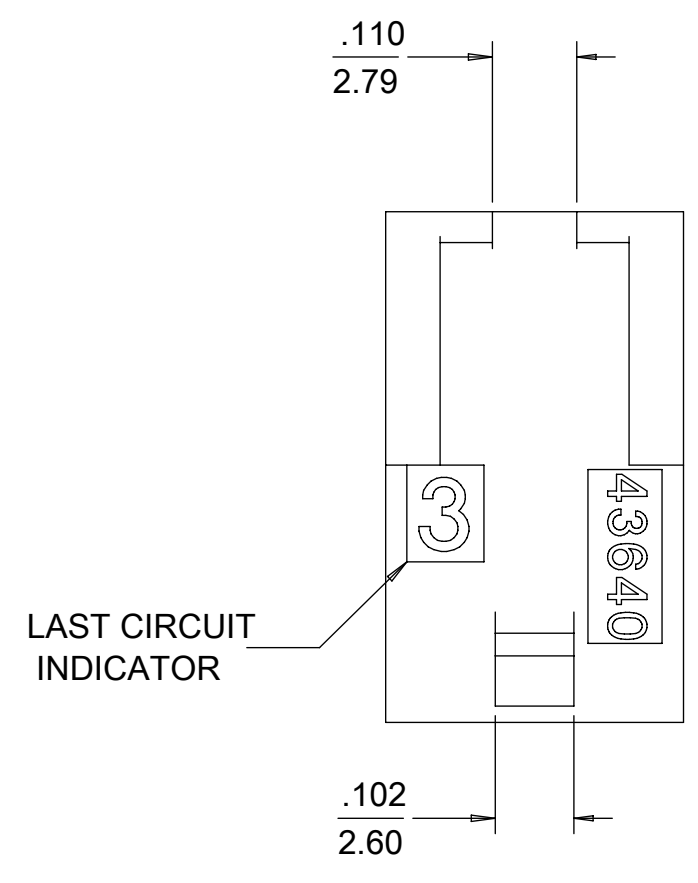
TERMINAL LOCKING TABS MUST BE FULLY SEATED TO HOUSING BEFORE MATING WITH OTHER HALF OF CONNECTOR SYSTEM.



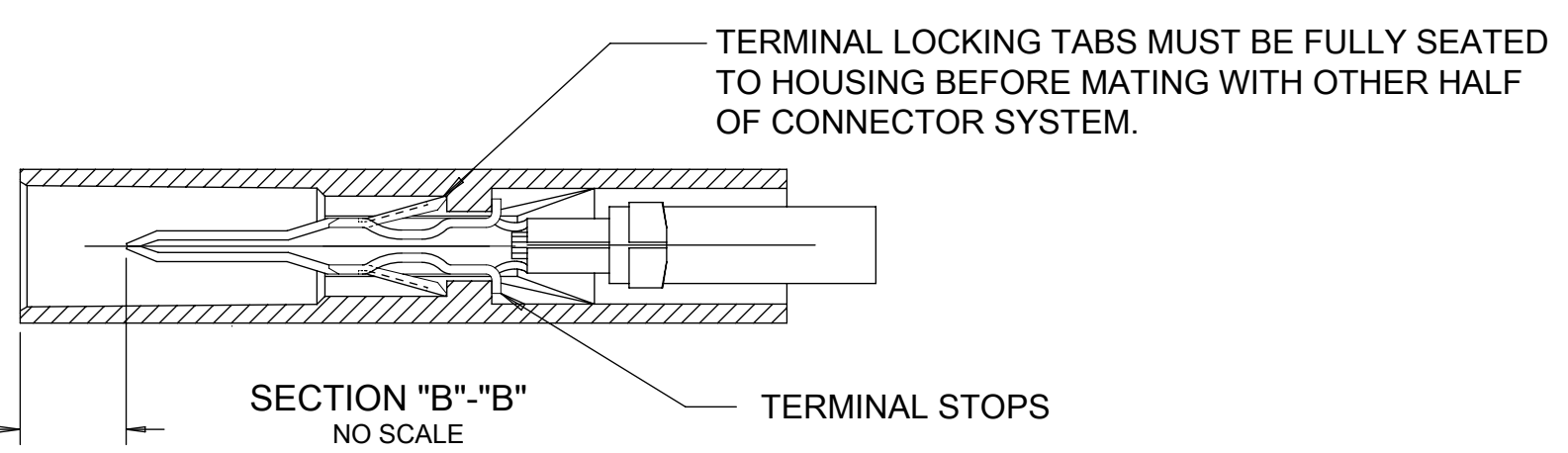
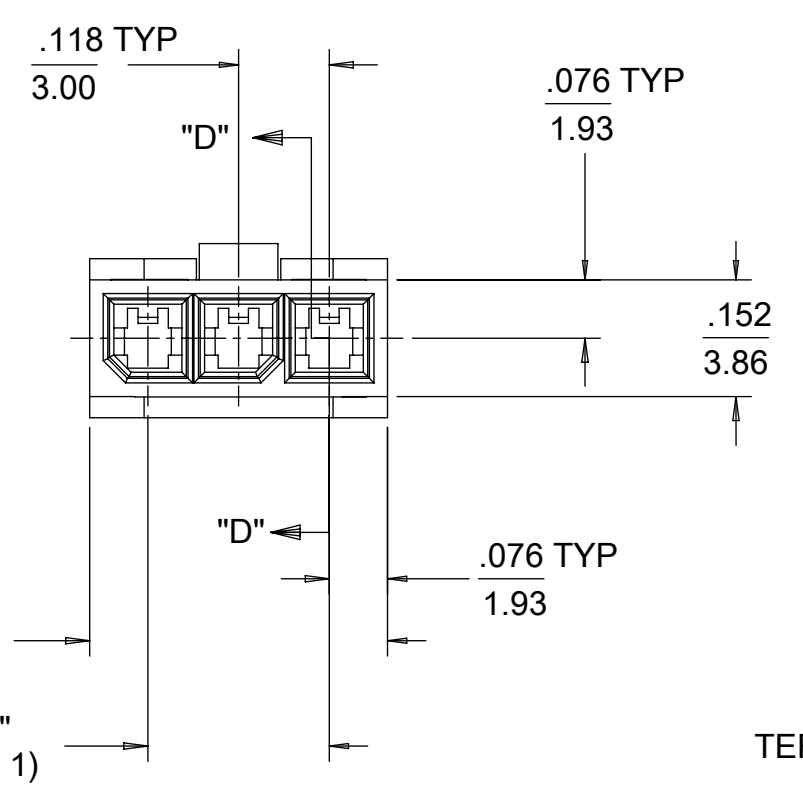
SECTION "E"- "E" NO SCALE

| | | | | | | |
|--|---|--------|-----------------|--------------|--|--|
| QUALITY SYMBOLS | THIS DRAWING CONTAINS INFORMATION THAT IS PROPRIETARY TO MOLEX ELECTRONIC TECHNOLOGIES, LLC AND SHOULD NOT BE USED WITHOUT WRITTEN PERMISSION | | DIMENSION UNITS | | SCALE | |
| | | | IN/MM | 4:1 | | |
| UPDATE NOTE 1 EC NO: 111284 DRWN: JQUILES CHKD: SSOUSEK REV APPR: FSMITH | GENERAL TOLERANCES (UNLESS SPECIFIED) | | DRWN BY | DATE | MICRO-FIT(3.0) IN-LINE PLUG, LOW HALOGEN WITH OPTIONAL PANEL MOUNTS PRODUCT CUSTOMER DRAWING SERIES: 43640 MATERIAL NUMBER: SEE CHART CUSTOMER: GENERAL MARKET DOCUMENT NUMBER: SD-43640-001 DOC TYPE: PSD DOC PART: 000 SHEET NUMBER: 1 OF 2 | |
| | 4 PLACES | ± | MKIPPER | 2008/01/21 | | |
| | 3 PLACES | ± | CHK'D BY | DATE | | |
| | 2 PLACES | ± 0.25 | SSOUSEK | 2008/01/30 | | |
| | 1 PLACES | ± 0.35 | APPR BY | DATE | | |
| 0 PLACES | ± | FSMITH | 2015/05/08 | DRAWING SIZE | THIRD ANGLE PROJECTION | |
| | ANGULAR TOL = 5.0 | | C | | | |
| | DRAFT WHERE APPLICABLE MUST REMAIN WITHIN DIMENSIONS | | | | | |

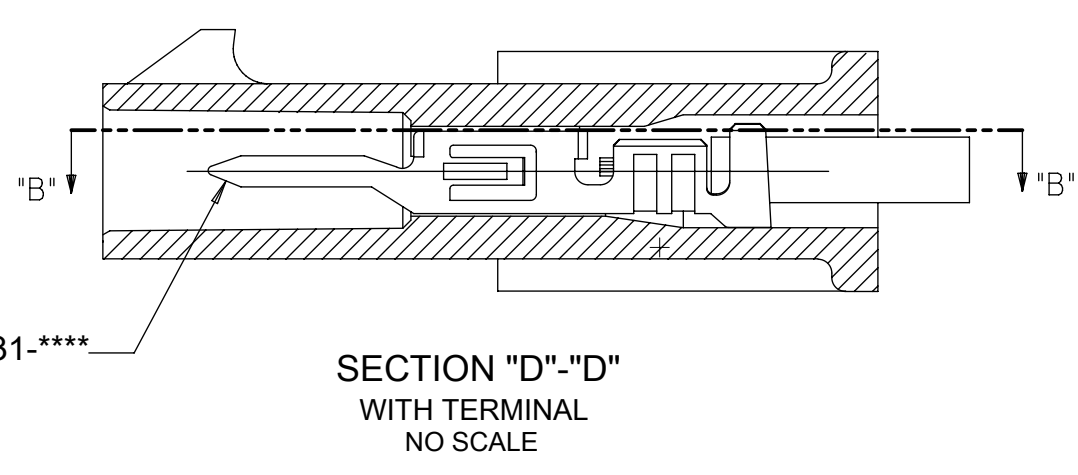
| X- CONTACT FACTORY | ASSEMBLY ITEM NUMBER | PART CHARACTERISTICS NUMBER OF POSITION |
|--------------------|----------------------|---|
| | 43640-0209 | 02 |
| | 43640-0309 | 03 |
| | 43640-0409 | 04 |
| X | | 05 |
| | 43640-0609 | 06 |
| | 43640-0709 | 07 |
| X | | 08 |
| X | | 09 |
| X | | 10 |
| X | | 11 |
| X | | 12 |



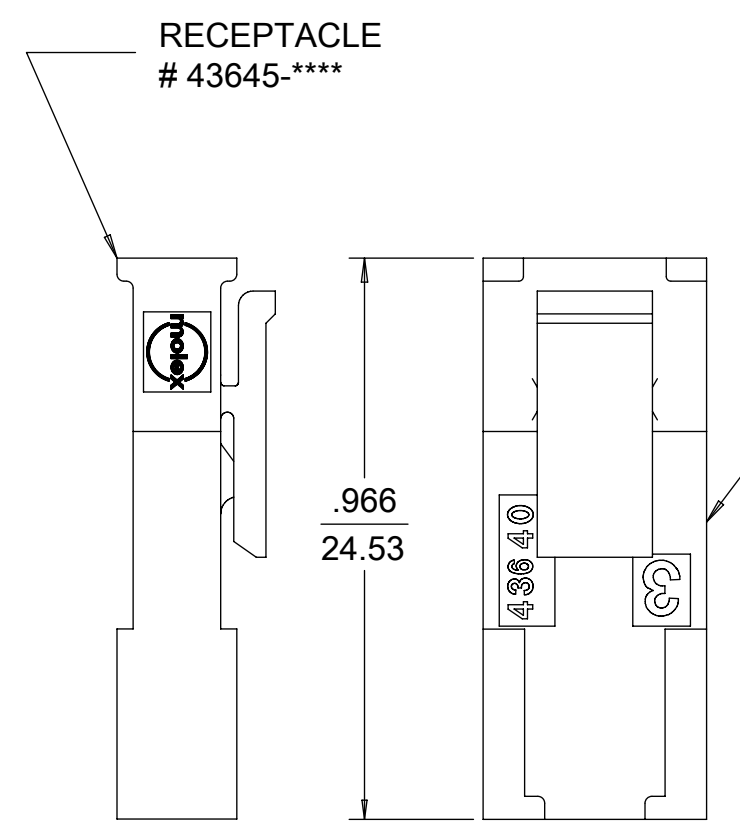
PLUG WITHOUT PANEL MOUNTS



TERMINAL INSERTION DEPTH



SECTION "D"- "D" WITH TERMINAL NO SCALE



MATED MICRO-FIT CONNECTOR

PLUG # 43640-**01

| QUALITY SYMBOLS | THIS DRAWING CONTAINS INFORMATION THAT IS PROPRIETARY TO MOLEX ELECTRONIC TECHNOLOGIES, LLC AND SHOULD NOT BE USED WITHOUT WRITTEN PERMISSION | | | | GENERAL TOLERANCES (UNLESS SPECIFIED) <table border="1"> <tr> <th></th> <th>MM</th> <th>INCH</th> </tr> <tr> <td>4 PLACES</td> <td>±</td> <td>±</td> </tr> <tr> <td>3 PLACES</td> <td>±</td> <td>± 0.01</td> </tr> <tr> <td>2 PLACES</td> <td>± 0.25</td> <td>± 0.014</td> </tr> <tr> <td>1 PLACE</td> <td>± 0.35</td> <td>±</td> </tr> <tr> <td>0 PLACES</td> <td>±</td> <td>±</td> </tr> </table> | | MM | INCH | 4 PLACES | ± | ± | 3 PLACES | ± | ± 0.01 | 2 PLACES | ± 0.25 | ± 0.014 | 1 PLACE | ± 0.35 | ± | 0 PLACES | ± | ± | DIMENSION UNITS IN/MM SCALE 4:1 | | |
|---|---|---|---|---|---|---------------------------------|----|------|----------|---|---|----------|---|--------|----------|--------|---------|---------|--------|---|----------|---|---|--|--|--|
| | | MM | INCH | | | | | | | | | | | | | | | | | | | | | | | |
| | 4 PLACES | ± | ± | | | | | | | | | | | | | | | | | | | | | | | |
| | 3 PLACES | ± | ± 0.01 | | | | | | | | | | | | | | | | | | | | | | | |
| 2 PLACES | ± 0.25 | ± 0.014 | | | | | | | | | | | | | | | | | | | | | | | | |
| 1 PLACE | ± 0.35 | ± | | | | | | | | | | | | | | | | | | | | | | | | |
| 0 PLACES | ± | ± | | | | | | | | | | | | | | | | | | | | | | | | |
| UPDATE NOTE 1 EC NO: 111284 DRWN: JQUILES CHKD: SSOUSEK REV APPR: FSMITH | DRWN BY: MKIPPER DATE: 2008/01/21 | | MICRO-FIT(3.0) IN-LINE PLUG, LOW HALOGEN WITH OPTIONAL PANEL MOUNTS | | | | | | | | | | | | | | | | | | | | | | | |
| | DRIFT WHERE APPLICABLE MUST REMAIN WITHIN DIMENSIONS | | DRAWING SIZE C | THIRDS ANGLE PROJECTION | | PRODUCT CUSTOMER DRAWING | | | | | | | | | | | | | | | | | | | | |
| | | SERIES: 43640 MATERIAL NUMBER: SEE CHART CUSTOMER: GENERAL MARKET | | DOCUMENT NUMBER: SD-43640-001 DOC TYPE: PSD DOC PART: 000 SHEET NUMBER: 2 OF 2 | | | | | | | | | | | | | | | | | | | | | | |

| | | |
|---------------------|----------------|--------------|
| MODEL: EM-43640-301 | RELEASE STATUS | RELEASE DATE |
|---------------------|----------------|--------------|