



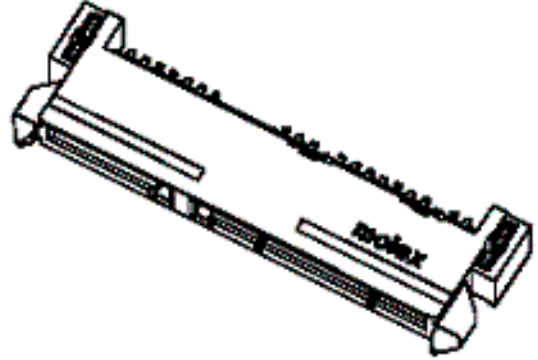
产品编号：[470184001](#)

Product Description : 1.27mm Pitch Serial ATA Host Receptacle, Mating Height 5.15mm, 0.76µm Gold (Au) Plating, Light Tin Solder Area, Surface Mount, Right-Angle, Top Mount Type, 22 Circuits, Lead-Free

系列号：47018

状态：Active

Product Category : PCB Headers and Receptacles



文件和资源

图纸

[图纸 470184001_sd.pdf](#)

[包装设计图 PK-47018-003-002.pdf](#)

3D 模型和设计文件

[3D模型 470184001_stp.zip](#)

[电气模型文件 EE-47018-003-001.pdf](#)

[S参数 SP-47018-003-001.zip](#)

规格

[产品规格 PS-67492-001-001.pdf](#)

[产品规格 PS-67492-001-007.pdf](#)

产物环境合规

合规

GADSL/IMDS	Not Relevant
China RoHS	
EU ELV	Not Relevant
Low-Halogen Status	Low-Halogen per IEC 61249-2-21
REACH SVHC	Not Contained per D(2023)3788-DC (14 Jun 2023)
EU RoHS	Compliant per EU 2015/863

[多部分产品合规性声明](#)

- Eu RoHS

- REACH SVHC

- Low-Halogen

多部分行业合规性文件

- IPC 1752A Class C

- IPC 1752A Class D

- Molex Product Compliance Declaration

- IEC-62474

- chemSHERPA (xml)

欧盟 RoHS 合格证书

产品详情

常规

状态	活动
类别	PCB Headers and Receptacles
系列	47018
说明	1.27mm Pitch Serial ATA Host Receptacle, Mating Height 5.15mm, 0.76µm Gold (Au) Plating, Light Tin Solder Area, Surface Mount, Right-Angle, Top Mount Type, 22 Circuits, Lead-Free
应用	Board-to-Board, Signal
个评论	Top Mount Type
元件类型	PCB Receptacle
产品系列	Serial ATA Connectors
产品名称	Serial ATA
UPC	822350330824

机构

CSA	LR19980
UL	E29179

电气

每触点最大电流	1.5A
电压 - 最大	15V DC

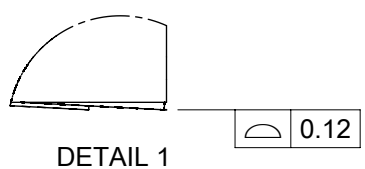
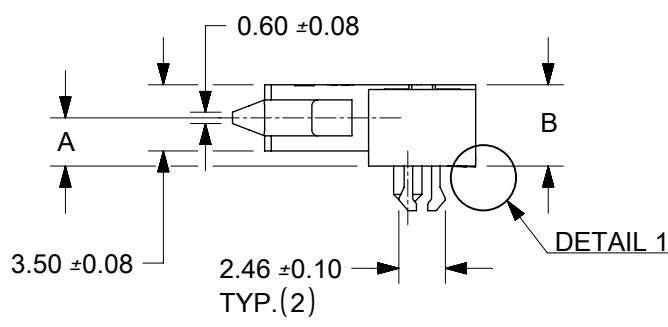
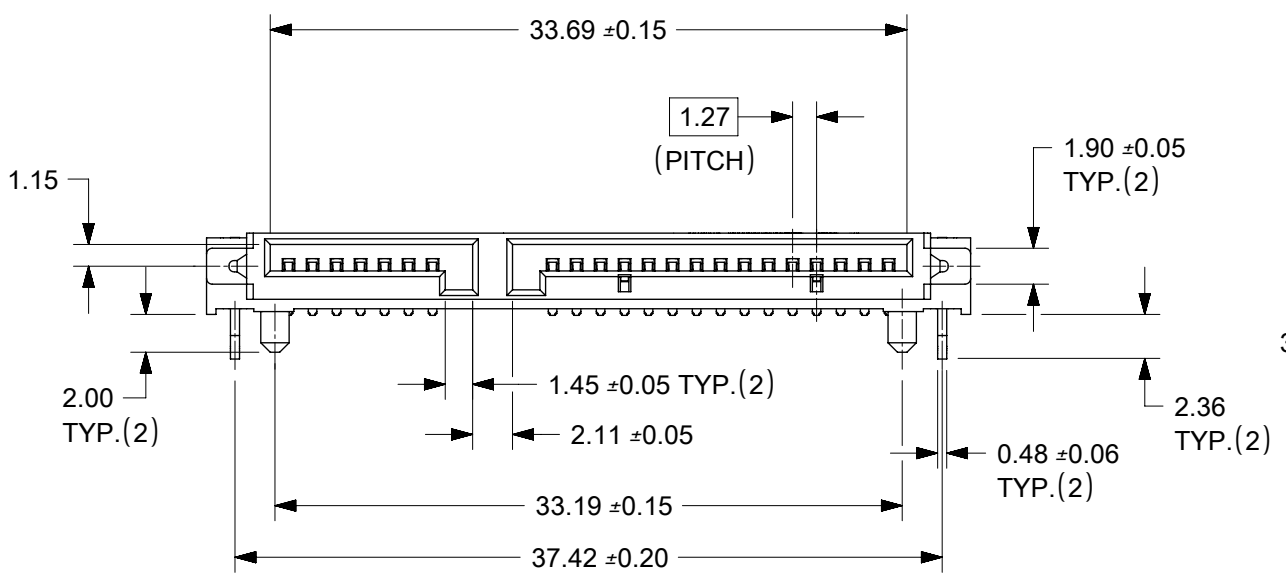
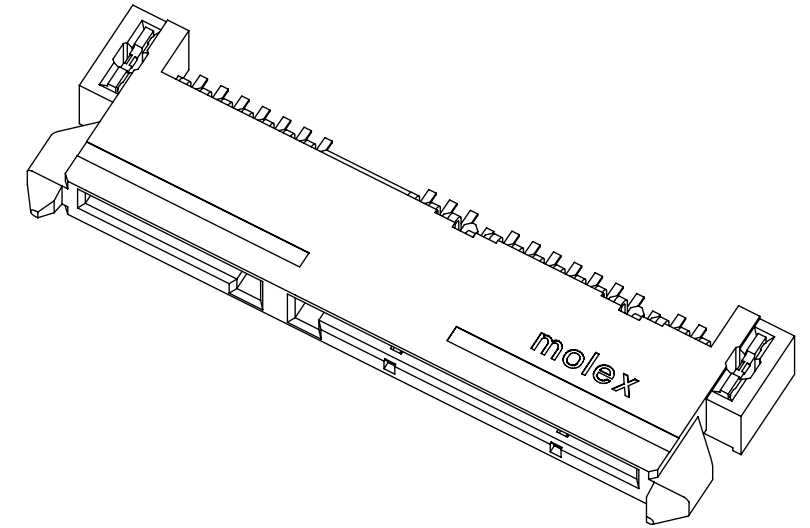
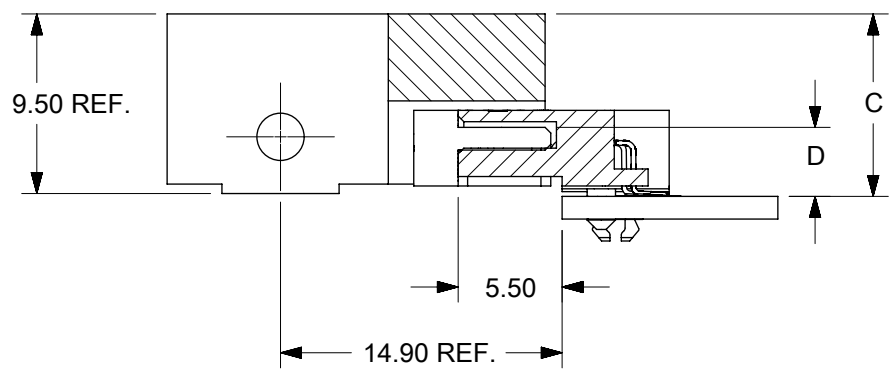
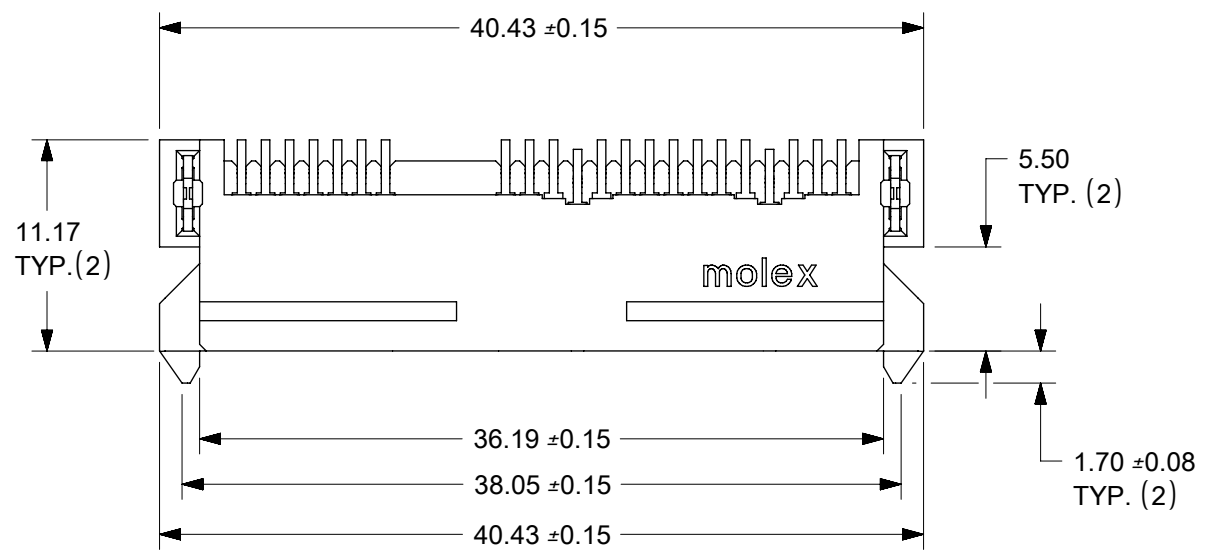
物理

回路数 (已载入)	22
-----------	----

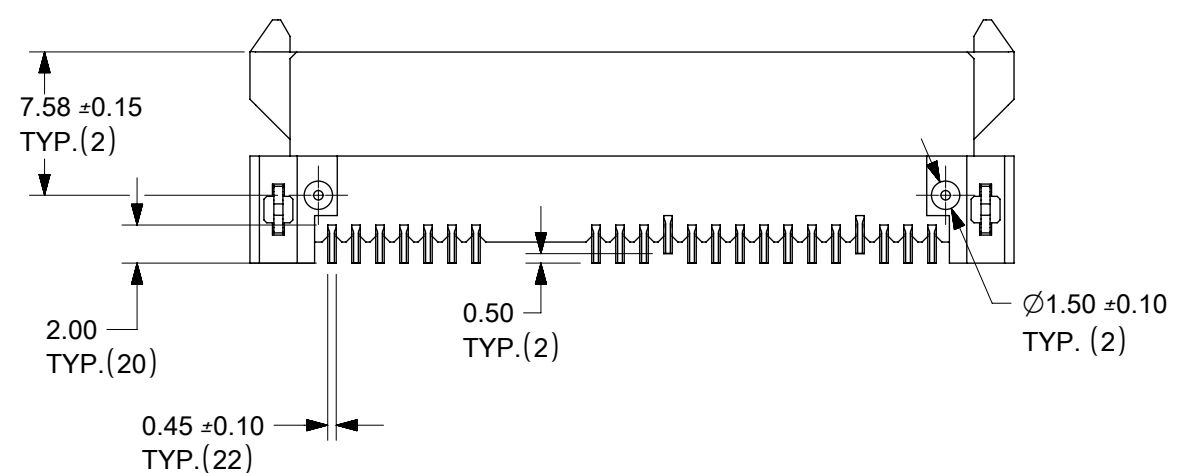
电路数 (最多)	22
颜色-树脂	黑色
耐用性(插拔次数) - 最多次数	500
阻燃性	94V-0
符合灼热丝规范	否
插接极性	是
锁定插接部位	无
材料 - 金属	Copper Alloy
材料 - 接合部位电镀	金牌
材料 - 终端电镀	Tin
净重	1.750/g
行数	1
方向	Right Angle
包装形式	Embossed Tape on Reel
PCB 定位器	是
PCB 保持力	是
推荐的 PCB 厚度	1.60mm
间距 - 插配接口	1.27mm
间距 - 终端界面	1.27mm
最薄镀层 - 接合部位	0.762 μ m
最薄镀层 - 端接	2.032 μ m
有极性的插配件	是
PCB 极性	是
运行温度范围	-35° to +85° C
终端界面类型	Surface Mount

进程

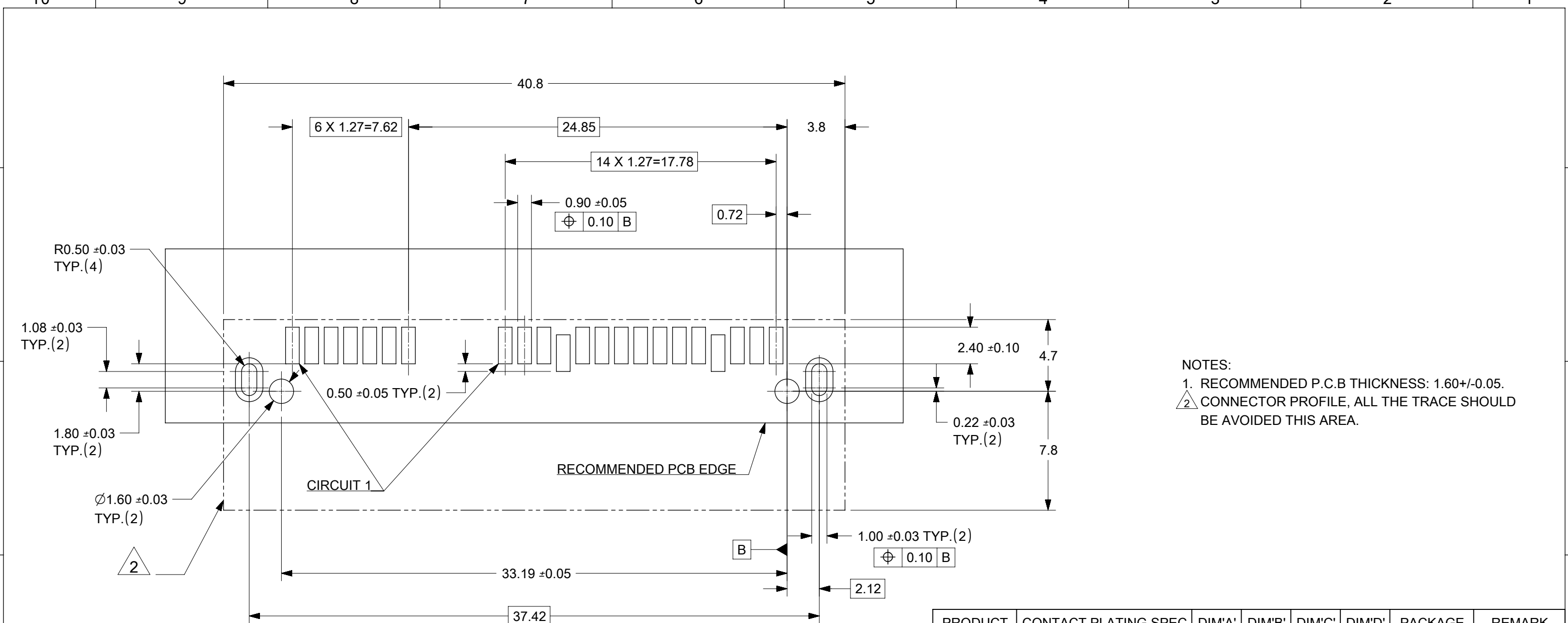
无铅	REFLOW
最高温度	230



- NOTES:
- MATERIAL:
HOUSING: LCP, GLASS FILLED, UL94V-0. COLOR: BLACK;
FORKLOCK: COPPER ALLOY;
TERMINALS: COPPER ALLOY.
 - TERMINAL PLATING:
CONTACT AREA:
(a) GOLD FLASH(0.025 MICRONS MINIMUM);
(b) GOLD, THICKNESS=0.76 MICRONS MINIMUM;
(c) GOLD, THICKNESS=0.38 MICRONS MINIMUM;
SOLDER AREA: TIN, THICKNESS=2.00 MICRONS MINIMUM;
UNDER PLATE: NICKEL, THICKNESS=1.27 MICRONS MINIMUM.
 - FORLOCK PLATING:
SOLDER AREA: TIN, THICKNESS=2.00 MICRONS MINIMUM;
UNDER PLATING: NICKEL, THICKNESS=1.27 MICRONS MINIMUM.
 - PRODUCT SPECIFICATION: PS-67492-001.
 - PACKAGING METHOD: 47018-400*, TAPE REEL, DETAIL REFER TO PK-47018-003;
47018-210*, TAPE REEL, DETAIL REFER TO PK-47018-001;
OTHERS, TRAY, DETAIL REFER TO PK-67492-001.
 - MATING PARTS: 87703/87672.
 - PRODUCT COMPLIANT TO RoSH DIRECTIVE 2002/95/EC AND 2000/53/EC.



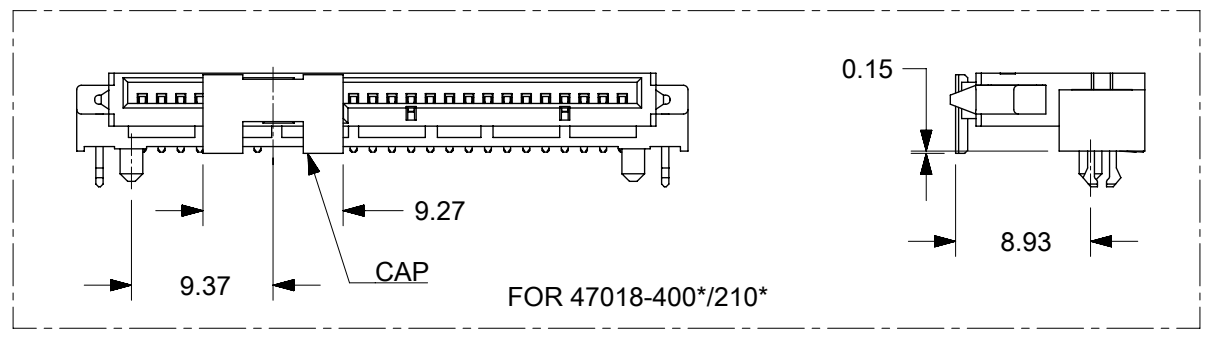
THIS DRAWING CONTAINS INFORMATION THAT IS PROPRIETARY TO MOLEX ELECTRONIC TECHNOLOGIES, LLC AND SHOULD NOT BE USED WITHOUT WRITTEN PERMISSION									
SYMBOLS	DIMENSION UNITS		SCALE		CURRENT REV DESC: MIGRATED TO NX				
	mm		2:1		molex SERIAL ATA DOCKING CONNECTOR TOP MOUNT TYPE				
GENERAL TOLERANCES (UNLESS SPECIFIED)									
▽ = 0	4 PLACES	±			EC NO: 615570 DRWN: GGUNAGI 2019/01/24 CHK'D: JKACHLIC 2019/07/01 APPR: JKACHLIC 2019/07/01				
▽ = 0	3 PLACES	±							
▽ = 0	2 PLACES	±	0.25	±	PRODUCT CUSTOMER DRAWING INITIAL REVISION: DRWN: GLLI 2011/12/12 APPR: XJESONG 2011/12/12				
▽ = 0	1 PLACE	±	0.25	±					
⊠ = 0	0 PLACES	±			DOCUMENT NUMBER: SD-47018-001 DOC TYPE: PSD DOC PART: 001 REVISION: M				
■ = 0	ANGULAR TOL		± 3.0°						
▽ = 0	DRAFT WHERE APPLICABLE MUST REMAIN WITHIN DIMENSIONS		THIRD ANGLE PROJECTION		DRAWING	SERIES	MATERIAL NUMBER	CUSTOMER	SHEET NUMBER
			A3-SIZE		47018	SEE SHEET 2	GENERAL MARKET	1 OF 2	



NOTES:
 1. RECOMMENDED P.C.B THICKNESS: 1.60+/-0.05.
 2. CONNECTOR PROFILE, ALL THE TRACE SHOULD BE AVOIDED THIS AREA.

RECOMMENDED P.C.B LAYOUT (COMPONENT SIDE)

PRODUCT	CONTACT PLATING SPEC	DIM'A'	DIM'B'	DIM'C'	DIM'D'	PACKAGE	REMARK
47018-2100	NOTES 2 (A) OF SHEET 1	2.55	4.30	9.65	3.65	TAPE REEL	PURE TIN (LIGHT TIN) WITH CAP
47018-2101	NOTES 2 (B) OF SHEET 1						
47018-2102	NOTES 2 (C) OF SHEET 1						
47018-4000	NOTES 2 (A) OF SHEET 1	3.40	5.15	10.50	4.50	TAPE REEL	PURE TIN (LIGHT TIN) WITH CAP
47018-4001	NOTES 2 (B) OF SHEET 1						
47018-4002	NOTES 2 (C) OF SHEET 1						
47018-2010	NOTES 2 (A) OF SHEET 1	2.55	4.30	9.65	3.65	TRAY	PURE TIN (MATTE TIN)
47018-2011	NOTES 2 (B) OF SHEET 1						
47018-2012	NOTES 2 (C) OF SHEET 1						
47018-2000	NOTES 2 (A) OF SHEET 1	2.55	4.30	9.65	3.65	TRAY	PURE TIN (LIGHT TIN)
47018-2001	NOTES 2 (B) OF SHEET 1						
47018-2002	NOTES 2 (C) OF SHEET 1						



THIS DRAWING CONTAINS INFORMATION THAT IS PROPRIETARY TO MOLEX ELECTRONIC TECHNOLOGIES, LLC AND SHOULD NOT BE USED WITHOUT WRITTEN PERMISSION

SYMBOLS: $\nabla = 0$, $\nabla = 0$, $\nabla = 0$, $\nabla = 0$, $\nabla = 0$, $\nabla = 0$, $\nabla = 0$, $\nabla = 0$, $\nabla = 0$, $\nabla = 0$

DIMENSION UNITS: mm, INCH

SCALE: 1:1

GENERAL TOLERANCES (UNLESS SPECIFIED):

	MM	INCH
4 PLACES ±		
3 PLACES ±		
2 PLACES ±	0.25	
1 PLACE ±	0.25	
0 PLACES ±		
ANGULAR TOL ±	3.0°	

DRAFT WHERE APPLICABLE MUST REMAIN WITHIN DIMENSIONS

THIRD ANGLE PROJECTION

DRAWING: A3-SIZE

SERIES: 47018

CURRENT REV DESC: MIGRATED TO NX

EC NO: 615570

DRWN: GGUNAGI 2019/01/24

CHK'D: JKACHLIC 2019/07/01

APPR: JKACHLIC 2019/07/01

INITIAL REVISION:

DRWN: GLLI 2011/12/12

APPR: XJSONG 2011/12/12

molex

SERIAL ATA DOCKING CONNECTOR TOP MOUNT TYPE

PRODUCT CUSTOMER DRAWING

DOCUMENT NUMBER: SD-47018-001

DOC TYPE: PSD

DOC PART: 001

REVISION: M

MATERIAL NUMBER: SEE TABLE

CUSTOMER: GENERAL MARKET

SHEET NUMBER: 2 OF 2