



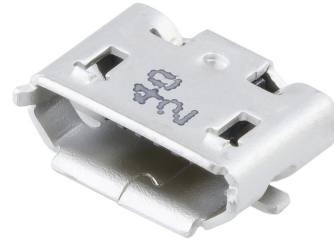
产品编号 : [473460001](#)

Product Description : Micro-USB B Receptacle with Flange, Bottom Mount, Surface Mount, Lead-Free

系列号 : 47346

状态 : Active

Product Category : I/O Connectors



文件和资源

图纸

[图纸 473460001_sd.pdf](#)

[包装设计图 PK-47346-001-001.pdf](#)

3D 模型和设计文件

[3D模型 473460001_stp.zip](#)


规格

[产品规格 PS-47346-001-001.pdf](#)

[测试摘要 473460001TS-000.pdf](#)

产物环境合规

合规

GADSL/IMDS	Not Relevant
China RoHS	
EU ELV	Compliant per 2000/53/EC
Low-Halogen Status	Low-Halogen per IEC 61249-2-21
REACH SVHC	Not Contained per D(2023)3788-DC (14 Jun 2023)
EU RoHS	Compliant per EU 2015/863

多部分产品合规性声明

- Eu RoHS
- REACH SVHC
- Low-Halogen

多部分行业合规性文件

- IPC 1752A Class C

- IPC 1752A Class D
- Molex Product Compliance Declaration
- IEC-62474
- chemSHERPA (xml)

欧盟 RoHS 合格证书

产品详情

常规

状态	活动
类别	I/O Connectors
系列	47346
说明	Micro-USB B Receptacle with Flange, Bottom Mount, Surface Mount, Lead-Free
应用	Wire-to-Board
个评论	Signal contacts 1.0A, Power contacts 1.8A
元件类型	Receptacle
产品系列	USB Connectors: USB Type-A, USB Type-B, and USB Type-C Plugs and Receptacles
产品名称	USB
标准	USB 2.0
类型	Micro-B
UPC	822350955478

机构

UL	E107635
----	---------

电气

每触点最大电流	1.8A, 1.0A
面板接地	是
屏蔽形式	Full Shield
屏蔽	是
电压 - 最大	30V AC (RMS)

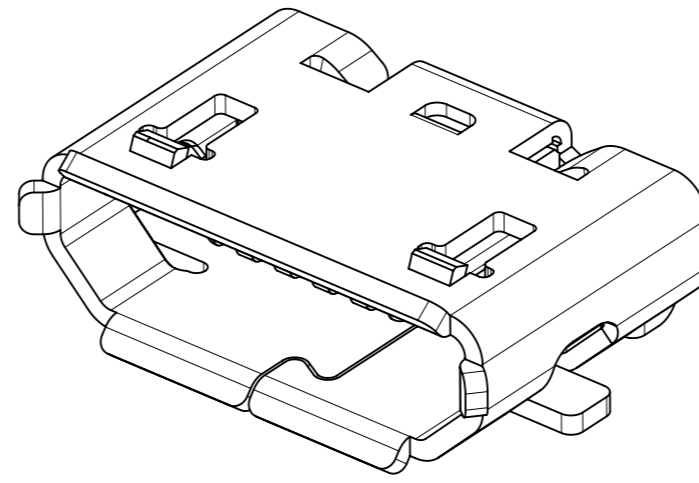
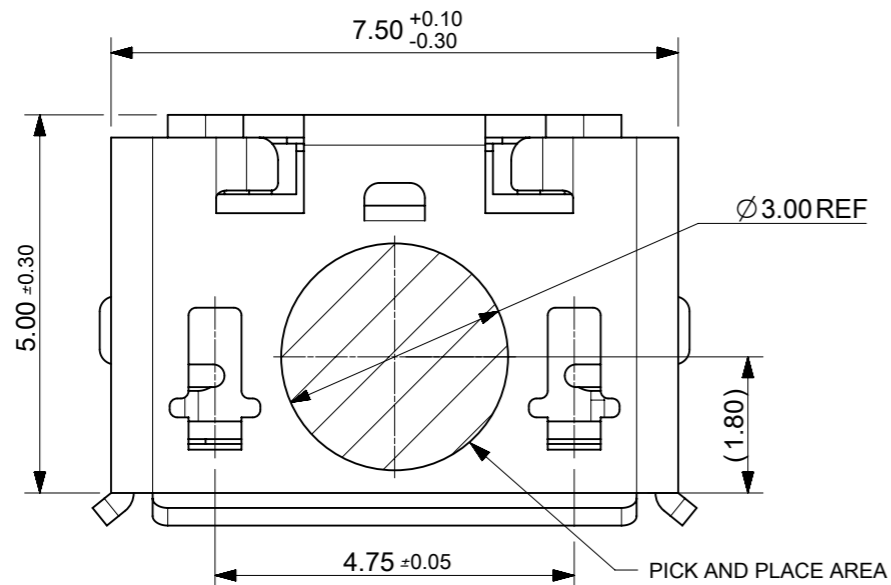
物理

回路数 (已载入)	5
电路数 (最多)	5
颜色-树脂	黑色
耐用性(插拔次数) - 最多次数	10000
阻燃性	94V-0
性别	女
插接极性	是
锁定插接部位	否
材料 - 金属	Copper Alloy
材料 - 接合部位电镀	金牌
材料 - 终端电镀	金牌
材料 - 树脂	High Temperature Thermoplastic
安装方式	Bottom-Mount
净重	0.247/g
行数	1
方向	Right Angle
包装形式	Embossed Tape on Reel
面板安装式	否
PCB 保持力	无
间距 - 插配接口	0.65mm
间距 - 终端界面	0.65mm
有极性的插配件	是
端口	1
运行温度范围	-30° to +85° C
终端界面类型	Surface Mount
防水/防尘	否

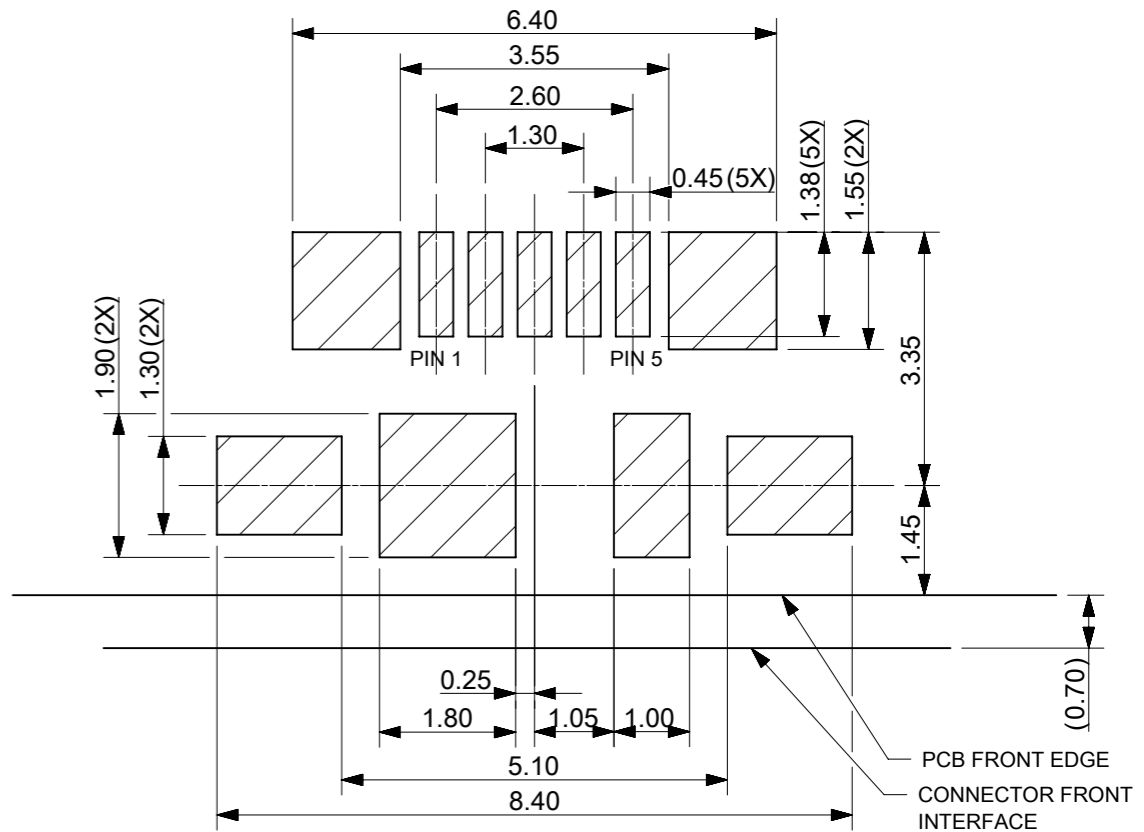
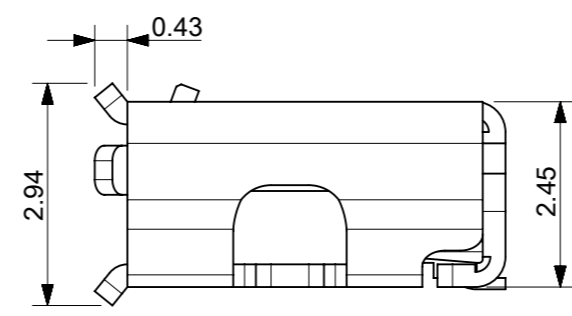
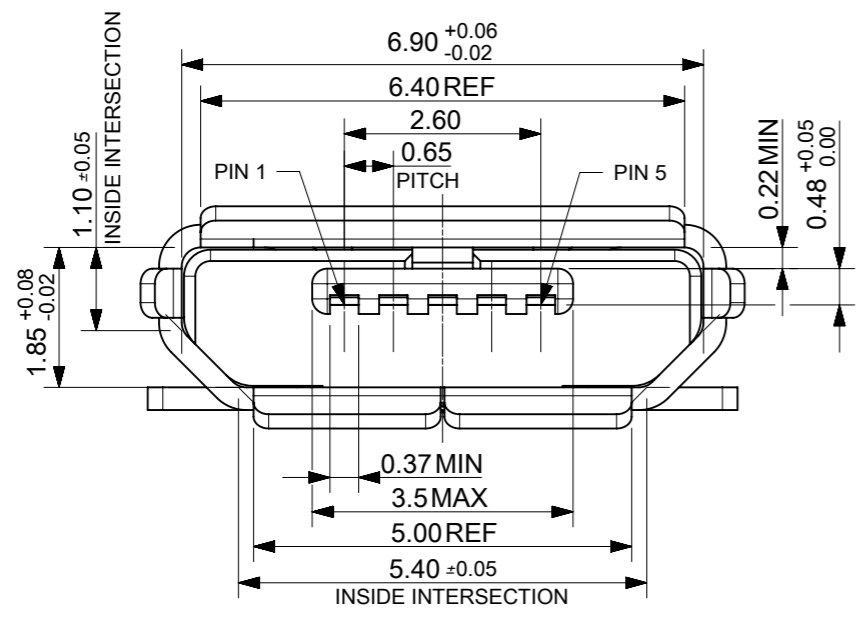
进程

最长持续时间	10
无铅	REFLOW
最大周期	1
最高温度	260

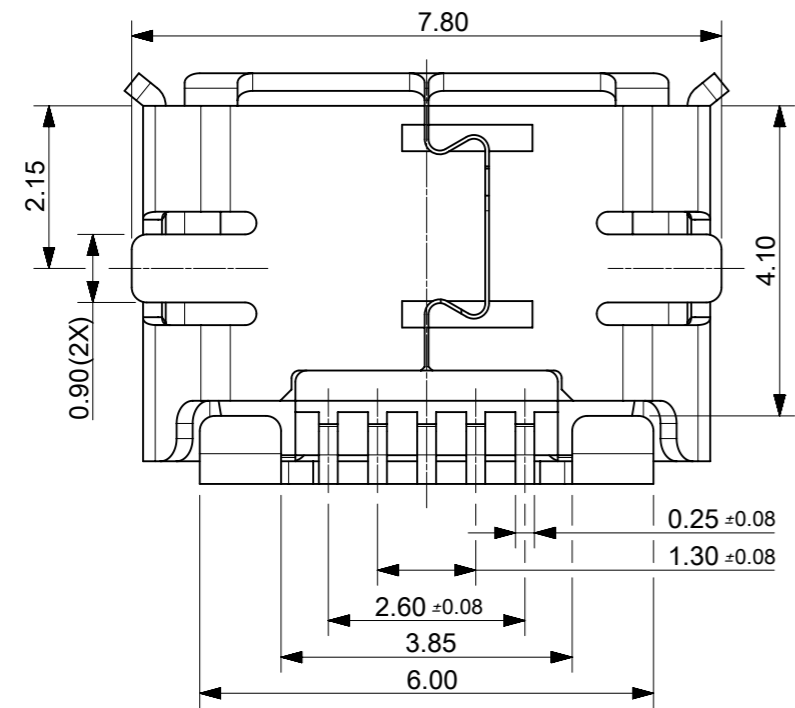
This document was generated on Jan 02, 2024



- NOTES:
- MATERIAL:
HOUSING: LCP, BLACK, UL94V-0;
TERMINAL: COPPER ALLOY, THICKNESS: 0.15mm;
SHELL: STAINLESS STEEL, THICKNESS: 0.30mm.
 - PLATING:
TERMINAL:
CONTACT AREA: GOLD FLASH OVER MINIMUM 0.75MICRON Pd/Ni;
SOLDER TAIL AREA: GOLD FLASH;
UNDER PLATING: NICKEL 2.0MICRON MINIMUM.
SHELL:
MATTE TIN 3.8MICRON MINIMUM;
UNDER PLATING: NICKEL 1.27MICRON MINIMUM.
 - TAIL & NAIL COPLANARITY 0.08mm MAXIMUM.
 - PRODUCT SPECIFICATION: PS-47346-001.
 - PACKAGE SPECIFICATION: PK-47346-001.
 - COMPLIANT TO RoHS DIRECTIVE 2011/65/EU AND ELV 2000/53/EC.



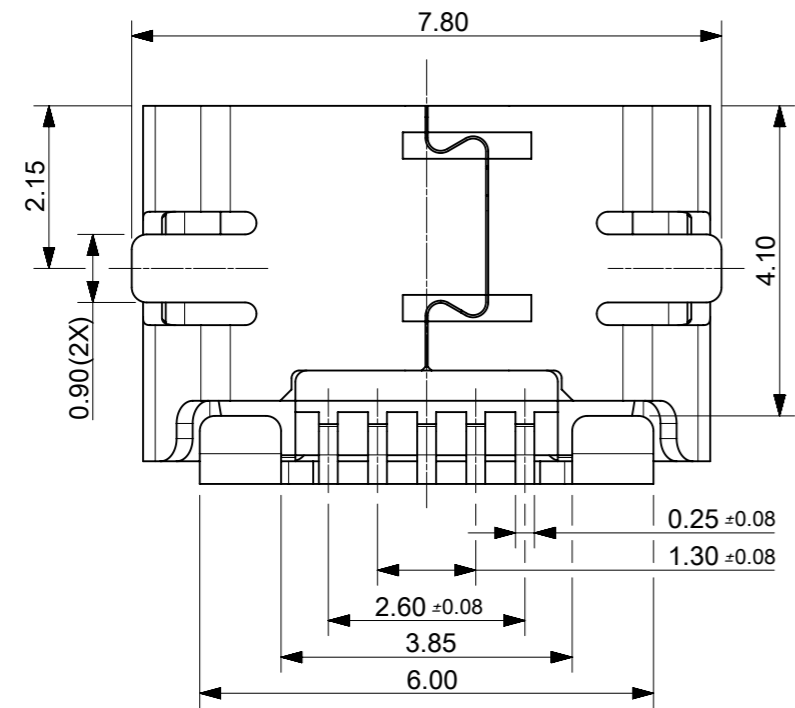
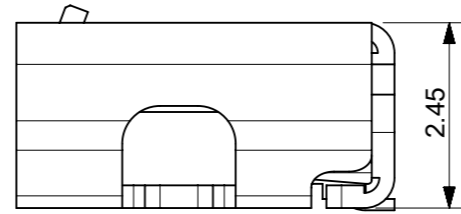
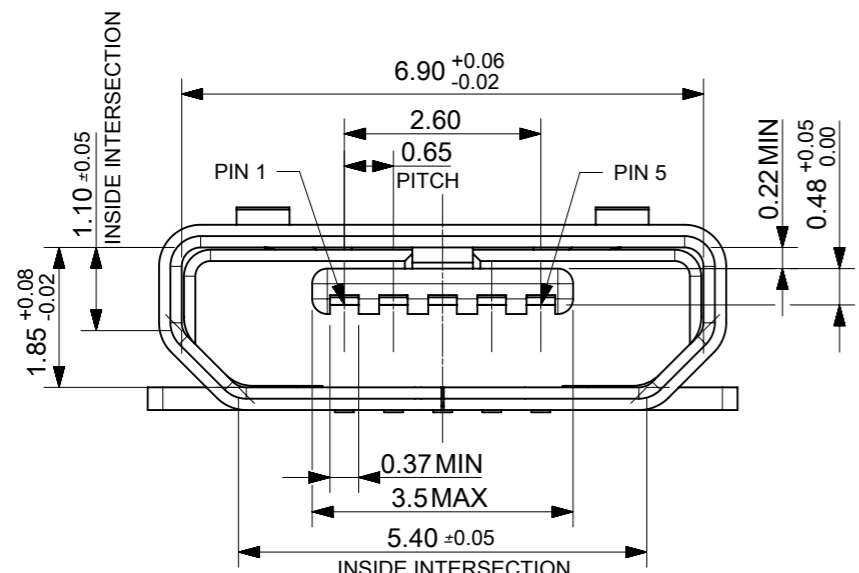
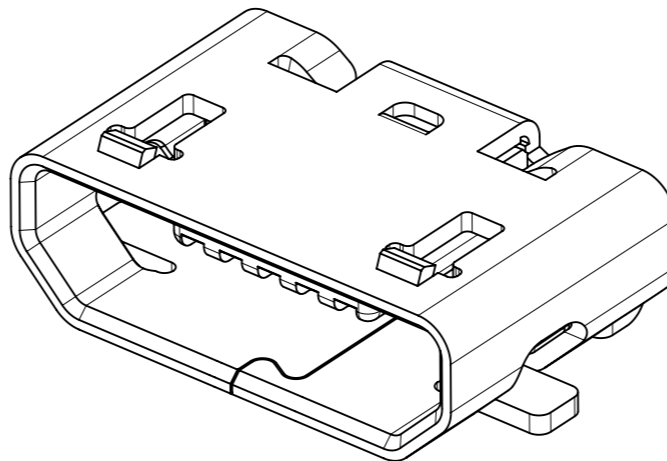
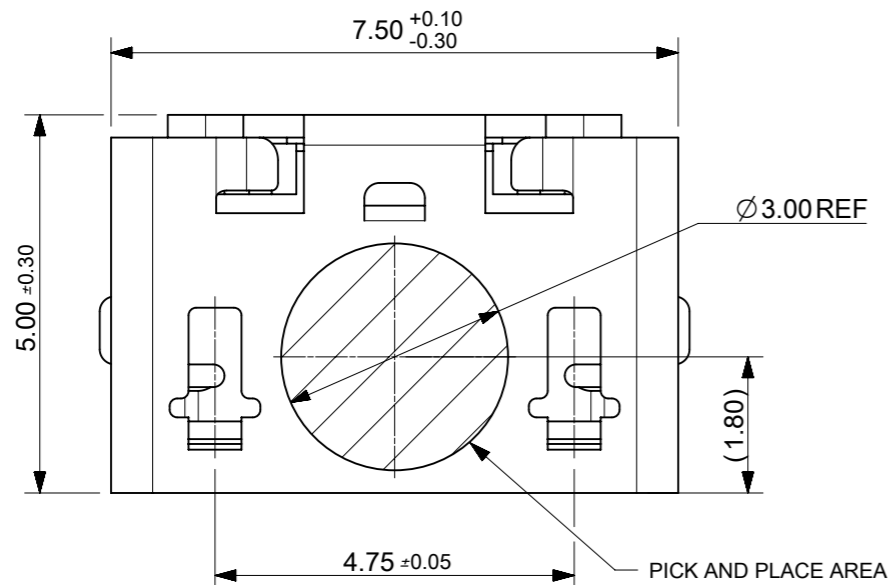
5	GND
4	ID
3	D+
2	D-
1	VBUS
PIN	NAME
PIN ASSIGNMENT	



47346-0001	WITH FLANGE
PART NUMBER	DESCRIPTION

RECOMMENDED P.C.B. PATTERN LAYOUT
GENERAL TOLERANCE: ±0.05

THIS DRAWING CONTAINS INFORMATION THAT IS PROPRIETARY TO MOLEX ELECTRONIC TECHNOLOGIES, LLC AND SHOULD NOT BE USED WITHOUT WRITTEN PERMISSION											
DIMENSION UNITS: mm		SCALE: NTS		CURRENT REV DESC: REVISED PCB LAYOUT				molex		MICRO USB B REC. BOTTOM MOUNT ASS'Y	
GENERAL TOLERANCES (UNLESS SPECIFIED)		ANGULAR TOL ± 3.0°		EC NO: 605691							
4 PLACES ±		3 PLACES ±		DRWN: XQZHANG		2018/10/09		PRODUCT CUSTOMER DRAWING		DOCUMENT NUMBER	
2 PLACES ± 0.25		1 PLACE ± 0.25		CHK'D: AYIN		2019/01/30		SD-47346-001		DOC TYPE DOC PART REVISION	
0 PLACES ±		INITIAL REVISION:		APPR: AYIN		2019/01/30		GENERAL MARKET		SHEET NUMBER	
DRAFT WHERE APPLICABLE MUST REMAIN WITHIN DIMENSIONS		THIRD ANGLE PROJECTION		DRAWING: A3-SIZE		SERIES: 47346		SEE TABLE		1 OF 2	



5	GND
4	ID
3	D+
2	D-
1	VBUS
PIN	NAME
PIN ASSIGNMENT	

47346-1001	FLANGELESS TYPE
PART NUMBER	DESCRIPTION

THIS DRAWING CONTAINS INFORMATION THAT IS PROPRIETARY TO MOLEX ELECTRONIC TECHNOLOGIES, LLC AND SHOULD NOT BE USED WITHOUT WRITTEN PERMISSION			
DIMENSION UNITS	SCALE	CURRENT REV DESC: REVISED PCB LAYOUT	
mm	NTS		
GENERAL TOLERANCES (UNLESS SPECIFIED)			
ANGULAR TOL	± 3.0 °		
4 PLACES	±	EC NO: 605691	
3 PLACES	±	DRWN: XQZHANG	2018/10/09
2 PLACES	± 0.25	CHK'D: AYIN	2019/01/30
1 PLACE	± 0.25	APPR: AYIN	2019/01/30
0 PLACES	±	INITIAL REVISION:	
DRAFT WHERE APPLICABLE MUST REMAIN WITHIN DIMENSIONS		DRWN: XJSONG	2006/12/11
THIRD ANGLE PROJECTION		APPR: JNCHEN	2007/04/27
DRAWING	SERIES	MATERIAL NUMBER	CUSTOMER
A3-SIZE	47346	SEE TABLE	GENERAL MARKET
DOCUMENT NUMBER		DOC TYPE	DOC PART
SD-47346-001		PSD	001
SHEET NUMBER		REVISION	
2 OF 2		E	