



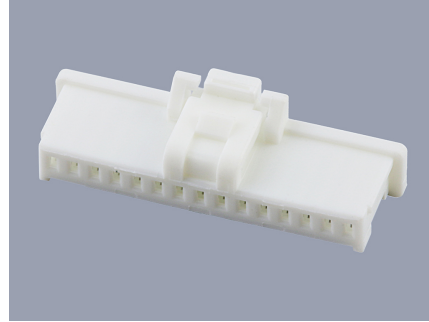
产品编号 : [5013301300](#)

Product Description : 1.00mm Pitch, Pico-Clasp Low-Halogen Receptacle Crimp Housing, Single Row, Inner Positive Lock, 13 Circuits, White

系列号 : 501330

状态 : Active

Product Category : Connector Housings



文件和资源

图纸

[图纸 5013301300_sd.pdf](#)

3D 模型和设计文件

[2D 图纸 DXF 5013301300.dxf](#)

[2D 图纸 DXF PDF 5013301300.pdf](#)

[3D模型 5013301300_stp.zip](#)

规格

[应用规格 5013300000-AS-000.pdf](#)

[应用规格 5013300000-AS-001.pdf](#)

[包装规格 SPK-501330-001-001.pdf](#)

[产品规格 5013300000-PS-001.pdf](#)

[产品规格 5013300000-PS-002.pdf](#)

[产品规格 5013300000-PS-003.pdf](#)

[产品规格 5013300000-PS-004.pdf](#)

[产品规格 5013301000-PS-001.pdf](#)

[产品规格 5013301000-PS-002.pdf](#)

产物环境合规

合规

GADSL/IMDS	Not Relevant
China RoHS	
EU ELV	Compliant per 2000/53/EC
Low-Halogen Status	Low-Halogen per IEC 61249-2-21
REACH SVHC	Not Contained per D(2023)3788-DC (14 Jun 2023)
EU RoHS	Compliant per EU 2015/863

多部分产品合规性声明

- Eu RoHS
- REACH SVHC
- Low-Halogen

多部分行业合规性文件

- IPC 1752A Class C
- IPC 1752A Class D
- Molex Product Compliance Declaration
- IEC-62474
- chemSHERPA (xml)

欧盟 RoHS 合格证书

产品详情

常规

状态	活动
类别	Connector Housings
系列	501330
说明	1.00mm Pitch, Pico-Clasp Low-Halogen Receptacle Crimp Housing, Single Row, Inner Positive Lock, 13 Circuits, White
应用	Signal, Wire-to-Board
产品系列	Pico-Clasp Wire-to-Board Connectors
产品名称	Pico-Clasp
UPC	822348529520

机构

UL	E29179
----	--------

物理

电路数 (最多)	13
颜色-树脂	白色
性别	Receptacle
符合灼热丝规范	否
插接极性	无
锁定插接部位	是

材料 - 树脂	Nylon
净重	106.300/mg
行数	1
包装形式	Bag
面板安装式	否
间距 - 插配接口	1.00mm
间距 - 终端界面	1.00mm
有极性的插配件	是
可堆叠的	否
运行温度范围	-40° to +105° C

可配插/可连接使用的产品

可配插部件

描述	产品编号
Pico-Clasp Vertical, Single Row, Surface Mount Headers	<u>203556</u>
Pico-Clasp Vertical, Single Row, Surface Mount Headers	<u>203557</u>
Pico-Clasp Vertical Single Row Headers	<u>501331</u>
Pico-Clasp Vertical Single Row Headers	<u>504449</u>
Pico-Clasp Right-Angle, Single Row, Surface Mount Headers	<u>202396</u>
Pico-Clasp Right-Angle, Single Row, Surface Mount Headers	<u>203558</u>
Pico-Clasp Right-Angle, Single Row, Surface Mount Headers	<u>203559</u>
Pico-Clasp Right-Angle Single Row Headers	<u>501568</u>
Pico-Clasp Vertical, Single Row, Surface Mount, Low-Halogen Headers	<u>208381</u>
Pico-Clasp Right-Angle, Single Row, Surface Mount, Low-Halogen Headers	<u>208387</u>

可连接使用部件

描述	产品编号
----	------

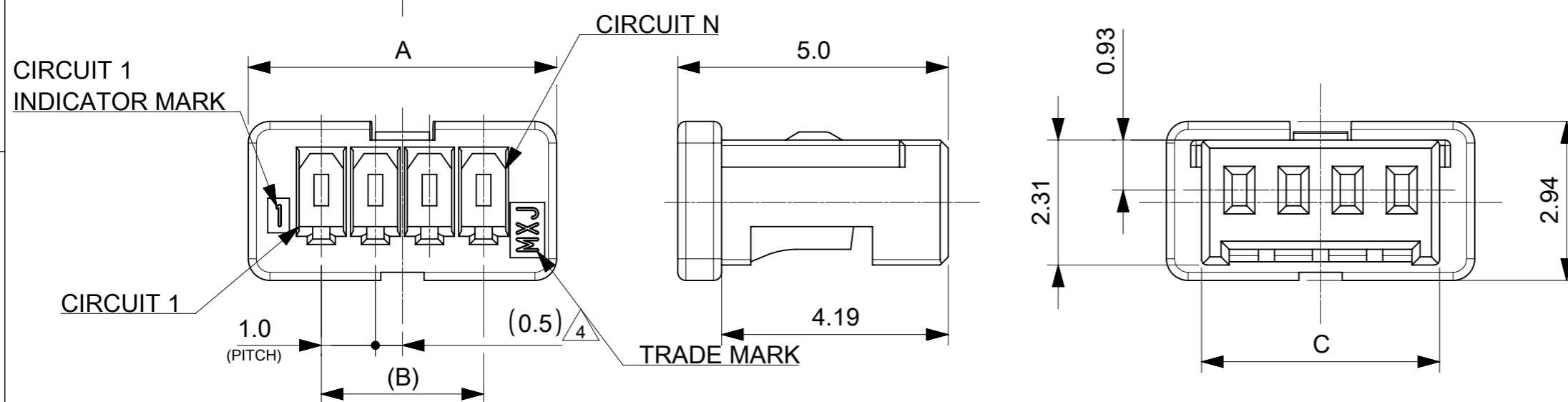
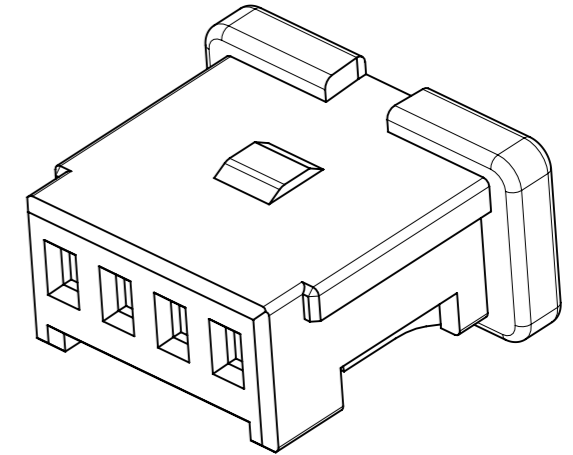
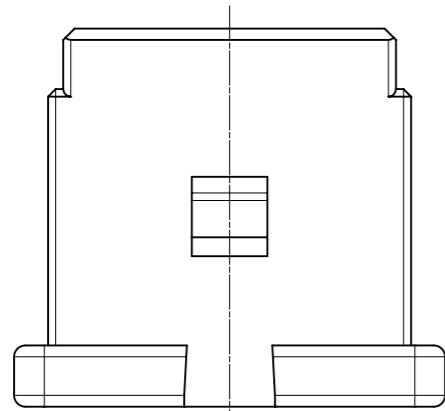
Pico-Clasp Female Crimp Terminals	<u>501193</u>
Pico-Clasp Female Crimp Terminals	<u>501334</u>

施工工具

全局

描述	产品编号
Extraction Tool for Pico-Clasp Wire-to-Board Terminals, 28-32 AWG	<u>0638131700</u>

This document was generated on Jan 02, 2024



NOTES

1. 本製品は極数によって、ロック形状が変わりますので御注意願います。
THE LOCK SHAPE OF THIS PRODUCT CHANGES ACCORDING TO THE NUMBER OF CIRCUIT.
2~5 CIRCUITS : フリクションロック FRICTION LOCK
6~15 CIRCUITS : インナーポジティブロック INNER POSITIVE LOCK
2. 材料 : TABLE 1,3 参照
MATERIAL : SEE TABLE 1 AND 3
3. 本製品の適合嵌合相手及び各種仕様書はSHEET 3, 4を御参照ください。
REFER TO SHEET 3 AND 4 FOR APPLICABLE PRODUCTS AND VARIOUS SPECIFICATIONS .
4. 偶数極に適用
APPLY FOR EVEN CIRCUIT
5. 発注番号 : TABLE 2,4 参照
ORDER No. : SEE TABLE 2 AND 4

CAV No.
& MOLD No.

501330 - ** **

極数 CIRCUIT SIZE	ハウジングカラー HOUSING COLOR
	00:NATURAL(WHITE)
	31:BLACK

TABLE 2

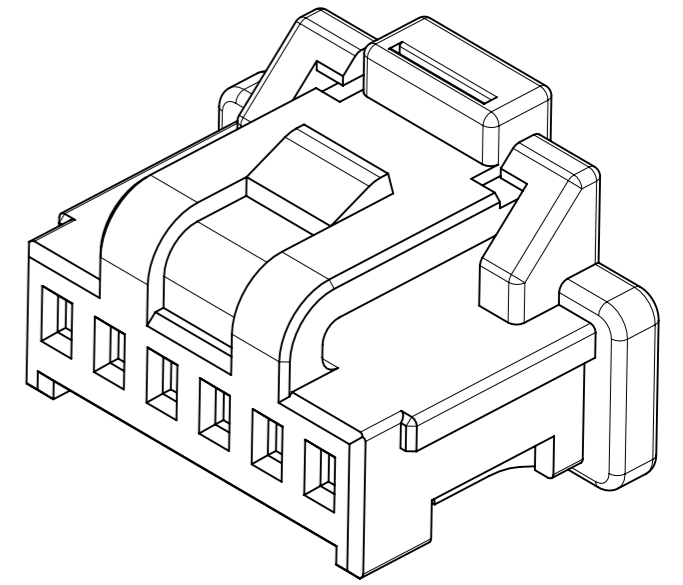
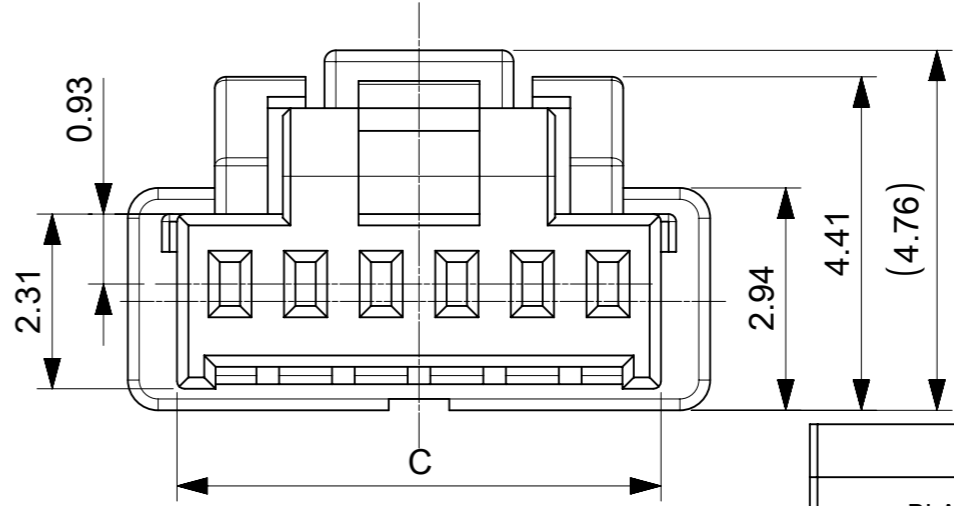
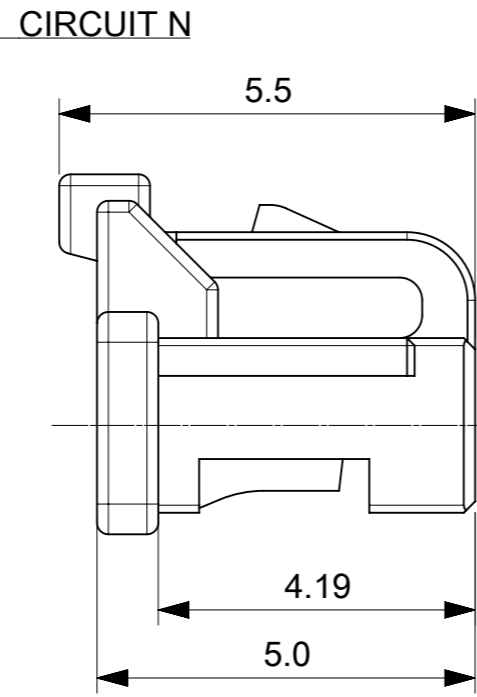
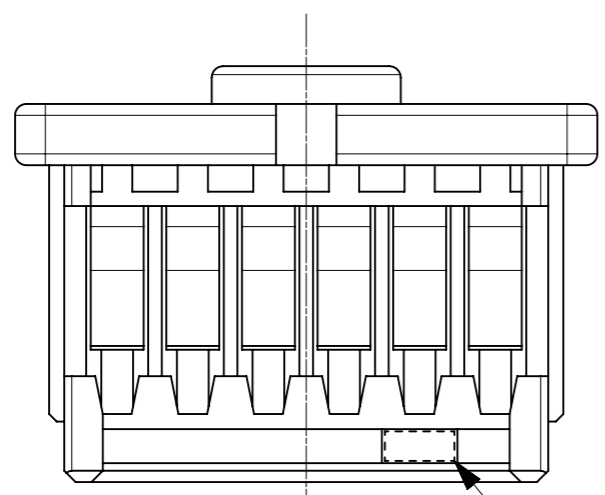
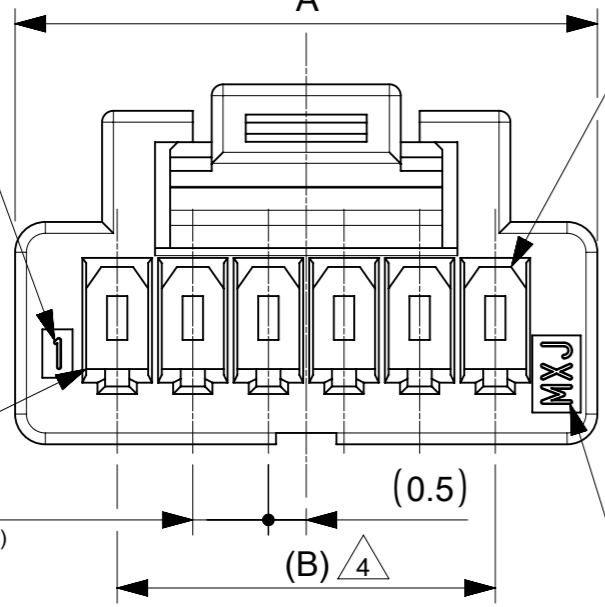
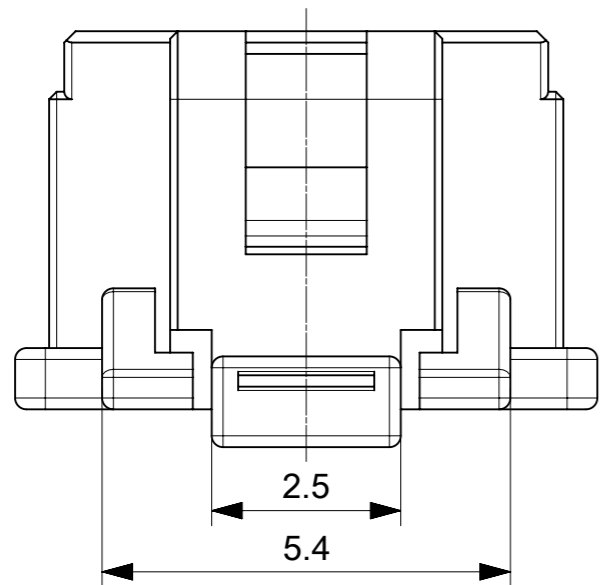
			HOUSING COLOR		
			BLACK	NATURAL (WHITE)	
5.4	4.0	6.7	501330 0531	501330 0500	5
4.4	3.0	5.7	501330 0431	501330 0400	4
3.4	2.0	4.7	501330 0331	501330 0300	3
2.4	1.0	3.7	501330 0231	501330 0200	2
C	B	A	発注番号 ORDER No.		極数 CIRCUIT SIZE
極数別 寸法 DIMENSION			梱包形態 : ポリ袋 PACKAGE:POLYBAG		

TABLE 1

部品 PART	材質 MATERIAL
ハウジング HOUSING	ポリアミド(PA), UL94V-0, 色 : SEE TABLE 2 POLYAMIDE(PA), UL94V-0, COLOR : SEE TABLE 2
DOCUMENT STATUS	P1 RELEASE DATE 2021/04/06 10:46:35

THIS DRAWING CONTAINS INFORMATION THAT IS PROPRIETARY TO MOLEX ELECTRONIC TECHNOLOGIES, LLC AND SHOULD NOT BE USED WITHOUT WRITTEN PERMISSION

DIMENSION UNITS	SCALE	CURRENT REV DESC: REVISED	molex		
mm	NTS				
GENERAL TOLERANCES (UNLESS SPECIFIED)			PICO-CLASP 1.0 WTB SINGLE ROW REC HSG INNER AND FRICTION LOCK		
ANGULAR TOL	± 3.0 °	EC NO: 658660	PRODUCT CUSTOMER DRAWING		
4 PLACES	± 0.2	DRWN: MIKEDA01 2021/04/06	DOCUMENT NUMBER		
3 PLACES	± 0.2	CHK'D: SAKIYAMA 2021/04/06	DOC TYPE DOC PART REVISION		
2 PLACES	± 0.2	APPR: KOMURAKAMI 2021/04/06	5013300000-SD PSD 000 D		
1 PLACE	± 0.2	INITIAL REVISION:	MATERIAL NUMBER		
0 PLACES	± 0.2	DRWN: AISHIKAWA 2019/03/12	CUSTOMER		
DRAFT WHERE APPLICABLE MUST REMAIN WITHIN DIMENSIONS			SHEET NUMBER		
THIRD ANGLE PROJECTION			A3-SIZE 501330 501330**** GENERAL 1 OF 4		



CIRCUIT 1 INDICATOR MARK

CIRCUIT 1

CIRCUIT N

TRADE MARK

CAV No. & MOLD No.

TABLE 4

			HOUSING COLOR		
			BLACK	NATURAL (WHITE)	
15.4	14.0	16.7	501330 1531	501330 1500	15
14.4	13.0	15.7	501330 1431	501330 1400	14
13.4	12.0	14.7	501330 1331	501330 1300	13
12.4	11.0	13.7	501330 1231	501330 1200	12
11.4	10.0	12.7	501330 1131	501330 1100	11
10.4	9.0	11.7	501330 1031	501330 1000	10
9.4	8.0	10.7	501330 0931	501330 0900	9
8.4	7.0	9.7	501330 0831	501330 0800	8
7.4	6.0	8.7	501330 0731	501330 0700	7
6.4	5.0	7.7	501330 0631	501330 0600	6
C	B	A	発注番号 ORDER No.		極数 CIRCUIT SIZE
極数別 寸法 DIMENSION			梱包形態 : ポリ袋 PACKAGE:POLYBAG		

TABLE 3

部品 PART	材質 MATERIAL
ハウジング HOUSING	ポリアミド(PA), UL94V-0, 色 : SEE TABLE 4 POLYAMIDE(PA), UL94V-0, COLOR : SEE TABLE 4
DOCUMENT STATUS	P1 RELEASE DATE 2021/04/06 10:46:35

THIS DRAWING CONTAINS INFORMATION THAT IS PROPRIETARY TO MOLEX ELECTRONIC TECHNOLOGIES, LLC AND SHOULD NOT BE USED WITHOUT WRITTEN PERMISSION

DIMENSION UNITS	SCALE	CURRENT REV DESC: REVISED	molex		
mm	NTS				
GENERAL TOLERANCES (UNLESS SPECIFIED)			PICO-CLASP 1.0 WTB SINGLE ROW REC HSG INNER AND FRICTION LOCK		
ANGULAR TOL	± 3.0 °	EC NO: 658660	PRODUCT CUSTOMER DRAWING		
4 PLACES	± 0.2	DRWN: MIKEDA01 2021/04/06	DOCUMENT NUMBER		
3 PLACES	± 0.2	CHK'D: SAKIYAMA 2021/04/06	DOC TYPE		
2 PLACES	± 0.2	APPR: KOMURAKAMI 2021/04/06	DOC PART		
1 PLACE	± 0.2	INITIAL REVISION:	REVISION		
0 PLACES	± 0.2	DRWN: AISHIKAWA 2019/03/12	5013300000-SD		
		APPR: KOMURAKAMI 2019/04/05	PSD 000 D		
DRAFT WHERE APPLICABLE MUST REMAIN WITHIN DIMENSIONS	THIRD ANGLE PROJECTION	DRAWING	SERIES	MATERIAL NUMBER	CUSTOMER
		A3-SIZE	501330	501330****	GENERAL
					SHEET NUMBER
					2 OF 4

3 適合製品及び各種仕様書 (標準仕様)

APPLICABLE PRODUCTS AND VARIOUS SPECIFICATIONS (STANDARD TYPE)

梱包仕様書 PACKING SPECIFICATION	SPECIFICATION NUMBER SPK-501330-001
--------------------------------	--

適合圧着端子 APPLICABLE CRIMP TERMINAL	PART NUMBER	PLATING TYPE		WIRE SIZE(AWG) #28 - #32
	501334 0000	TIN (THICKNESS) [MICRO-METER MIN]	1.0	
501193 7000	GOLD (THICKNESS) [MICRO-METER MIN]	FLASH		
501193 8000			0.38	
501193 9000			0.76	

列 ROW	SINGLE							
	SMT				SMT			
適合嵌合相手 MATE WITH	VERTICAL	RIGHT ANGLE	VERTICAL			RIGHT ANGLE		
	TIN (THICKNESS) [MICRO-METER MIN]	TIN (THICKNESS) [MICRO-METER MIN]	GOLD (THICKNESS) [MICRO-METER MIN]			GOLD (THICKNESS) [MICRO-METER MIN]		
		1.0	1.0	0.1	0.38	0.76	0.1	0.38
シリーズ番号 SERIES No.	501331	501568	504449	203556	203557	202396	203558	203559
製品仕様書 PRODUCT SPECIFICATION	5013300000-PS 001				5013300000-PS 002			
取扱説明書 APPLICATION SPECIFICATION	5013300000-AS 000							

※製品嵌合図は各"適合嵌合相手"図面参照のこと
MATING VIEW:REFER TO EACH "MATE WITH" PART DRAWING.

THIS DRAWING CONTAINS INFORMATION THAT IS PROPRIETARY TO MOLEX ELECTRONIC TECHNOLOGIES, LLC AND SHOULD NOT BE USED WITHOUT WRITTEN PERMISSION									
DIMENSION UNITS mm	SCALE NTS	CURRENT REV DESC: REVISED				molex			
GENERAL TOLERANCES (UNLESS SPECIFIED)		EC NO: 658660							
ANGULAR TOL	± 3.0 °	DRWN: MIKEDA01 2021/04/06				PICO-CLASP 1.0 WTB SINGLE ROW REC HSG INNER AND FRICTION LOCK			
4 PLACES	± 0.2	CHK'D: SAKIYAMA 2021/04/06				PRODUCT CUSTOMER DRAWING			
3 PLACES	± 0.2	APPR: KOMURAKAMI 2021/04/06				DOCUMENT NUMBER			
2 PLACES	± 0.2	INITIAL REVISION:				5013300000-SD			
1 PLACE	± 0.2	DRWN: AISHIKAWA 2019/03/12				DOC TYPE			
0 PLACES	± 0.2	APPR: KOMURAKAMI 2019/04/05				PSD			
DRAFT WHERE APPLICABLE MUST REMAIN WITHIN DIMENSIONS		THIRD ANGLE PROJECTION	DRAWING	SERIES	MATERIAL NUMBER	CUSTOMER	DOC PART	REVISION	SHEET NUMBER
			A3-SIZE	501330	501330****	GENERAL	000	D	3 OF 4

△ 3 適合製品及び各種仕様書 (ローハロゲン仕様)

APPLICABLE PRODUCTS AND VARIOUS SPECIFICATIONS (LOW HALOGEN TYPE)

列 ROW	SINGLE							
	SMT				SMT			
適合嵌合相手 MATE WITH	VERTICAL	RIGHT ANGLE	VERTICAL			RIGHT ANGLE		
	TIN (THICKNESS) [MICRO-METER MIN]	TIN (THICKNESS) [MICRO-METER MIN]	GOLD (THICKNESS) [MICRO-METER MIN]			GOLD (THICKNESS) [MICRO-METER MIN]		
	1.0	1.0	0.1	0.38	0.76	0.1	0.38	0.76
シリーズ番号 SERIES No.	208381 ***9	208387 ***9	208381 ***7	208381 ***5	208381 ***3	208387 ***7	208387 ***5	208387 ***3
製品仕様書 PRODUCT SPECIFICATION	5013300000-PS 003				5013300000-PS 004			
取扱説明書 APPLICATION SPECIFICATION	5013300000-AS 001							

※製品嵌合図は各"適合嵌合相手"図面参照のこと
 MATING VIEW:REFER TO EACH "MATE WITH" PART DRAWING.
 ※適合圧着端子は標準仕様と共通になります
 THE APPLICABLE CRIMP TERMINAL ARE THE SAME THE STANDARD.

THIS DRAWING CONTAINS INFORMATION THAT IS PROPRIETARY TO MOLEX ELECTRONIC TECHNOLOGIES, LLC AND SHOULD NOT BE USED WITHOUT WRITTEN PERMISSION										
DIMENSION UNITS	SCALE	CURRENT REV DESC: REVISED					molex			
mm	NTS									
GENERAL TOLERANCES (UNLESS SPECIFIED)							PICO-CLASP 1.0 WTB SINGLE ROW REC HSG INNER AND FRICTION LOCK			
ANGULAR TOL	± 3.0 °						PRODUCT CUSTOMER DRAWING			
4 PLACES	± 0.2	EC NO: 658660				DOCUMENT NUMBER				
3 PLACES	± 0.2	DRWN: MIKEDA01	2021/04/06			5013300000-SD				
2 PLACES	± 0.2	CHK'D: SAKIYAMA	2021/04/06			DOC TYPE	DOC PART	REVISION		
1 PLACE	± 0.2	APPR: KOMURAKAMI	2021/04/06			PSD	000	D		
0 PLACES	± 0.2	INITIAL REVISION:								
		DRWN: AISHIKAWA	2019/03/12							
		APPR: KOMURAKAMI	2019/04/05							
DRAFT WHERE APPLICABLE MUST REMAIN WITHIN DIMENSIONS	THIRD ANGLE PROJECTION	DRAWING	SERIES	MATERIAL NUMBER	CUSTOMER	SHEET NUMBER				
		A3-SIZE	501330	501330****	GENERAL	4 OF 4				