



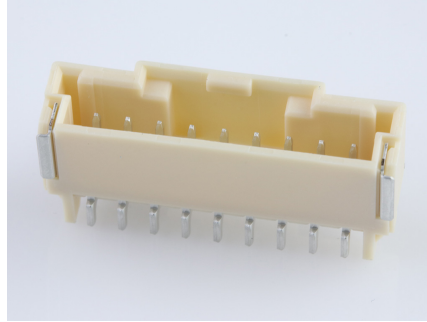
产品编号 : [5023520900](#)

Product Description : DuraClik Wire-to-Board Header, Single Row, Right-Angle, 9 Circuits, Tin (Sn) Plating, Natural

系列号 : 502352

状态 : Active

Product Category : PCB Headers and Receptacles



文件和资源

图纸

[图纸 5023520900_sd.pdf](#)

3D 模型和设计文件


[3D模型 5023520900_stp.zip](#)

规格

[产品规格 PS-502351-001-001.pdf](#)

产物环境合规

合规

GADSL/IMDS	Compliant with Exemption 44; 33
China RoHS	
EU ELV	Compliant per 2000/53/EC
Low-Halogen Status	Not Low-Halogen per IEC 61249-2-21
REACH SVHC	Not Contained per D(2023)3788-DC (14 Jun 2023)
EU RoHS	Compliant per EU 2015/863

多部分产品合规性声明

- Eu RoHS
- REACH SVHC
- Low-Halogen

多部分行业合规性文件

- IPC 1752A Class C
- IPC 1752A Class D

- Molex Product Compliance Declaration

- IEC-62474

- chemSHERPA (xml)

欧盟 RoHS 合格证书

产品详情

常规

状态	活动
类别	PCB Headers and Receptacles
系列	502352
说明	DuraClik Wire-to-Board Header, Single Row, Right-Angle, 9 Circuits, Tin (Sn) Plating, Natural
应用	Automotive, Signal, Wire-to-Board
个评论	The Operating Temperature Range when used with DuraClik series 502351 is -40° C to +105° C. It is -40° C to 125° C when used with DuraClik ISL series 560123 or TPA series 505151.
元件类型	PCB Header
产品系列	DuraClik Connector System
产品名称	DuraClik
UPC	887191654058

机构

UL	E29179
----	--------

电气

每触点最大电流	3.0A
电压 - 最大	125V

物理

断开	否
回路数 (已载入)	9
电路数 (最多)	9
颜色-树脂	Natural

耐用性(插拔次数) - 最多次数	30
先接后断	否
阻燃性	SC-0
符合灼热丝规范	否
插接极性	是
锁定插接部位	是
插配长度	6.40mm
材料 - 金属	Copper Alloy
材料 - 接合部位电镀	Tin
材料 - 树脂	Polyamide
净重	1.014/g
行数	1
方向	Right Angle
包装形式	Embossed Tape on Reel
PCB 定位器	否
PCB 保持力	是
间距 - 插配接口	2.00mm
有极性的插配件	是
PCB 极性	是
可堆叠的	否
运行温度范围	-40° to +105° C
终端界面类型	Surface Mount

进程

最长持续时间	40
无铅	REFLOW
最大周期	1
最高温度	255

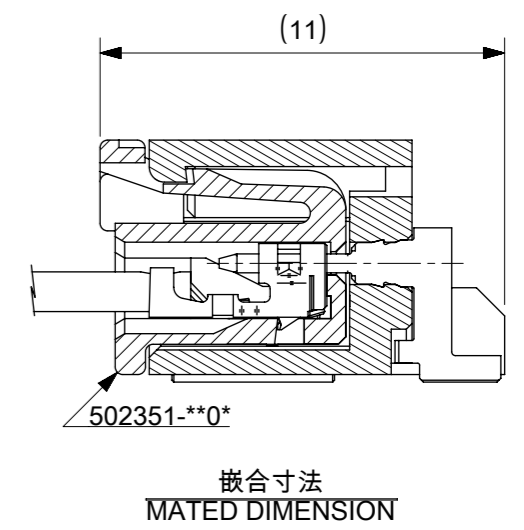
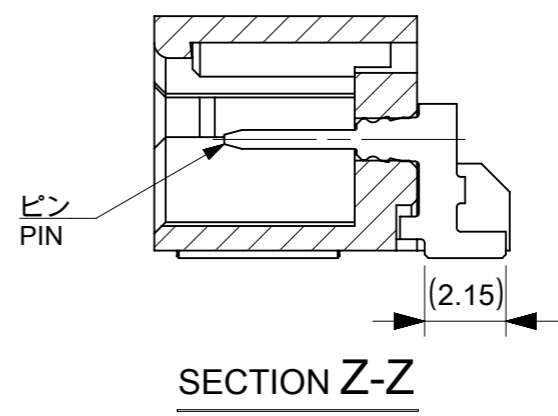
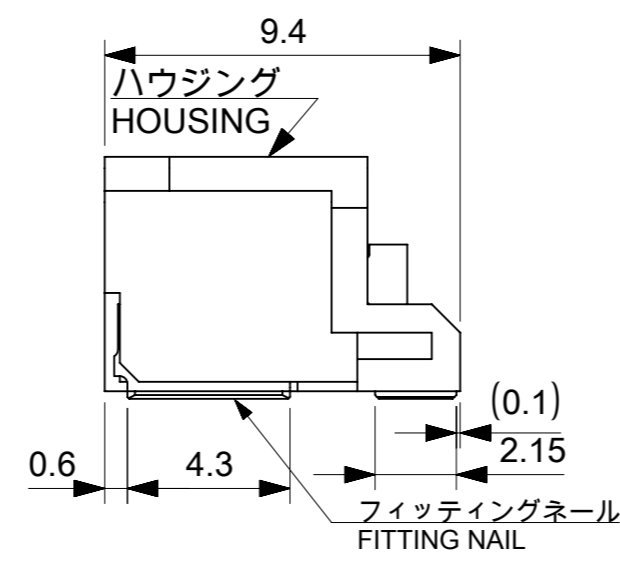
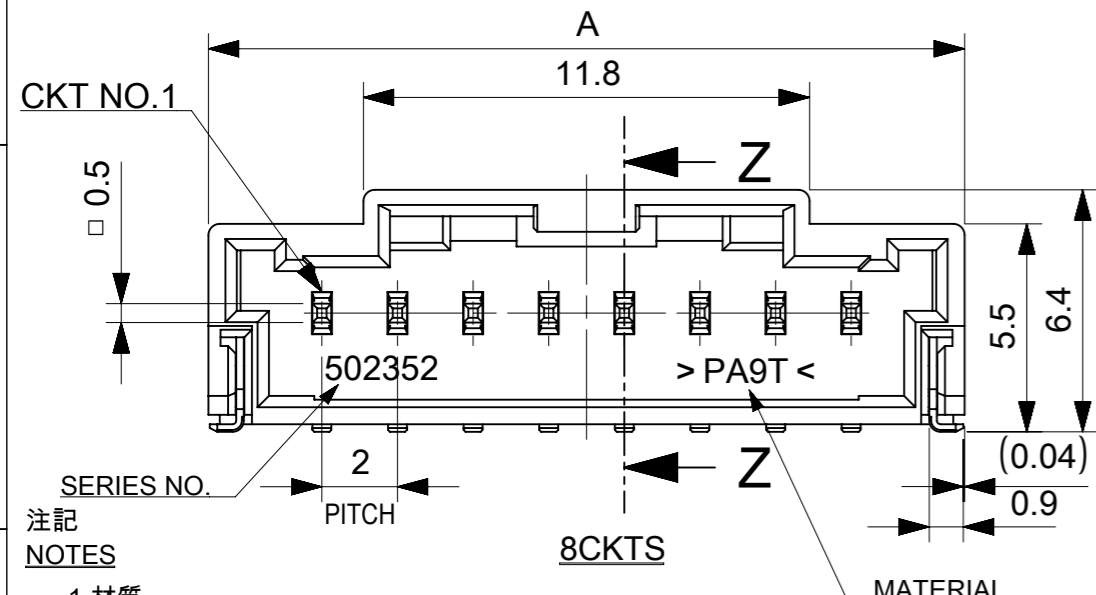
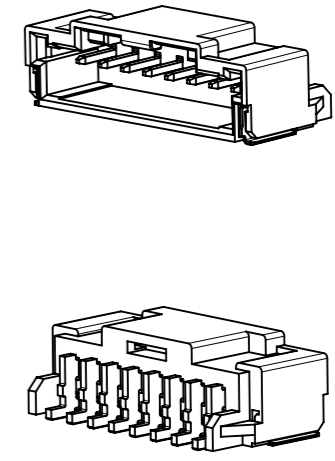
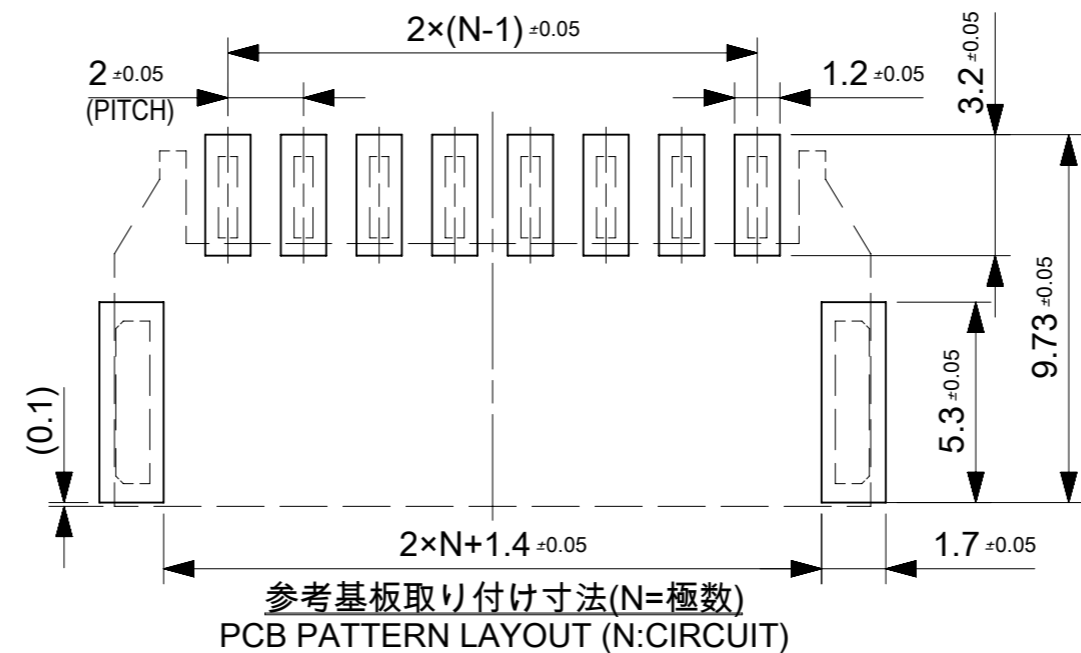
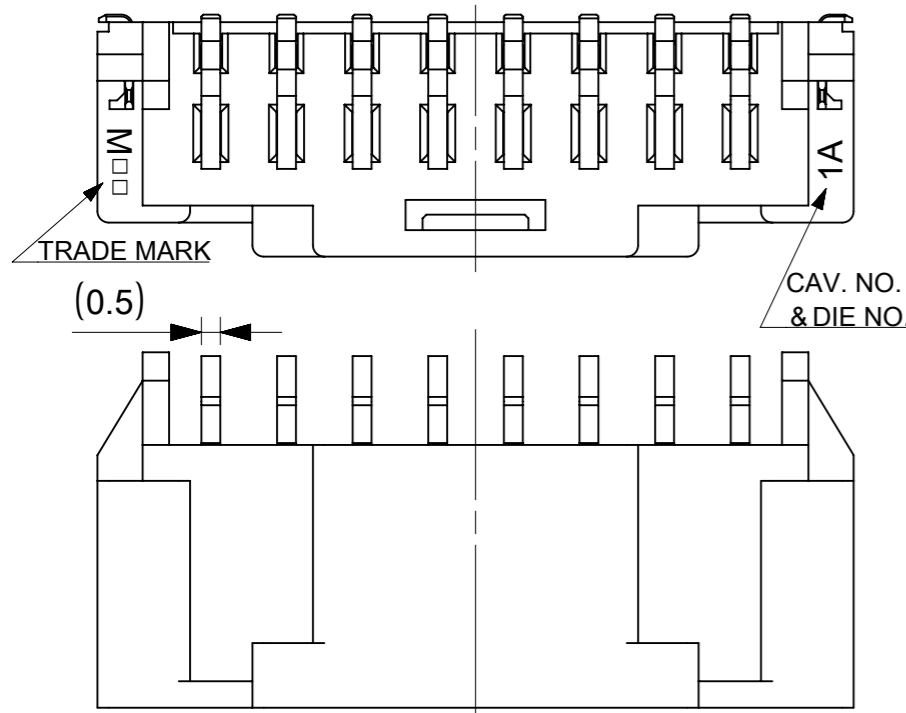
可配插/可连接使用的产品

可配插部件

描述	产品编号
DuraClik Single Row Receptacle Housings	<u>502351</u>

DuraClik TPA Single Row Receptacle Housings	<u>505151</u>
DuraClik ISL Single Row Receptacle Housings	<u>560123</u>

This document was generated on Jan 02, 2024

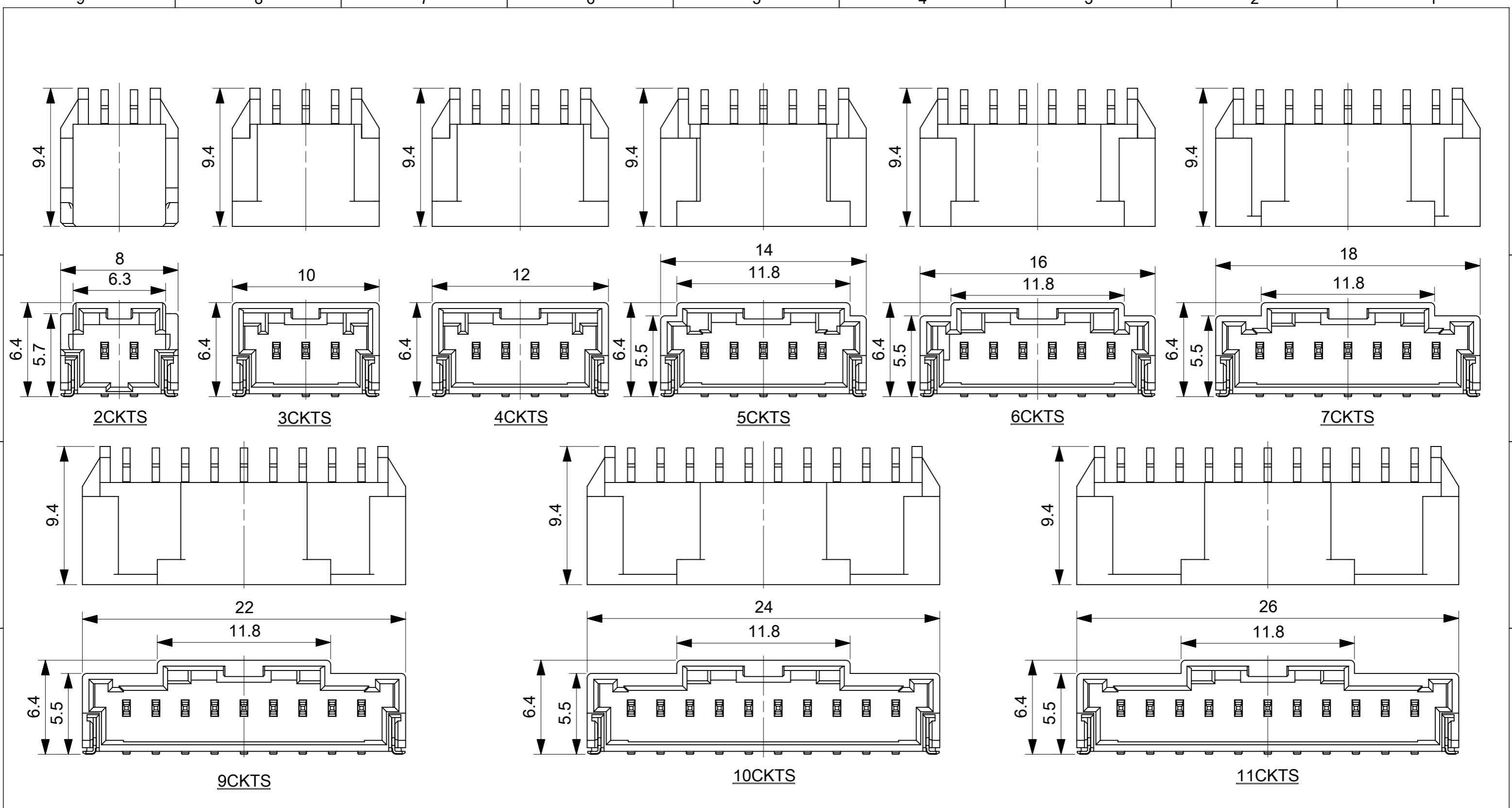


- 注記
NOTES
- 材質
ハウジング：耐熱性ナイロンUL94V-0
ピン：銅合金、ニッケル下地、錫メッキ、金メッキ
フィッティングネール：銅合金、ニッケル下地、錫メッキ
MATERIAL
HOUSING:POLYAMIDE UL94V-0
PIN: COPPER ALLOY, GOLD OR TIN OVER NICKEL PLATE.
FITTING NAIL: COPPER ALLOY, TIN OVER NICKEL PLATE.
 - 色：ナチュラル、黒、赤、青
COLOR:NATURAL, BLACK, RED, BLUE
 - 嵌合相手
ハウジング：502351-**0*
錫メッキ端子：50212-8*00,50372-8*00,560085-0101
金メッキ端子：56161-8*81
MATES WITH
HOUSING:502351-**0*
SN PLATING TERMINAL:50212-8*00,50372-8*00,560085-0101
AU PLATING TERMINAL:56161-8*81
 - エンボス梱包品の詳細はSD-502352-002参照
DETAILED TAPING PACKAGE, SEE SD-502352-002.
 - ELV及びRoHS適合
ELV AND RoHS COMPLIANT
 - 半田付け面のコプラナリティ：0.1mm MAX.
CO-PLANARITY OF SOLDERING TAILS TO BE 0.1mm MAX.

- 7.一般公差
GENERAL TOLERANCES
10 UNDER: ±0.2
10 OVER 30 UNDER: ±0.25
30 OVER: ±0.3
ANGULAR: ±3°

THIS DRAWING CONTAINS INFORMATION THAT IS PROPRIETARY TO MOLEX ELECTRONIC TECHNOLOGIES, LLC AND SHOULD NOT BE USED WITHOUT WRITTEN PERMISSION		CURRENT REV DESC:		molex	
DIMENSION UNITS	SCALE	EC NO: 628767			
mm	5:1	DRWN: MSATO08 2019/12/09		2.0MM PITCH W/B CONN. WAFER ASSY R/A SMT	
GENERAL TOLERANCES (UNLESS SPECIFIED)		CHK'D: HIJIMA 2019/12/10		PRODUCT CUSTOMER DRAWING	
ANGULAR TOL	±	APPR: TOSADA 2019/12/13		DOCUMENT NUMBER	
4 PLACES	±	INITIAL REVISION:		SD-502352-001	
3 PLACES	±	DRWN: SHSHIBATA 2008/01/23		DOC TYPE	
2 PLACES	±	APPR: AKANESHIGE 2008/04/23		PSD	
1 PLACE	±	DRWN: SHSHIBATA 2007/12/18		DOC PART	
0 PLACES	±	APPR: AKANESHIGE 2007/12/18		001	
DRAFT WHERE APPLICABLE MUST REMAIN WITHIN DIMENSIONS		THIRD ANGLE PROJECTION	DRAWING	SERIES	MATERIAL NUMBER
			A3-SIZE	502352	SEE CHART
		CUSTOMER	GENERAL MARKET		SHEET NUMBER
				1 OF 4	

DOCUMENT STATUS	P1	RELEASE DATE	2019/12/13	01:20:00
-----------------	----	--------------	------------	----------



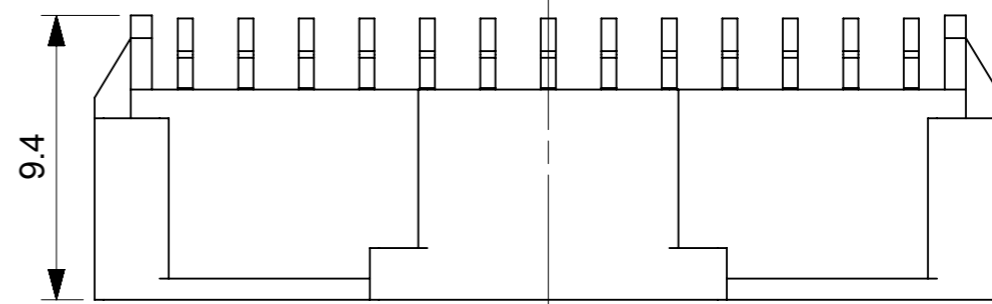
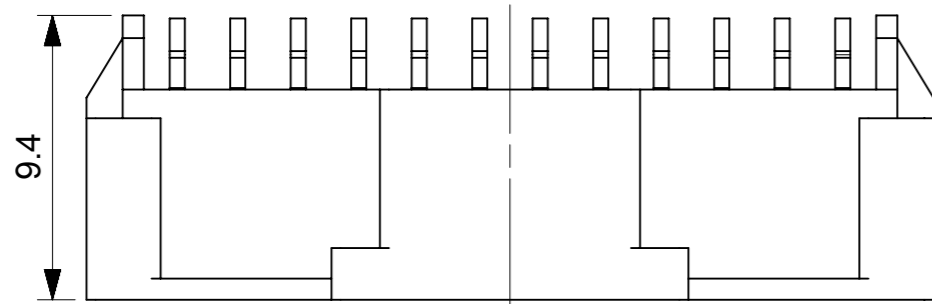
THIS DRAWING CONTAINS INFORMATION THAT IS PROPRIETARY TO MOLEX ELECTRONIC TECHNOLOGIES, LLC AND SHOULD NOT BE USED WITHOUT WRITTEN PERMISSION		CURRENT REV DESC:		molex	
DIMENSION UNITS	SCALE	EC NO: 628767			
mm	4:1	DRWN: MSATO08 2019/12/09		PRODUCT CUSTOMER DRAWING	
GENERAL TOLERANCES (UNLESS SPECIFIED)		CHK'D: HIJIMA 2019/12/10		DOCUMENT NUMBER	
ANGULAR TOL	±	APPR: TOSADA 2019/12/13		SD-502352-001	
4 PLACES	±	INITIAL REVISION:		DOC TYPE DOC PART REVISION	
3 PLACES	±	DRWN: SHSHIBATA 2008/01/23		PSD 001 L3	
2 PLACES	±	APPR: AKANESHIGE 2008/04/23		MATERIAL NUMBER	
1 PLACE	±	DRAFT WHERE APPLICABLE		CUSTOMER	
0 PLACES	±	THIRD ANGLE PROJECTION		GENERAL MARKET	
MUST REMAIN WITHIN DIMENSIONS		DRAWING	SERIES	SHEET NUMBER	
		A3-SIZE	502352	2 OF 4	

INITIAL REVISION:		
DRWN	SHSHIBATA	2007/12/18
CHECK	HKOMATSU	2007/12/18
APPR	AKANESHIGE	2007/12/18

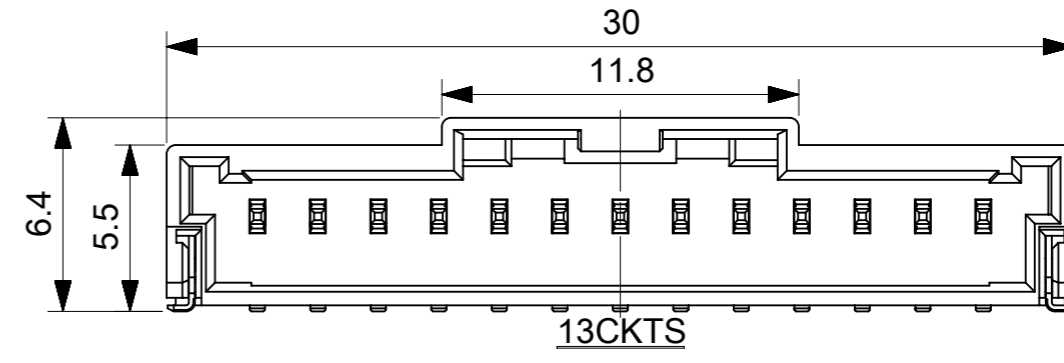
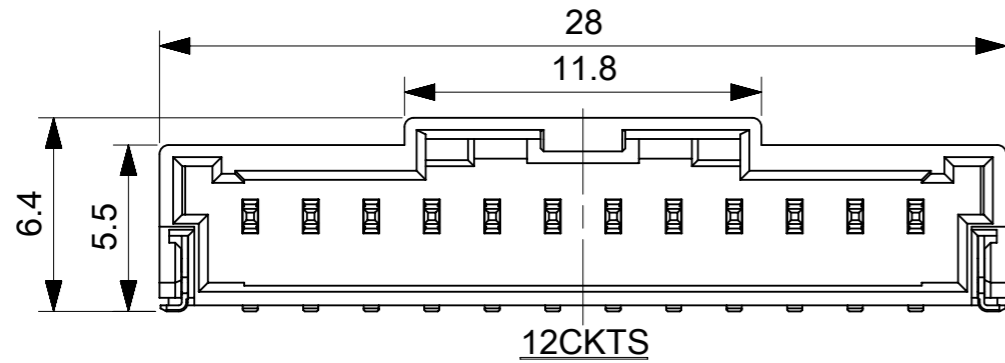
DOCUMENT STATUS	P1	RELEASE DATE	2019/12/13	01:20:00
-----------------	----	--------------	------------	----------

9 8 7 6 5 4 3 2 1

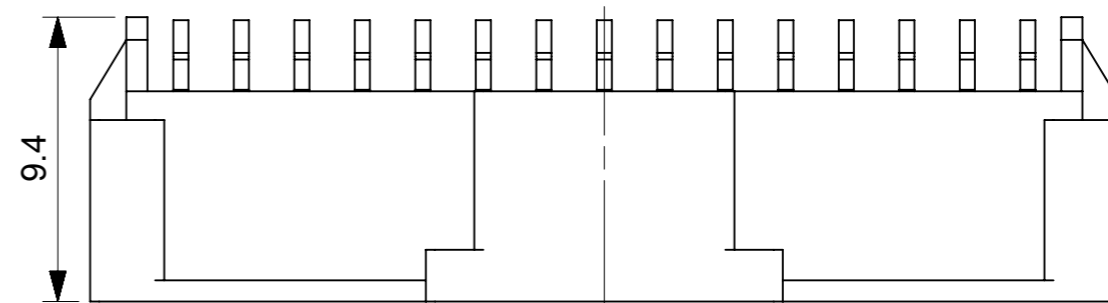
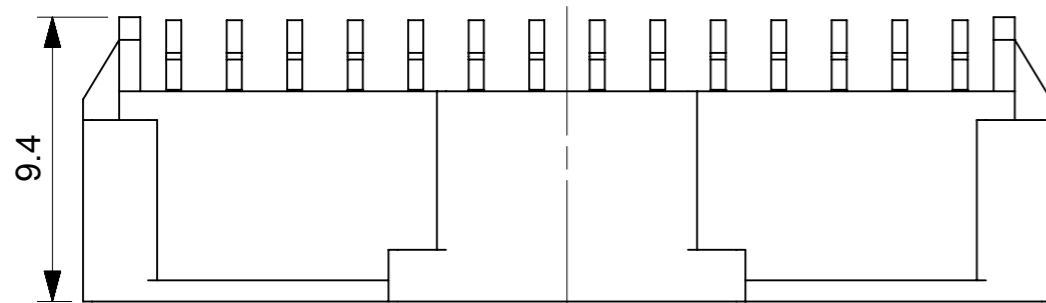
E



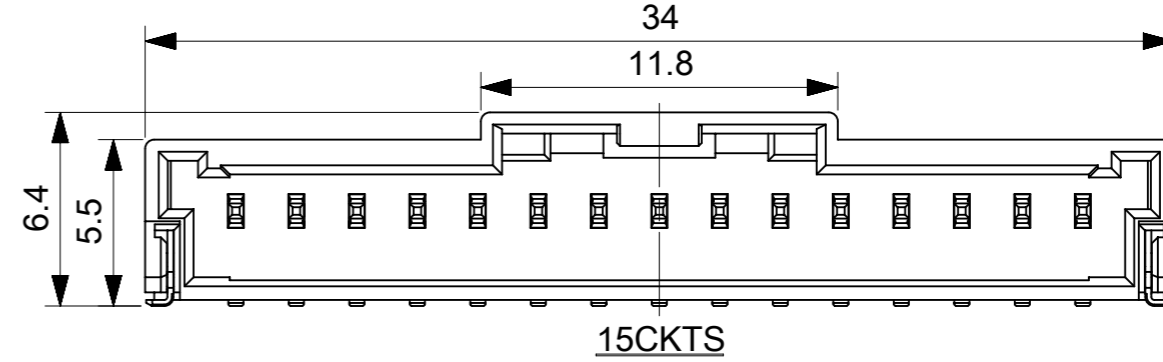
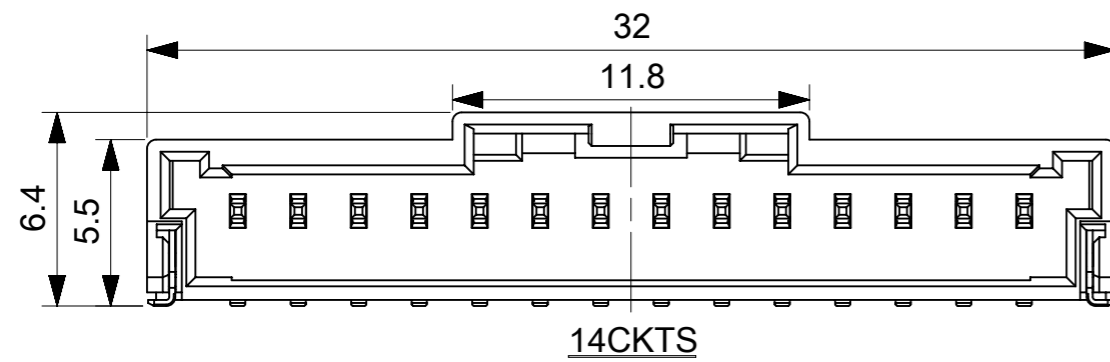
D



C



B



A

THIS DRAWING CONTAINS INFORMATION THAT IS PROPRIETARY TO MOLEX ELECTRONIC TECHNOLOGIES, LLC AND SHOULD NOT BE USED WITHOUT WRITTEN PERMISSION									
DIMENSION UNITS		SCALE		CURRENT REV DESC:				molex	
mm		4:1							
GENERAL TOLERANCES (UNLESS SPECIFIED)				EC NO: 628767					
ANGULAR TOL				±		DRWN: MSATO08 2019/12/09			
4 PLACES				±		CHK'D: HIJIMA 2019/12/10			
3 PLACES				±		APPR: TOSADA 2019/12/13			
2 PLACES				±		INITIAL REVISION:			
1 PLACE				±		DRWN: SHSHIBATA 2008/01/23		DOCUMENT NUMBER	
0 PLACES				±		APPR: AKANESHIGE 2008/04/23		SD-502352-001	
DRAFT WHERE APPLICABLE MUST REMAIN WITHIN DIMENSIONS				THIRD ANGLE PROJECTION		DRAWING		SERIES	
						A3-SIZE		502352	
						MATERIAL NUMBER		CUSTOMER	
						SEE CHART		GENERAL MARKET	
								SHEET NUMBER	
								3 OF 4	

INITIAL REVISION:		
DRWN	SHSHIBATA	2007/12/18
CHECK	HKOMATSU	2007/12/18
APPR	AKANESHIGE	2007/12/18

DOCUMENT STATUS	P1	RELEASE DATE	2019/12/13	01:20:00
-----------------	----	--------------	------------	----------

9 8 7 6 5 4 3 2 1

FORMAT: master-ib-prod-A3
REVISION: 11
DATE: 2018/01/18

Sn NATURAL	34.0	502352-1500	15
	32.0	502352-1400	14
	30.0	502352-1300	13
	28.0	502352-1200	12
	26.0	502352-1100	11
	24.0	502352-1000	10
	22.0	502352-0900	9
	20.0	502352-0800	8
	18.0	502352-0700	7
	16.0	502352-0600	6
	14.0	502352-0500	5
	12.0	502352-0400	4
	10.0	502352-0300	3
8.0	502352-0200	2	

PLATING COLOR	A	EMBOSSED PACKAGE ORDER NO.	CKTS
CONNECTOR SERIES NO. 502352-**08			

Sn BLACK	34.0	502352-1501	15
	32.0	502352-1401	14
	30.0	502352-1301	13
	28.0	502352-1201	12
	26.0	502352-1101	11
	24.0	502352-1001	10
	22.0	502352-0901	9
	20.0	502352-0801	8
	18.0	502352-0701	7
	16.0	502352-0601	6
	14.0	502352-0501	5
	12.0	502352-0401	4
	10.0	502352-0301	3
8.0	502352-0201	2	

PLATING COLOR	A	EMBOSSED PACKAGE ORDER NO.	CKTS
CONNECTOR SERIES NO. 502352-**28			

Au NATURAL	34.0	502352-1510	15
	32.0	502352-1410	14
	30.0	502352-1310	13
	28.0	502352-1210	12
	26.0	502352-1110	11
	24.0	502352-1010	10
	22.0	502352-0910	9
	20.0	502352-0810	8
	18.0	502352-0710	7
	16.0	502352-0610	6
	14.0	502352-0510	5
	12.0	502352-0410	4
	10.0	502352-0310	3
8.0	502352-0210	2	

PLATING COLOR	A	EMBOSSED PACKAGE ORDER NO.	CKTS
CONNECTOR SERIES NO. 502352-**18			

Sn RED	-	-	15
	-	-	14
	-	-	13
	-	-	12
	-	-	11
	-	-	10
	-	-	9
	20.0	502352-0802	8
	-	-	7
	16.0	502352-0602	6
	-	-	5
	12.0	502352-0402	4
	10.0	502352-0302	3
8.0	502352-0202	2	

PLATING COLOR	A	EMBOSSED PACKAGE ORDER NO.	CKTS
CONNECTOR SERIES NO. 502352-**48			

Sn BLUE	-	-	15
	-	-	14
	-	-	13
	-	-	12
	-	-	11
	-	-	10
	-	-	9
	20.0	502352-0803	8
	-	-	7
	16.0	502352-0603	6
	-	-	5
	12.0	502352-0403	4
	10.0	502352-0303	3
8.0	502352-0203	2	

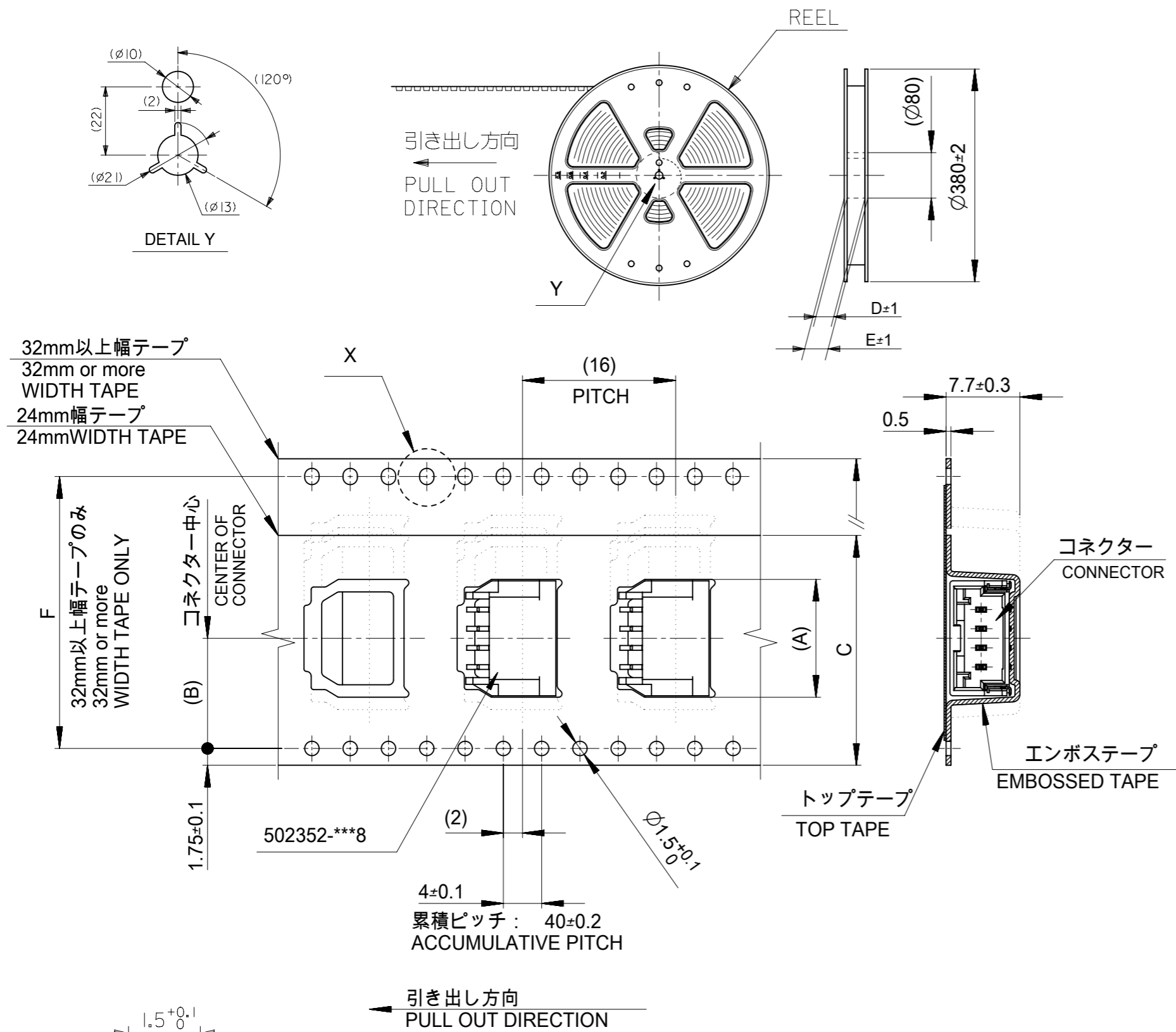
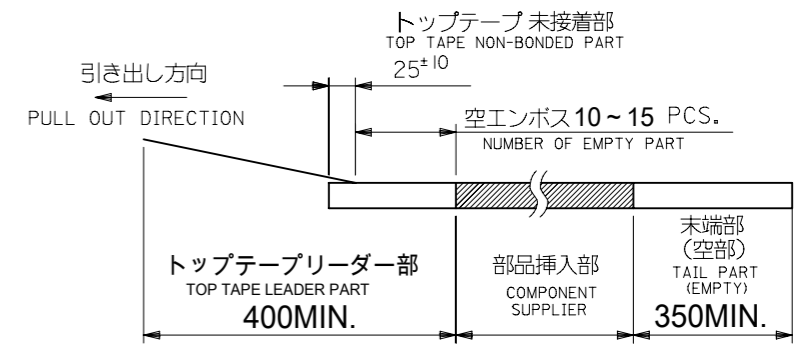
PLATING COLOR	A	EMBOSSED PACKAGE ORDER NO.	CKTS
CONNECTOR SERIES NO. 502352-**68			

INITIAL REVISION:
 DRWN SHSHIBATA 2007/12/18
 CHECK HKOMATSU 2007/12/18
 APPR AKANESHIGE 2007/12/18

THIS DRAWING CONTAINS INFORMATION THAT IS PROPRIETARY TO MOLEX ELECTRONIC TECHNOLOGIES, LLC AND SHOULD NOT BE USED WITHOUT WRITTEN PERMISSION		CURRENT REV DESC:		molex	
DIMENSION UNITS	SCALE	EC NO: 628767			
mm	1:1	DRWN: MSATO08 2019/12/09		2.0MM PITCH W/B CONN. WAFER ASSY R/A SMT	
GENERAL TOLERANCES (UNLESS SPECIFIED)		CHK'D: HIJIMA 2019/12/10		PRODUCT CUSTOMER DRAWING	
ANGULAR TOL	±	APPR: TOSADA 2019/12/13		DOCUMENT NUMBER	
4 PLACES	±	INITIAL REVISION:		SD-502352-001	
3 PLACES	±	DRWN: SHSHIBATA 2008/01/23		DOC TYPE	
2 PLACES	±	APPR: AKANESHIGE 2008/04/23		001	
1 PLACE	±	THIRD ANGLE PROJECTION		REVISION	
0 PLACES	±	DRAWING		L3	
DRAFT WHERE APPLICABLE MUST REMAIN WITHIN DIMENSIONS		SERIES		SHEET NUMBER	
		A3-SIZE		4 OF 4	
		502352		SEE CHART	
		GENERAL MARKET			

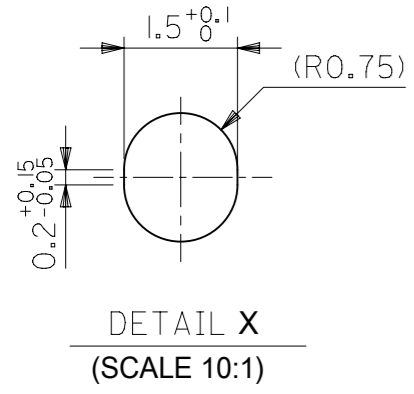
注記
NOTES

- 製品番号
 ナチュラル・錫めっき: 502352-**00
 ナチュラル・金めっき: 502352-**10
 黒・錫めっき: 502352-**01
 赤・錫めっき: 502352-**02
 青・錫めっき: 502352-**03
 詳細寸法については、製品単体図面を参照下さい。
 PART NO.
 NATURAL Sn Plating: 502352-**00
 NATURAL Au Plating: 502352-**10
 BLACK Sn Plating: 502352-**01
 RED Sn Plating: 502352-**02
 BLUE Sn Plating: 502352-**03
 SEE SALES DRAWING FOR CONNECTOR
- 梱包数量: 700個/リール
 NUMBER OF CONNECTORS 700PCS/REEL
- リードテープ長さ
 LEAD TAPE LENGHT
- 材料
 MATERIAL
 キャリアテープ: ポリスチレン
 CARRIER TAPE: POLYSTYRENE
 トップテープ: PET, PE, PEF
 TOP TAPE: PET, PE, PEF
 リール: ポリスチレン
 REEL: POLYSTYRENE
- 一般公差
 GENERAL TOLERANCES
 10 UNDER: ±0.2
 10 OVER 30 UNDER: ±0.25
 30 OVER: ±0.3
 ANGULAR: ±1°



引き出し方向
PULL OUT DIRECTION

エンボステープ内の製品の向き
DIRECTION OF CONNECTOR
IN EMBOSSED TAPE




THIS DRAWING CONTAINS INFORMATION THAT IS PROPRIETARY TO MOLEX ELECTRONIC TECHNOLOGIES, LLC AND SHOULD NOT BE USED WITHOUT WRITTEN PERMISSION		CURRENT REV DESC:		molex		
DIMENSION UNITS	SCALE					
mm	NTS			2.0MM PITCH W/B CONN. WAFER ASSY EMBOSSED TAPE PACKAGE		
GENERAL TOLERANCES (UNLESS SPECIFIED)		EC NO: 629663		PRODUCT CUSTOMER DRAWING		
ANGULAR TOL	±	DRWN: MSATO08 2019/12/26		DOCUMENT NUMBER		
4 PLACES	±	CHK'D: HIJIMA 2019/12/27		SD-502352-002		
3 PLACES	±	APPR: TOSADA 2019/12/27		DOC TYPE		
2 PLACES	±	INITIAL REVISION:		DOC PART		
1 PLACE	±	DRWN: SHSHIBATA 2007/06/19		REVISION		
0 PLACES	±	APPR: AKANESHIGE 2007/06/19		K2		
DRAFT WHERE APPLICABLE MUST REMAIN WITHIN DIMENSIONS		THIRD ANGLE PROJECTION	DRAWING	SERIES	MATERIAL NUMBER	CUSTOMER
			A3-SIZE	502352	SEE CHART	GENERAL MARKET
						SHEET NUMBER
						1 OF 2

INITIAL REVISION:		
DRWN	SHSHIBATA	2007/06/06
CHECK	TAITO	2007/06/06
APPR	MAYAMAMOTO	2012/03/14

E	Sn NATURAL	52.4	61.4	57.4	56	26.2	34.3	502352-1500	15	Au NATURAL	52.4	61.4	57.4	56	26.2	34.3	502352-1510	15	D	PLATING COLOR	F	E	D	C	(B)	(A)	32.3	502352-1400	14	F	E	D	C	(B)	(A)	32.3	502352-1410	14	3	2	1																																																																																																																																																																																										
		40.4	49.4	45.4	44	20.2	30.3	502352-1300	13		40.4	49.4	45.4	44	20.2	30.3	502352-1310	13									30.3	502352-1310	13																																																																																																																																																																																																						
		28.4	37.4	33.4	32	14.2	28.3	502352-1200	12		28.4	37.4	33.4	32	14.2	28.3	502352-1210	12									28.4	37.4	33.4							32	14.2	28.3				502352-1210	12	28.4	37.4	33.4	32	14.2	26.3	502352-1110	11	28.4	37.4	33.4	32	14.2	26.3	502352-1110	11	28.4	37.4	33.4	32	14.2	26.3	502352-1110	11	28.4	37.4	33.4	32	14.2	24.3	502352-1000	10	28.4	37.4	33.4	32	14.2	24.3	502352-1010	10	28.4	37.4	33.4	32	14.2	24.3	502352-1010	10	28.4	37.4	33.4	32	14.2	22.3	502352-0900	9	28.4	37.4	33.4	32	14.2	22.3	502352-0910	9	28.4	37.4	33.4	32	14.2	20.3	502352-0800	8	28.4	37.4	33.4	32	14.2	20.3	502352-0810	8	28.4	37.4	33.4	32	14.2	18.3	502352-0700	7	28.4	37.4	33.4	32	14.2	18.3	502352-0710	7	28.4	37.4	33.4	32	14.2	16.3	502352-0600	6	28.4	37.4	33.4	32	14.2	16.3	502352-0610	6	28.4	37.4	33.4	32	14.2	14.3	502352-0500	5	28.4	37.4	33.4	32	14.2	14.3	502352-0510	5	28.4	37.4	33.4	32	14.2	12.3	502352-0400	4	28.4	37.4	33.4	32	14.2	12.3	502352-0410	4	28.4	37.4	33.4	32	14.2	10.3	502352-0300	3	28.4	37.4	33.4	32	14.2	10.3	502352-0310	3	28.4	37.4	33.4	32	14.2	8.3	502352-0200	2	28.4	37.4	33.4	32	14.2	8.3	502352-0210	2	28.4	37.4	33.4	32	14.2	8.3	502352-0210	2
							29.4	25.4	24							11.5	12.3	502352-0400																				4				29.4	25.4						24	11.5	12.3						502352-0410	4	29.4						25.4	24	11.5						12.3	502352-0410	4																																																																																																																																																								
							29.4	25.4	24							11.5	10.3	502352-0300																				3				29.4	25.4						24	11.5	10.3						502352-0310	3	29.4						25.4	24	11.5						10.3	502352-0310	3																																																																																																																																																								
		29.4	25.4	24	11.5	8.3	502352-0200	2	29.4		25.4	24	11.5	8.3	502352-0210	2	29.4	25.4									24	11.5	8.3							502352-0210	2																																																																																																																																																																																														

C	Sn BLACK	52.4	61.4	57.4	56	26.2	34.3	502352-1501	15	Sn RED	PLATING COLOR	F	E	D	C	(B)	(A)	F	E	D	C	(B)	(A)	34.3	502352-1501	15	F	E	D	C	(B)	(A)	32.3	502352-1401	14	F	E	D	C	(B)	(A)	32.3	502352-1410	14	F	E	D	C	(B)	(A)	30.3	502352-1301	13	F	E	D	C	(B)	(A)	28.3	502352-1201	12	F	E	D	C	(B)	(A)	28.3	502352-1201	12	F	E	D	C	(B)	(A)	26.3	502352-1101	11	F	E	D	C	(B)	(A)	26.3	502352-1101	11	F	E	D	C	(B)	(A)	24.3	502352-1001	10	F	E	D	C	(B)	(A)	24.3	502352-1001	10	F	E	D	C	(B)	(A)	22.3	502352-0901	9	F	E	D	C	(B)	(A)	22.3	502352-0901	9	F	E	D	C	(B)	(A)	20.3	502352-0801	8	F	E	D	C	(B)	(A)	20.3	502352-0801	8	F	E	D	C	(B)	(A)	18.3	502352-0701	7	F	E	D	C	(B)	(A)	18.3	502352-0701	7	F	E	D	C	(B)	(A)	16.3	502352-0601	6	F	E	D	C	(B)	(A)	16.3	502352-0601	6	F	E	D	C	(B)	(A)	14.3	502352-0501	5	F	E	D	C	(B)	(A)	14.3	502352-0501	5	F	E	D	C	(B)	(A)	12.3	502352-0401	4	F	E	D	C	(B)	(A)	12.3	502352-0401	4	F	E	D	C	(B)	(A)	10.3	502352-0301	3	F	E	D	C	(B)	(A)	10.3	502352-0301	3	F	E	D	C	(B)	(A)	8.3	502352-0201	2	F	E	D	C	(B)	(A)	8.3	502352-0201	2
		40.4	49.4	45.4	44	20.2	20.3	502352-0802	8															40.4	49.4	45.4							44	20.2	20.3							502352-0802	8	40.4							49.4	45.4	44							20.2	20.3	502352-0803							8																																																																																																																																																																																						
		28.4	37.4	33.4	32	14.2	16.3	502352-0602	6															28.4	37.4	33.4							32	14.2	16.3							502352-0602	6	28.4							37.4	33.4	32							14.2	16.3	502352-0603							6																																																																																																																																																																																						
							14.3	502352-0501	5																										14.3							502352-0501	5																		14.3	502352-0501							5																																																																																																																																																																																						
							12.3	502352-0401	4																										12.3							502352-0402	4																		12.3	502352-0403							4																																																																																																																																																																																						
		29.4	25.4	24	11.5	10.3	502352-0302	3	29.4															25.4	24	11.5							10.3	502352-0302	3							29.4	25.4	24							11.5	10.3	502352-0303							3																																																																																																																																																																																															
		29.4	25.4	24	11.5	8.3	502352-0202	2	29.4															25.4	24	11.5							8.3	502352-0202	2							29.4	25.4	24							11.5	8.3	502352-0203							2																																																																																																																																																																																															

THIS DRAWING CONTAINS INFORMATION THAT IS PROPRIETARY TO MOLEX ELECTRONIC TECHNOLOGIES, LLC AND SHOULD NOT BE USED WITHOUT WRITTEN PERMISSION															
DIMENSION UNITS: mm SCALE: NTS		CURRENT REV DESC:													
GENERAL TOLERANCES (UNLESS SPECIFIED)		EC NO: 629663 DRWN: MSATO08 2019/12/26 CHK'D: HIJIMA 2019/12/27 APPR: TOSADA 2019/12/27				2.0MM PITCH W/B CONN. WAFER ASSY EMBOSSED TAPE PACKAGE									
ANGULAR TOL ± °		INITIAL REVISION:				PRODUCT CUSTOMER DRAWING									
4 PLACES ±		DRWN: SHSHIBATA 2007/06/19 APPR: AKANESHIGE 2007/06/19				DOCUMENT NUMBER: SD-502352-002		DOC TYPE: PSD		DOC PART: 001		REVISION: K2			
3 PLACES ±		DRAFT WHERE APPLICABLE MUST REMAIN WITHIN DIMENSIONS		THIRD ANGLE PROJECTION		DRAWING: A3-SIZE		SERIES: 502352		MATERIAL NUMBER: SEE CHART		CUSTOMER: GENERAL MARKET		SHEET NUMBER: 2 OF 2	
2 PLACES ±		INITIAL REVISION: DRWN SHSHIBATA 2007/06/06 CHECK TAITO 2007/06/06 APPR MAYAMAMOTO 2012/03/14													
1 PLACE ±		DOCUMENT STATUS: P1 RELEASE DATE: 2019/12/27 08:05:27													
0 PLACES ±		9 8 7 6 5 4 3 2 1													