



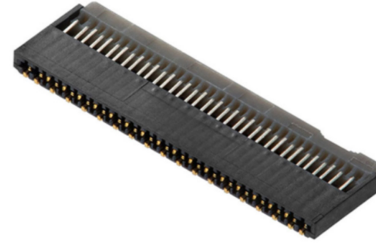
产品编号 : [5047544120](#)

Product Description : 0.30mm Pitch Easy-On Back Flip FPC Connector, LA75 Series, Right-Angle, Surface Mount, Dual Contact Style, 0.75mm Height, 41 Circuits

系列号 : 504754

状态 : Active

Product Category : FFC / FPC Connectors



文件和资源

图纸

[图纸 5047544120_sd.pdf](#)

3D 模型和设计文件

[3D模型 5047544120_stp.zip](#)

规格


[应用规格 AS-504754-002-001.pdf](#)

[包装规格 5047549200-200.pdf](#)

[产品规格 PS-504754-002-001.pdf](#)

产物环境合规

合规

GADSL/IMDS	Not Relevant
China RoHS	
EU ELV	Not Relevant
Low-Halogen Status	Low-Halogen per IEC 61249-2-21
REACH SVHC	Not Contained per D(2023)3788-DC (14 Jun 2023)
EU RoHS	Compliant per EU 2015/863

多部分产品合规性声明

- Eu RoHS
- REACH SVHC
- Low-Halogen

多部分行业合规性文件

- IPC 1752A Class C

- IPC 1752A Class D
- Molex Product Compliance Declaration
- IEC-62474
- chemSHERPA (xml)

欧盟 RoHS 合格证书

产品详情

常规

状态	活动
类别	FFC / FPC Connectors
系列	504754
说明	0.30mm Pitch Easy-On Back Flip FPC Connector, LA75 Series, Right-Angle, Surface Mount, Dual Contact Style, 0.75mm Height, 41 Circuits
产品系列	LA75
产品系列	Easy-On FFC FPC Connectors
产品名称	Easy-On
UPC	889056000291

电气

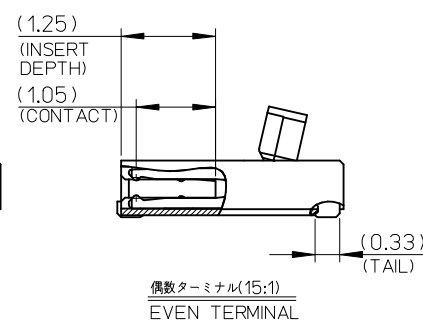
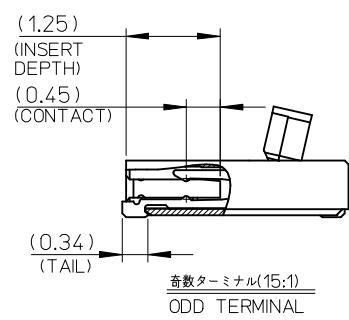
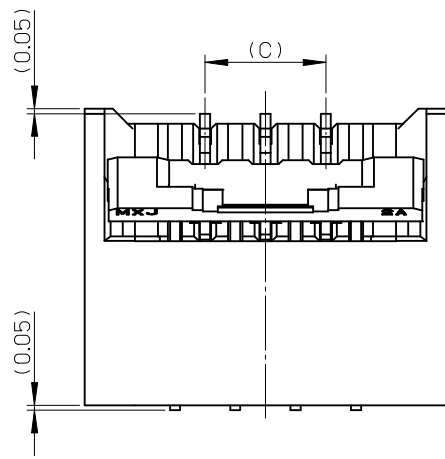
每触点最大电流	0.3A
电压 - 最大	50V

物理

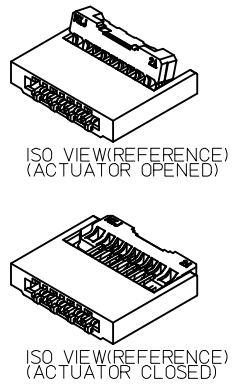
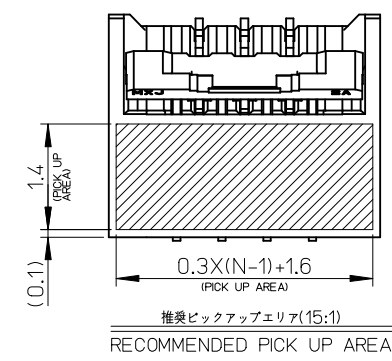
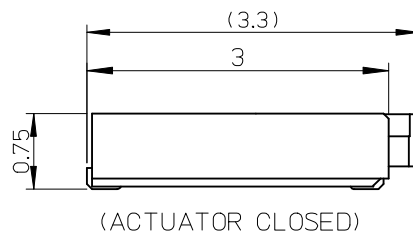
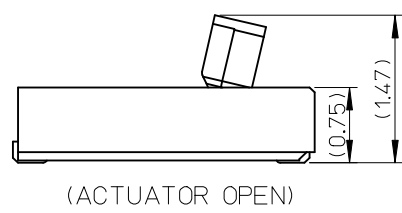
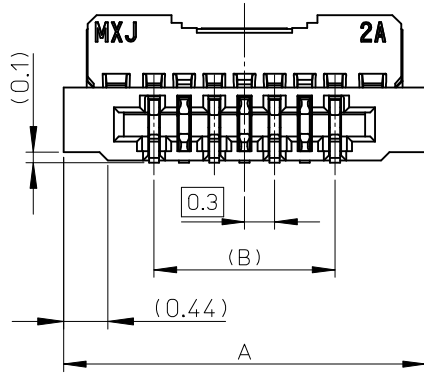
驱动器类型	Back Flip
回路数 (已载入)	41
电路数 (最多)	41
颜色-树脂	黑色
接触部位	Dual
耐用性(插拔次数) - 最多次数	10
插配长度	0.75mm
材料 - 金属	Copper Alloy
材料 - 接合部位电镀	金牌
材料 - 终端电镀	金牌
材料 - 树脂	Liquid Crystal Polymer

净重	49.221/mg
方向	Right Angle
包装形式	Embossed Tape on Reel
PCB 定位器	否
PCB安装	Surface Mount
PCB 保持力	无
间距 - 插配接口	0.30mm
间距 - 终端界面	0.30mm
PCB 极性	是
可堆叠的	否
运行温度范围	-40° to +105° C
导线/电缆型号	FPC only

This document was generated on Jan 02, 2024



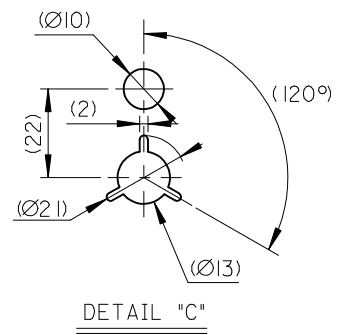
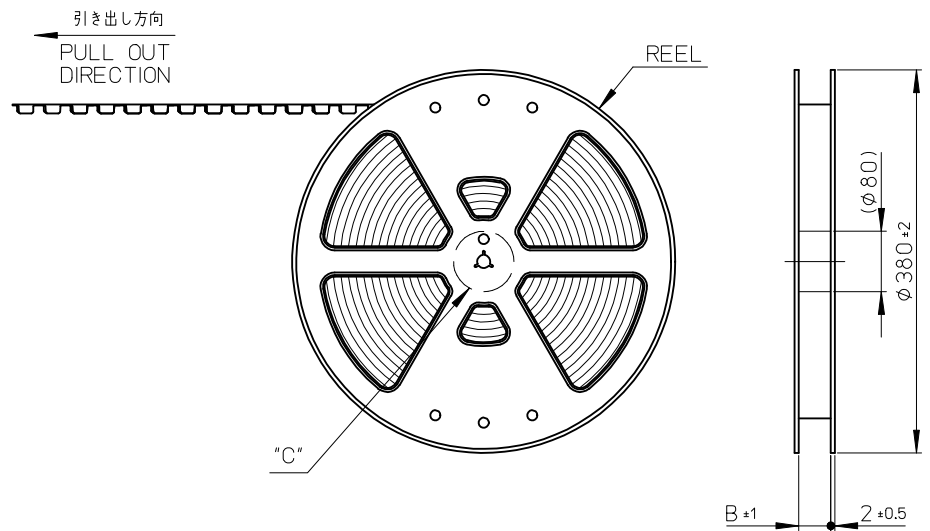
注記 NOTES:
 1.材質 MATERIAL
 ハウジング: 液晶ポリマー(LCP)、黒色、ガラス充填、UL94_V-0
 HOUSING: LIQUID CRYSTAL POLYMER, BLACK, GLASS FILLED, UL94_V-0
 アクチュエータ: ポリアミド樹脂(PA)、灰色、ガラス充填、UL94-HB
 ACTUATOR: POLYAMIDE, GRAY, GLASS FILLED, UL94_HB
 奇数ターミナル: 銅合金 (t=0.10)
 ODD TERMINAL: COPPER ALLOY(t=0.10)
 偶数ターミナル: 銅合金 (t=0.10)
 EVEN TERMINAL: COPPER ALLOY(t=0.10)
 2.めっき仕様 PLATING
 奇数/偶数ターミナル ODD/EVEN TERMINAL
 接点部: 部分金めっき(0.1μm以上)
 CONTACT AREA: SEPARATED GOLD PLATING (0.1 MICROMETER MINIMUM)
 半田付け部: 部分金めっき
 SOLDER TAIL AREA: SEPARATED GOLD PLATING
 下地: ニッケルめっき(1.0μm以上)
 UNDERPLATE: NICKEL PLATING(1.0 MICROMETER MINIMUM)
 3.平坦度は、0.1ミリ以下とする。
 TAILS' COPLANARITY TO BE 0.1 MAXIMUM.
 4.ELV及びRoHS適合品
 ELV AND RoHS COMPLIANT



18.6	17.4	18	19.8	504754-6120	61
15.6	14.4	15	16.8	504754-5120	51
12.6	11.4	12	13.8	504754-4120	41
12.0	10.8	11.4	13.2	504754-3920	39
11.4	10.2	10.8	12.6	504754-3720	37
10.8	9.6	10.2	12.0	504754-3520	35
10.2	9	9.6	11.4	504754-3320	33
9.6	8.4	9	10.8	504754-3120	31
7.8	6.6	7.2	9	504754-2520	25
6.6	5.4	6	7.8	504754-2120	21
4.8	3.6	4.2	6	504754-1520	15
3.6	2.4	3	4.8	504754-1120	11
3	1.8	2.4	4.2	504754-0920	9
2.4	1.2	1.8	3.6	504754-0720	7
D	C	B	A	EMBOSSED PACKAGE	CIRCUITS
				オーダー番号:ORDER NO.	

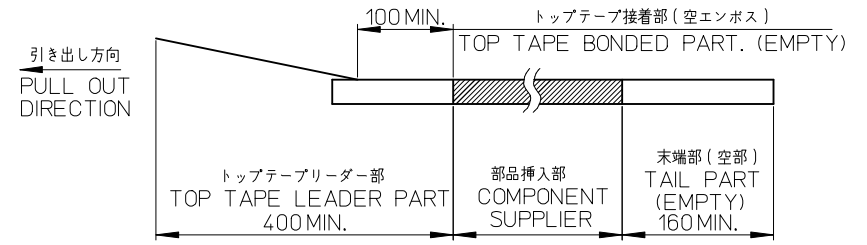
CONNECTOR SERIES : 504754-**29

REVISED EC NO: J2016-0484 T1 DRW:AYOSHI 2015/11/10 CHKD:YKOBAYASHI 022015/11/10 APPR:YNOGAWA 2015/11/12	GENERAL TOLERANCES (UNLESS SPECIFIED)		DIMENSION STYLE		SCALE		DESIGN UNITS		THIRD ANGLE PROJECTION	
	0.25 UNDER ±0.03		MM ONLY		20:1		METRIC		⊙	
	0.25 OVER 0.5 UNDER ±0.05		DRAWN BY DATE		TITLE					
	0.5 OVER 1.0 UNDER ±0.1		AYOSHI I01 2014/01/17		0.3 FPC CONN. BACK FLIP					
	1.0 OVER 10 UNDER ±0.2		CHECKED BY DATE		LA75 SERIES					
10 OVER 30 UNDER ±0.25		YKOBAYASHI I02 2014/01/17		HOUSING ASSY						
30 OVER ±0.3		APPROVED BY DATE		molex						
ANGULAR ±1 °		YNOGAWA 2014/10/31		SEE CHART		DOCUMENT NO.		SHEET NO.		
DRAFT WHERE APPLICABLE MUST REMAIN WITHIN DIMENSIONS		MATERIAL NO.		SD-504754-003				1 OF 2		
		SIZE		THIS DRAWING CONTAINS INFORMATION THAT IS PROPRIETARY TO MOLEX INCORPORATED AND SHOULD NOT BE USED WITHOUT WRITTEN PERMISSION						
		A3								



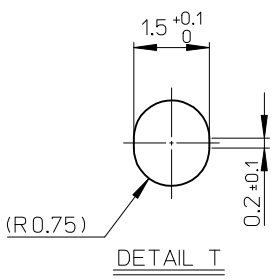
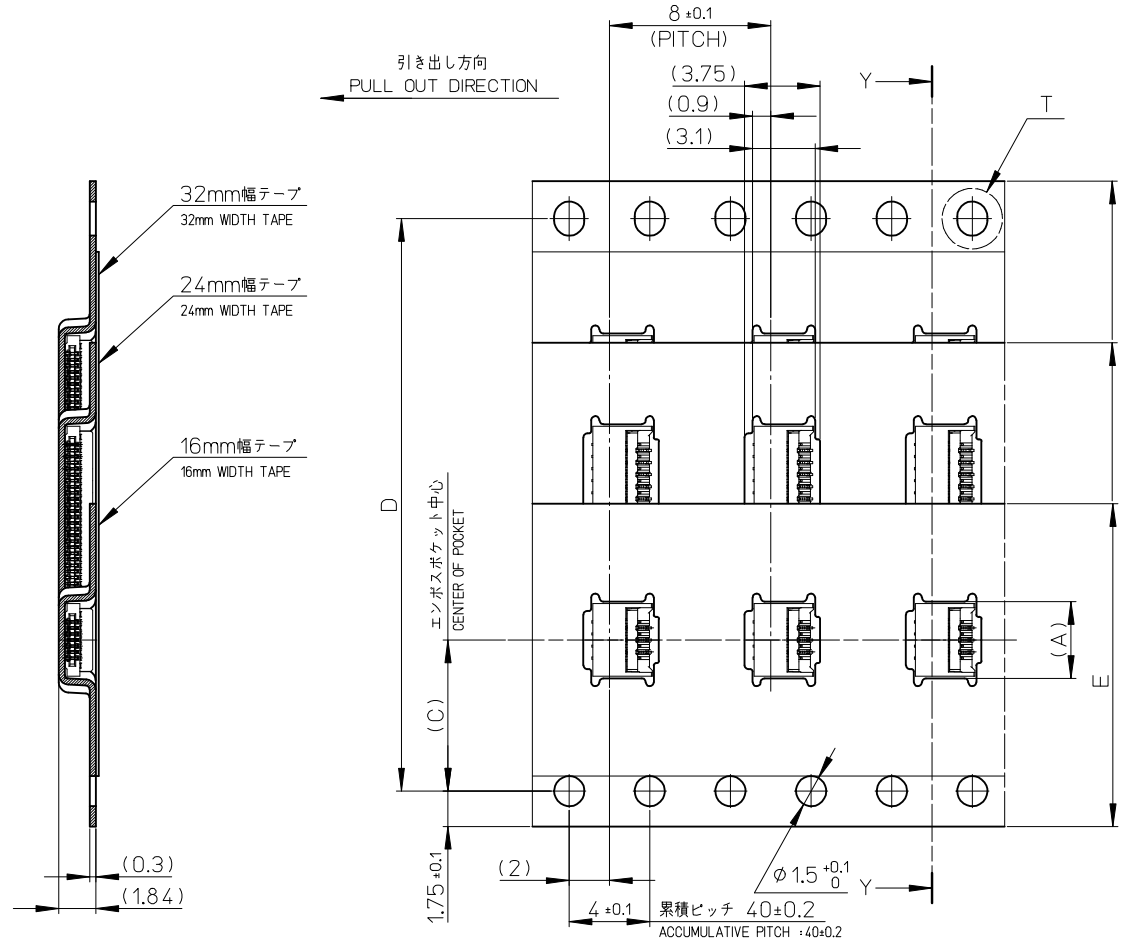
注記 NOTES

- 製品詳細寸法については図面 SD-504754-003 を参照下さい。
REFER TO THE SD-504754-003 ABOUT DIMENSIONS IN DETAIL.
- 梱包数量：5000個/リール
NUMBER OF CONNECTORS：5000 PCS/REEL
- リードテープ長さ LEAD TAPE LENGTH



- 材料 MATERIAL
 キャリアテープ (CARRIER TAPE)：ポリスチレン (POLYSTYRENE)
 トップテープ (TOP TAPE)：PET, PE, PEF
 リール (REEL)：ポリスチレン (PS) <リサイクル材を含む>
 POLYSTYRENE (PS) <RECYCLE MATERIAL CONTAINED>
- ELV 及び RoHS 適合品
 ELV AND RoHS COMPLIANT

REVISED EC NO: J2016-0484 DRWN: AYOSHI 2015/11/10 CHKD: YKOBAYASHI 02 2015/11/10 APPR: YNOGAWA 2015/11/12	GENERAL TOLERANCES (UNLESS SPECIFIED)		DIMENSION STYLE MM ONLY		SCALE	DESIGN UNITS METRIC	THIRD ANGLE PROJECTION	
	0.25 UNDER	± 0.03	DRAWN BY DATE		TITLE			
	0.25 OVER 0.5 UNDER	± 0.05	AYOSHI 101 2014/01/17		0.3 FPC CONN. BACK FLIP LA75 SERIES TAPING PACKAGE			
	0.5 OVER 1.0 UNDER	± 0.1	CHECKED BY DATE					
	1.0 OVER 10 UNDER	± 0.2	YKOBAYASHI 02 2014/01/17					
10 OVER 30 UNDER	± 0.25	APPROVED BY DATE		DOCUMENT NO.		SHEET NO.		
30 OVER	± 0.3	YNOGAWA 2015/01/29		SD-504754-004		1 OF 2		
ANGULAR ± 1 °		MATERIAL NO.		SEE CHART				
DRAFT WHERE APPLICABLE MUST REMAIN WITHIN DIMENSIONS				THIS DRAWING CONTAINS INFORMATION THAT IS PROPRIETARY TO MOLEX INCORPORATED AND SHOULD NOT BE USED WITHOUT WRITTEN PERMISSION				



32±0.3	28.4	14.2	33.4	20.0	504754-6120	61	
				17.0	504754-5120	51	
24±0.3	--	11.5	25.4	14.0	504754-4120	41	
				13.4	504754-3920	39	
				12.8	504754-3720	37	
				12.2	504754-3520	35	
				11.6	504754-3320	33	
				11.0	504754-3120	31	
				9.2	504754-2520	25	
16±0.3	--	7.5	17.4	8.0	504754-2120	21	
				6.2	504754-1520	15	
				4.9	504754-1120	11	
				4.3	504754-0920	9	
				3.7	504754-0720	7	
E キャリアテープ幅 EMBOSSED TAPE WIDTH		D	C	B	A	オーダー番号 ORDER NO.	極数 CIRCUITS

SECTION Y-Y

SEE SHEET 1 EC NO: J2016-0484 DRWN: AYOSHI 101 2015/11/10 CHKD: YKOBAYASHI 02 2015/11/10 APPR: YNOGAWA 2015/11/12	GENERAL TOLERANCES (UNLESS SPECIFIED)		DIMENSION STYLE MM ONLY		SCALE	DESIGN UNITS METRIC	THIRD ANGLE PROJECTION	
	0.25 UNDER	±0.03	DRAWN BY	DATE	TITLE			
	0.25 OVER 0.5 UNDER	±0.05	AYOSHI 101	2014/01/17	0.3 FPC CONN. BACK FLIP LA75 SERIES TAPING PACKAGE			
	0.5 OVER 1.0 UNDER	±0.1	CHECKED BY	DATE				
	1.0 OVER 10 UNDER	±0.2	YKOBAYASHI 02	2014/01/17				
10 OVER 30 UNDER	±0.25	APPROVED BY	DATE	DOCUMENT NO.		SHEET NO.		
30 OVER	±0.3	YNOGAWA	2015/01/29	SD-504754-004		2 OF 2		
ANGULAR ±1 °		MATERIAL NO.		SEE CHART				
DRAFT WHERE APPLICABLE MUST REMAIN WITHIN DIMENSIONS		SIZE	THIS DRAWING CONTAINS INFORMATION THAT IS PROPRIETARY TO MOLEX INCORPORATED AND SHOULD NOT BE USED WITHOUT WRITTEN PERMISSION					
		A3						