



产品编号 : [50579409](#)

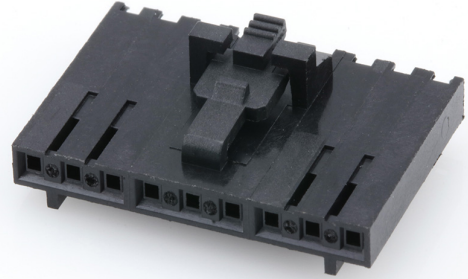
Product Description : SL Crimp Housing, Single Row, Version G, Positive Latch, 9 Circuits, Black

系列号 : 70066

状态 : Active

Product Category : Connector Housings

工程编号 : 70066-0183



文件和资源

图纸

[图纸 050579409_sd.pdf](#)

[包装设计图 PK-70066-100-001.pdf](#)

3D 模型和设计文件

[3D模型 050579409_stp.zip](#)

规格

[产品规格 PS-70400-001.pdf](#)

[产品规格 PS-70058-001.pdf](#)

[产品规格 PS-71851-001.pdf](#)

[测试摘要 TS-70058-001-001.pdf](#)

产物环境合规

合规

GADSL/IMDS	Not Relevant
China RoHS	
EU ELV	Not Relevant
Low-Halogen Status	Not Low-Halogen per IEC 61249-2-21
REACH SVHC	Not Contained per D(2023)3788-DC (14 Jun 2023)
EU RoHS	Compliant per EU 2015/863

[多部分产品合规性声明](#)

- Eu RoHS
- REACH SVHC
- Low-Halogen

多部分行业合规性文件

- IPC 1752A Class C
- IPC 1752A Class D
- Molex Product Compliance Declaration
- IEC-62474
- chemSHERPA (xml)

欧盟 RoHS 合格证书

产品详情

常规

状态	活动
类别	Connector Housings
系列	70066
说明	SL Crimp Housing, Single Row, Version G, Positive Latch, 9 Circuits, Black
应用	Signal, Wire-to-Board
个评论	Version G; Use with CyClone Panel-to-Panel Connector 73099
产品系列	SL Modular Connectors
产品名称	CyClone, SL
UPC	800753577800

机构

CSA	LR19980
UL	E29179

物理

电路数（最多）	9
颜色-树脂	黑色
阻燃性	94V-0
性别	Receptacle
符合灼热丝规范	否
插接极性	是

锁定插接部位	是
材料 - 树脂	Polyester Alloy
净重	0.900/g
行数	1
包装形式	Bag
面板安装式	否
间距 - 插配接口	2.54mm
可堆叠的	否
运行温度范围	-40° to +105° C

进程

无铅	不适用
----	-----

可配插/可连接使用的产品

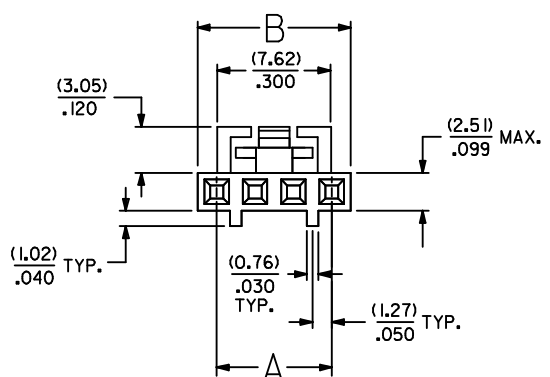
可配插部件

描述	产品编号
SL Single Row Housing Panel Mounts	<u>70018</u>
SL Single Row Crimp Housings	<u>70107</u>
SL Vertical Single Row Headers	<u>70541</u>
SL Vertical Single Row Headers	<u>70543</u>
SL Vertical Single Row Headers	<u>70545</u>
SL Vertical, Single Row, Surface Mount Headers	<u>74099</u>
SL Right-Angle Single Row Headers	<u>70551</u>
SL Right-Angle, Single Row, Low Profile Headers	<u>70553</u>
SL Right-Angle Single Row Headers	<u>70555</u>
SL Right-Angle, Single Row, Low Profile, Surface Mount Headers	<u>70634</u>

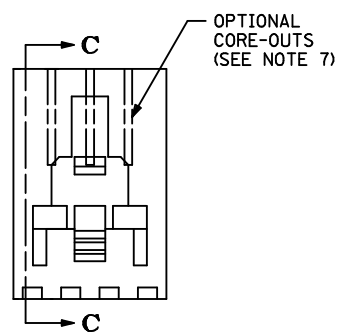
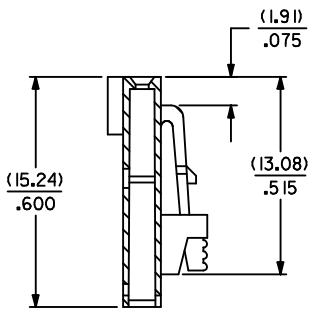
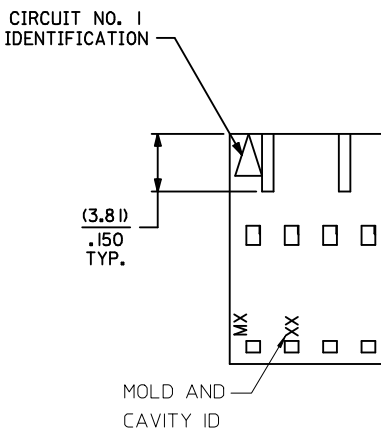
可连接使用部件

描述	产品编号
SL Female Terminals	<u>70058</u>

This document was generated on Jan 02, 2024

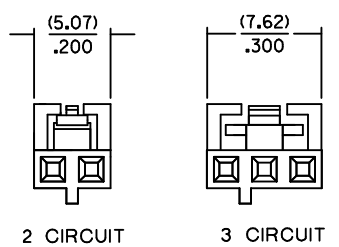


- NOTES:
1. MATERIAL GLASS FILLED POLYESTER; UL94V-0; COLOR: BLACK.
 2. HOUSING MAY BE USED WITH TERMINAL NUMBERS 70058 AND 71851.
 3. REFER TO CHART FOR AVAILABLE CIRCUIT SIZES.
 4. HOUSINGS TO BE USED WITH (0.64)/.025 SQUARE OR ROUND PINS.
 5. HOUSING ARE STACKABLE END-TO-END ON (2.54)/.100 CENTERS.
 6. REFER TO MOLEX PRODUCT SPECIFICATION(S): PS-70400, PS-70058, PS-71851, PS-70021, AND MOLEX APPLICATION SPECIFICATION SDES-70400.
 7. PARTS MAY OR MAY NOT BE SUPPLIED WITH EXTERIOR CORE-OUT CONFIGURATION. REFER TO MOLEX DRAWING NUMBER SD-70066-**** FOR OPTIONAL HOUSING DETAILS.
 8. DIMENSIONS ARE SHOWN FOR REFERENCE ONLY.
 9. PACKAGE PER PK-70066-100.



SECTION C-C

OPTION "G"



LATCH AND POLARIZATION RIB LOCATION

4 THROUGH 25 CIRCUIT HOUSINGS ARE AS SHOWN IN MAIN BODY OF DRAWING

CKT. SIZE	EDP. NO.	ENG. NO.	A	B MAX.
2	50-57-9402	70066-0176	(2.54) .100	(5.05) .199
3	50-57-9403	70066-0177	(5.08) .200	(7.59) .299
4	50-57-9404	70066-0178	(7.62) .300	(10.13) .399
5	50-57-9405	70066-0179	(10.16) .400	(12.67) .499
6	50-57-9406	70066-0180	(12.70) .500	(15.21) .599
7	50-57-9407	70066-0181	(15.24) .600	(17.75) .699
8	50-57-9408	70066-0182	(17.78) .700	(20.29) .799
9	50-57-9409	70066-0183	(20.32) .800	(22.83) .899
10	50-57-9410	70066-0184	(22.86) .900	(25.37) .999
11	50-57-9411	70066-0185	(25.40) 1.000	(27.91) 1.099
12	50-57-9412	70066-0186	(27.94) 1.100	(30.45) 1.199
13	50-57-9413	70066-0187	(30.48) 1.200	(32.99) 1.299
14	50-57-9414	70066-0188	(33.02) 1.300	(35.53) 1.399
15	50-57-9415	70066-0189	(35.56) 1.400	(38.07) 1.499
16	50-57-9416	70066-0190	(38.10) 1.500	(40.61) 1.599
17	50-57-9417	70066-0191	(40.64) 1.600	(43.15) 1.699
18	50-57-9418	70066-0192	(43.18) 1.700	(45.69) 1.799
19	50-57-9419	70066-0193	(45.72) 1.800	(48.23) 1.899
20	50-57-9420	70066-0194	(48.26) 1.900	(50.77) 1.999
21	50-57-9421	70066-0195	(50.80) 2.000	(53.31) 2.099
22	50-57-9422	70066-0196	(53.34) 2.100	(55.85) 2.199
23	50-57-9423	70066-0197	(55.88) 2.200	(58.39) 2.299
24	50-57-9424	70066-0198	(58.42) 2.300	(60.93) 2.399
25	50-57-9425	70066-0199	(60.96) 2.400	(63.47) 2.499

LOCATE MOLD & CAVITY ID EC NO: UCP2014-4216 DRAWN:WHIPPLE 2014/04/11 CHKD:DMORGAN 2014/04/11 APPR:SMILLER 2014/04/28	QUALITY SYMBOLS	GENERAL TOLERANCES (UNLESS SPECIFIED)	DIMENSION STYLE MM/IN	SCALE 4:1	DESIGN UNITS INCH	THIRD ANGLE PROJECTION
	▽=0	4 PLACES ± --- INCH	DRAWN BY DATE DMORGAN 2011/11/11	TITLE HOUSING,CONNECTOR (2.54)/.100 GRID OPT. G STACKABLE SINGLE ROW		
	▽=0	3 PLACES ± --- ±.010	CHECKED BY DATE WZ 1986/03/28			
	▽=0	2 PLACES ± 0.25 ±.015	APPROVED BY DATE SMILLER 2012/02/13	DOCUMENT NO. SD-70066-0176-0199		
▽=0	1 PLACE ± 0.38 ± ---	MATERIAL NO. SEE CHART	SHEET NO. 1 OF 1			
M	ANGULAR ±1/2°	DRAFT WHERE APPLICABLE MUST REMAIN WITHIN DIMENSIONS	SIZE C	THIS DRAWING CONTAINS INFORMATION THAT IS PROPRIETARY TO MOLEX INCORPORATED AND SHOULD NOT BE USED WITHOUT WRITTEN PERMISSION		