



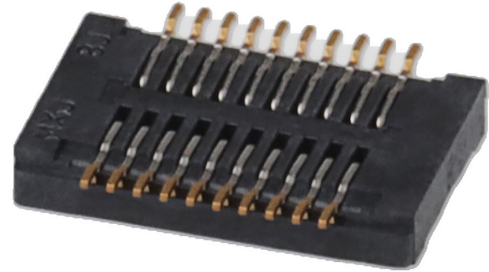
产品编号：[547220304](#)

Product Description：0.50mm Pitch SlimStack Receptacle, Surface Mount, Dual Row, Vertical, 1.50mm Stacking Height, Lower Circuit Size Version, 30 Circuits, Gold Plating with Nickel Barrier Plating Between Contact and Tail

系列号：54722

状态：Active

Product Category：Board-to-Board Connectors



文件和资源

图纸

[图纸 547220304_sd.pdf](#)

[包装设计图 SPK-54722-001-002.pdf](#)

3D 模型和设计文件

[2D 图纸 DXF 547220304.dxf](#)

[2D 图纸 DXF PDF 547220304.pdf](#)

[3D模型 547220304_stp.zip](#)

规格

[应用规格 547220000-A00.pdf](#)

[产品规格 PS-54722-010-001.pdf](#)

产物环境合规

合规

GADSL/IMDS	Not Relevant
China RoHS	
EU ELV	Not Relevant
Low-Halogen Status	Low-Halogen per IEC 61249-2-21
REACH SVHC	Not Contained per D(2023)3788-DC (14 Jun 2023)
EU RoHS	Compliant per EU 2015/863

[多部分产品合规性声明](#)

- Eu RoHS

- REACH SVHC

- Low-Halogen

多部分行业合规性文件

- IPC 1752A Class C

- IPC 1752A Class D

- Molex Product Compliance Declaration

- IEC-62474

- chemSHERPA (xml)

欧盟 RoHS 合格证书

产品详情

常规

状态	活动
类别	Board-to-Board Connectors
系列	54722
说明	0.50mm Pitch SlimStack Receptacle, Surface Mount, Dual Row, Vertical, 1.50mm Stacking Height, Lower Circuit Size Version, 30 Circuits, Gold Plating with Nickel Barrier Plating Between Contact and Tail
产品系列	0.5, BB H1.5
应用	Board-to-Board, Signal
个评论	Embossed Tape Reel Height: 380.00mm; Gold plating with Nickel plating between contact and tail
元件类型	PCB Receptacle
产品系列	SlimStack Board-to-Board/Board-to-FPC Connectors
产品名称	SlimStack
UPC	756054574348

机构

UL	E29179
----	--------

电气

每触点最大电流	0.5A
电压 - 最大	50V

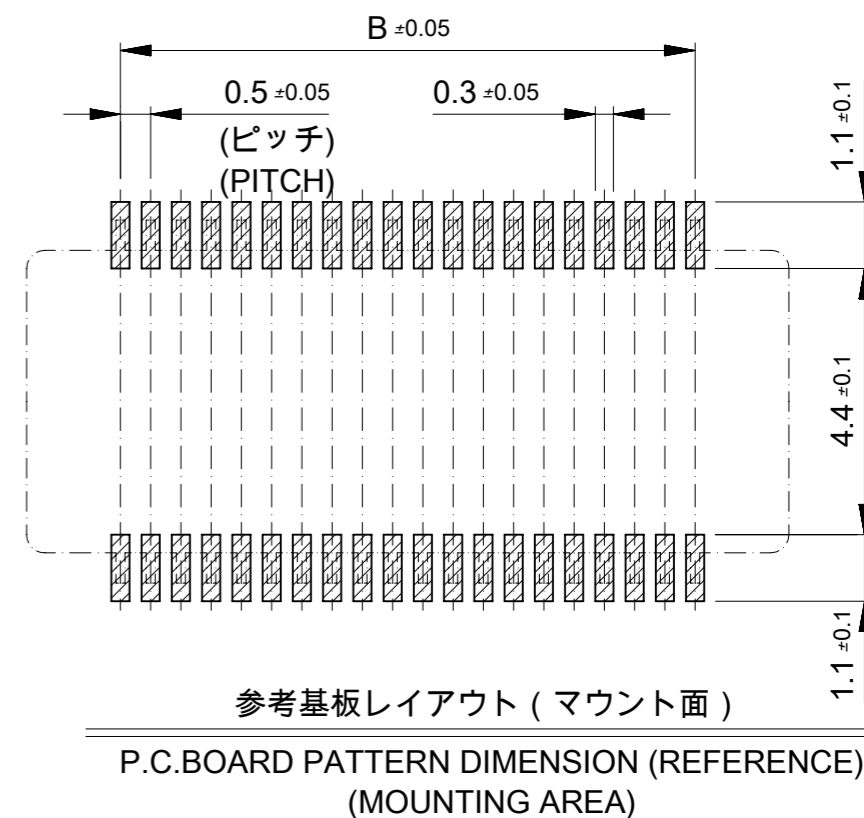
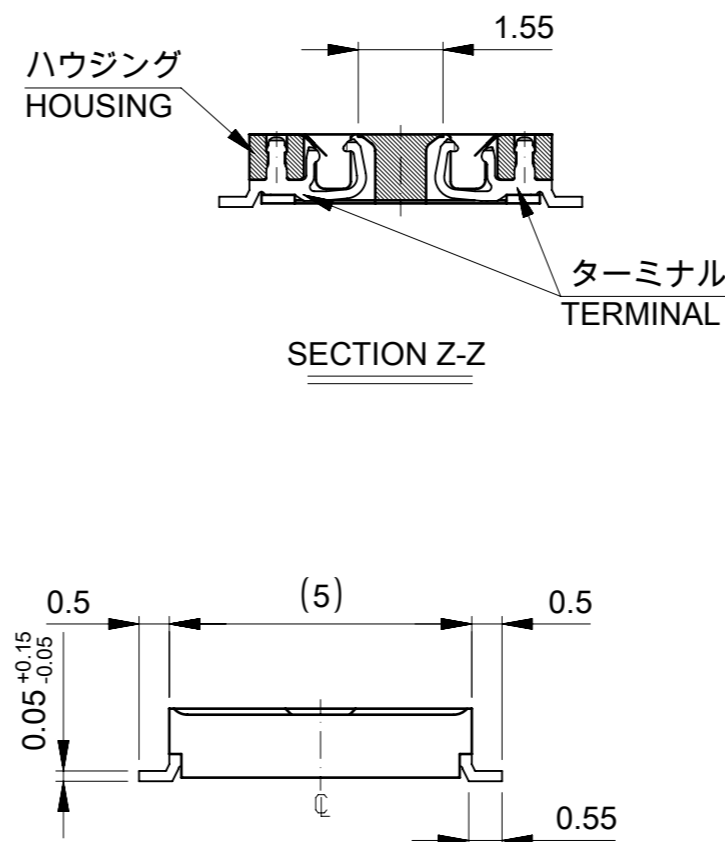
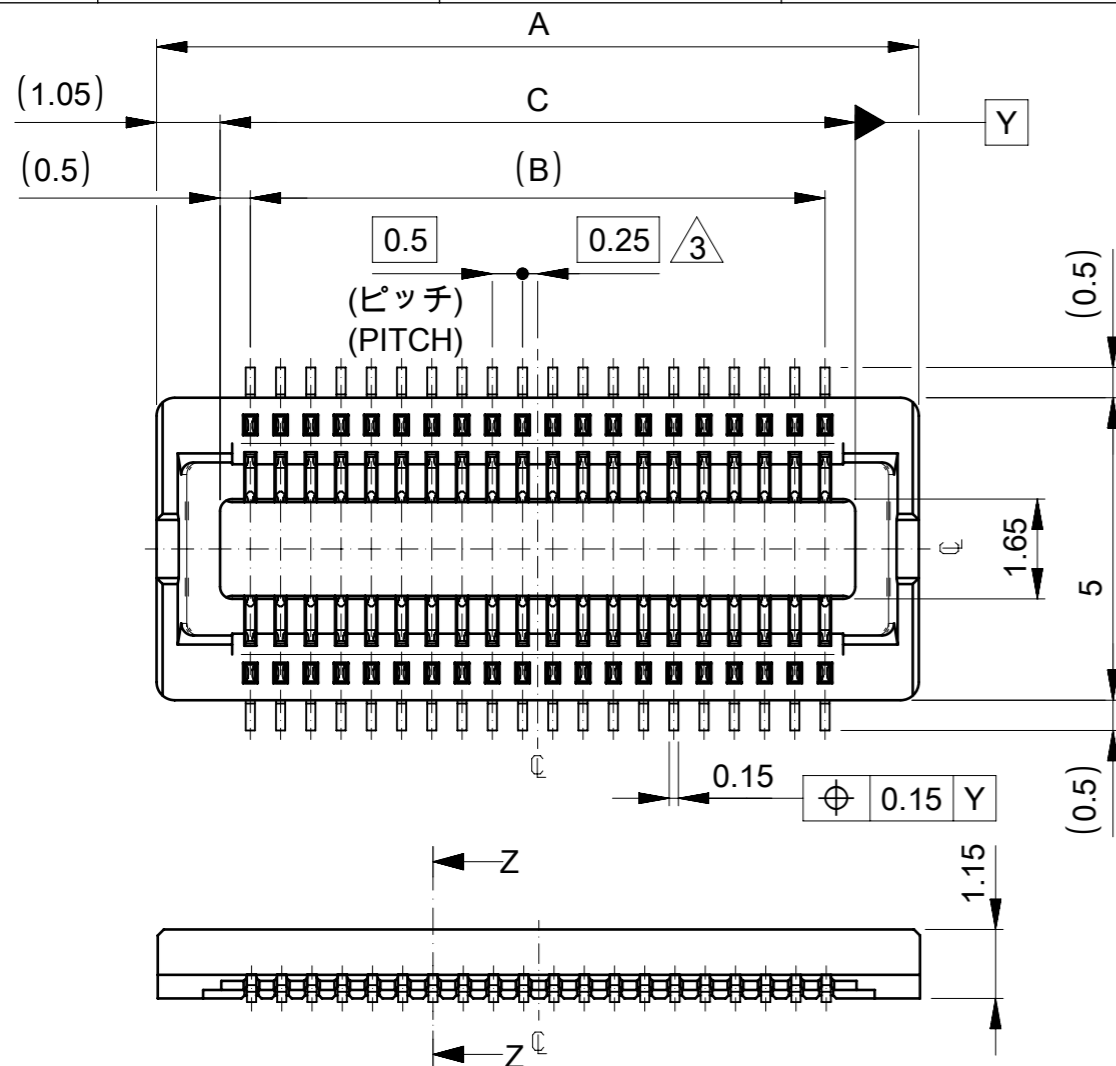
物理

回路数 (已载入)	30
电路数 (最多)	30
颜色-树脂	黑色
耐用性(插拔次数) - 最多次数	30
符合灼热丝规范	否
锁定插接部位	无
插配长度	1.50mm
插配宽度	6.00mm
材料 - 金属	Phosphor Bronze
材料 - 接合部位电镀	金牌
材料 - 终端电镀	金牌
材料 - 树脂	High Temperature Thermoplastic
净重	96.601/mg
行数	2
方向	垂直
包装形式	Embossed Tape on Reel
PCB 定位器	否
PCB 保持力	无
推荐的 PCB 厚度	1.60mm
间距 - 插配接口	0.50mm
PCB 极性	否
运行温度范围	-40° to +105° C
终端界面类型	Surface Mount

可配插/可连接使用的产品

可配插部件

描述	产品编号
0.50mm Pitch Vertical SlimStack Plugs	<u>55560</u>



30 極以下品形状
SHAPE OF 30 CIRCUITS OR LESS

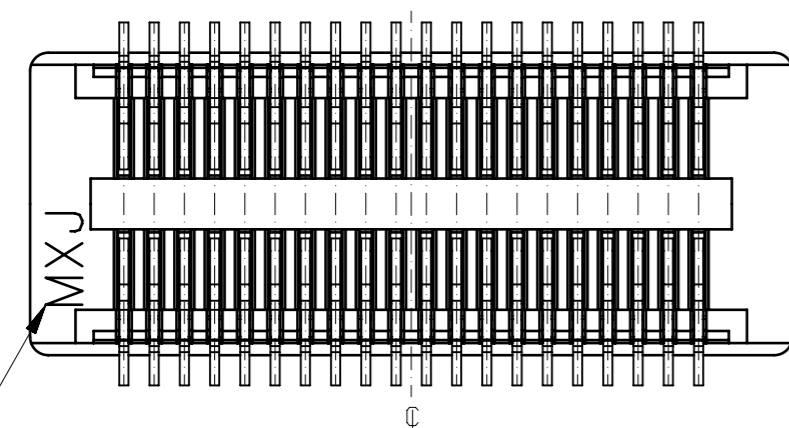
注記 NOTES:

- 使用材料 MATERIAL
ハウジング : 液晶ポリマーガラス充填, UL94V-0 (黒)
HOUSING : LIQUID CRYSTAL POLYMER (GLASS FILLED) UL94V-0 (COLOR:BLACK)
ターミナル : リン青銅 (t=0.15)
TERMINAL : PHOSPHOR BRONZE (t=0.15)
- メッキ仕様 PLATING
金メッキ 0.25 マイクロメートル以上 (コンタクト部)
GOLD 0.25 MICROMETER MINIMUM (CONTACT AREA).
金メッキ 0.4 マイクロメートル以下 (テール部)
GOLD 0.4 MICROMETER MAXIMUM (TAIL AREA).
下地メッキ: ニッケルメッキ 1.5 マイクロメートル以上
UNDER PLATING : NICKEL 1.5 MICROMETER MINIMUM.
*コンタクト部とテール部はニッケルメッキによって分断されている金メッキです。
DIVIDE INTO PARTS THE GOLD PLATING OF THE CONTACT AND THE TAIL PART BY THE NICKEL PLATING.

- (全極数 / 2) = 偶数の場合に適用。
APPLY FOR (CIRCUIT/2)=EVEN.
- 嵌合相手 : 55560シリーズ(嵌合高さ = 1.5mm)
MATE WITH : 55560 SERIES.(HEIGHT=1.5mm)
- テール平坦度は、0.1以下
TAIL COPLANARITY TO BE 0.1 MAXIMUM.

8.0	7.0	10.1	54722-0304	30
6.5	5.5	8.6	54722-0244	24
6.0	5.0	8.1	54722-0224	22
5.5	4.5	7.6	54722-0204	20
4.5	3.5	6.6	54722-0164	16
C	B	A	Emboss tape Package ORDER No. オーダー番号	極数 CIRCUIT

CONNECTOR SERIES No. 54722-***3



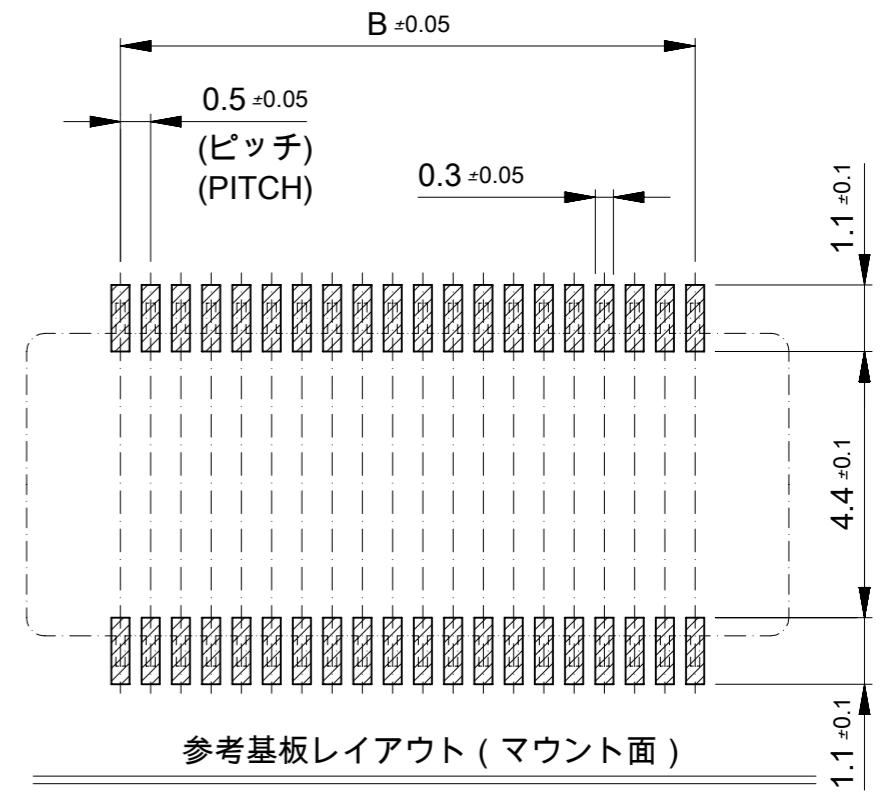
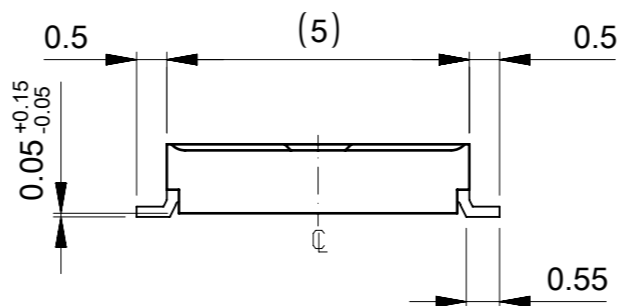
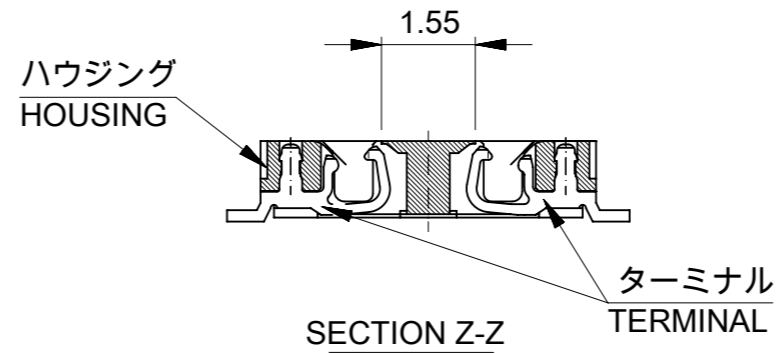
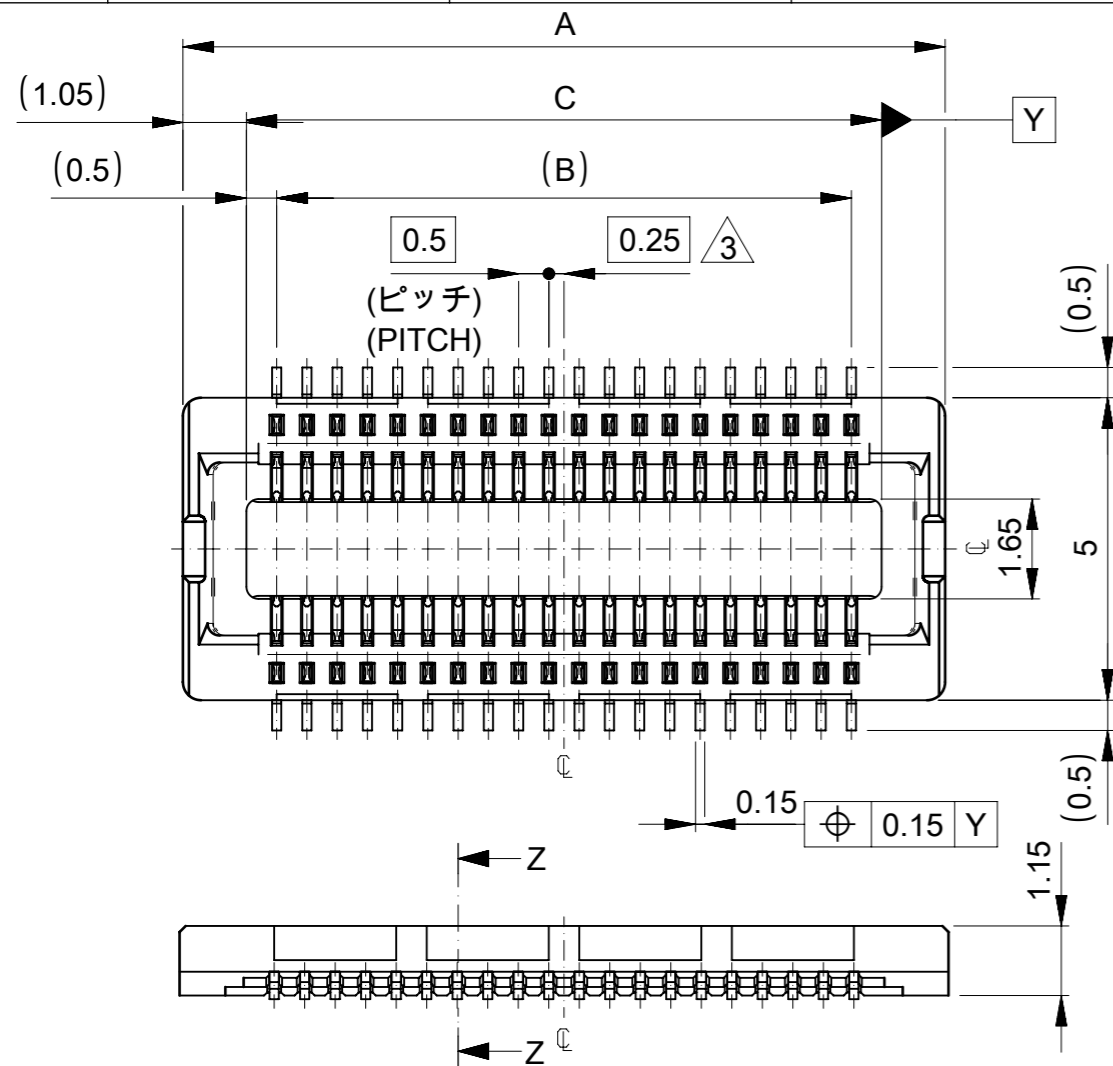
トレードマーク
TRADE MARK

THIS DRAWING CONTAINS INFORMATION THAT IS PROPRIETARY TO MOLEX ELECTRONIC TECHNOLOGIES, LLC AND SHOULD NOT BE USED WITHOUT WRITTEN PERMISSION

GENERAL TOLERANCES (UNLESS SPECIFIED)		mm	SCALE
0.25 ^{UNDER}	±0.2	8:1	
0.25 ^{OVER} 0.5 ^{UNDER}	±0.2		
0.5 ^{OVER} 1.0 ^{UNDER}	±0.2		
1.0 ^{OVER} 1.0 ^{UNDER}	±0.2		
1.0 ^{OVER} 3.0 ^{UNDER}	±0.25		
3.0 ^{OVER}	±0.3		
ANGULAR+3°			
DRAFT WHERE APPLICABLE MUST REMAIN WITHIN DIMENSIONS		DRAFT WHERE APPLICABLE MUST REMAIN WITHIN DIMENSIONS	

EC NO: 642297	DRWN: SCV	2020/07/29
CHK'D: HSHIMOMYAMA	2020/11/30	
APPR: SHOSHIKAWA	2020/11/30	
INITIAL REVISION:		
DRWN: T.ITO	2003/08/20	
APPR: T.YAMAGUCHI	2003/08/20	

molex			
0.5 MM PITCH B-TO-B CONN. HEIGHT = 1.5 RECEPTACLE			
PRODUCT CUSTOMER DRAWING			
DOCUMENT NUMBER	DOC TYPE	DOC PART	REVISION
SD-54722-011	PSD	001	D
MATERIAL NUMBER	CUSTOMER	SHEET NUMBER	
SEE TABLE	GENERAL	1 OF 3	



参考基板レイアウト (マウント面)
P.C.BOARD PATTERN DIMENSION (REFERENCE)
(MOUNTING AREA)

34 極以上品形状
SHAPE OF 34 CIRCUITS OR MORE

注記 NOTES:

1. 使用材料 MATERIAL

- ハウジング : 液晶ポリマーガラス充填, UL94V-0 (黒)
HOUSING : LIQUID CRYSTAL POLYMER (GLASS FILLED) UL94V-0 (COLOR:BLACK)
- ターミナル : リン青銅 (t=0.15)
TERMINAL : PHOSPHOR BRONZE (t=0.15)

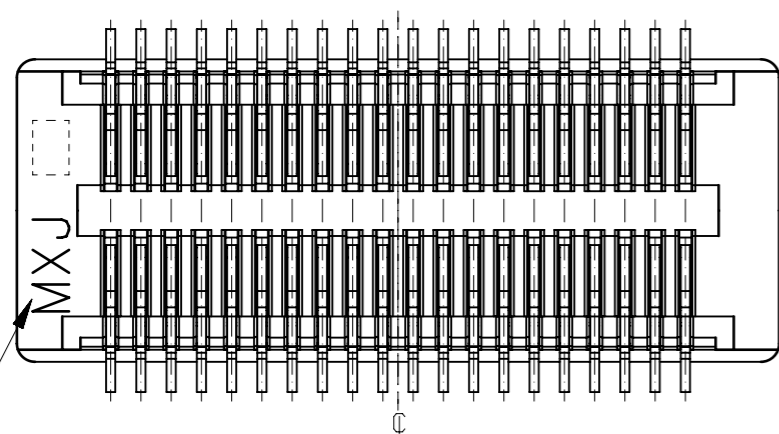
2. メッキ仕様 PLATING

- 金メッキ 0.25 マイクロメートル以上 (コンタクト部)
GOLD 0.25 MICROMETER MINIMUM (CONTACT AREA).
- 金メッキ 0.4 マイクロメートル以下 (テール部)
GOLD 0.4 MICROMETER MAXIMUM (TAIL AREA).
- 下地メッキ: ニッケルメッキ 1.5 マイクロメートル以上
UNDER PLATING : NICKEL 1.5 MICROMETER MINIMUM.

*コンタクト部とテール部はニッケルメッキによって分断されている金メッキです。

DIVIDE INTO PARTS THE GOLD PLATING OF THE CONTACT AND THE TAIL PART BY THE NICKEL PLATING.

- △ (全極数 / 2) = 偶数の場合に適用。
APPLY FOR (CIRCUIT/2)=EVEN.
- 4. 嵌合相手 : 55560シリーズ(嵌合高さ = 1.5mm)
MATE WITH : 55560 SERIES.(HEIGHT=1.5mm)
- 5. テール平坦度は、0.1以下
TAIL COPLANARITY TO BE 0.1 MAXIMUM.



トレードマーク
TRADE MARK

20.5	19.5	22.6	54722-0804	80
15.5	14.5	17.6	54722-0604	60
13.0	12.0	15.1	54722-0504	50
10.5	9.5	12.6	54722-0404	40
9.5	8.5	11.6	54722-0364	36
9.0	8.0	11.1	54722-0344	34
C	B	A	Emboss tape Package ORDER No. オーダー番号	極数 CIRCUIT

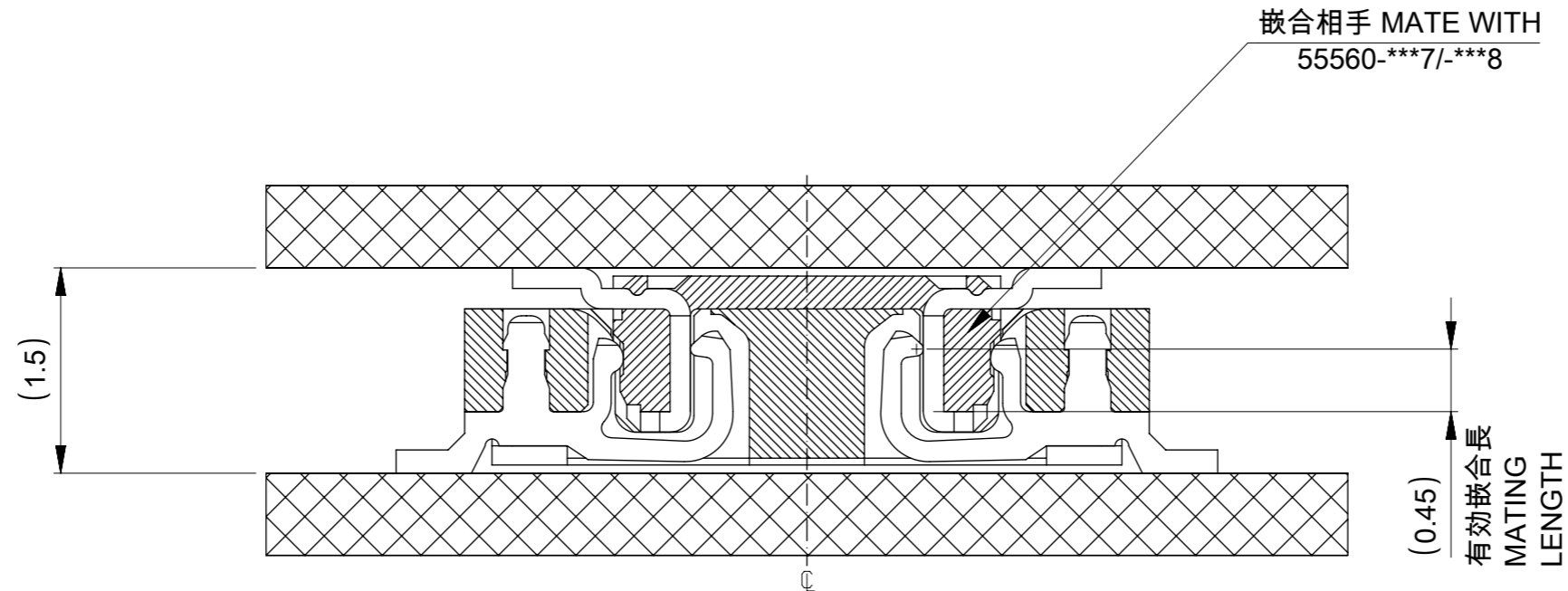
CONNECTOR SERIES No. 54722-***3

THIS DRAWING CONTAINS INFORMATION THAT IS PROPRIETARY TO MOLEX ELECTRONIC TECHNOLOGIES, LLC AND SHOULD NOT BE USED WITHOUT WRITTEN PERMISSION

GENERAL TOLERANCES (UNLESS SPECIFIED)		mm	SCALE
0.25 ^{UNDER}	±0.2		8:1
0.25 ^{OVER} 0.5 ^{UNDER}	±0.2		
0.5 ^{OVER} 1.0 ^{UNDER}	±0.2		
1.0 ^{OVER} 10 ^{UNDER}	±0.2		
10 ^{OVER} 30 ^{UNDER}	±0.25		
30 ^{OVER}	±0.3		
ANGULAR+3°			
DRAFT WHERE APPLICABLE MUST REMAIN WITHIN DIMENSIONS			

CURRENT REV DESC: REVISED		SCALE	
EC NO: 642297		8:1	
DRWN: SCV		2020/07/29	
CHK'D: HSHIMOMYAMA		2020/11/30	
APPR: SHOSHIKAWA		2020/11/30	
INITIAL REVISION:			
DRWN: T.ITO		2003/08/20	
APPR: T.YAMAGUCHI		2003/08/20	
THIRD ANGLE PROJECTION		DRAWING	
DRAWING		SERIES	
A3-SIZE		54722	

molex			
0.5 MM PITCH B-TO-B CONN. HEIGHT = 1.5 RECEPTACLE			
PRODUCT CUSTOMER DRAWING			
DOCUMENT NUMBER	DOC TYPE	DOC PART	REVISION
SD-54722-011	PSD	001	D
MATERIAL NUMBER	CUSTOMER	SHEET NUMBER	
SEE TABLE	GENERAL	2 OF 3	

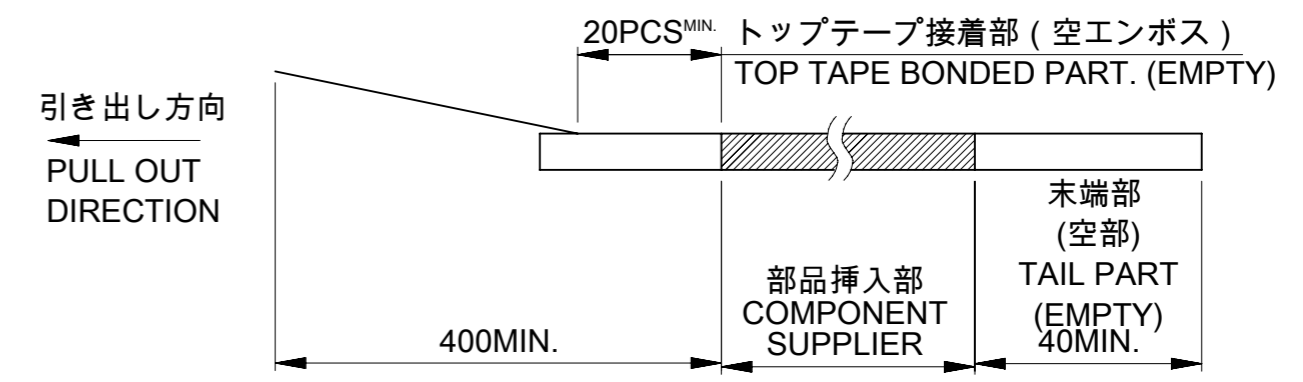
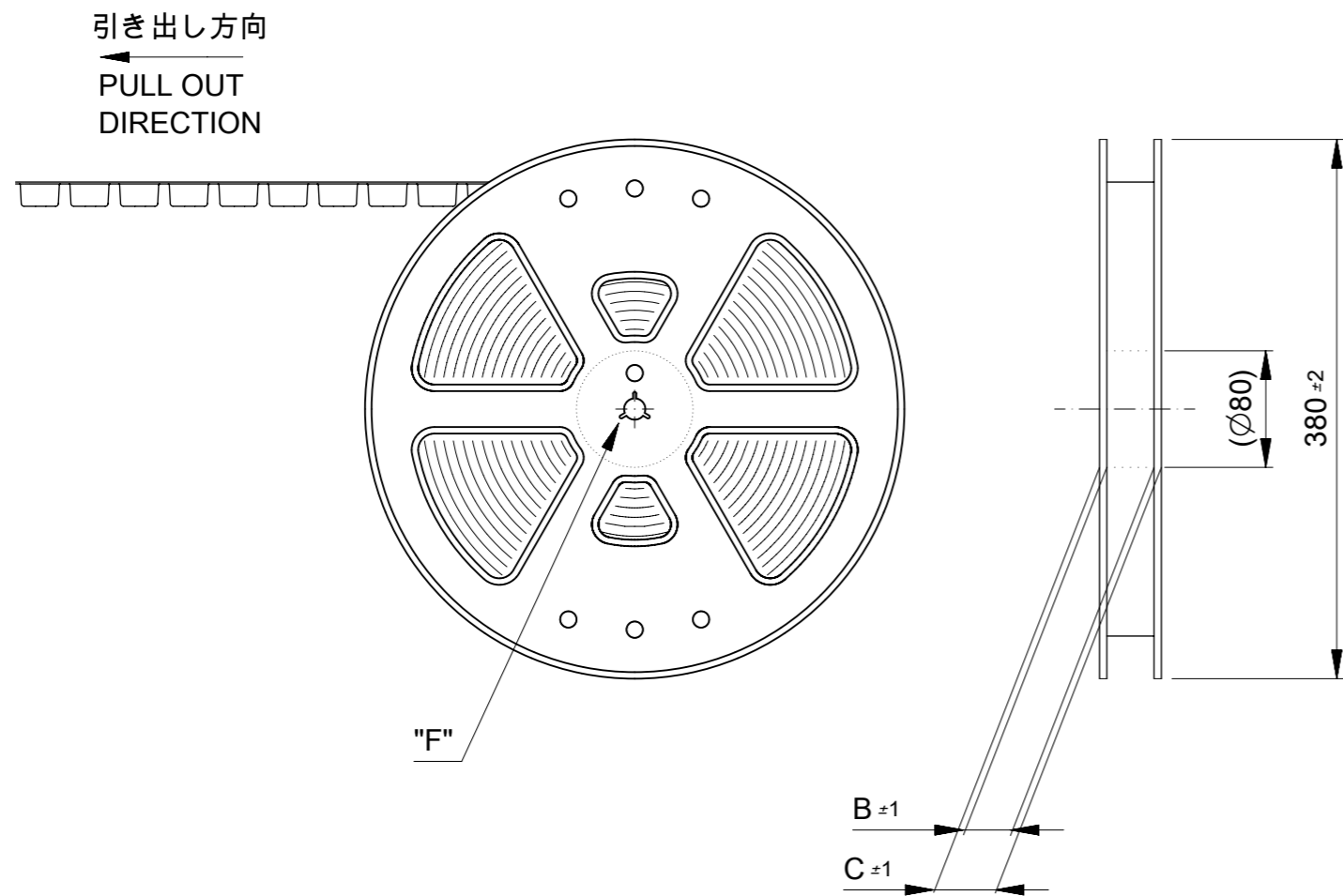


嵌合断面図 (参考)
MATED DRAWING (REF.)

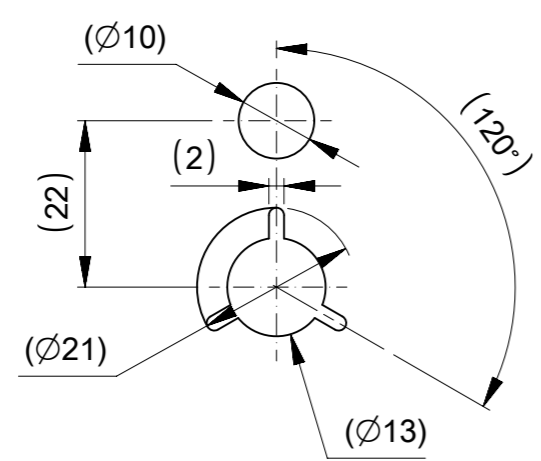
GENERAL TOLERANCES (UNLESS SPECIFIED)		DIMENSION UNITS		SCALE		THIS DRAWING CONTAINS INFORMATION THAT IS PROPRIETARY TO MOLEX ELECTRONIC TECHNOLOGIES, LLC AND SHOULD NOT BE USED WITHOUT WRITTEN PERMISSION											
0.25 ^{OVER}	±0.2	mm		20:1		CURRENT REV DESC: REVISED											
0.25 ^{UNDER}	±0.2	GENERAL TOLERANCES (UNLESS SPECIFIED)		ANGULAR TOL		EC NO: 642297											
0.5 ^{OVER}	±0.2	4 PLACES		±		DRWN: SCV 2020/07/29											
1.0 ^{OVER}	±0.2	3 PLACES		±		CHK'D: HSHIMOYAMA 2020/11/30											
10 ^{OVER}	±0.25	2 PLACES		±		APPR: SHOSHIKAWA 2020/11/30											
30 ^{OVER}	±0.3	1 PLACE		±		INITIAL REVISION:											
ANGULAR+3°	±	0 PLACES		±		DRWN: T.ITO 2003/08/20											
DRAFT WHERE APPLICABLE MUST REMAIN WITHIN DIMENSIONS		DRAFT WHERE APPLICABLE MUST REMAIN WITHIN DIMENSIONS		THIRD ANGLE PROJECTION		DRAWING		SERIES		DOCUMENT NUMBER		DOC TYPE		DOC PART		REVISION	
						A3-SIZE		54722		SD-54722-011		PSD		001		D	
MATERIAL NUMBER		CUSTOMER		SHEET NUMBER						SEE TABLE		GENERAL		3 OF 3			

注記 NOTE

- 製品詳細寸法については図面 SD-54722-011 を参照下さい。
DETAIL DIMENSIONS, SEE SD-54722-011
- 梱包数量 : 3000個 / リール
NUMBER OF CONNECTORS : 3000PCS/REEL
- リードテープ長さ LEAD TAPE LENGTH

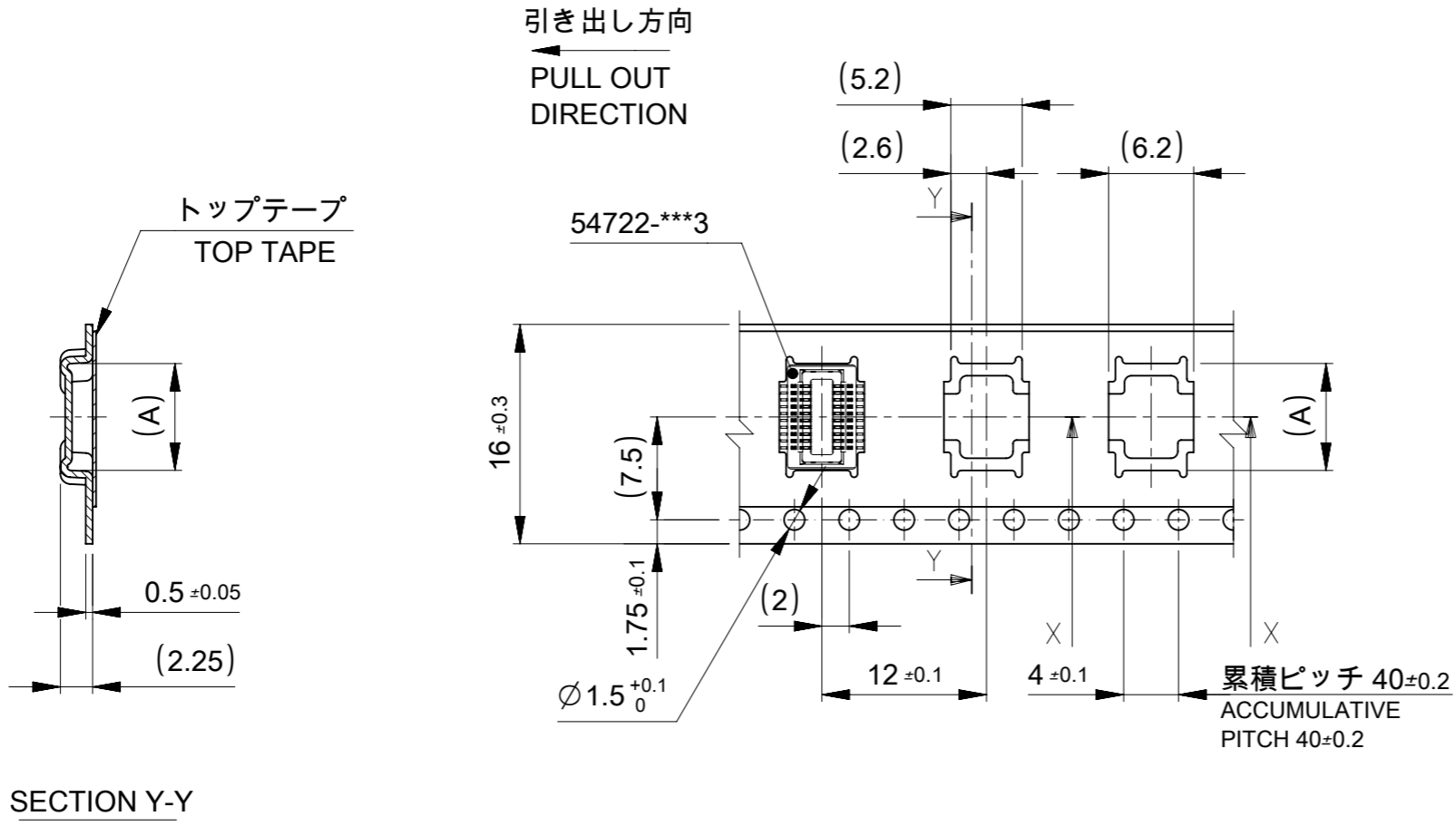


- カバーテープの剥離強度については、IEC60286-3に準拠
COVER TAPE PEEL FORCE IS DEFINED BY IEC60286-3.
- 材料 (MATERIAL)
キャリアテープ (CARRIER TAPE) : ポリプロピレン (POLYPROPYLENE)
トップテープ (TOP TAPE) : PET, PE, PEF
リール (REEL) : ポリスチレン (PS) <リサイクル材を含む>
POLYSTYRENE(PS) <RECYCLE MATERIAL CONTAINED >



DETAIL "F"

THIS DRAWING CONTAINS INFORMATION THAT IS PROPRIETARY TO MOLEX ELECTRONIC TECHNOLOGIES, LLC AND SHOULD NOT BE USED WITHOUT WRITTEN PERMISSION		CURRENT REV DESC: REVISED		molex	
DIMENSION UNITS	SCALE	EC NO: 649457			
mm	NTS	DRWN: SCV 2020/07/29		PRODUCT CUSTOMER DRAWING	
GENERAL TOLERANCES (UNLESS SPECIFIED)		CHK'D: HSHIMOYAMA 2020/12/02		DOCUMENT NUMBER	
ANGULAR TOL ± °		APPR: SHOSHIKAWA 2020/12/02		SD-54722-012	
4 PLACES ±		INITIAL REVISION:		DOC TYPE DOC PART REVISION	
3 PLACES ±		DRWN: T.ITO 2003/08/20		PSD 001 D	
2 PLACES ±		APPR: Y.YAMAGUCHI 2003/08/20		MATERIAL NUMBER	
1 PLACE ±		SERIES		CUSTOMER	
0 PLACES ±		A3-SIZE 54722		GENERAL	
DRAFT WHERE APPLICABLE MUST REMAIN WITHIN DIMENSIONS		THIRD ANGLE PROJECTION		SHEET NUMBER	
DRAFT WHERE APPLICABLE MUST REMAIN WITHIN DIMENSIONS		DRAWING		1 OF 5	



16 mm幅キャリアテープ
16mm WIDTH CARRIER TAPE

16	21.4	17.4	6.8	54722-0204	20
				54722-0164	16
キャリアテープ幅 CARRIER TAPE WIDTH			C	B	(A)
				MATERIAL NO.	極数 CIRCUIT

THIS DRAWING CONTAINS INFORMATION THAT IS PROPRIETARY TO MOLEX ELECTRONIC TECHNOLOGIES, LLC AND SHOULD NOT BE USED WITHOUT WRITTEN PERMISSION

mm NTS

GENERAL TOLERANCES (UNLESS SPECIFIED)

10 ^{UNDER}	±0.2
10 ^{OVER} 30 ^{UNDER}	±0.25
30 ^{OVER}	±0.3

ANGULAR TOL ± °

4 PLACES	±
3 PLACES	±
2 PLACES	±
1 PLACE	±
0 PLACES	±

DRAFT WHERE APPLICABLE MUST REMAIN WITHIN DIMENSIONS

THIRD ANGLE PROJECTION

DRAWING A3-SIZE

SERIES 54722

MATERIAL NUMBER SEE TABLE

CUSTOMER GENERAL

SHEET NUMBER 2 OF 5

EC NO: 649457
DRWN: SCV
CHK'D: HSHIMUYAMA
APPR: SHOSHIKAWA

INITIAL REVISION:
DRWN: T.ITO
APPR: Y.YAMAGUCHI

2020/07/29
2020/12/02
2020/12/02

2003/08/20
2003/08/20

DOCUMENT NUMBER SD-54722-012

DOC TYPE PSD

DOC PART 001

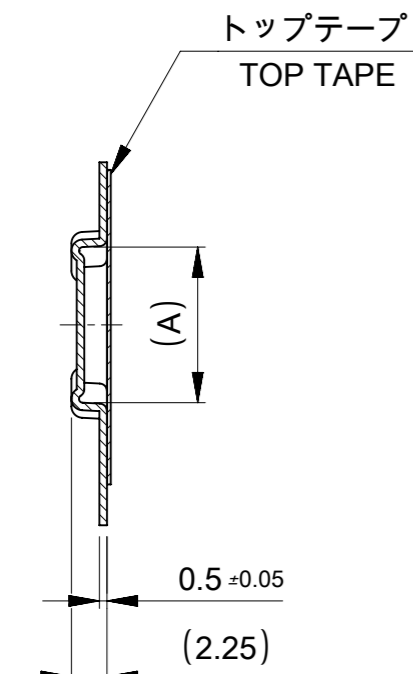
REVISION D

molex

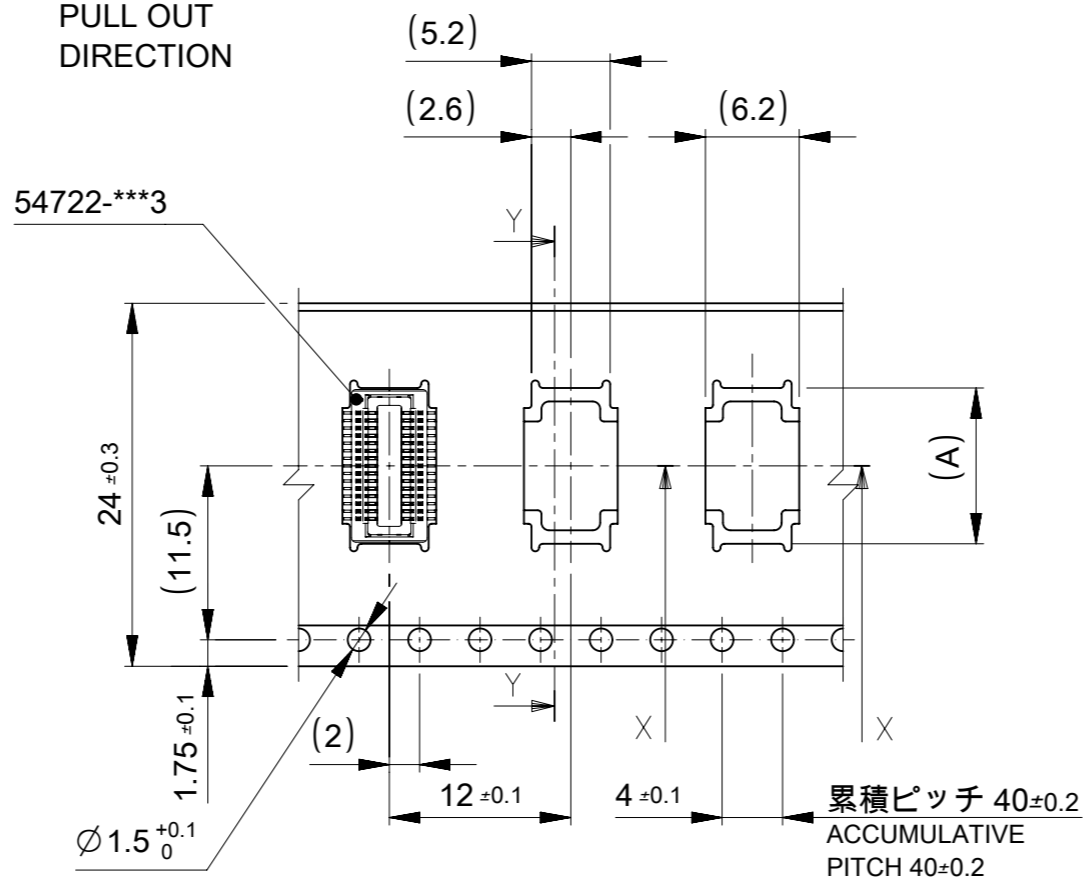
0.5 MM PITCH B-TO-B CONN.
HEIGHT = 1.5 RECEPTACLE EMBOSS TAPE
PACKAGE

PRODUCT CUSTOMER DRAWING

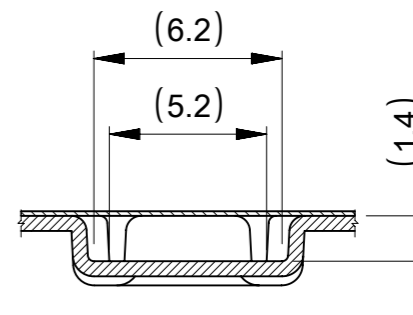
引き出し方向
 ←
 PULL OUT
 DIRECTION



SECTION Y-Y



24 mm幅キャリアテープ
 24mm WIDTH CARRIER TAPE



SECTION X-X

24	29.4	25.4	15.3	54722-0504	50		
			12.8	54722-0404	40		
			11.8	54722-0364	36		
			11.3	54722-0344	34		
			10.3	54722-0304	30		
			8.8	54722-0244	24		
			8.3	54722-0224	22		
キャリアテープ幅 CARRIER TAPE WIDTH			C	B	(A)	MATERIAL NO.	極数 CIRCUIT

THIS DRAWING CONTAINS INFORMATION THAT IS PROPRIETARY TO MOLEX ELECTRONIC TECHNOLOGIES, LLC AND SHOULD NOT BE USED WITHOUT WRITTEN PERMISSION

DIMENSION UNITS: mm SCALE: NTS

CURRENT REV DESC: REVISED

molex

0.5 MM PITCH B-TO-B CONN.
 HEIGHT = 1.5 RECEPTACLE EMBOSS TAPE
 PACKAGE

PRODUCT CUSTOMER DRAWING

EC NO: 649457
 DRWN: SCV 2020/07/29
 CHK'D: HSHIMOMYAMA 2020/12/02
 APPR: SHOSHIKAWA 2020/12/02

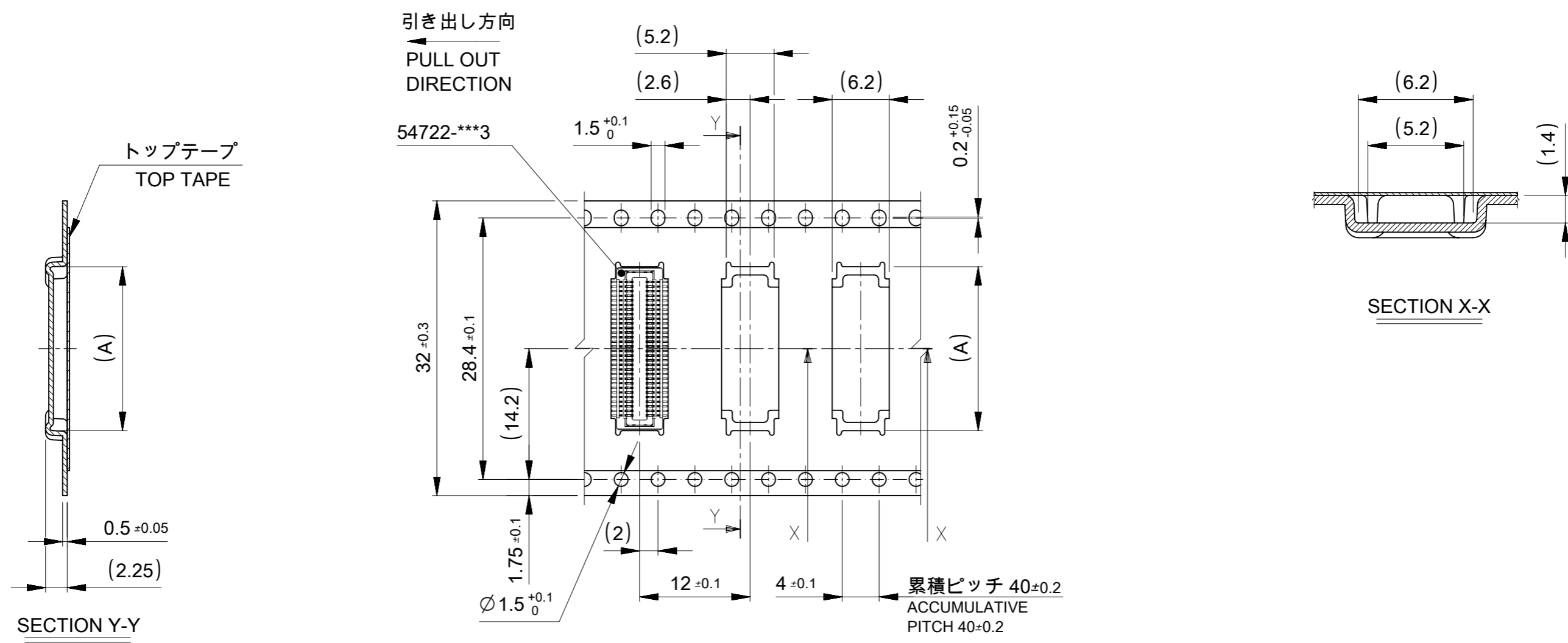
INITIAL REVISION:
 DRWN: T.ITO 2003/08/20
 APPR: Y.YAMAGUCHI 2003/08/20

DOCUMENT NUMBER: SD-54722-012 DOC TYPE: PSD DOC PART: 001 REVISION: D

DRAFT WHERE APPLICABLE MUST REMAIN WITHIN DIMENSIONS

THIRD ANGLE PROJECTION

DRAWING: A3-SIZE SERIES: 54722 MATERIAL NUMBER: SEE TABLE CUSTOMER: GENERAL SHEET NUMBER: 3 OF 5



32 mm幅キャリアテープ
32mm WIDTH CARRIER TAPE

32	37.4	33.4	17.8	54722-0604	60
キャリアテープ幅 CARRIER TAPE WIDTH		C	B	(A) MATERIAL NO.	極数 CIRCUIT

THIS DRAWING CONTAINS INFORMATION THAT IS PROPRIETARY TO MOLEX ELECTRONIC TECHNOLOGIES, LLC AND SHOULD NOT BE USED WITHOUT WRITTEN PERMISSION

mm NTS SCALE

GENERAL TOLERANCES (UNLESS SPECIFIED)

ANGULAR TOL ± °

4 PLACES ±

3 PLACES ±

2 PLACES ±

1 PLACE ±

0 PLACES ±

EC NO: 649457
DRWN: SCV
CHK'D: HSHIMUYAMA
APPR: SHOSHIKAWA

2020/07/29
2020/12/02
2020/12/02

INITIAL REVISION:
DRWN: T.ITO
APPR: Y.YAMAGUCHI

2003/08/20
2003/08/20

DOCUMENT NUMBER: SD-54722-012
DOC TYPE: PSD
DOC PART: 001
REVISION: D

THIRD ANGLE PROJECTION

DRAWING: A3-SIZE

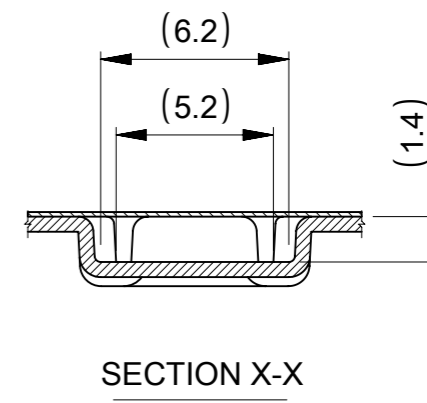
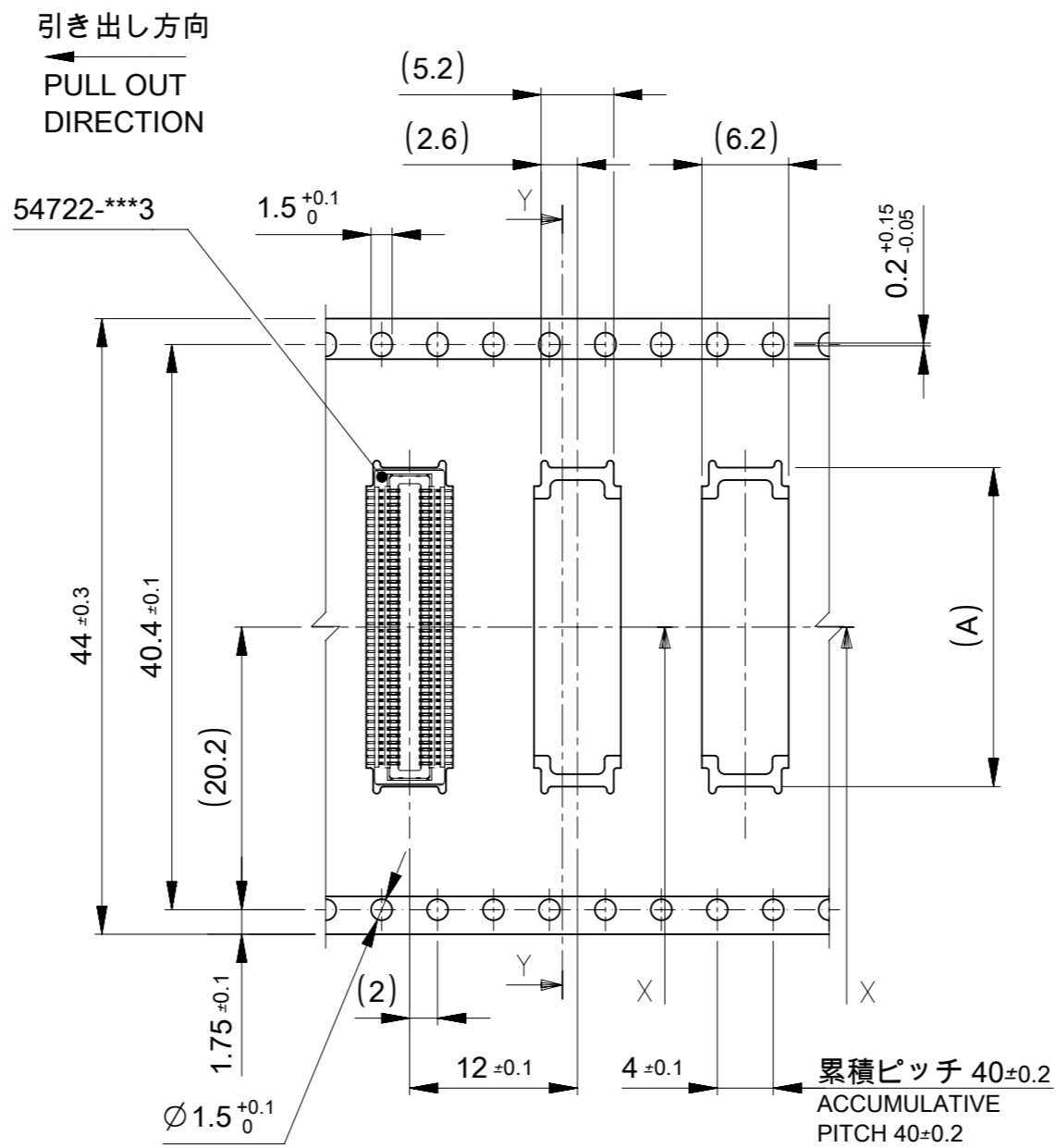
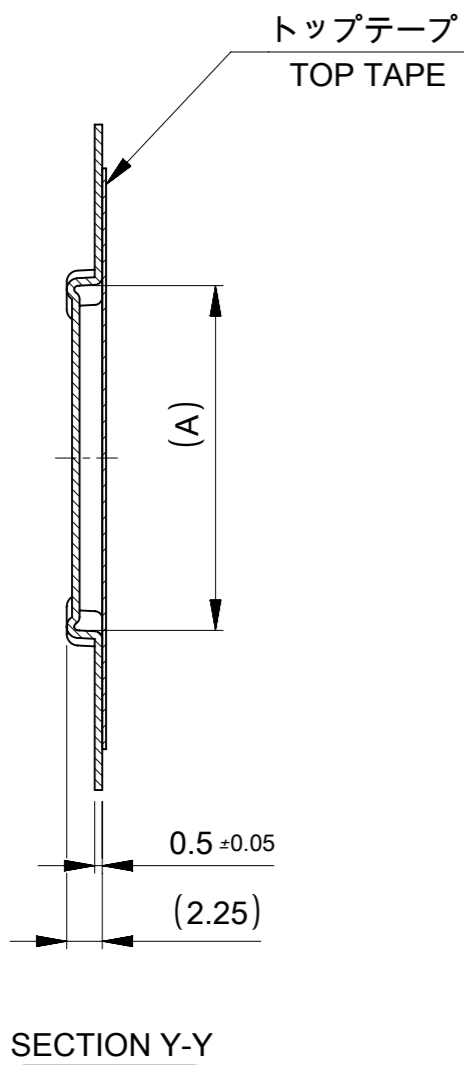
SERIES: 54722

MATERIAL NUMBER: SEE TABLE

CUSTOMER: GENERAL

SHEET NUMBER: 4 OF 5

GENERAL TOLERANCES (UNLESS SPECIFIED)	
10 ^{UNDER}	±0.2
10 ^{OVER} 30 ^{UNDER}	±0.25
30 ^{OVER}	±0.3
ANGULAR ±3°	
DRAFT WHERE APPLICABLE MUST REMAIN WITHIN DIMENSIONS	



44 mm幅キャリアテープ
44mm WIDTH CARRIER TAPE

44	49.4	45.4	22.8	54722-0804	80
キャリアテープ幅 CARRIER TAPE WIDTH	C	B	(A)	MATERIAL NO.	極数 CIRCUIT

THIS DRAWING CONTAINS INFORMATION THAT IS PROPRIETARY TO MOLEX ELECTRONIC TECHNOLOGIES, LLC AND SHOULD NOT BE USED WITHOUT WRITTEN PERMISSION		CURRENT REV DESC: REVISED		molex	
DIMENSION UNITS mm	SCALE NTS				
GENERAL TOLERANCES (UNLESS SPECIFIED)		GENERAL TOLERANCES (UNLESS SPECIFIED)		0.5 MM PITCH B-TO-B CONN. HEIGHT = 1.5 RECEPTACLE EMBOSS TAPE PACKAGE	
ANGULAR TOL ± °		ANGULAR TOL ± °		PRODUCT CUSTOMER DRAWING	
4 PLACES ±		4 PLACES ±		DOCUMENT NUMBER	
3 PLACES ±		3 PLACES ±		SD-54722-012	
2 PLACES ±		2 PLACES ±		DOC TYPE	
1 PLACE ±		1 PLACE ±		PSD	
0 PLACES ±		0 PLACES ±		DOC PART	
DRAFT WHERE APPLICABLE MUST REMAIN WITHIN DIMENSIONS		DRAFT WHERE APPLICABLE MUST REMAIN WITHIN DIMENSIONS		REVISION	
THIRD ANGLE PROJECTION		DRAWING		D	
SERIES		MATERIAL NUMBER		SHEET NUMBER	
A3-SIZE		54722		5 OF 5	
SEE TABLE		GENERAL			